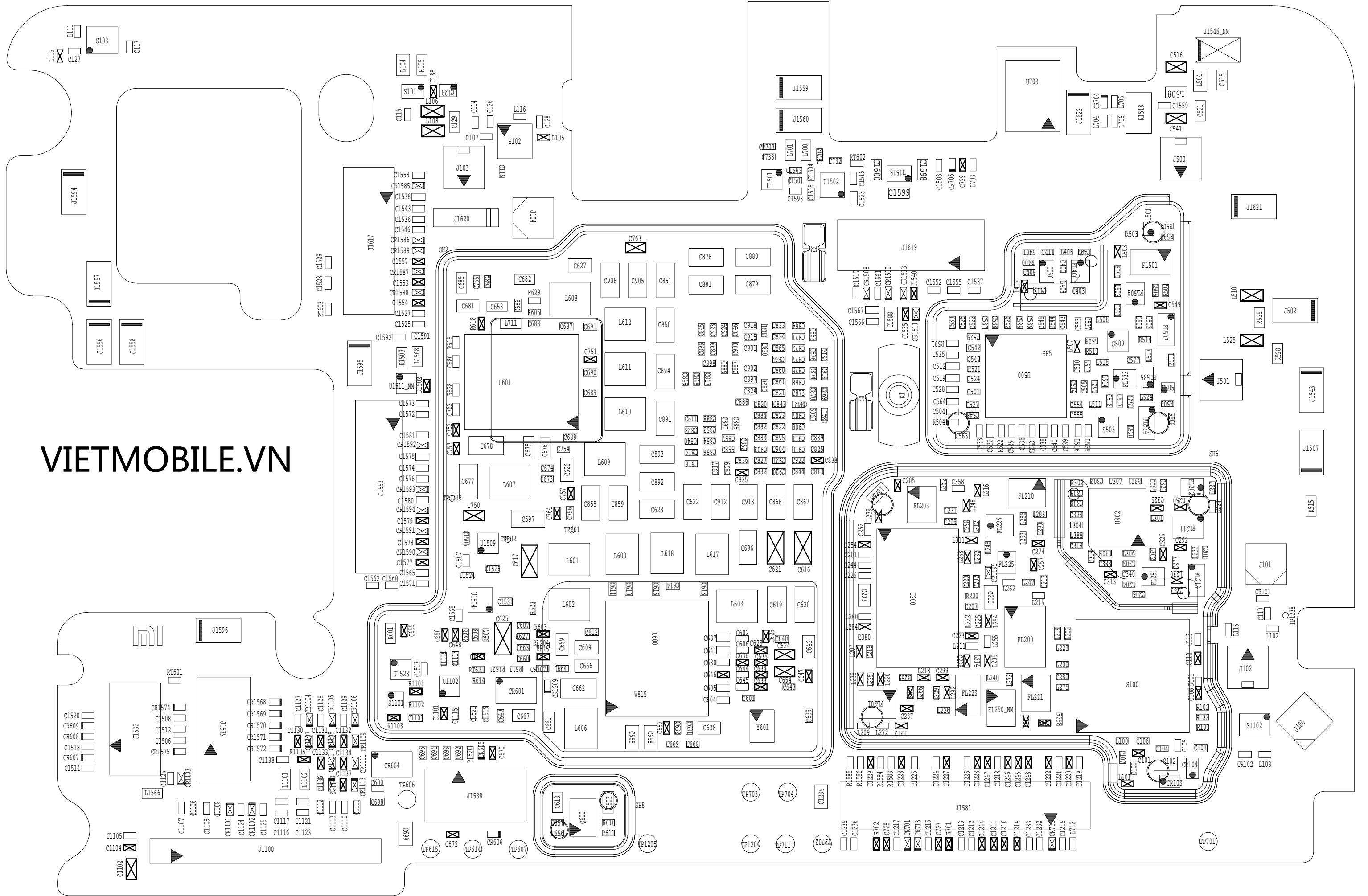
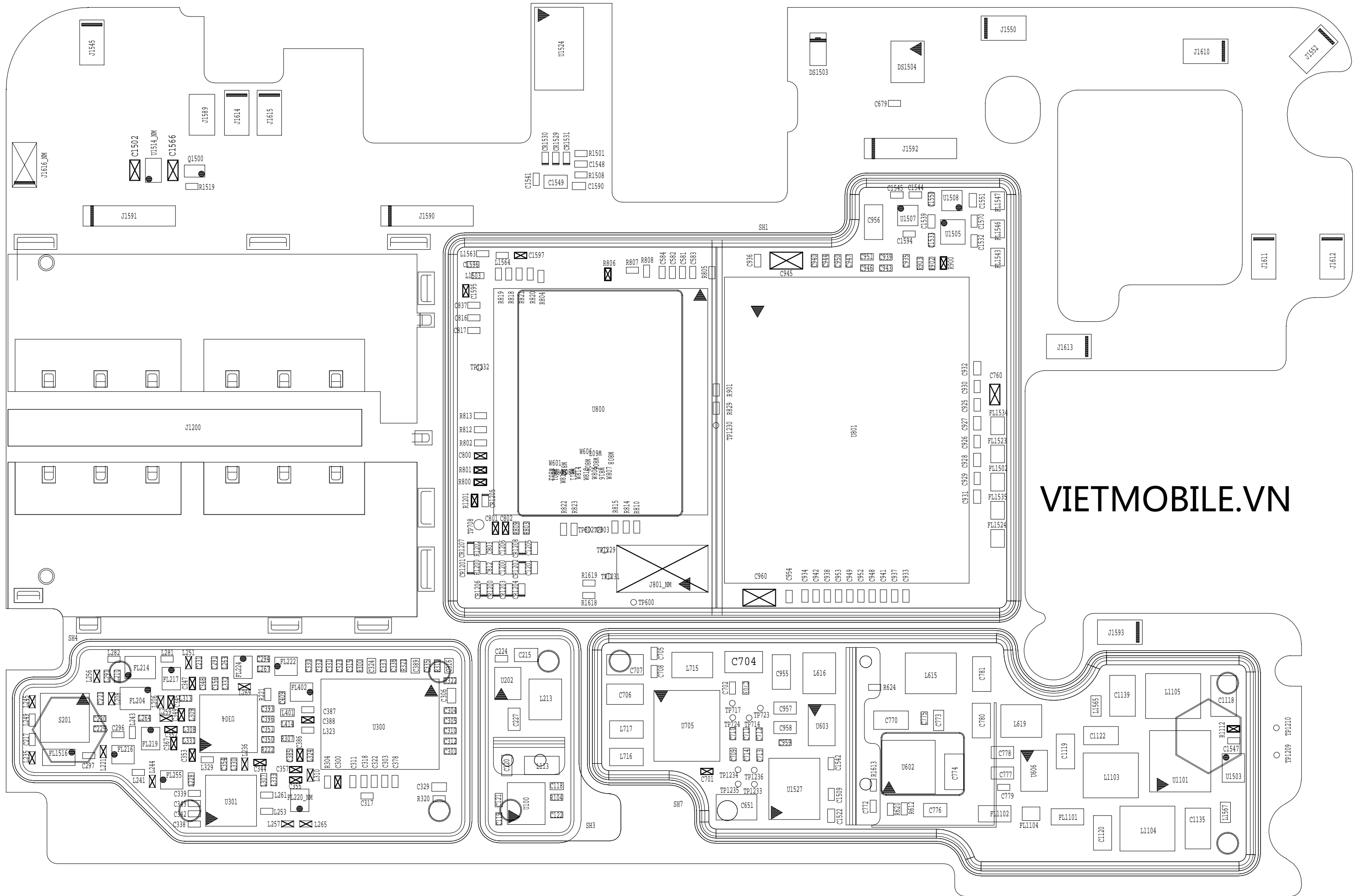


VIETMOBILE.VN

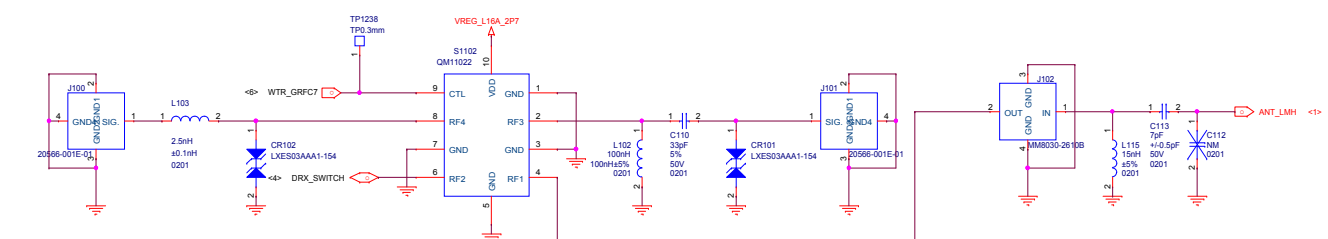
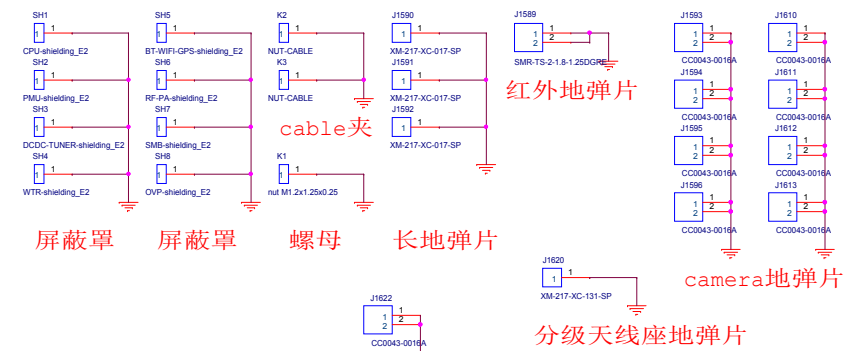
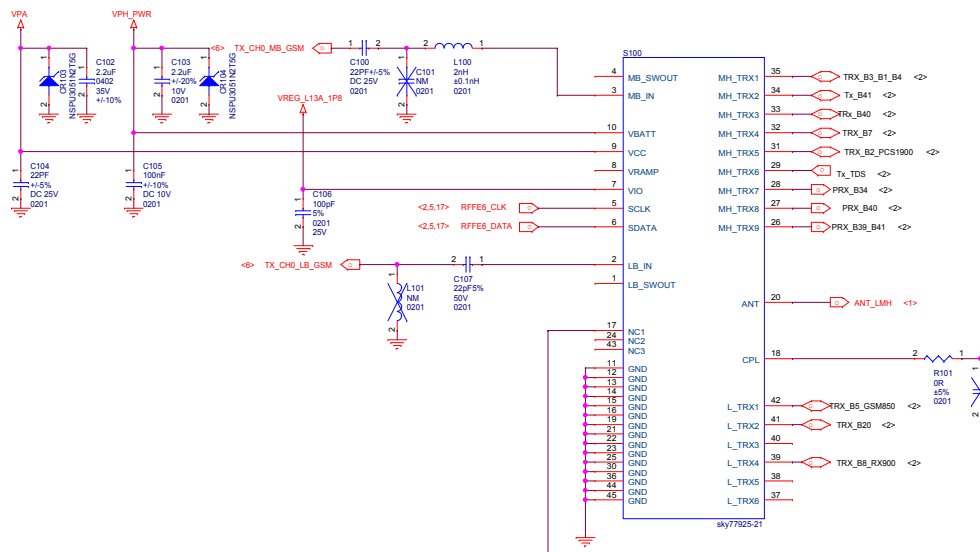




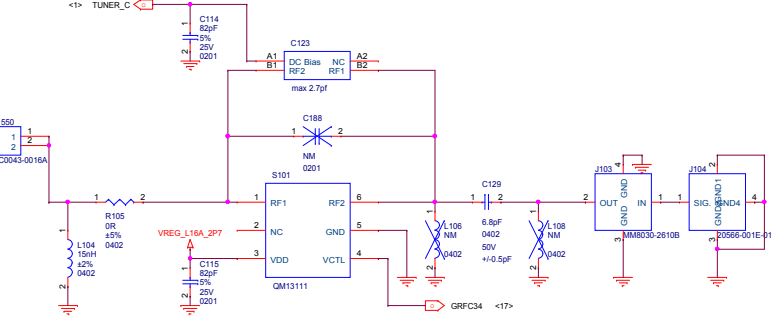
VIETMOBILE.VN

J1593

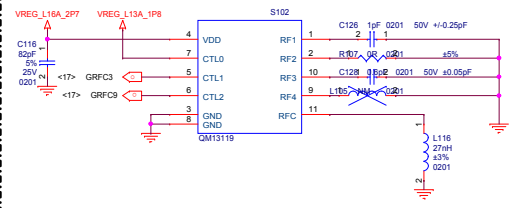
TP1209 TP1210



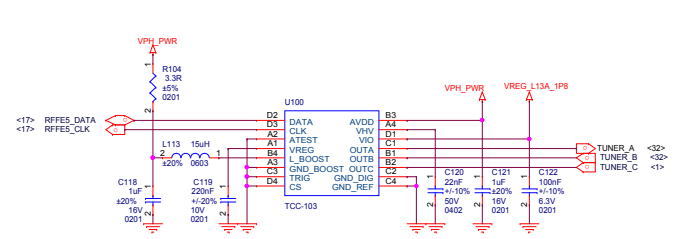
### DRX\_ANT



### DRX\_ANT\_GND

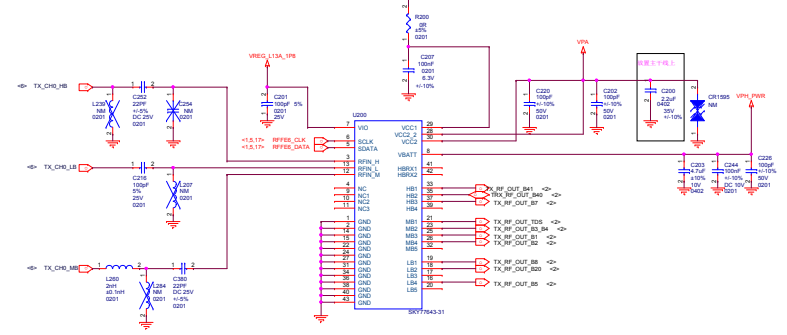


### TUNER\_CTR

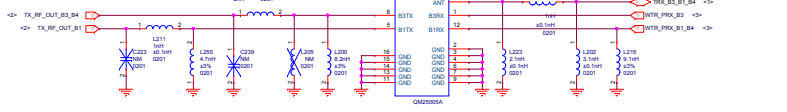


Tab	E2	Rev	P0
Size	Document Number	Rev	P0
A2	ANT CONDUCTORS&SWITCH		
Date	Monday, April 09, 2018	Sheet	1 of 37

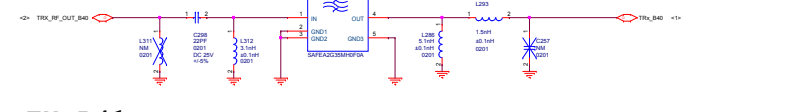
MMMB PA



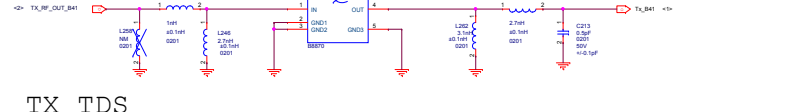
B1&B3



B40



TX B41



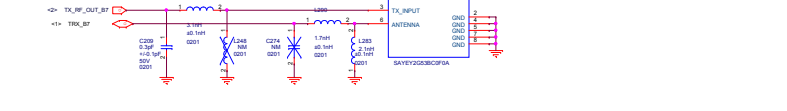
TX TDS



B2



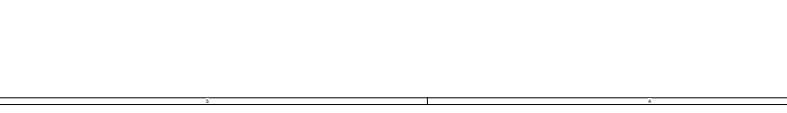
B3



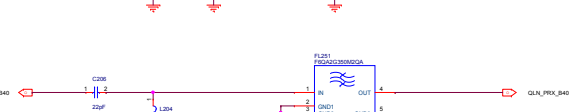
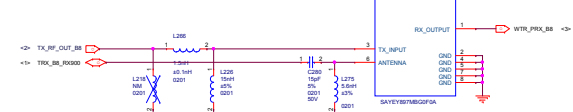
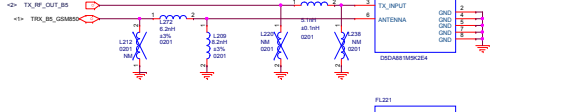
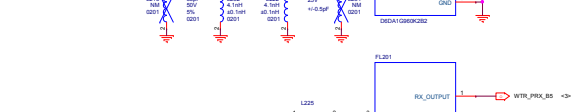
B7



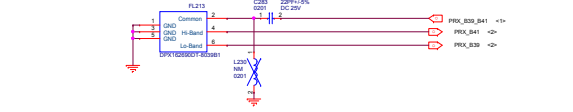
Thermal



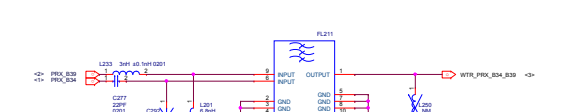
B2&B5&B8



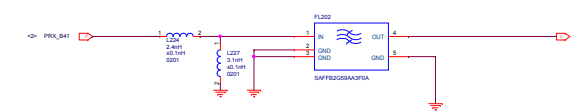
DIPLEXER B39 B41

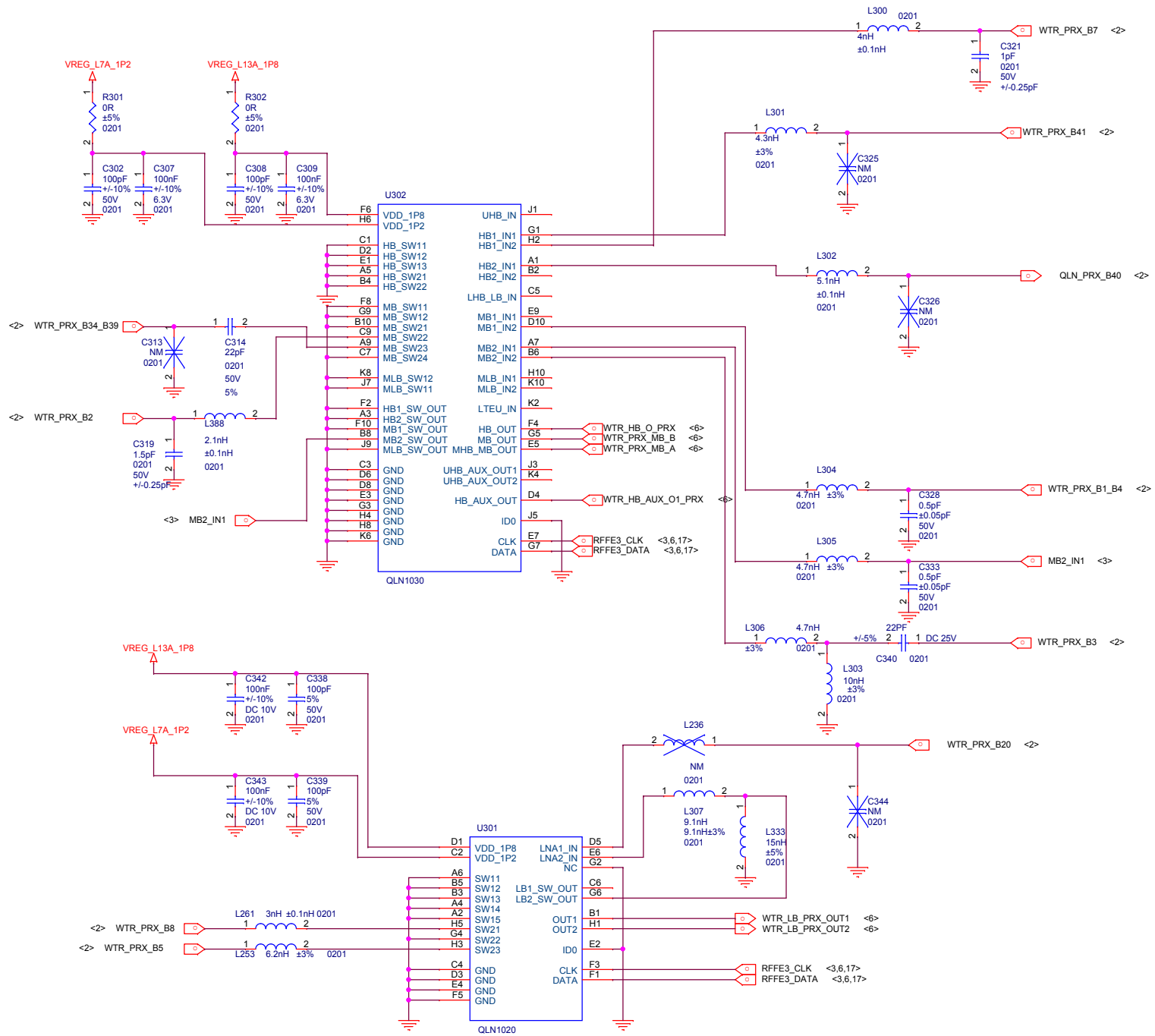


PRX B34 B39



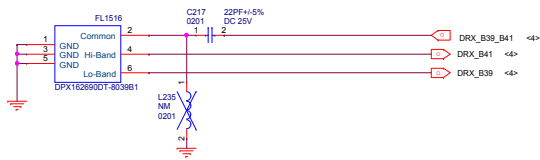
PRX B41



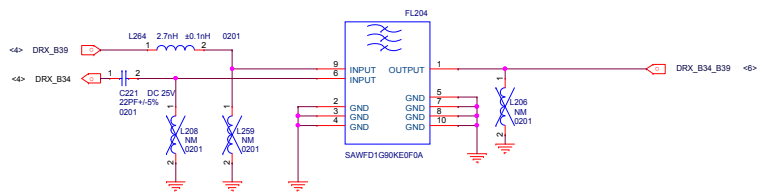


Title		
E2		
Size	Document Number	Rev
A3	BAND7&39&40&41	P0
Date:	Monday, April 09, 2018	Sheet 3 of 37

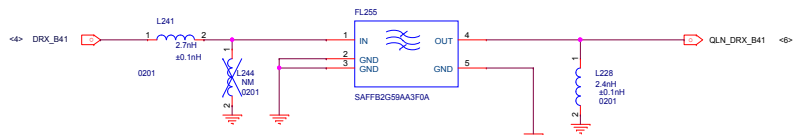
# DIPLEXER B39 B41



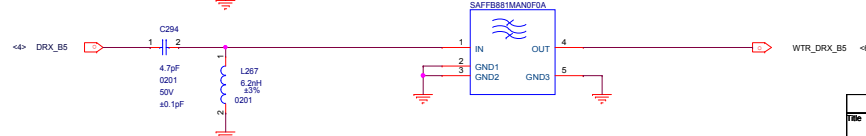
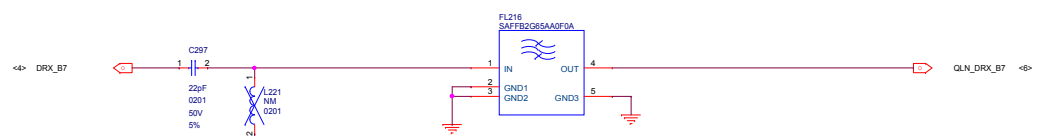
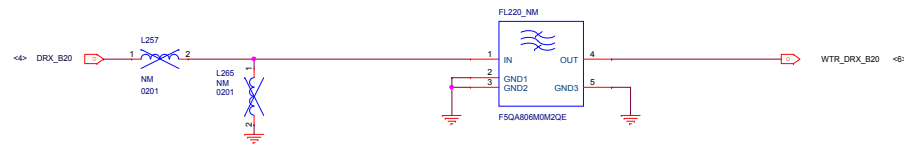
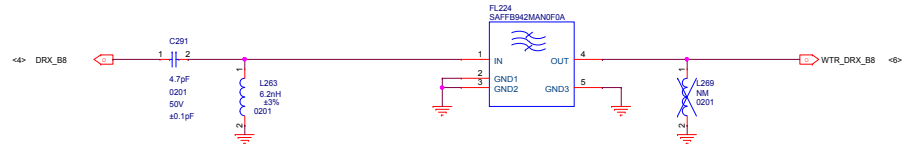
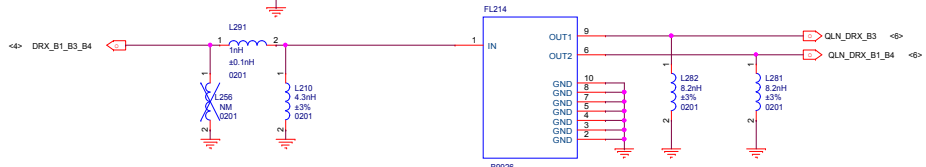
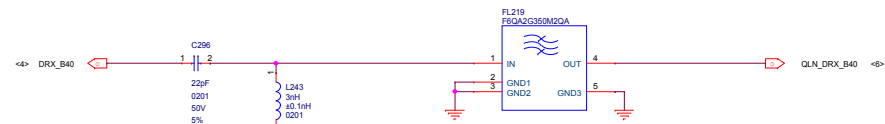
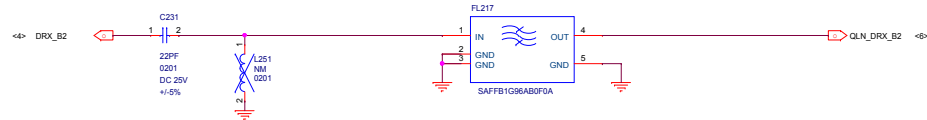
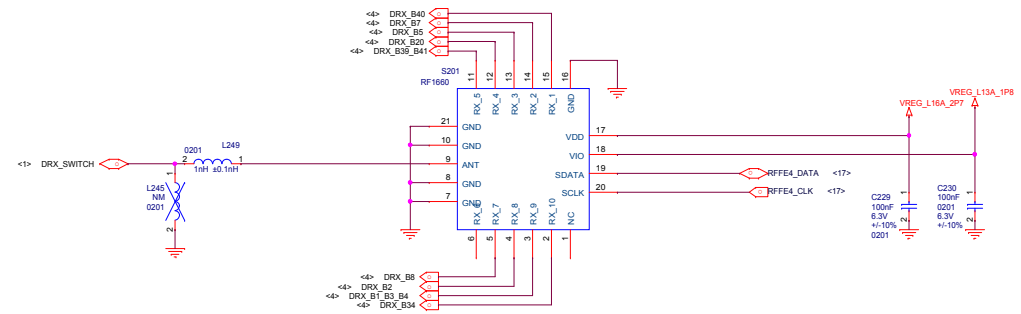
# DRX B34 B39



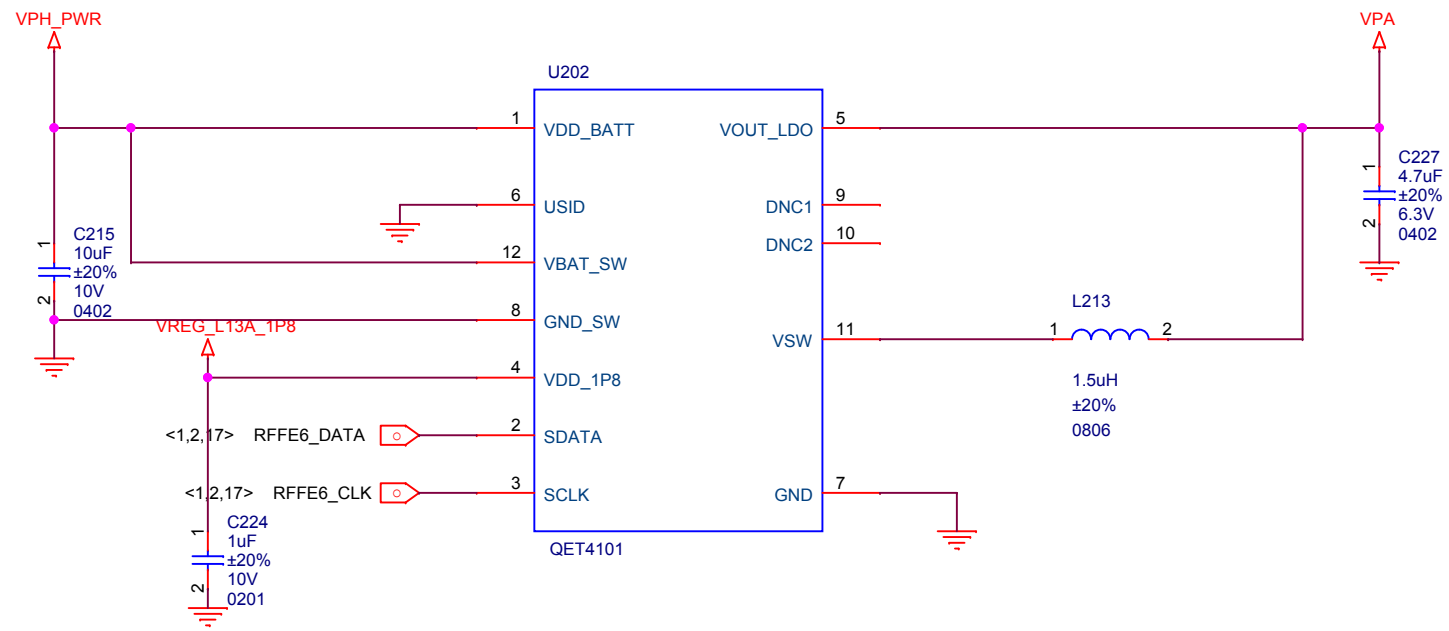
# DRX B41



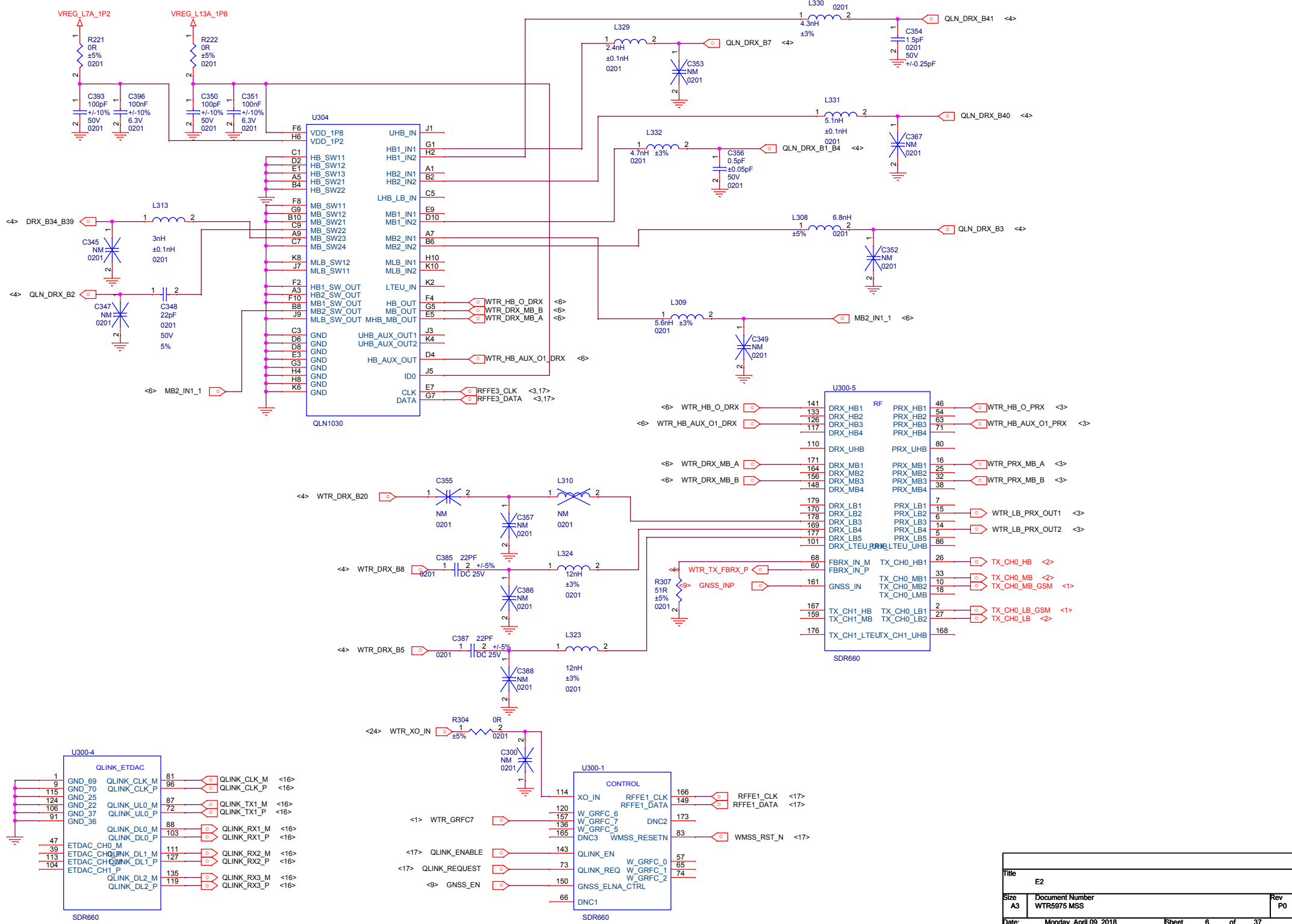
# DRX



File	EX	
Size	Document Number	Rev
A2	FILTERS&COMPONENTS/DRX_B	P0
Date:	Monday, April 09, 2018	Sheet 4 of 37



Title		
E2		
Size	Document Number	Rev
A4	QET4101	P0
Date:	Monday, April 09, 2018	Sheet 5 of 37



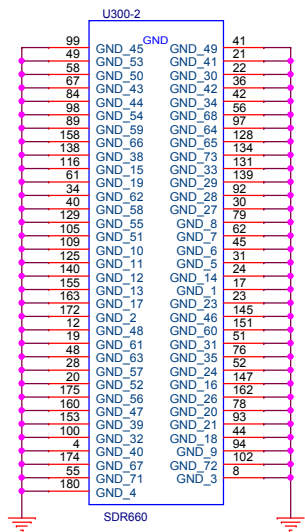
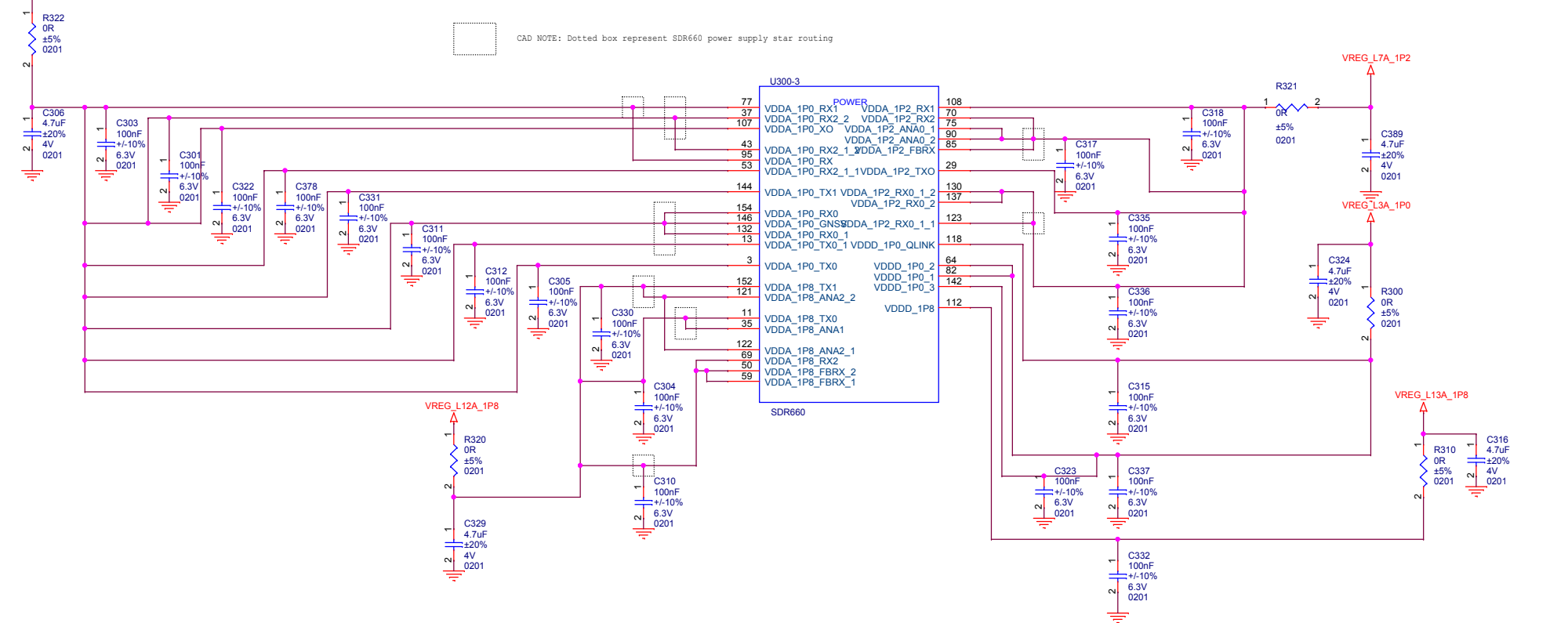
U300-5		RF	
DRX_HB1	141	PRX_HB1	46
DRX_HB2	133	PRX_HB2	54
DRX_HB3	126	PRX_HB3	63
DRX_HB4	117	PRX_HB4	71
DRX_UHB	110	PRX_UHB	80
DRX_MB1	171	PRX_MB1	16
DRX_MB2	164	PRX_MB2	25
DRX_MB3	156	PRX_MB3	32
DRX_MB4	148	PRX_MB4	38
DRX_LB1	179	PRX_LB1	7
DRX_LB2	170	PRX_LB2	15
DRX_LB3	178	PRX_LB3	6
DRX_LB4	169	PRX_LB4	14
DRX_LB5	177	PRX_LB5	5
DRX_LTEU_UHB	101	PRX_LTEU_UHB	86
FBRX_IN_M	68	TX_CH0_HB1	26
FBRX_IN_P	60	TX_CH0_MB1	33
GNSS_IN	161	TX_CH0_MB2	10
TX_CH1_HB	167	TX_CH0_LB1	18
TX_CH1_MB	159	TX_CH0_LB2	2
TX_CH1_LTEU	176	TX_CH0_LB3	27
		TX_CH1_UHB	168

Title		E2	
Size	A3	Document Number	WTR5975 MSS
Date:	Monday, April 09, 2018	Sheet	6 of 37
		Rev	P0

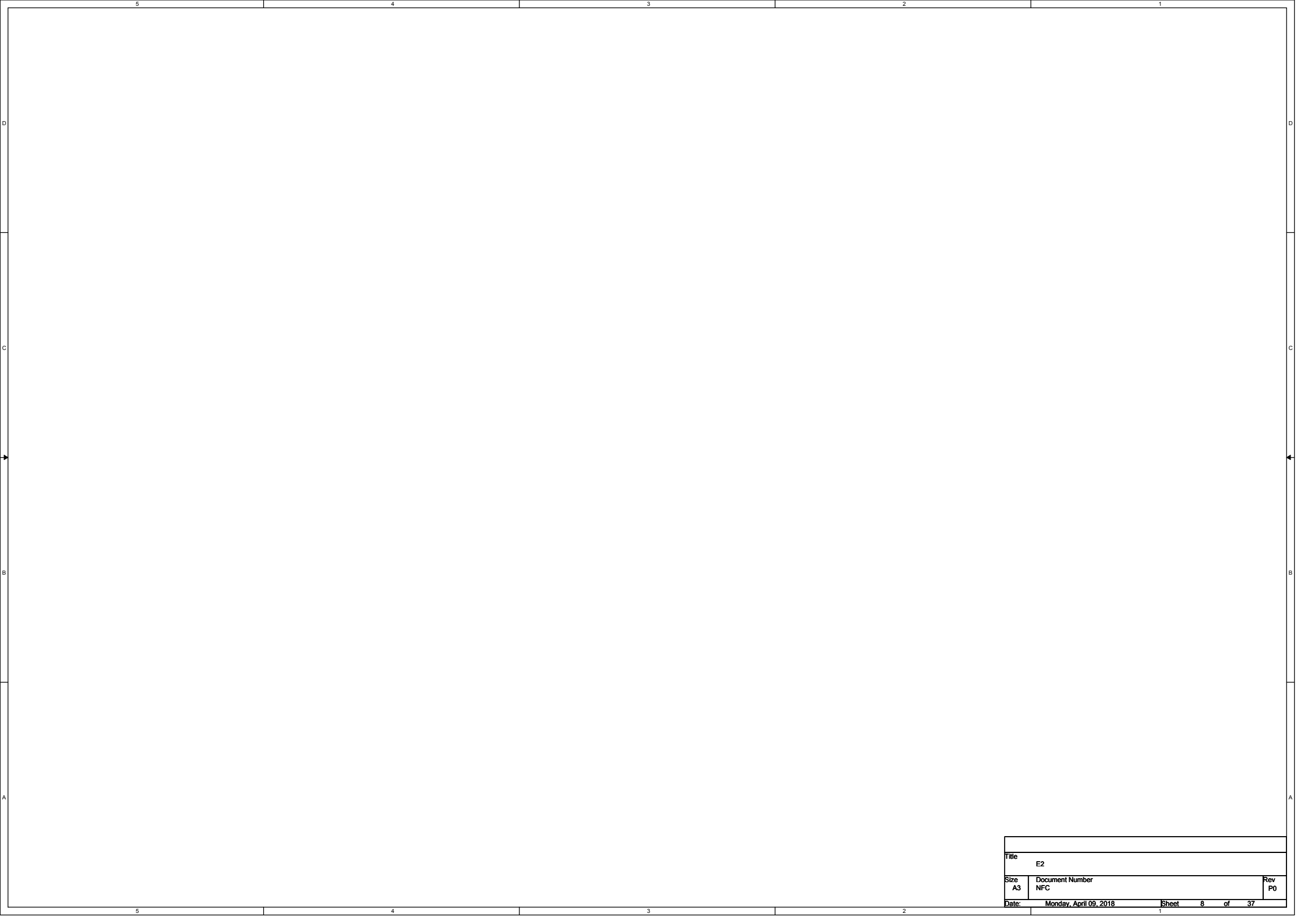


VREG\_L2A\_1P0

CAD NOTE: Dotted box represent SDR660 power supply star routing



Title		E2
Size	Document Number	Rev
A3	WTR5975 POWER	P0
Date:	Monday, April 09, 2018	Sheet 7 of 37



5

4

3

2

1

D

D

C

C

B

B

A

A

Title			
E2			
Size	Document Number	Rev	
A3	NFC	P0	
Date:	Monday, April 09, 2018	Sheet	8 of 37

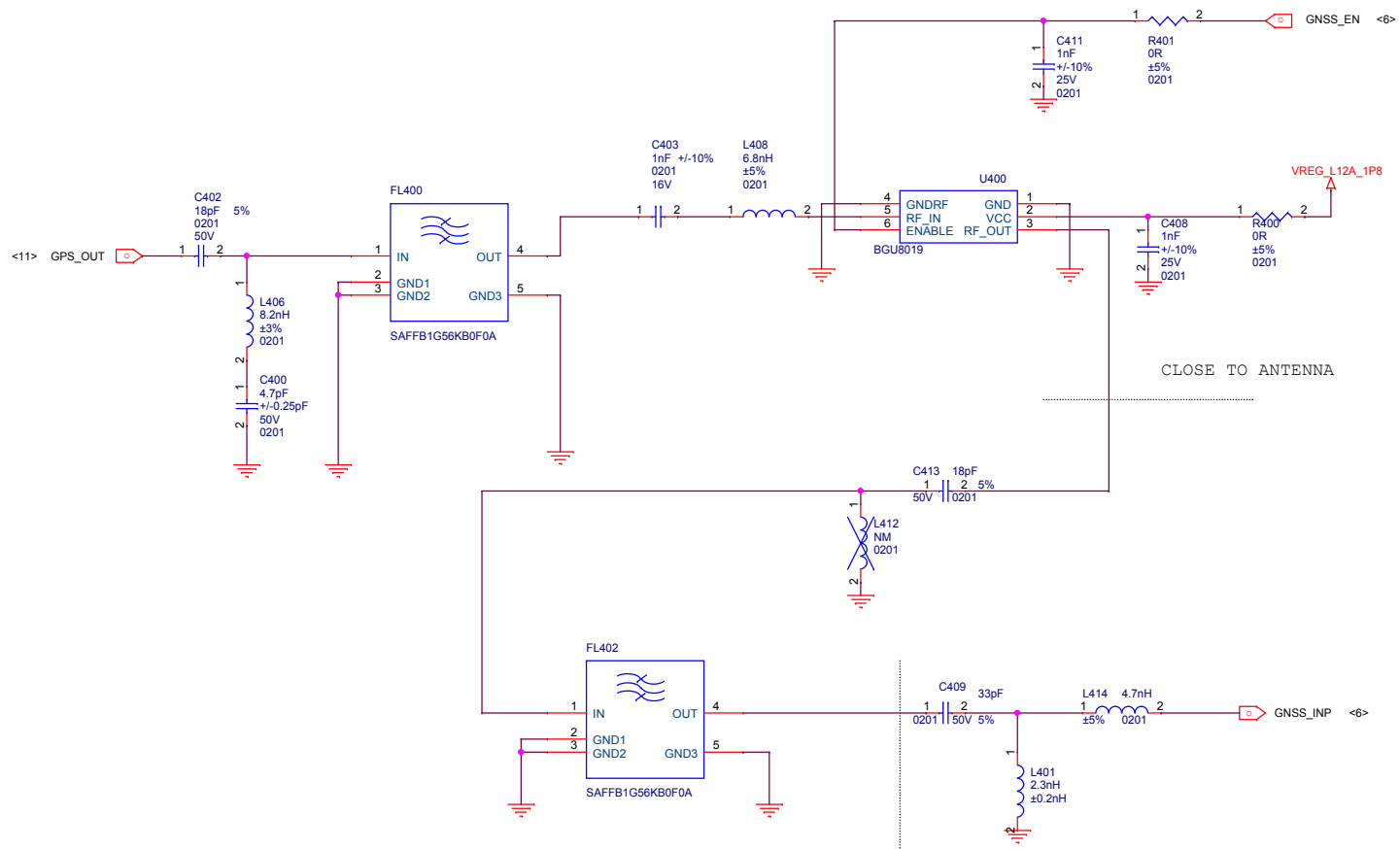
5

4

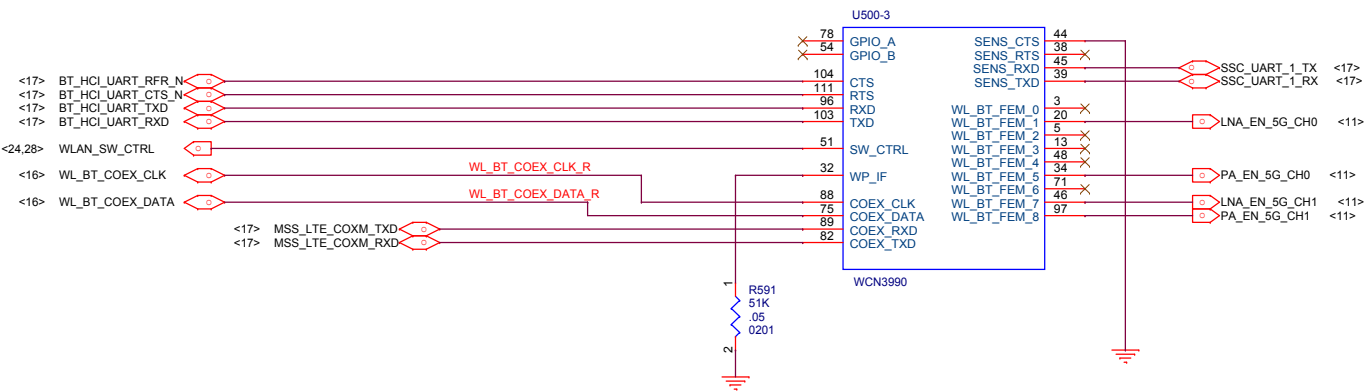
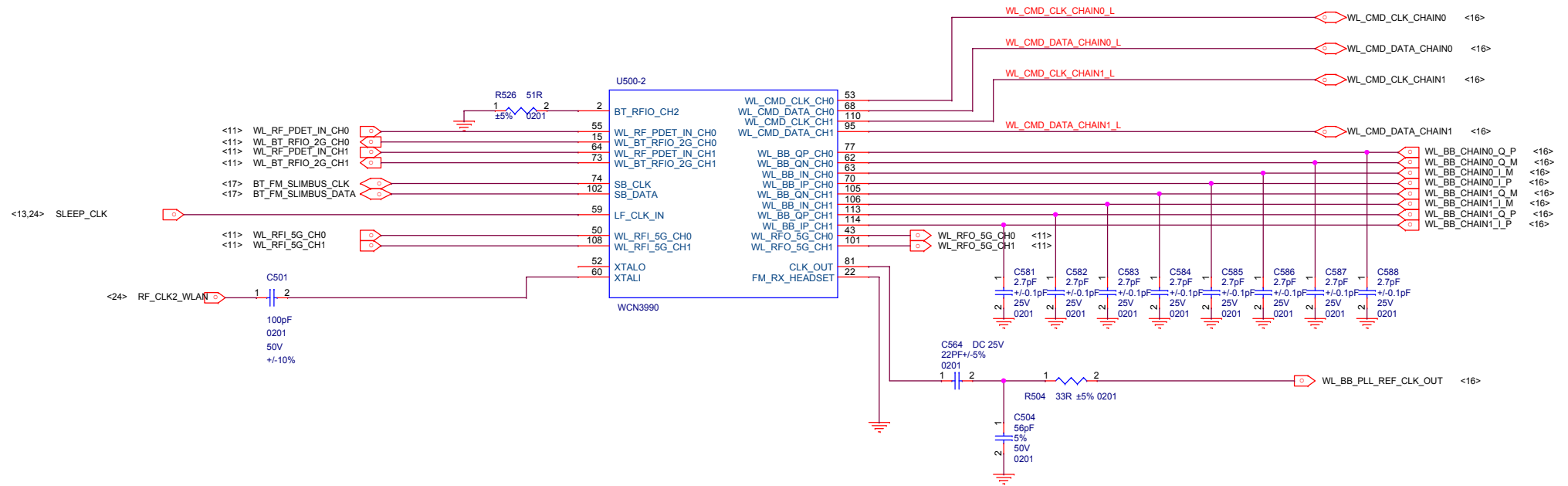
3

2

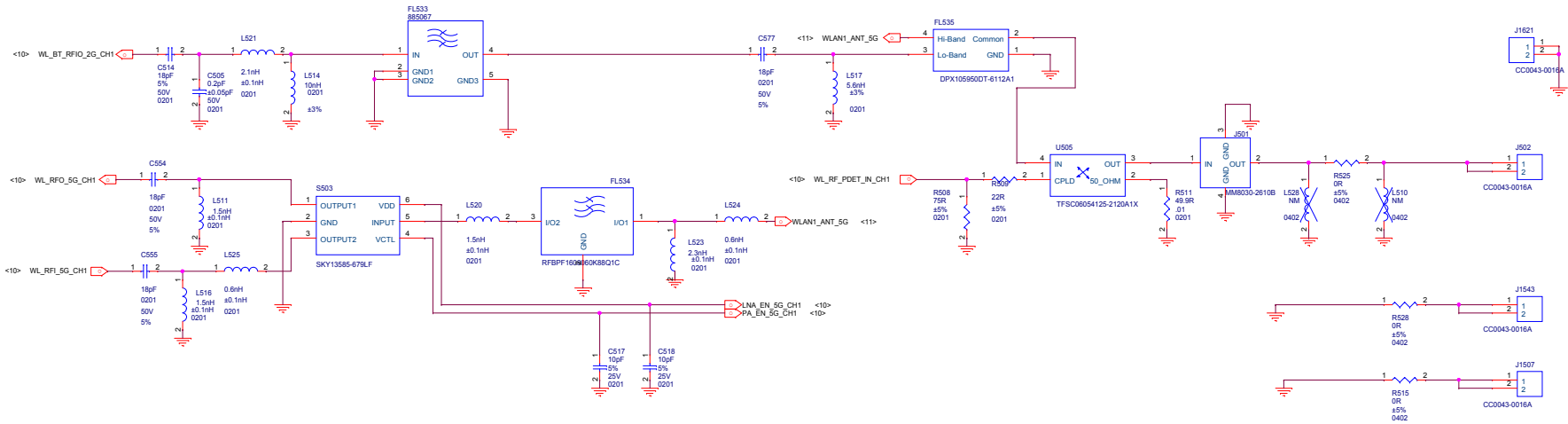
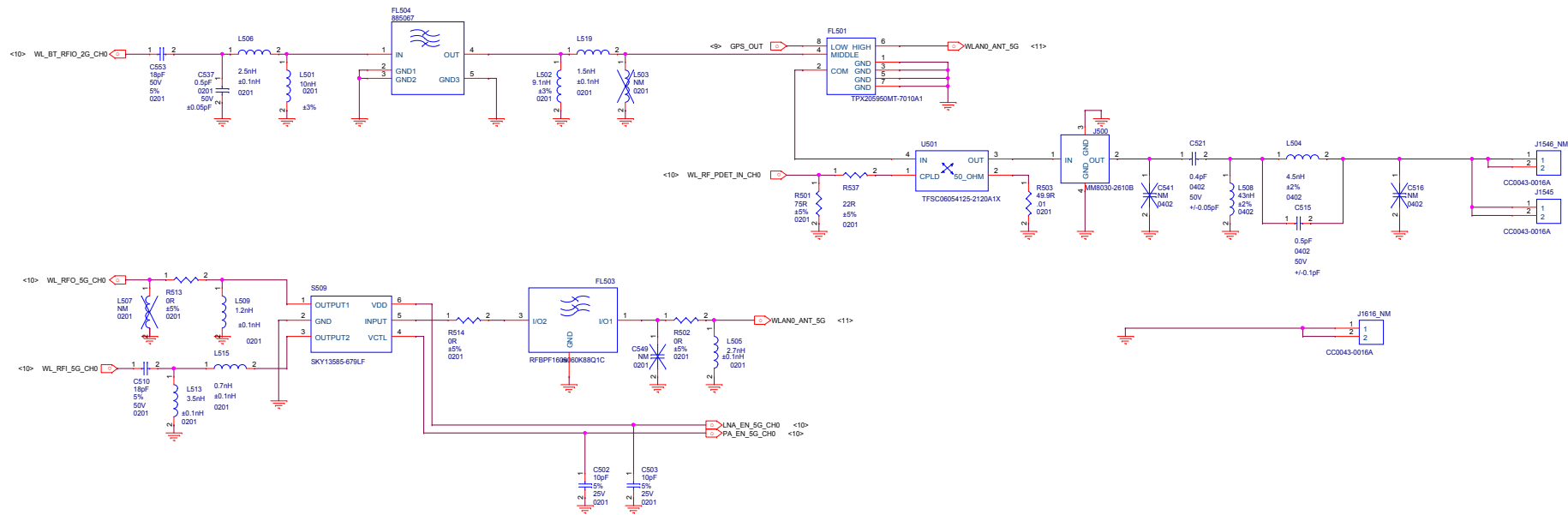
1



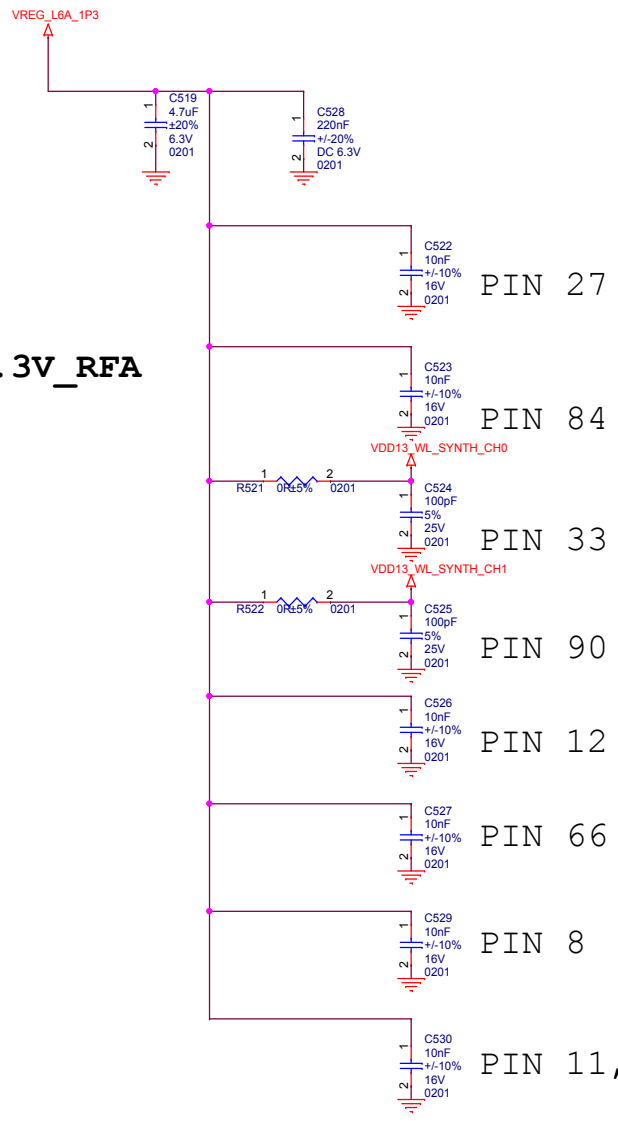
Title		
E2		
Size	Document Number	Rev
A3	GPS	P0
Date:	Monday, April 09, 2018	Sheet 9 of 37



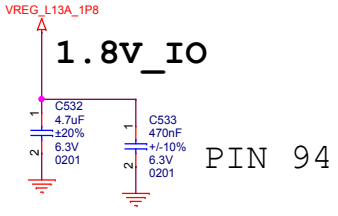
Title		E2
Size	Document Number	Rev
A3	WIFI INTERFACE	P0
Date:	Monday, April 09, 2018	Sheet 10 of 37



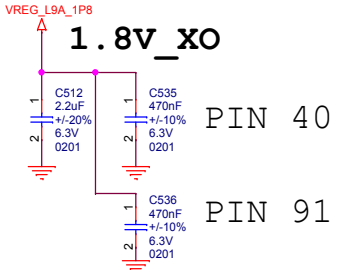
**1.3V\_RFA**



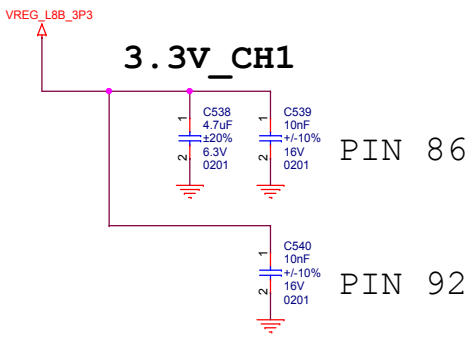
**1.8V\_IO**



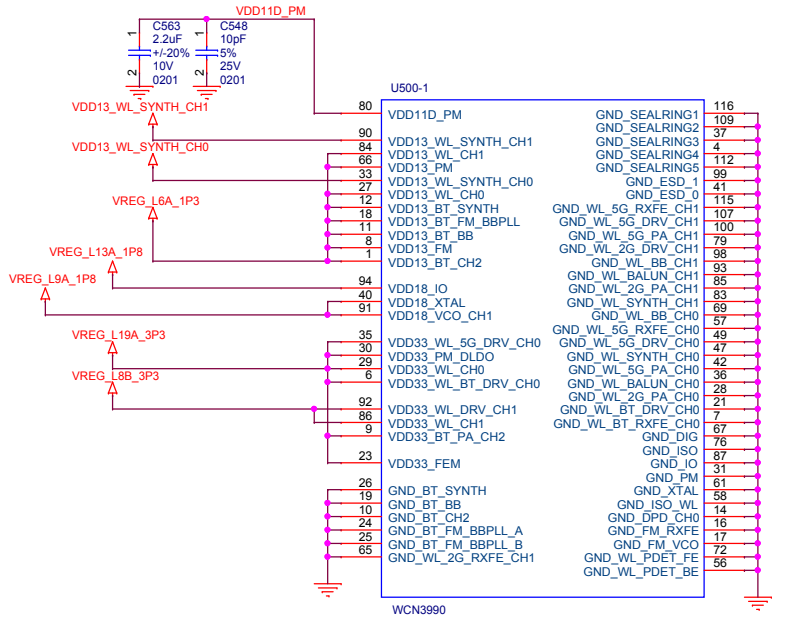
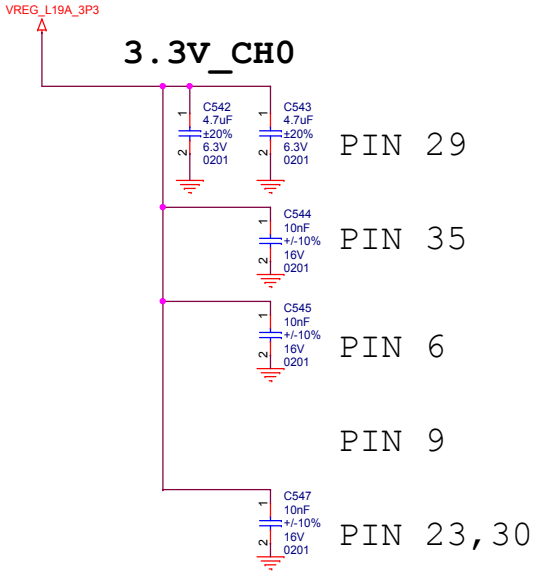
**1.8V\_XO**



**3.3V\_CH1**

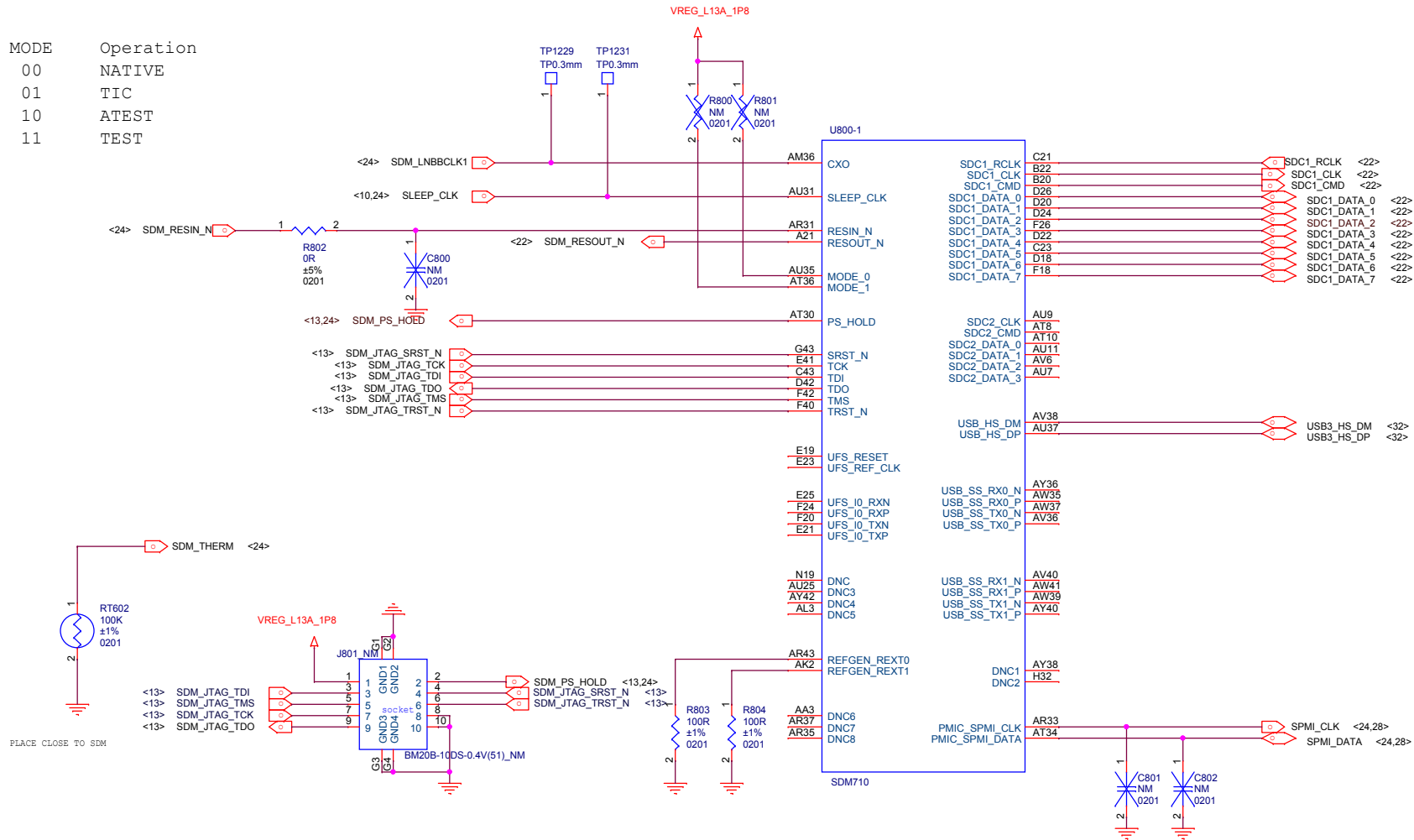


**3.3V\_CHO**

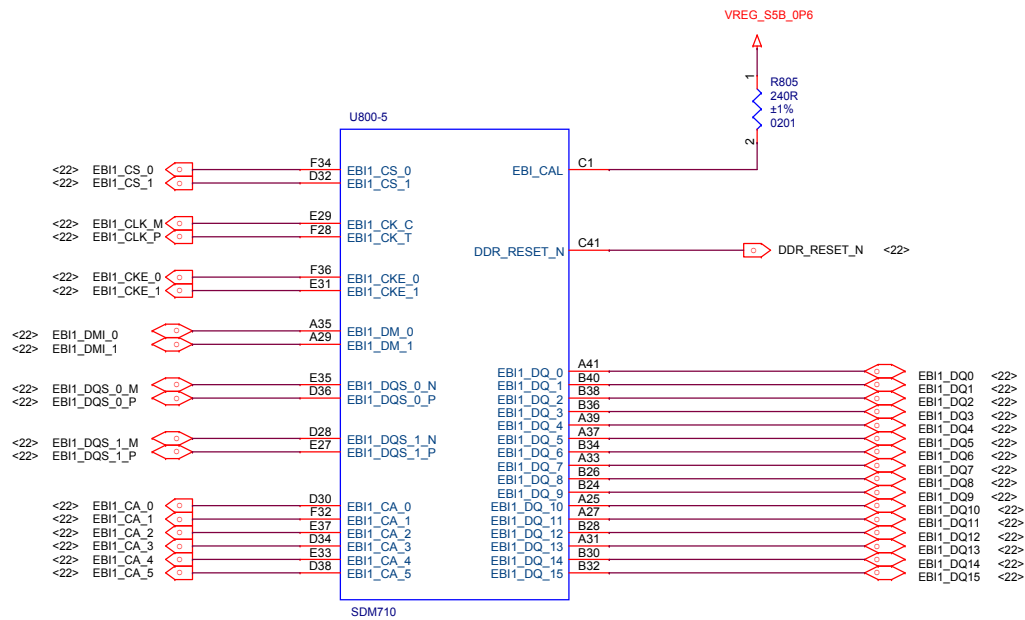
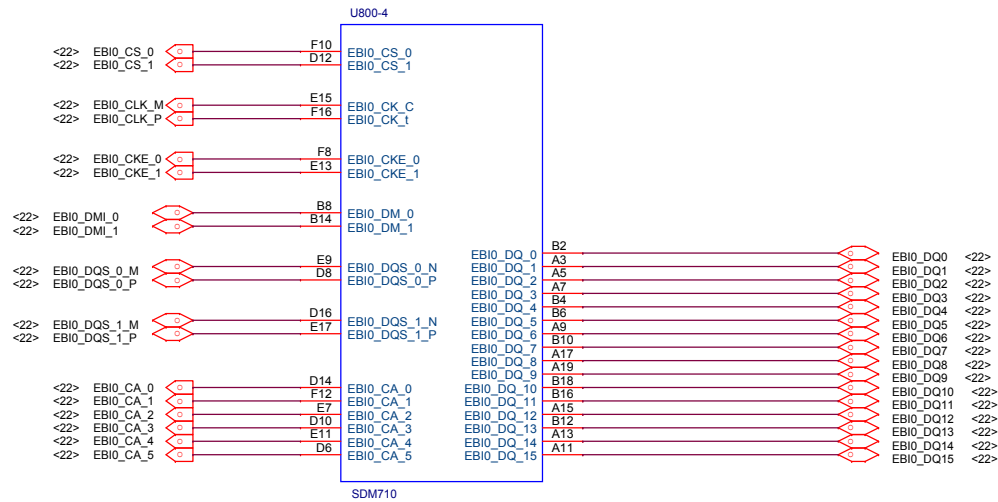


Title			E2
Size	Document Number	Rev	
A3	BT/WLAN DECOUP	Po	
Date:	Monday, April 09, 2018	Sheet	12 of 37

MODE    Operation  
 00    NATIVE  
 01    TIC  
 10    ATEST  
 11    TEST

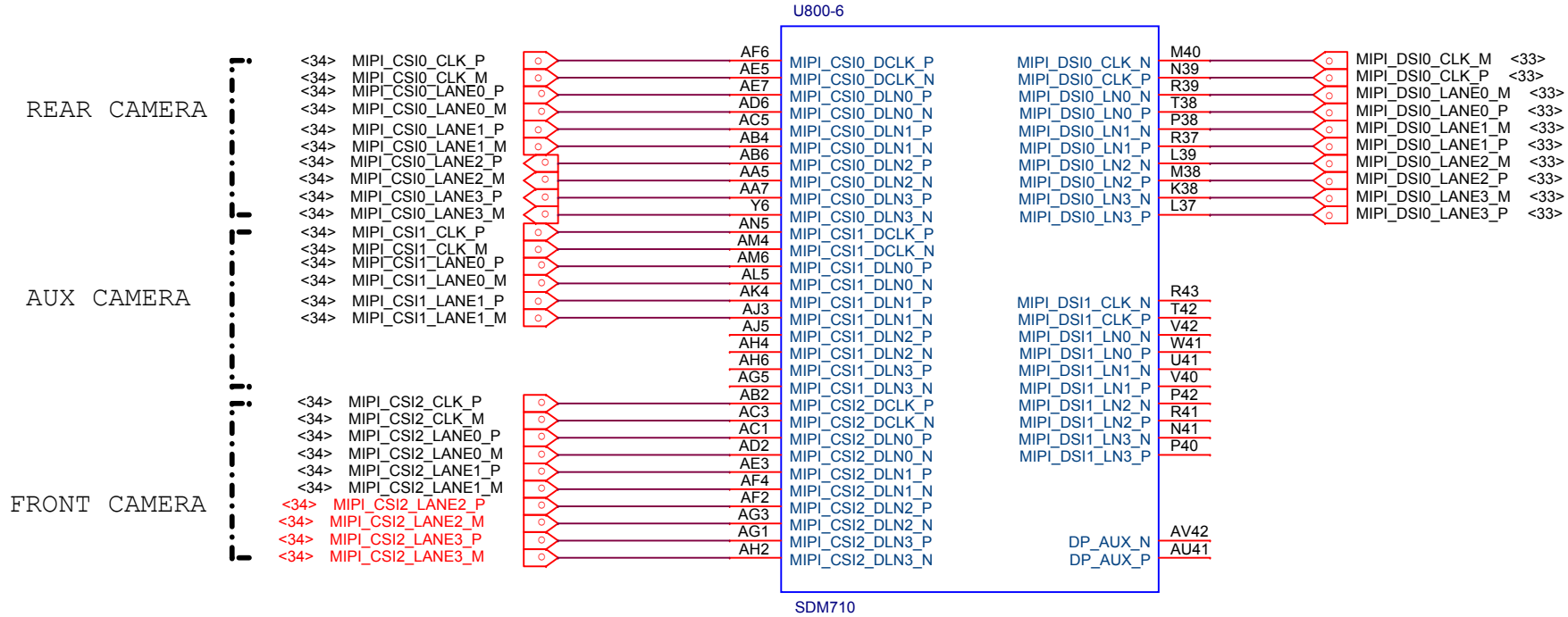


Title		
E2		
Size	Document Number	Rev
A3	SDM660 Control	P0
Date:	Monday, April 09, 2016	Sheet 13 of 37

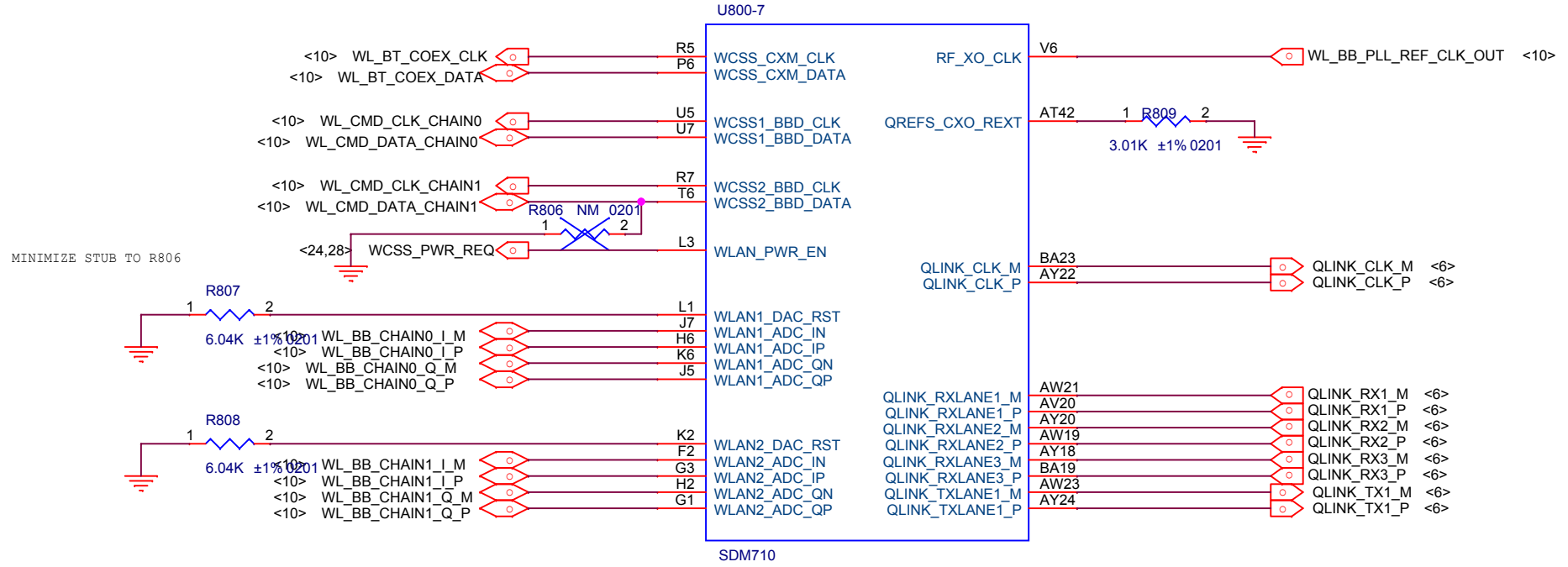


Title		
E2		
Size	Document Number	Rev
A3	SDM660 LPDDR4	P0
Date:	Monday, April 09, 2018	Sheet 14 of 37

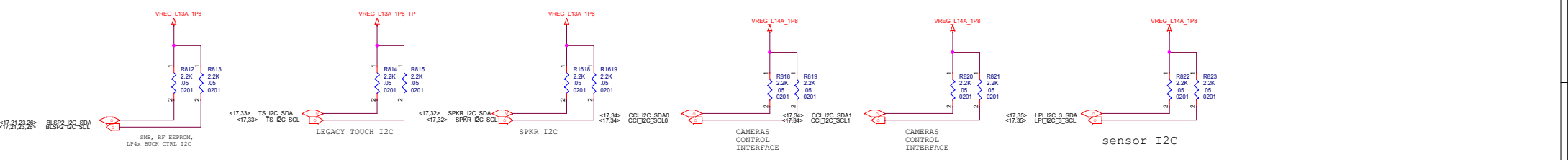
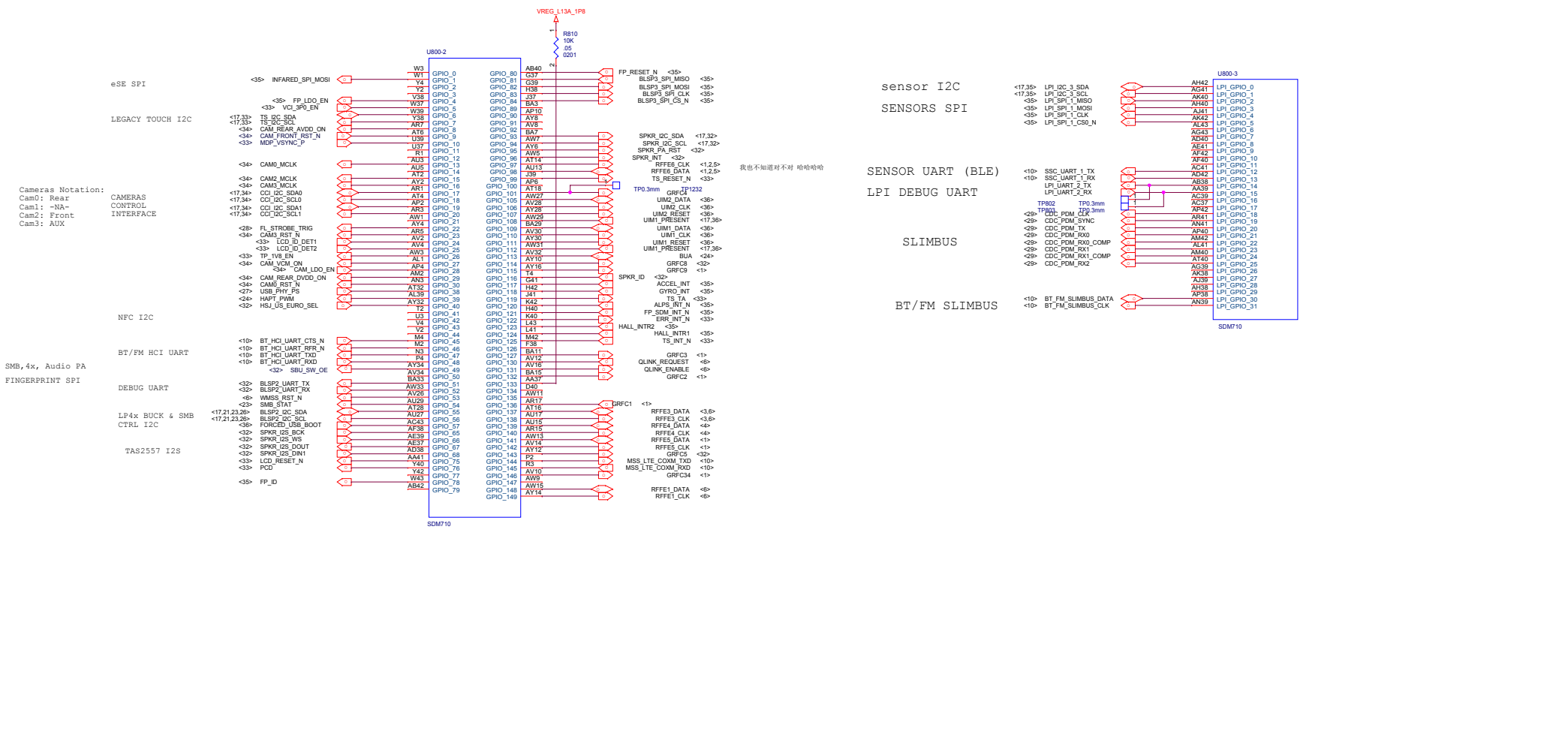




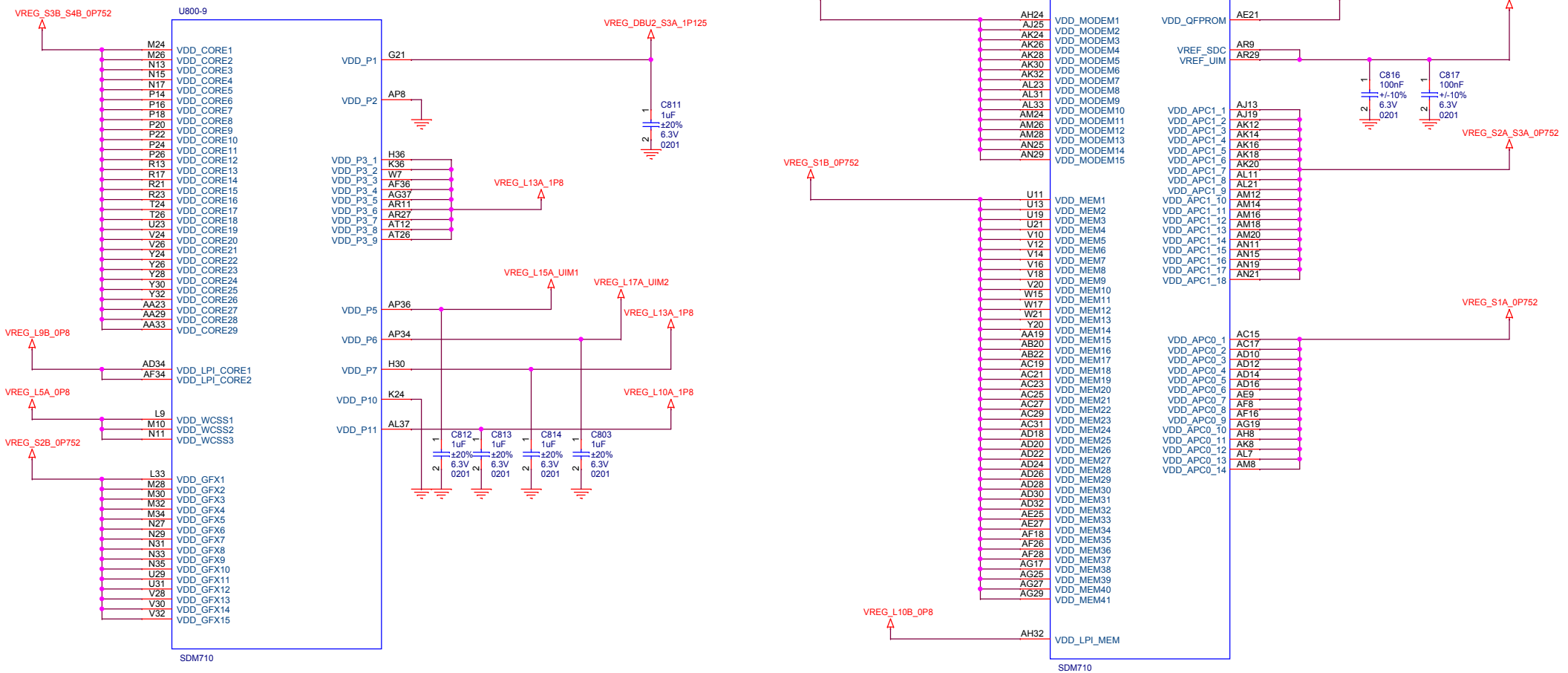
Title		
E2		
Size	Document Number	Rev
A4	SDM660 CSI/DSI	P0
Date:	Monday, April 09, 2018	Sheet 15 of 37



Title		
E2		
Size	Document Number	Rev
A4	SDM660 WLAN/QLINK	P0
Date:	Monday, April 09, 2018	Sheet 16 of 37

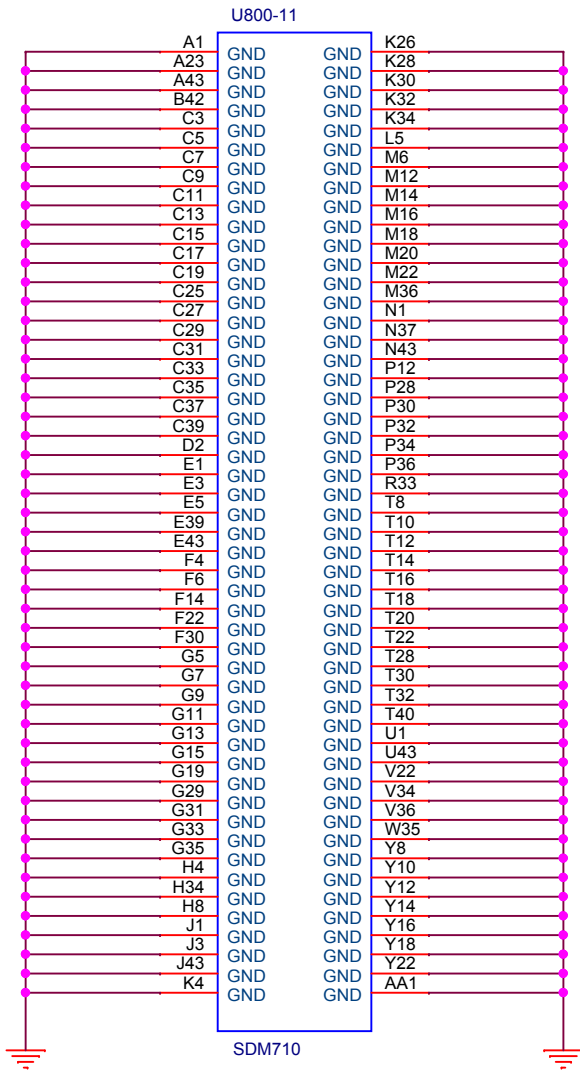


Title		E2	
Size	Document Number	Rev	PO
A2	SCHWBGPH01(Innema)Codec		
Date	Monday, April 09, 2018	Sheet	17 of 37

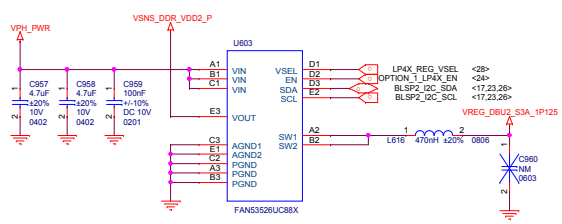
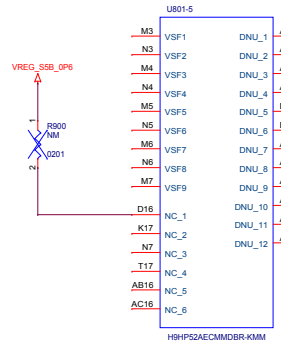
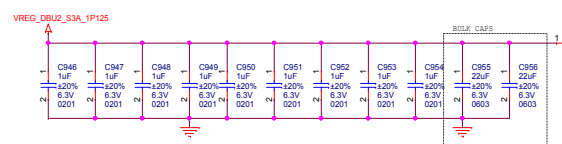
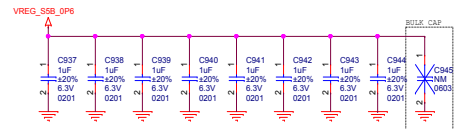
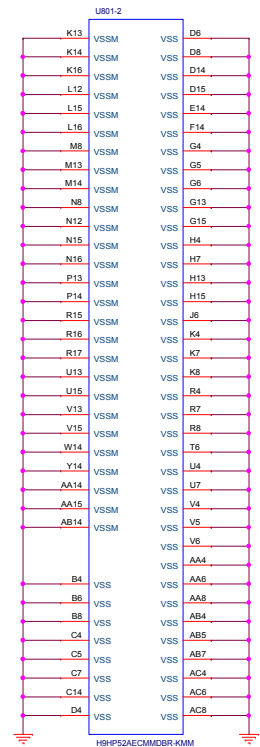
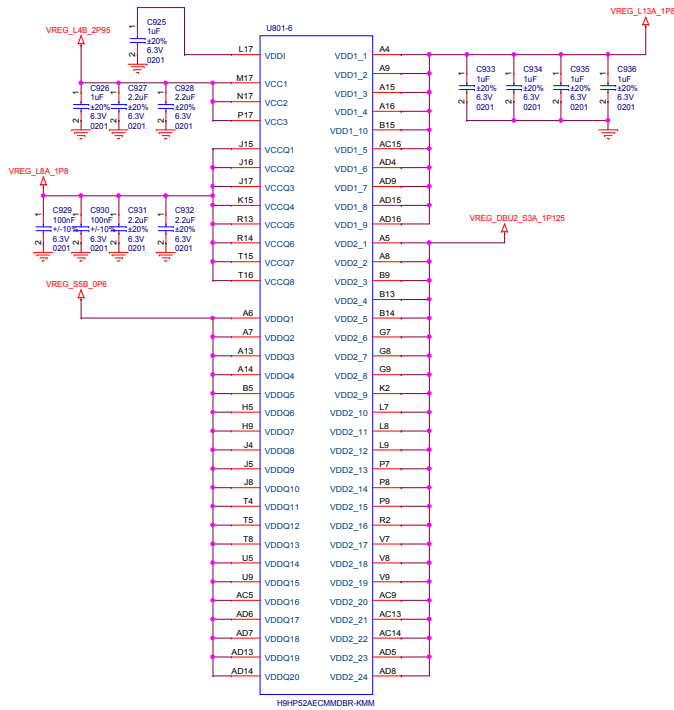


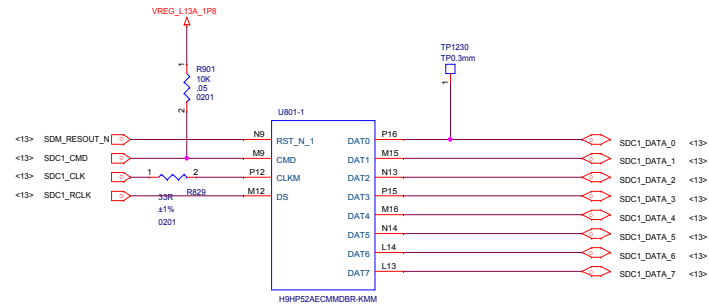
Title		E2
Size	Document Number	Rev
A3	SDM660 Power1	P0
Date:	Monday, April 09, 2018	Sheet 18 of 37



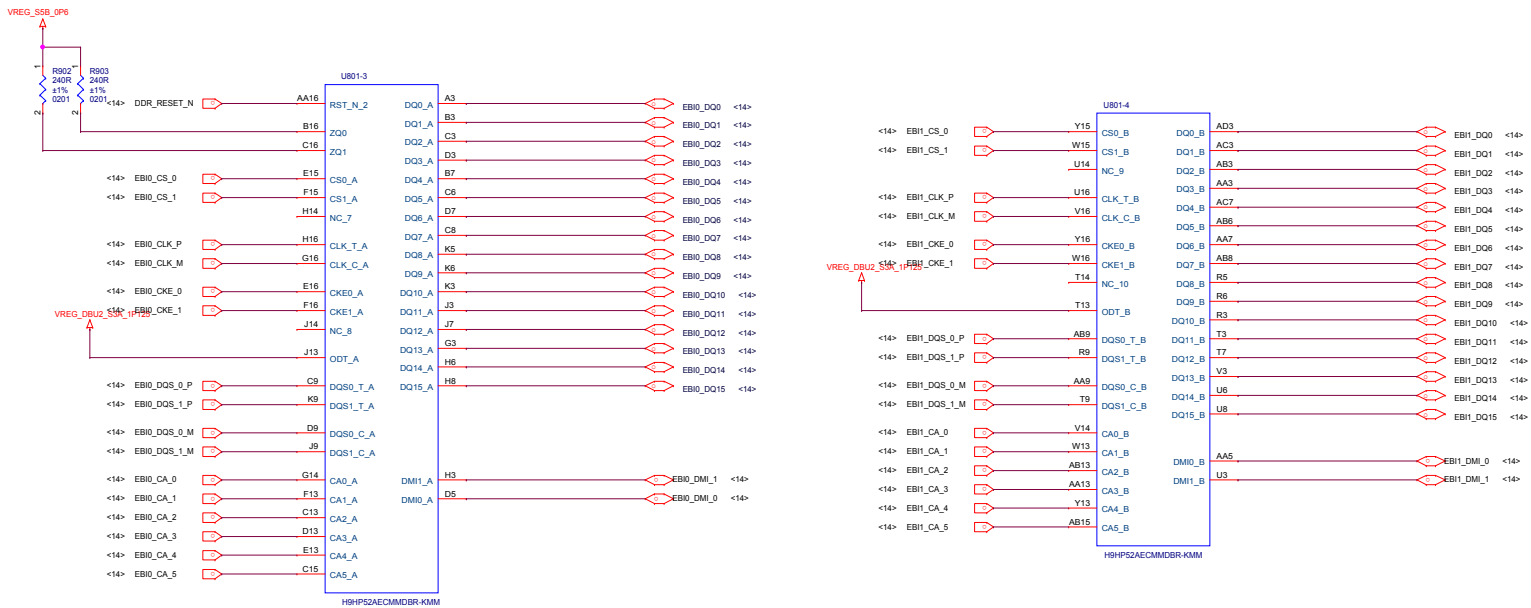


Title		
E2		
Size	Document Number	Rev
A4	SDM660 Ground	P0
Date:	Monday, April 09, 2018	Sheet 20 of 37

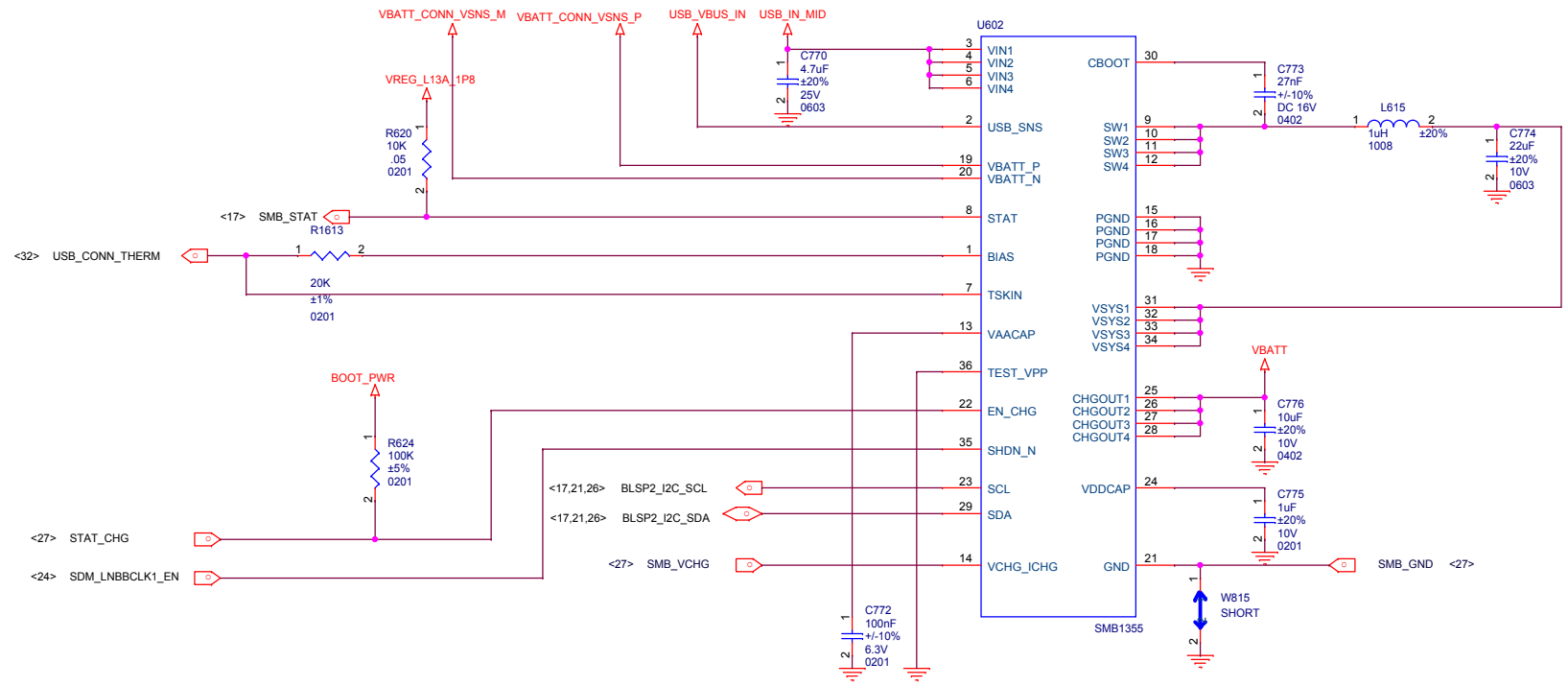




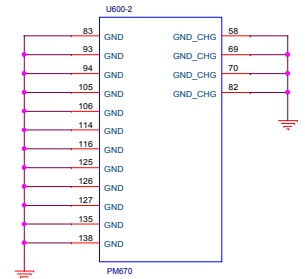
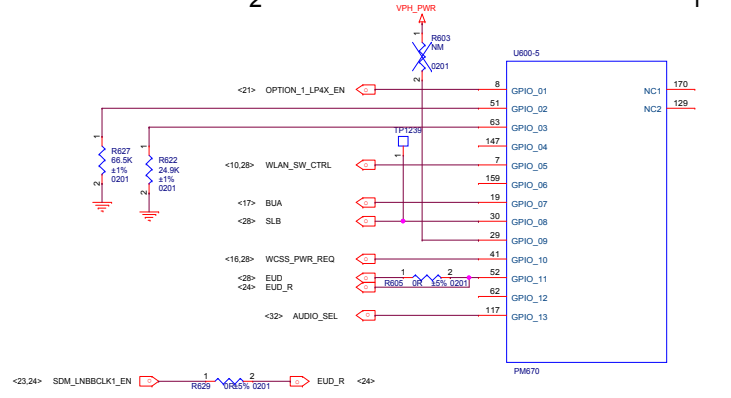
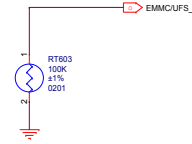
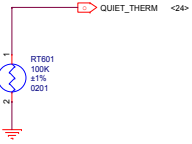
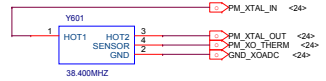
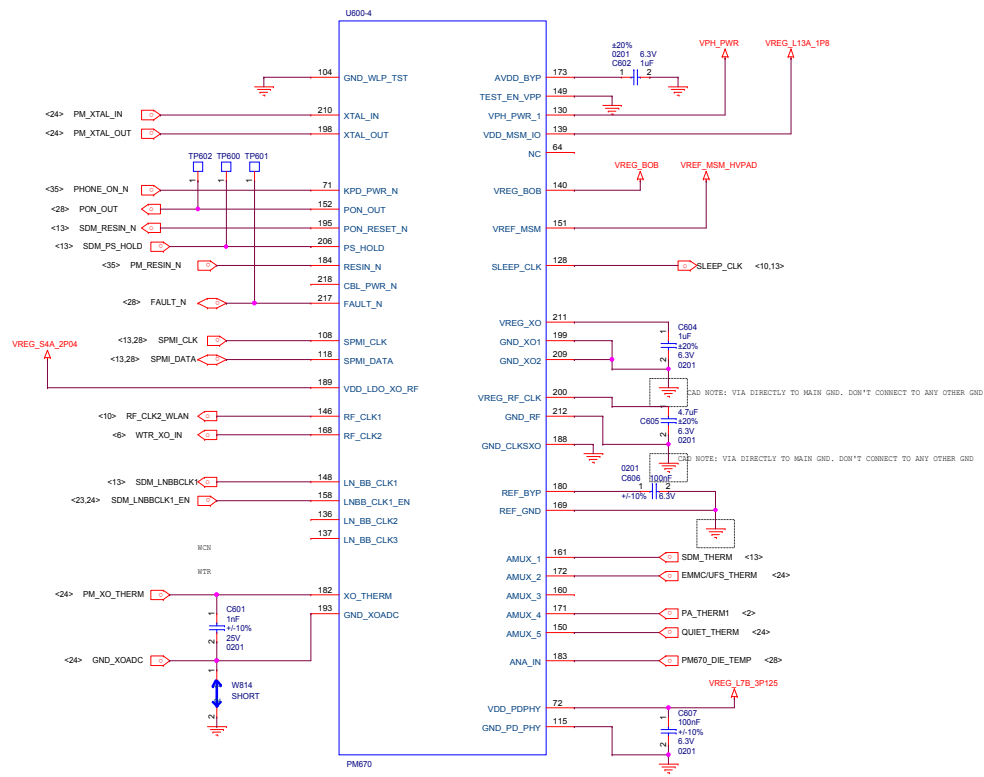
# LPDDR4 / 4x

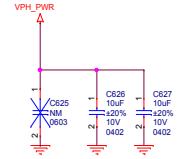
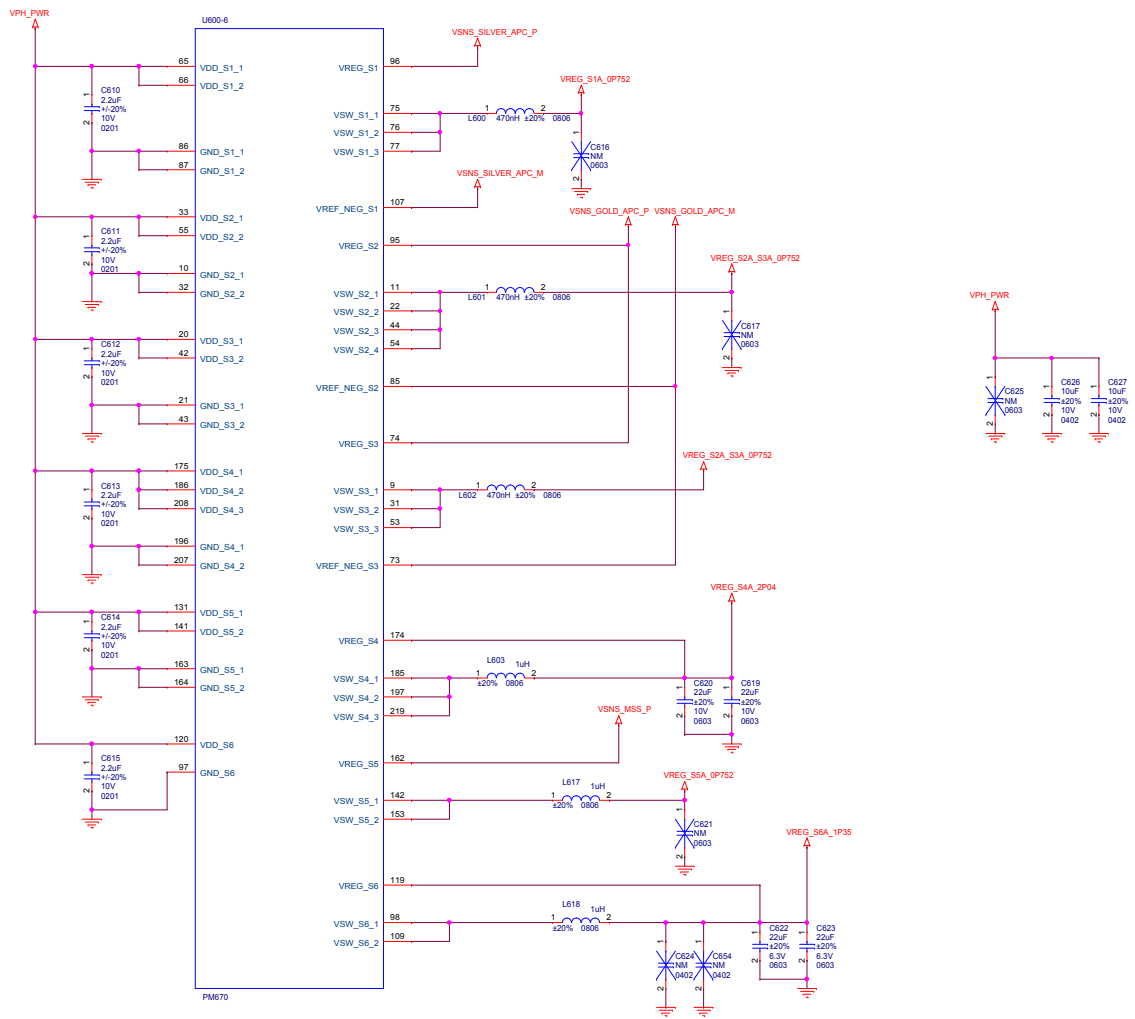




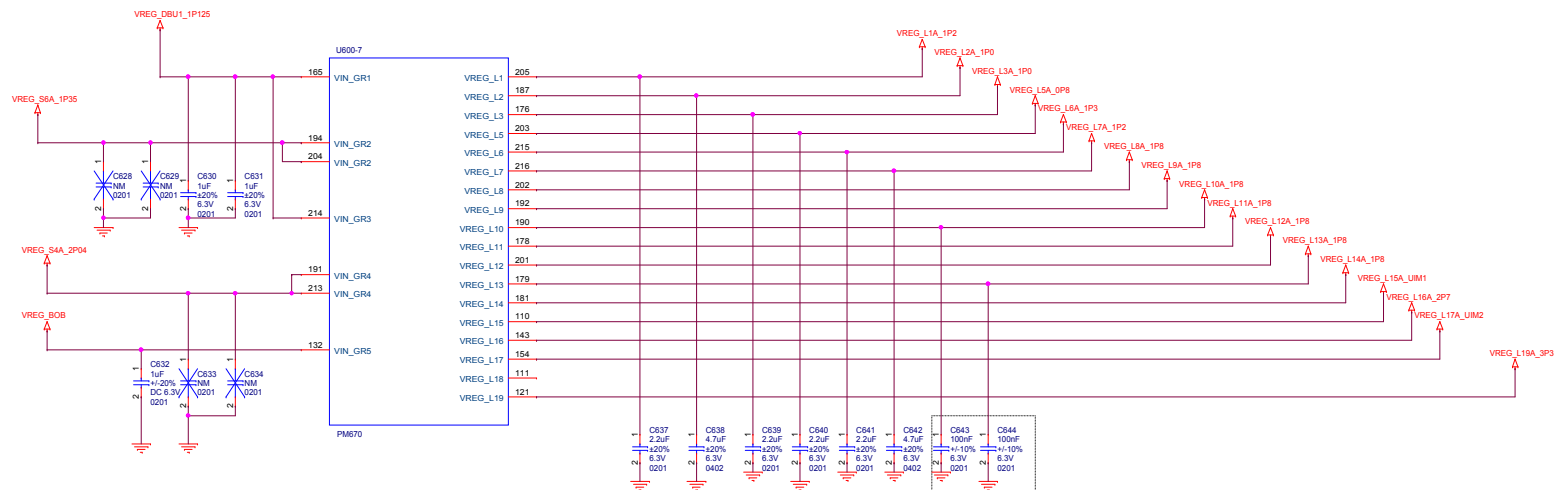


Title		E2
Size	Document Number	Rev
A3	SMB1351	P0
Date:	Monday, April 09, 2018	Sheet 23 of 37

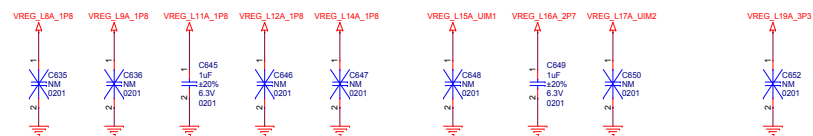




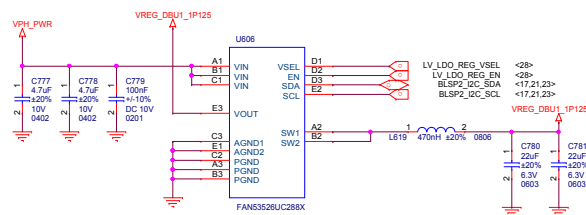
File	E2	
Size	Document Number	Rev
A2	PM670 Buck Converter	P0
Date:	Monday, April 09, 2018	Sheet 25 of 37



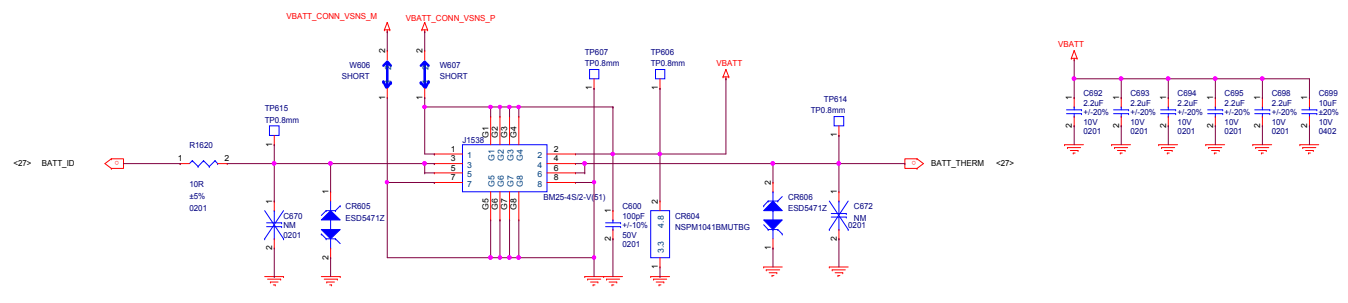
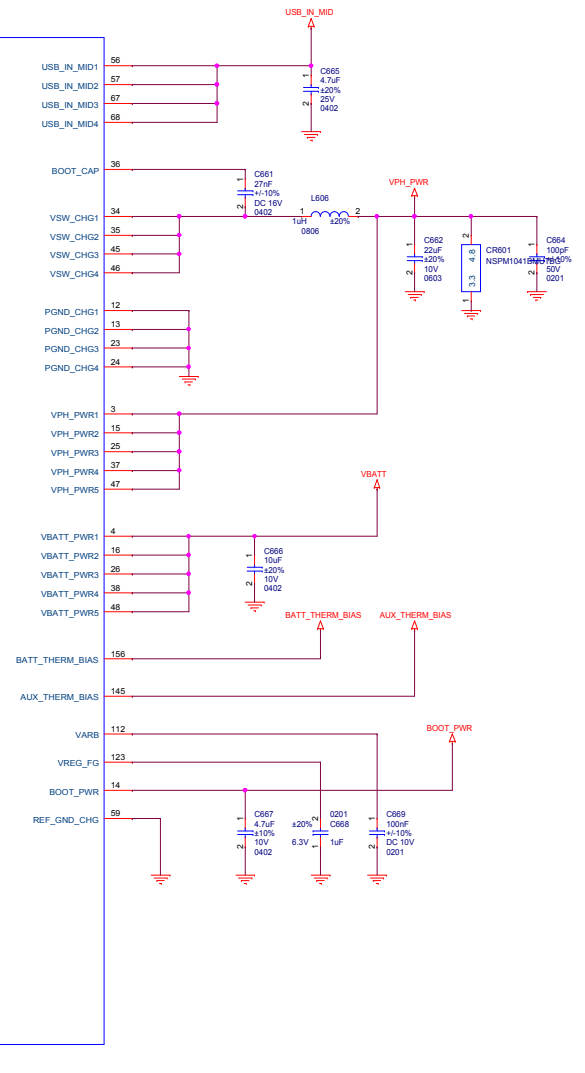
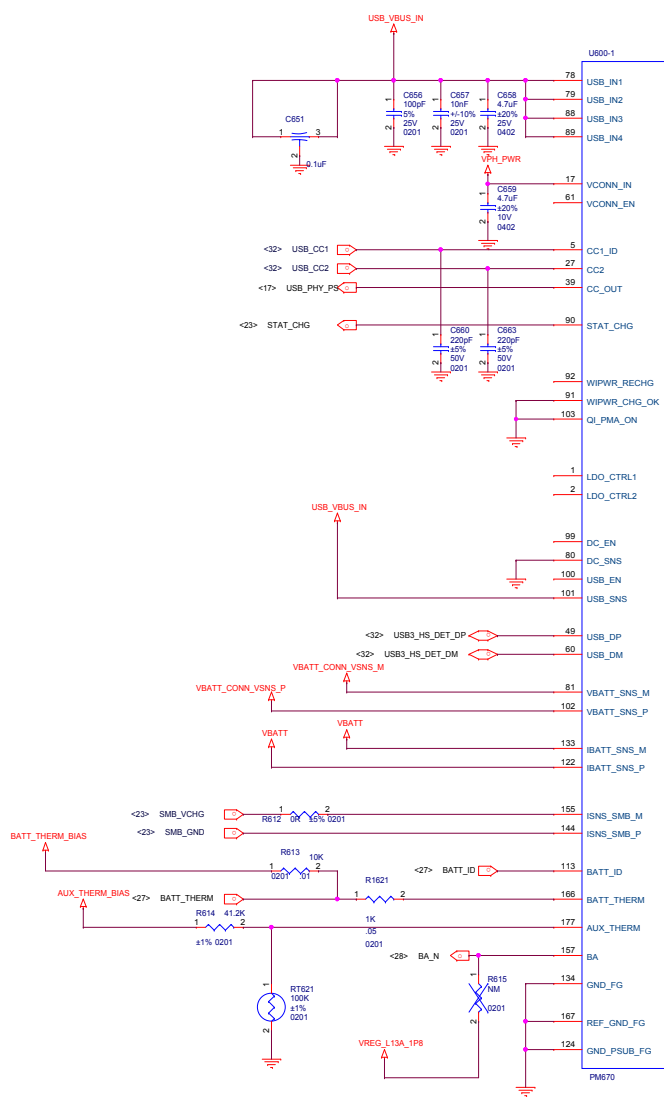
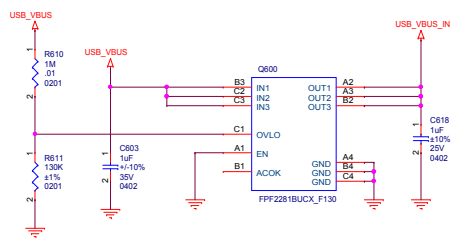
LDO4 USED INTERNAL TO PMIC NEED LOCAL DECAP



PSEUDO CAPLESS LDOs  
For CAPLESS LDOs: If decaps on the load side do not add up to LDO spec, then install the cap close to the PMIC

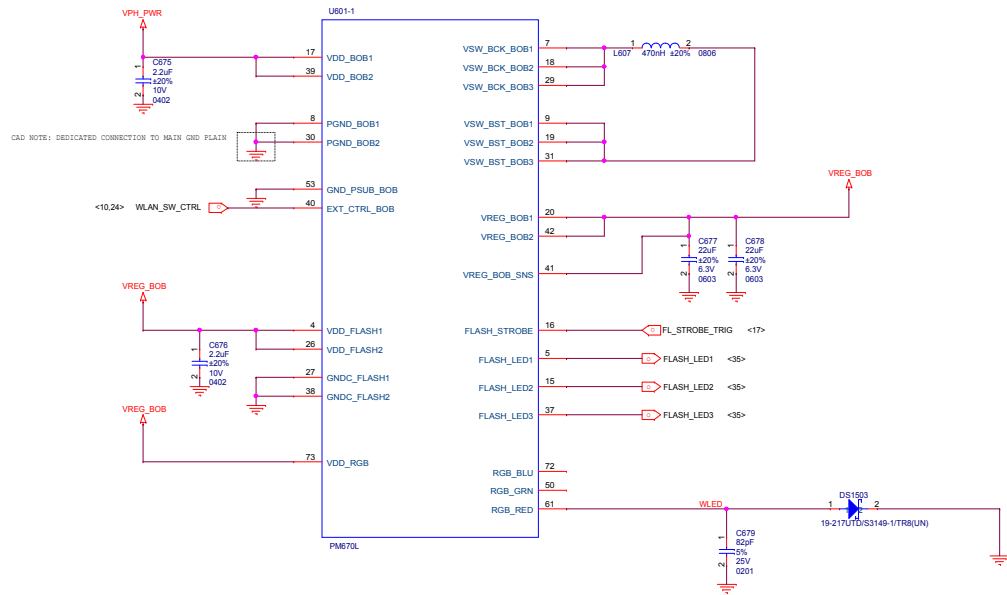
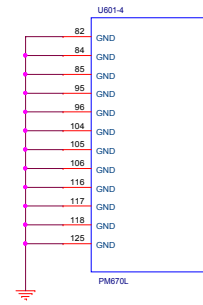
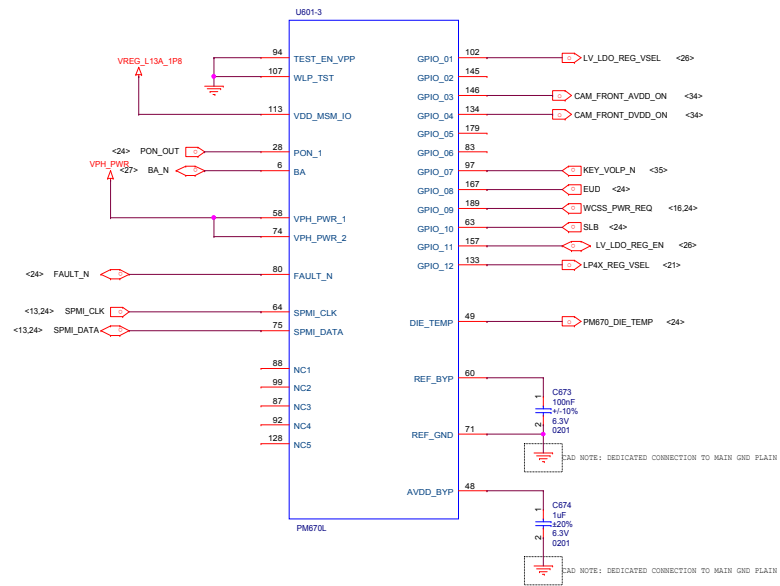


Rev	E2
Size	A2
Document Number	PM670 LDO Circuits
Date	Monday, April 09, 2018
Sheet	26 of 37

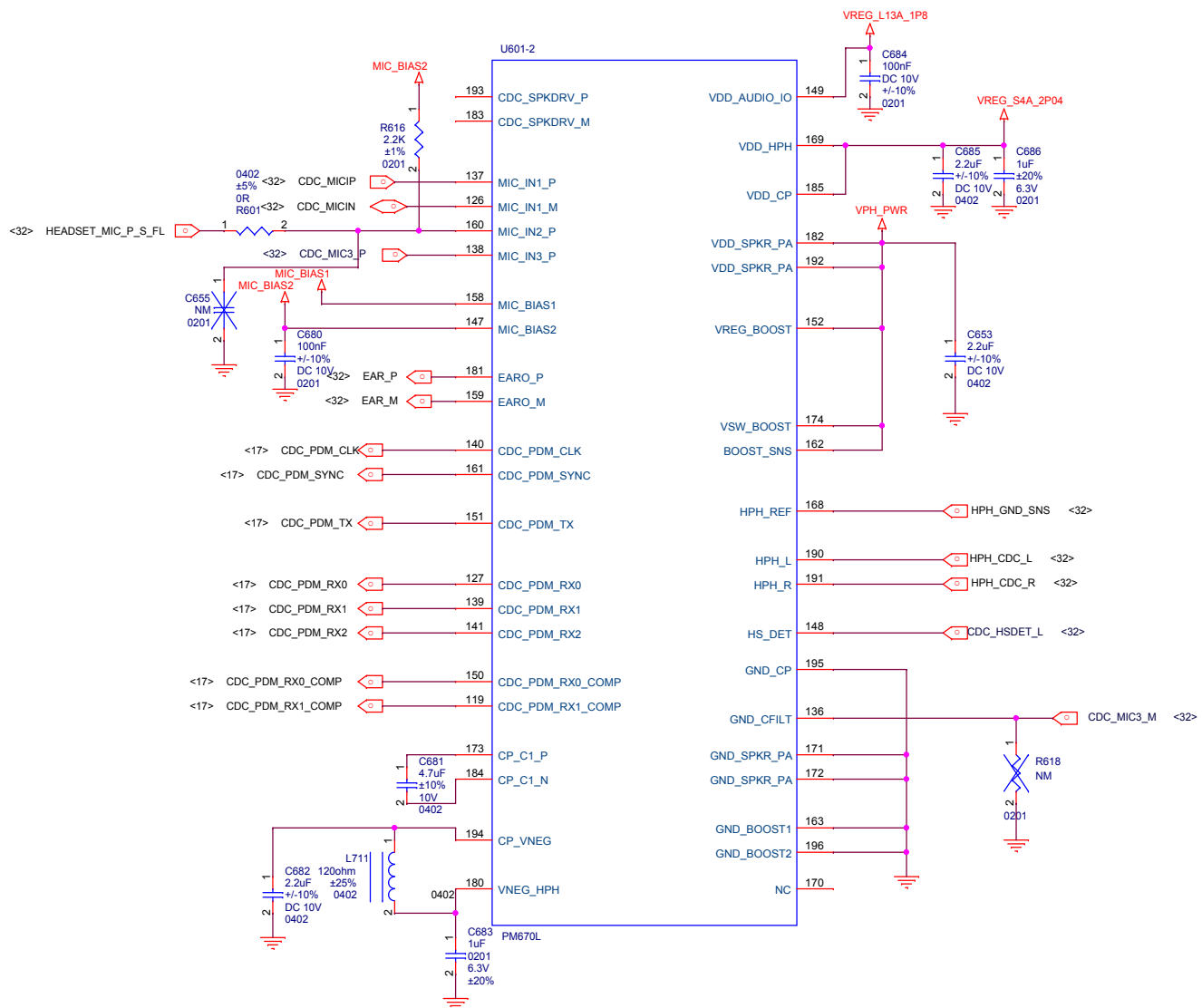


NOTE: INTERNAL PULL-UP FOR BA\_N PROVIDED BY PM660

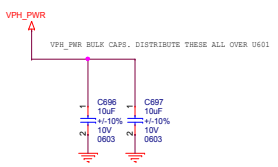
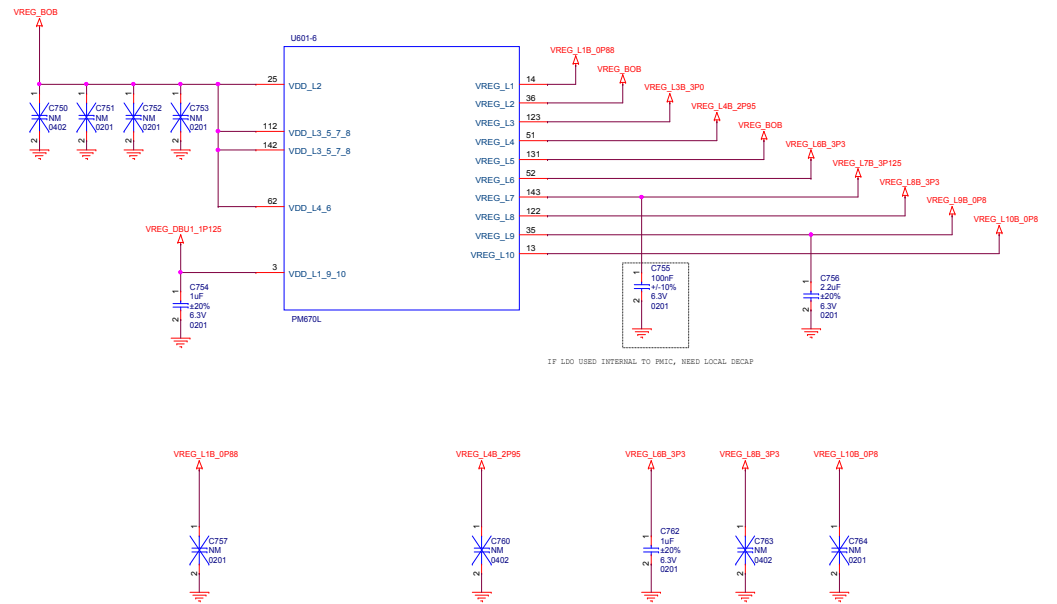
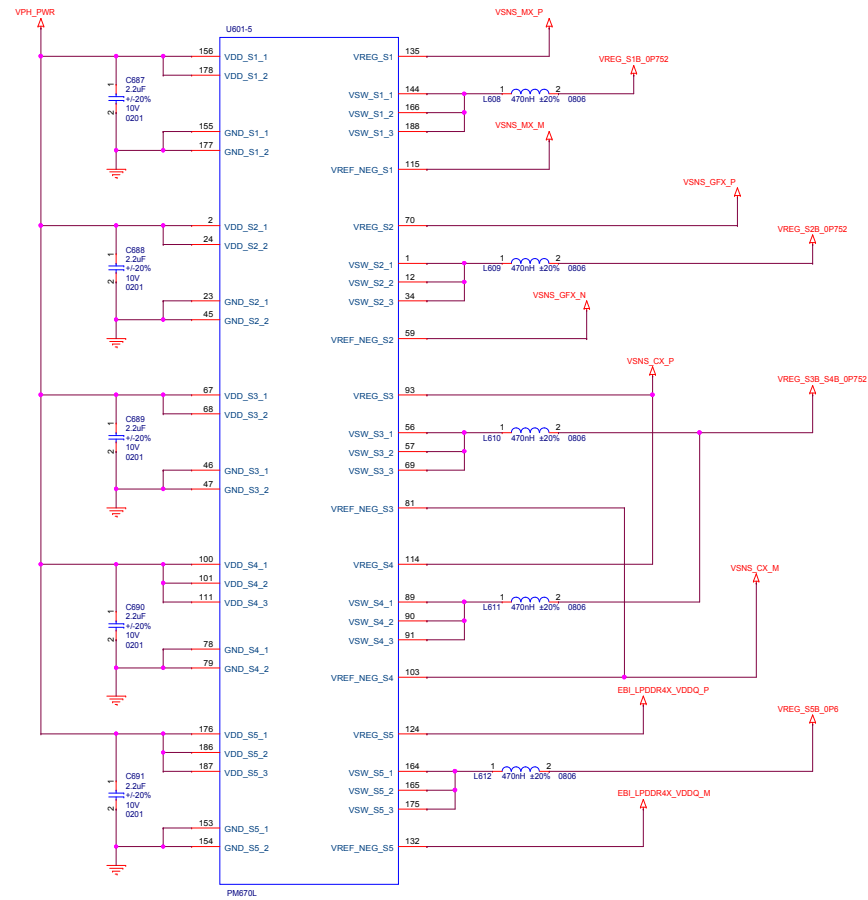
Title		E2	
Size	A2	Document Number	PM660 Charger_FG
Date	Monday, April 09, 2018	Sheet	27 of 37



Title			E2		
Size	Document Number				Rev
A2	PM670L.ControllerandBobFlash				P0
Date	Monday, April 09, 2018	Sheet	28	of	37

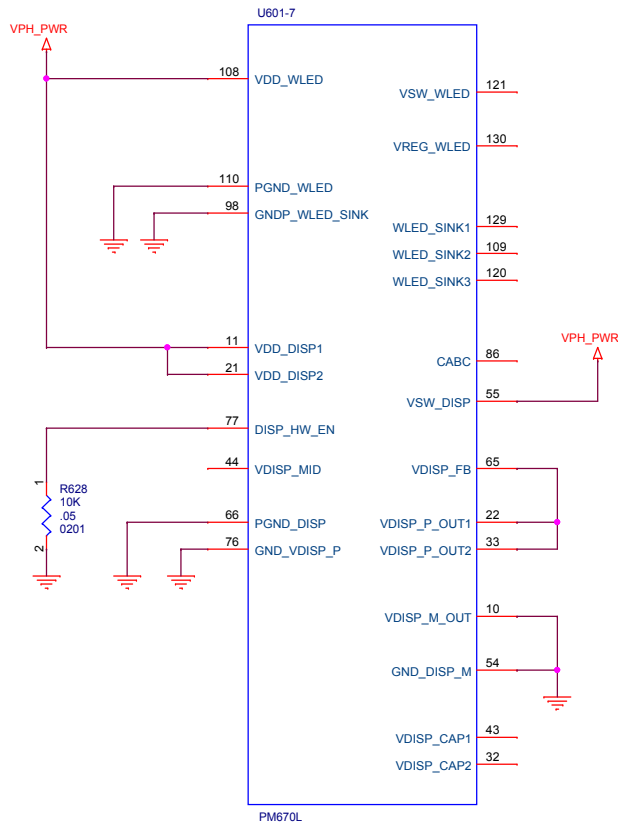


Title		E2
Size	Document Number	Rev
A3	PM660L CODEC (Internal)	P0
Date:	Monday, April 09, 2018	Sheet 29 of 37



Title		E2	
Size	A2	Document Number	PM670L Buck and LDO
Date	Monday, April 09, 2018	Sheet	30 of 37



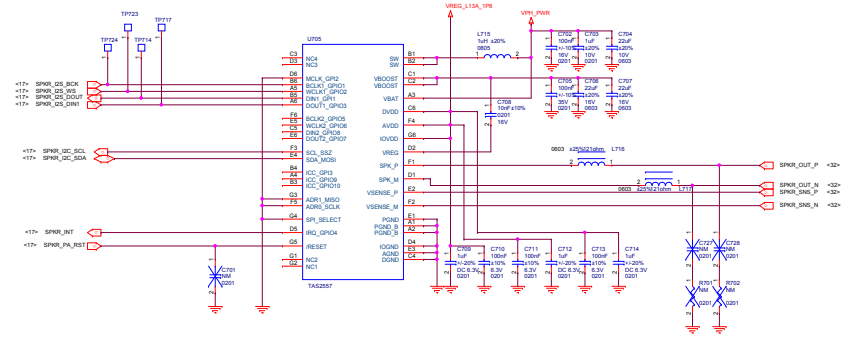


Title		
E2		
Size	Document Number	Rev
A3	PM660L Display (LCD)	P0
Date:	Monday, April 09, 2018	Sheet 31 of 37

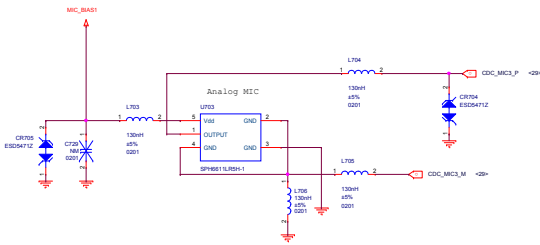
# HEADSET



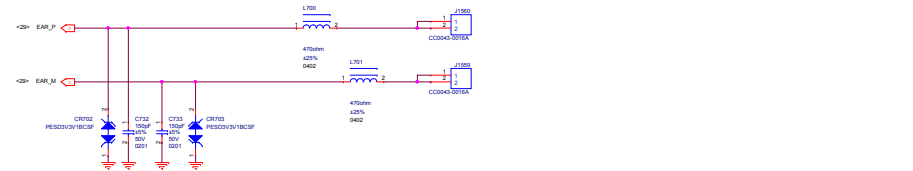
# Speaker PA



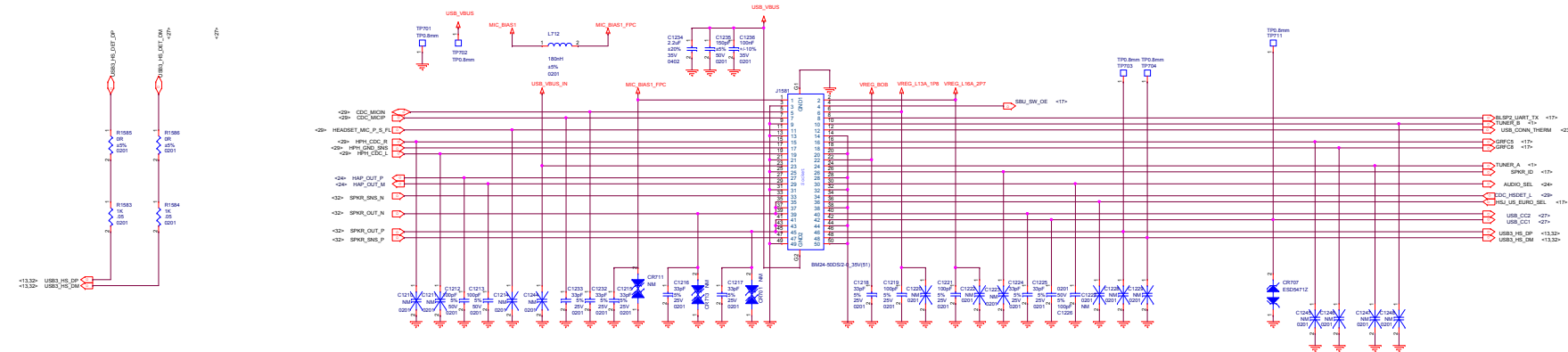
# AUX Mic



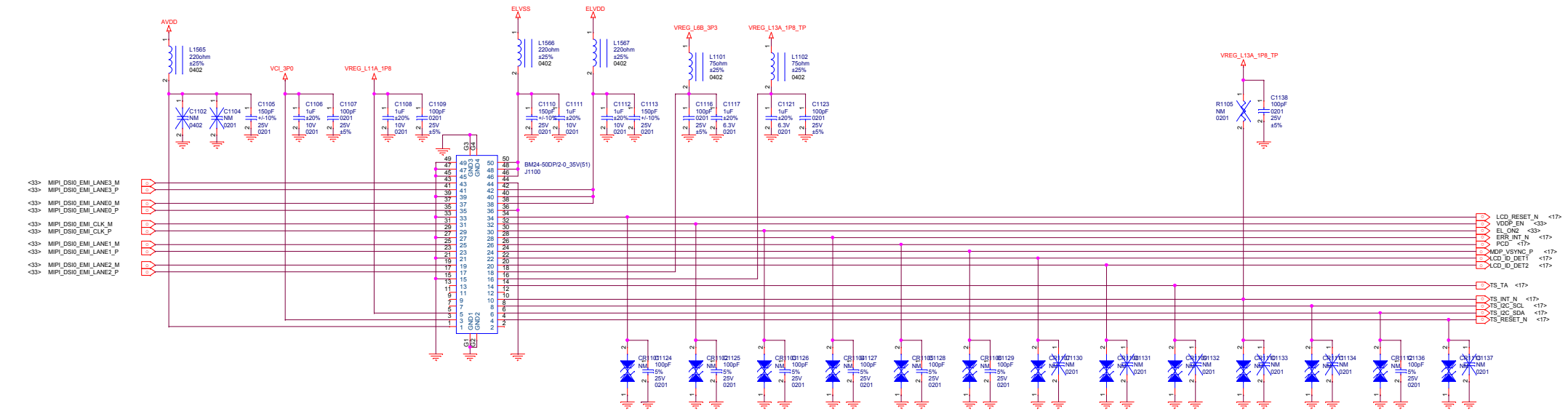
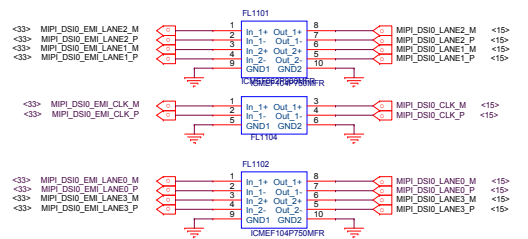
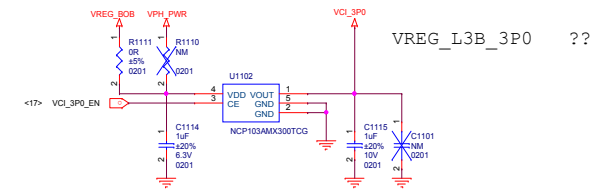
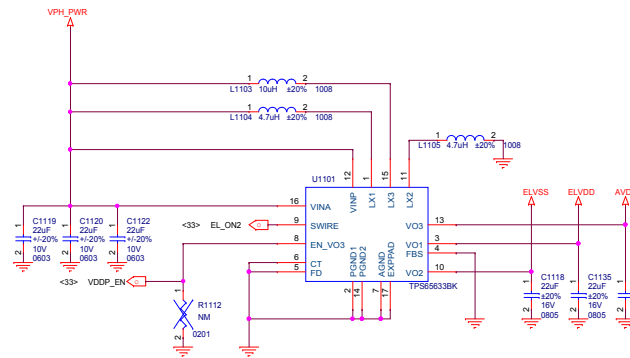
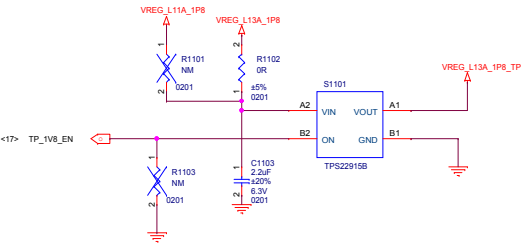
# Receiver



# Bottom fpc Connector

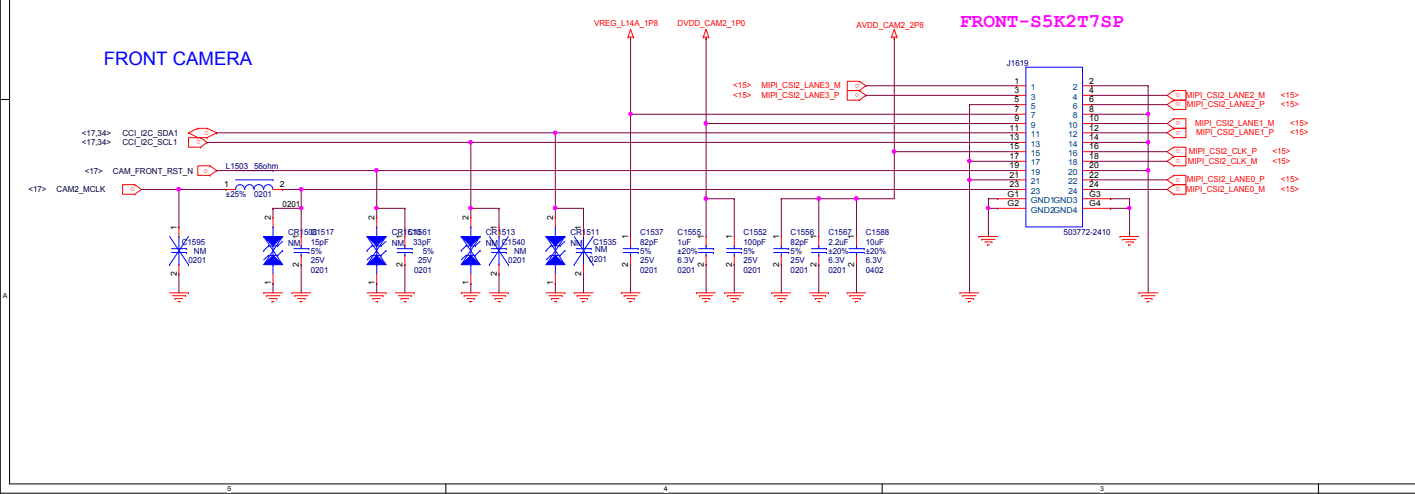
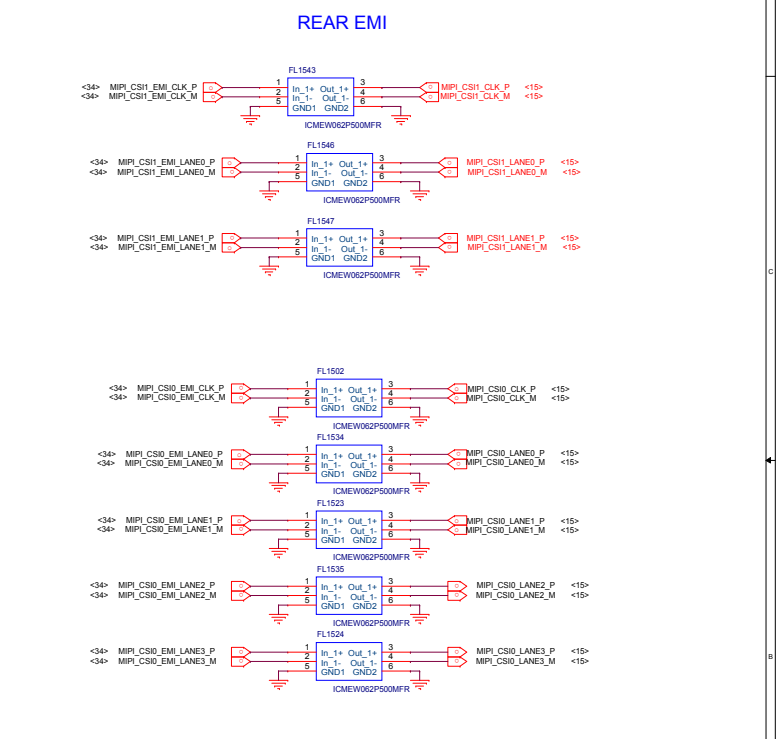
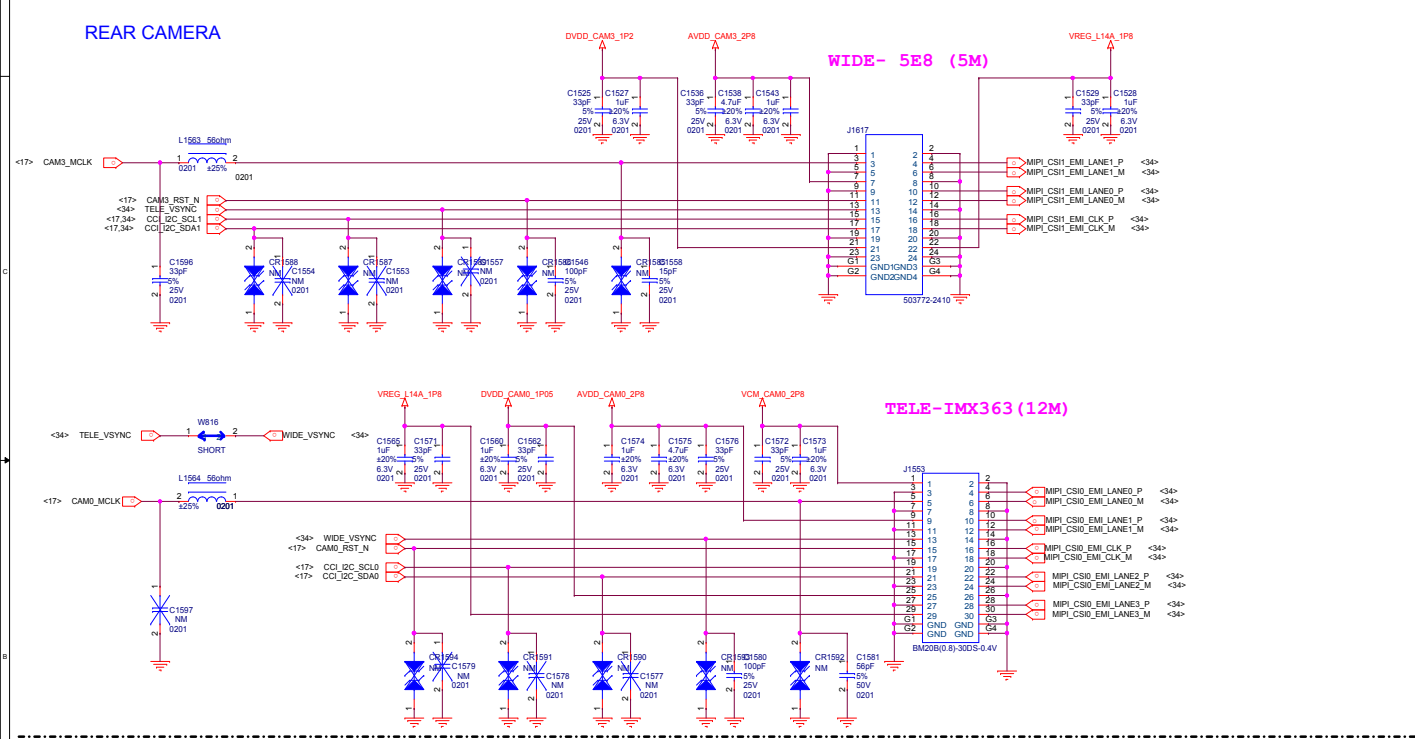
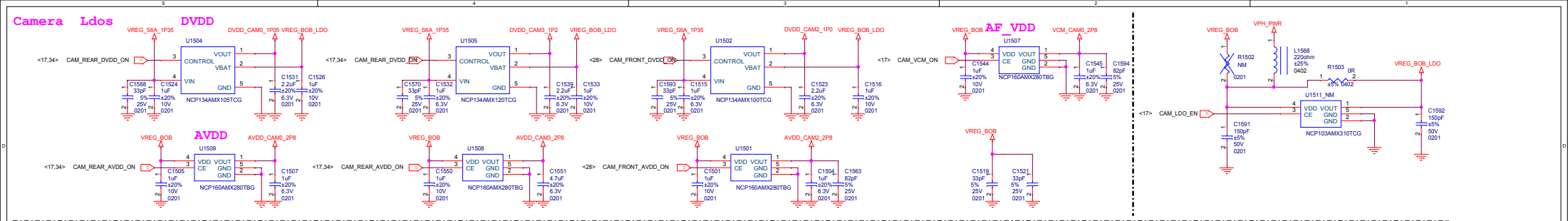


# TP IO



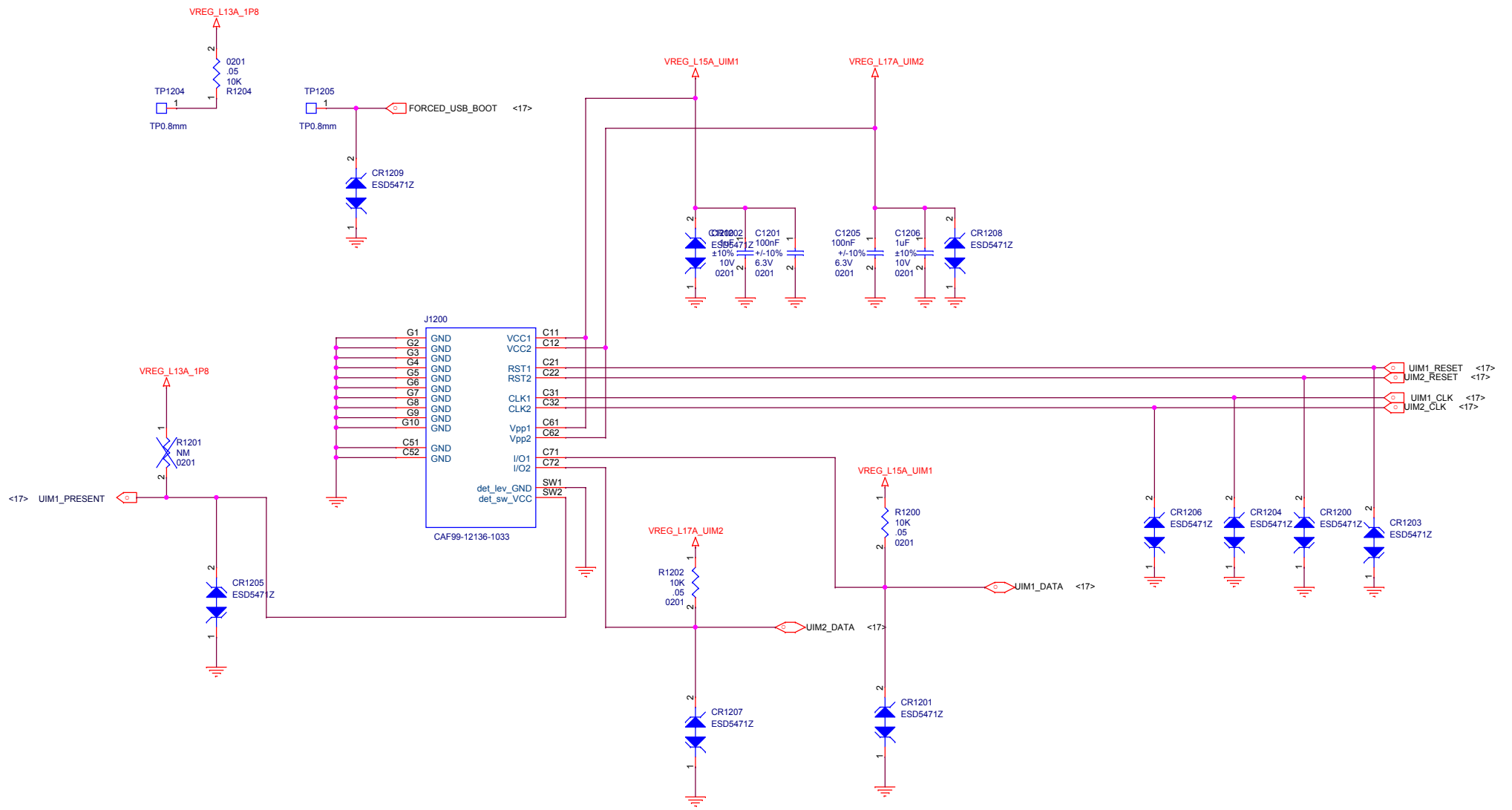
40M05000002

Title		E2	
Size	Document Number	Rev	
A2	LCD	P0	
Date:	Monday, April 09, 2018	Sheet	33 of 37



Rev	E2	Rev	P0
Size	A2	Document Number	
Date		Sheet	34 of 37





VIETMOBILE.VN

Title		
E2		
Size	Document Number	Rev
A3	SIM CONNECTOR	P0
Date:	Sheet 36 of 37	