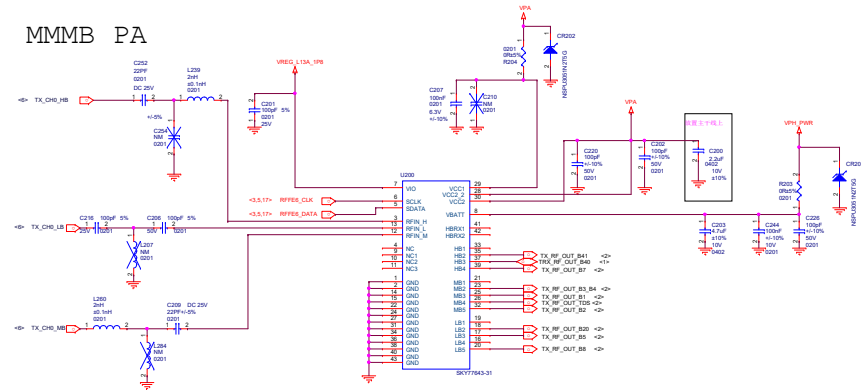
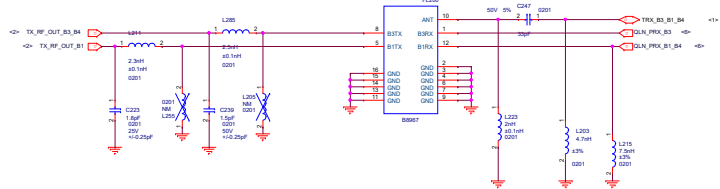


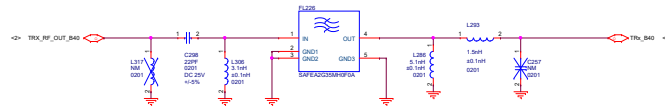
MMMB PA



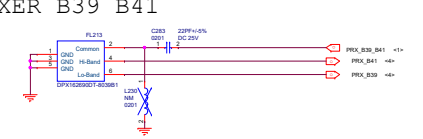
B1&B3



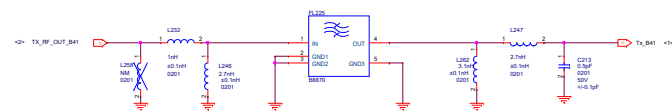
B40



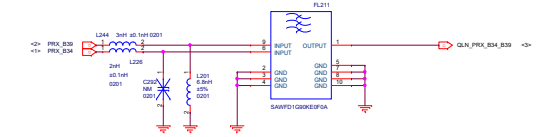
DIPLEXER B39 B41



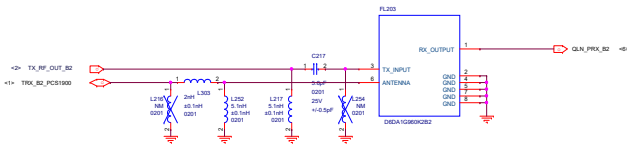
TX B41



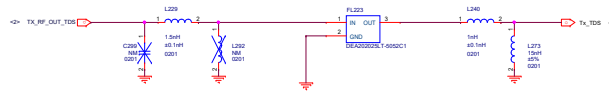
PRX B34 B39



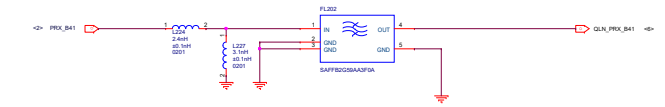
B2



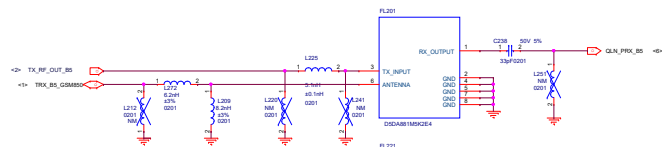
TX TDS



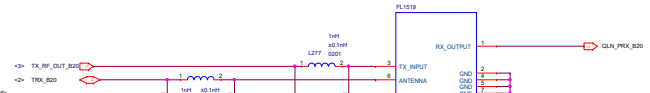
PRX B41



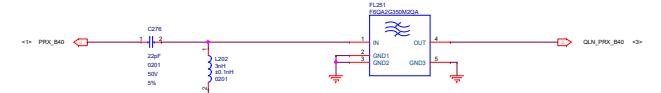
B5



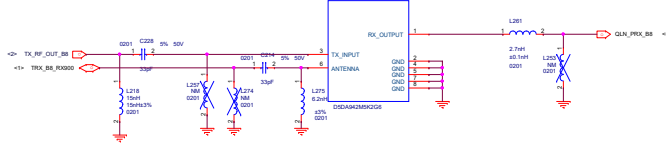
TX B20



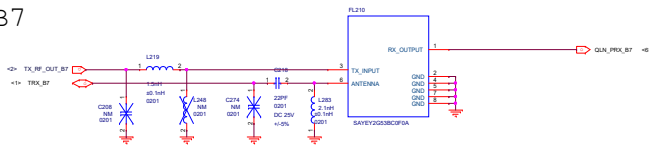
PRX B40



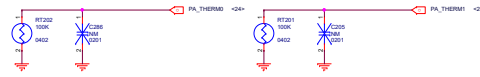
B8

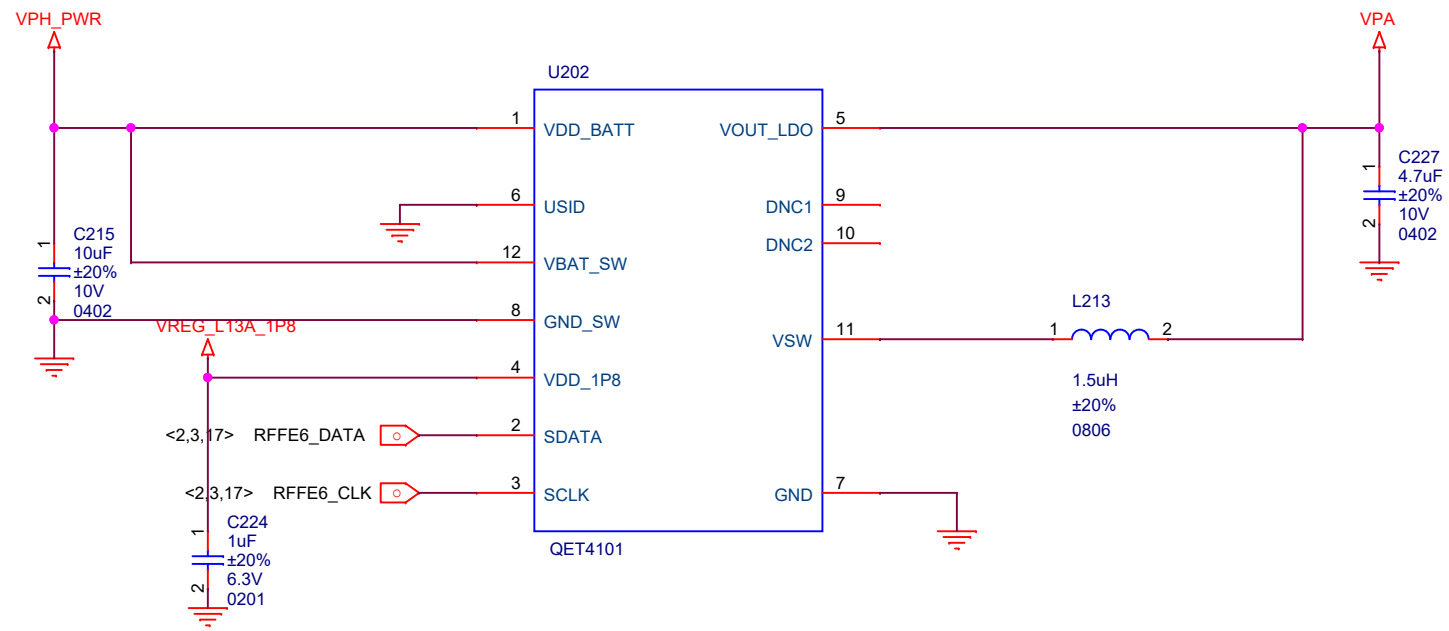


B7

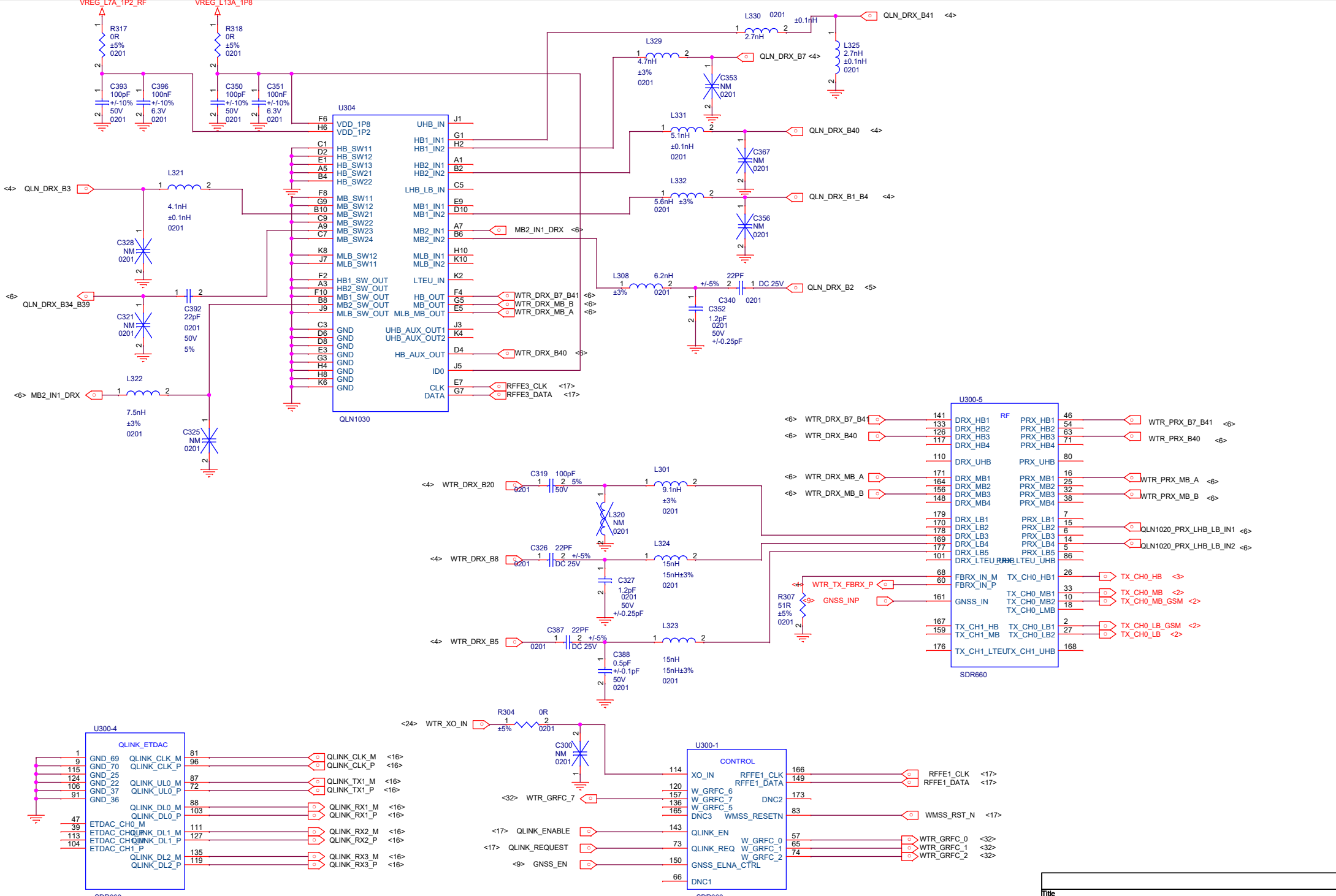


Thermal





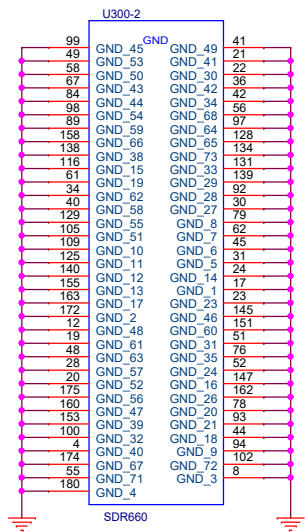
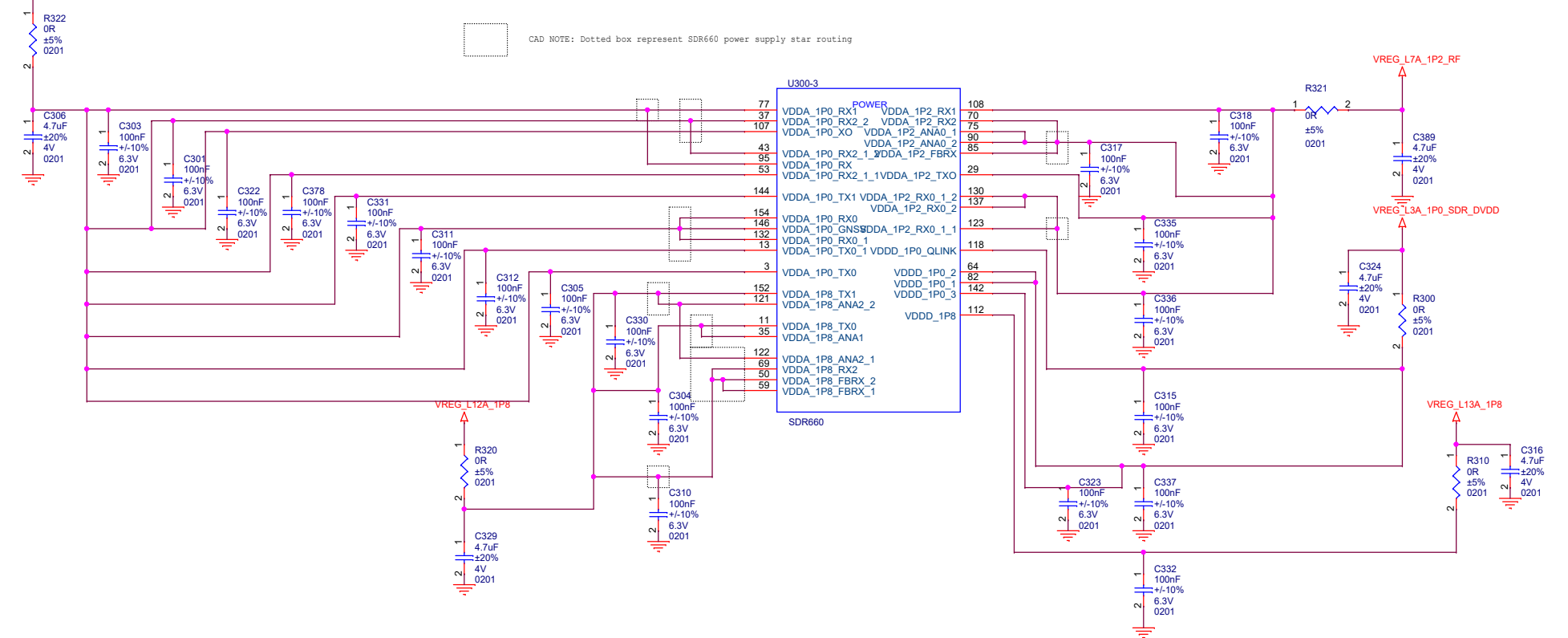
Title		
E4		
Size	Document Number	Rev
A4	QET4101	MOB
Date:	Saturday, April 28, 2018	Sheet 5 of 37



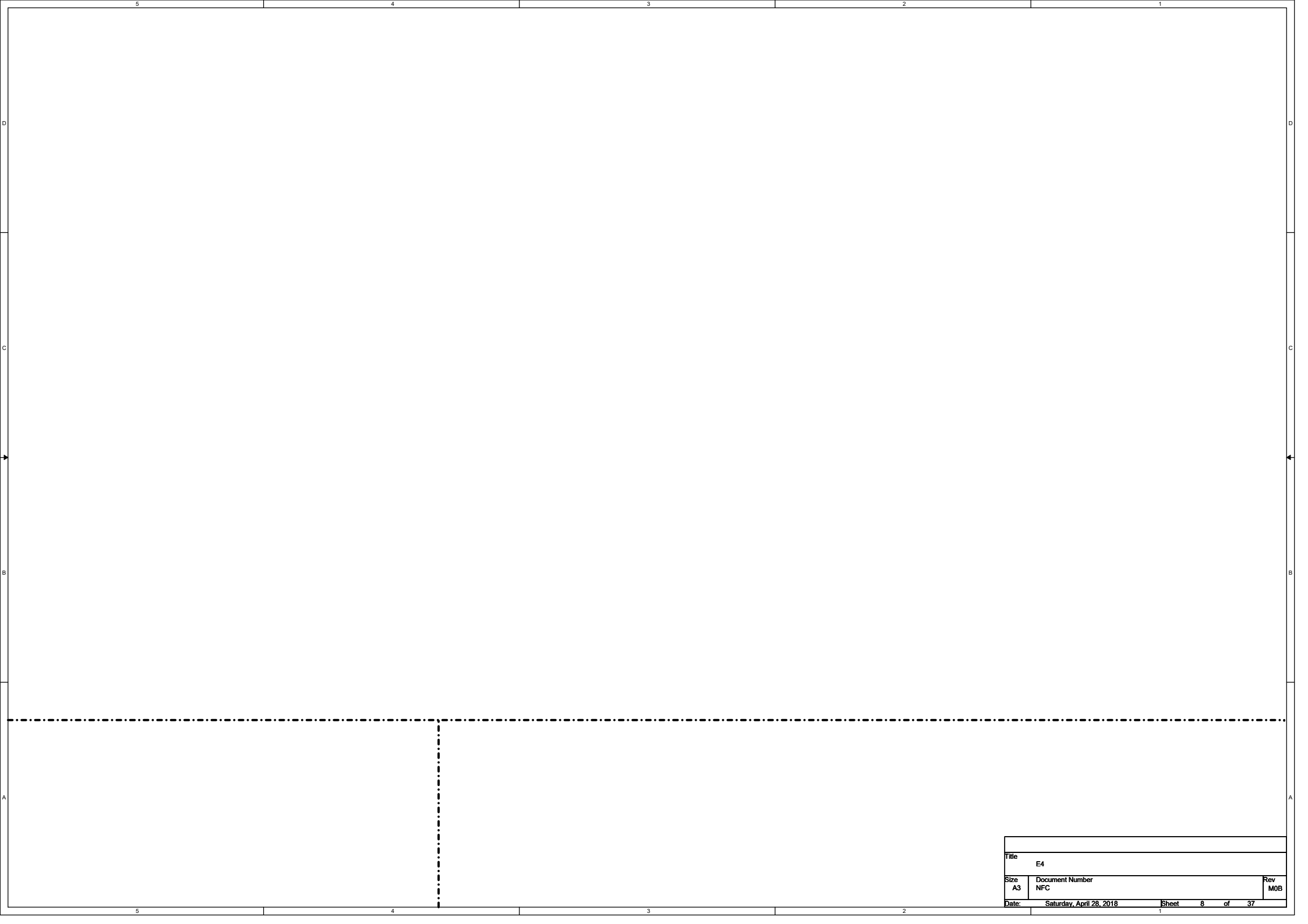
Title		
E4		
Size	Document Number	Rev
A3	WTR5975 MSS	MOB
Date:	Saturday, April 28, 2018	Sheet 6 of 37

VREG_L2A_1P0_SDR_AVDD

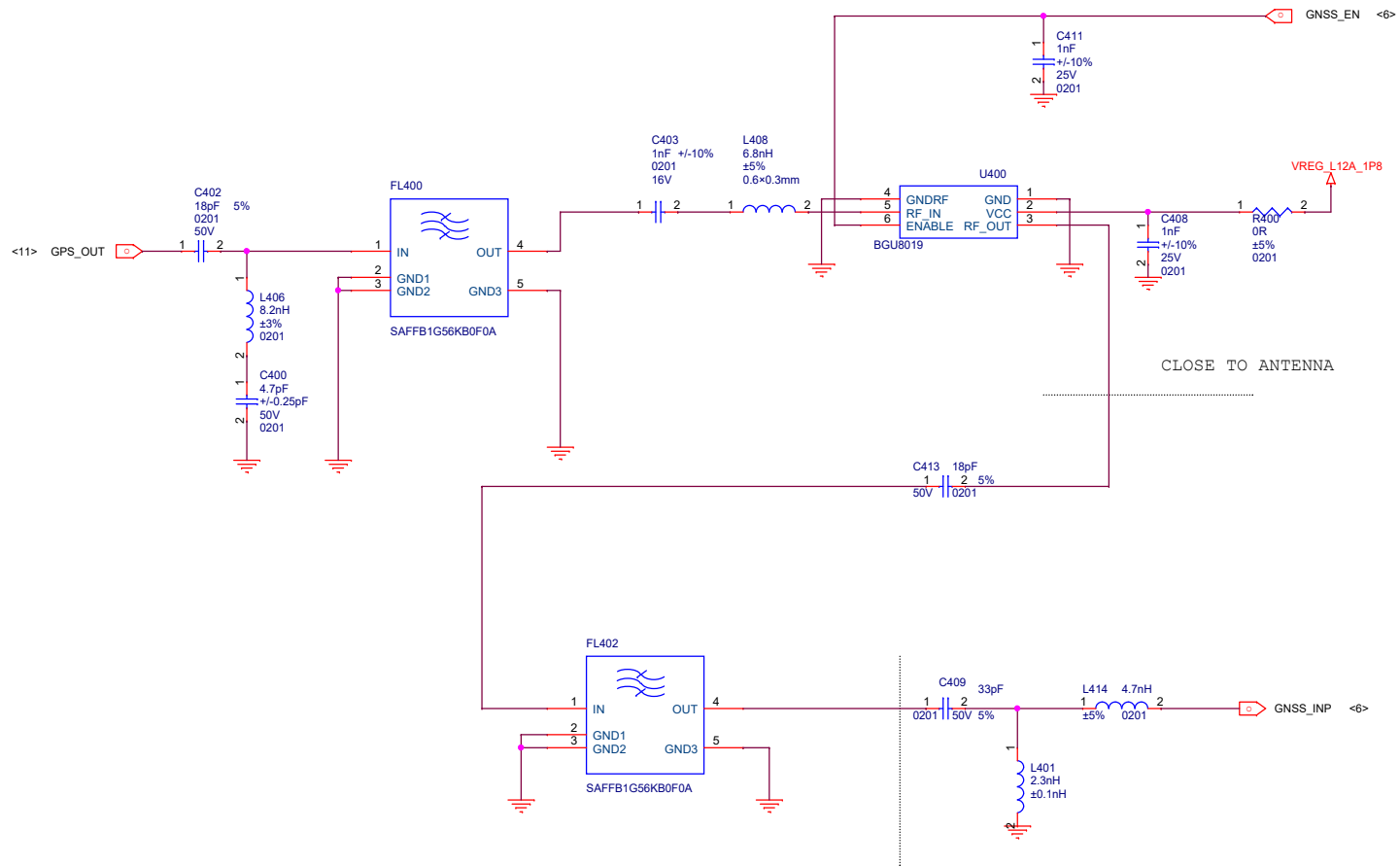
CAD NOTE: Dotted box represent SDR660 power supply star routing



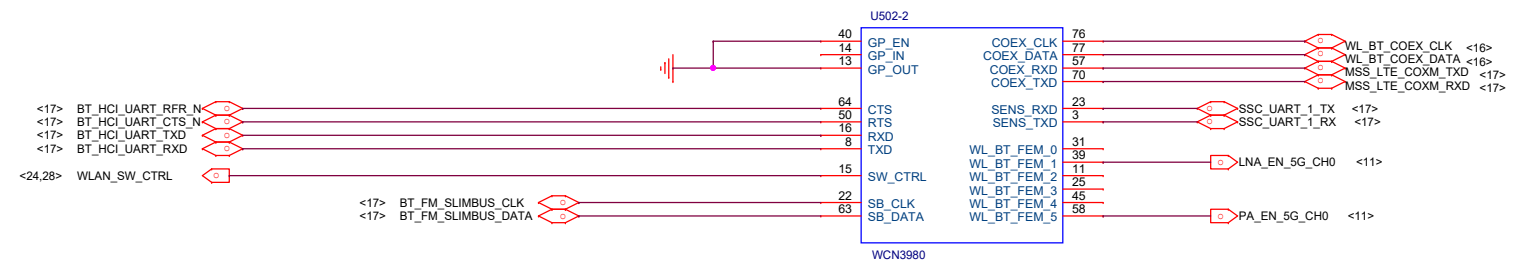
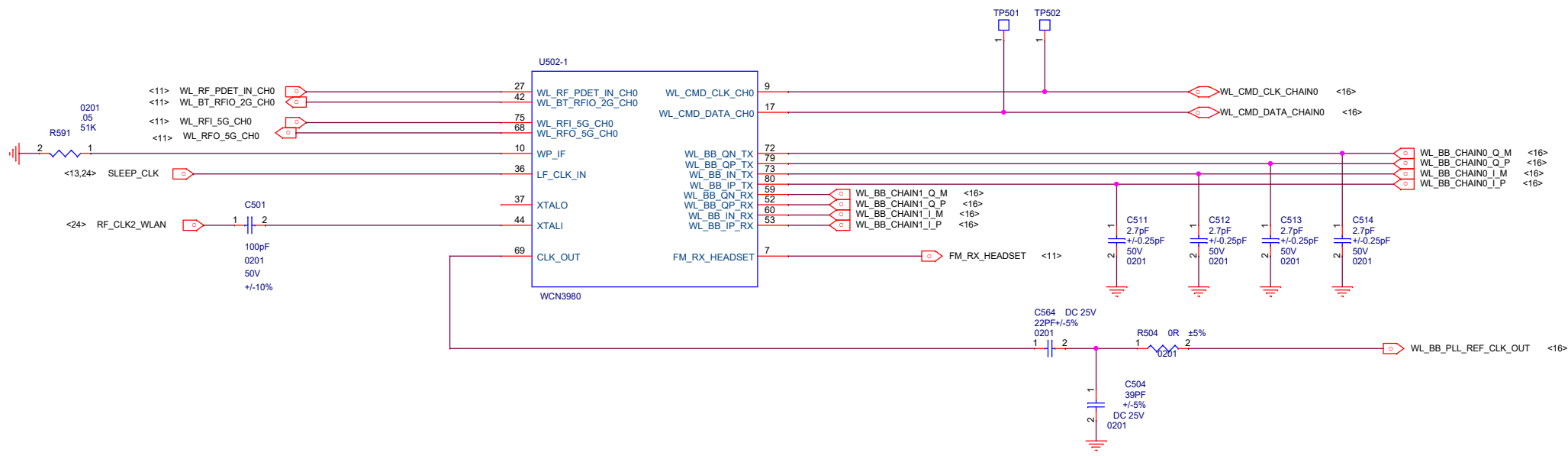
Title		
E4		
Size	Document Number	Rev
A3	WTR5975 POWER	M0B
Date:	Saturday, April 28, 2018	Sheet 7 of 37



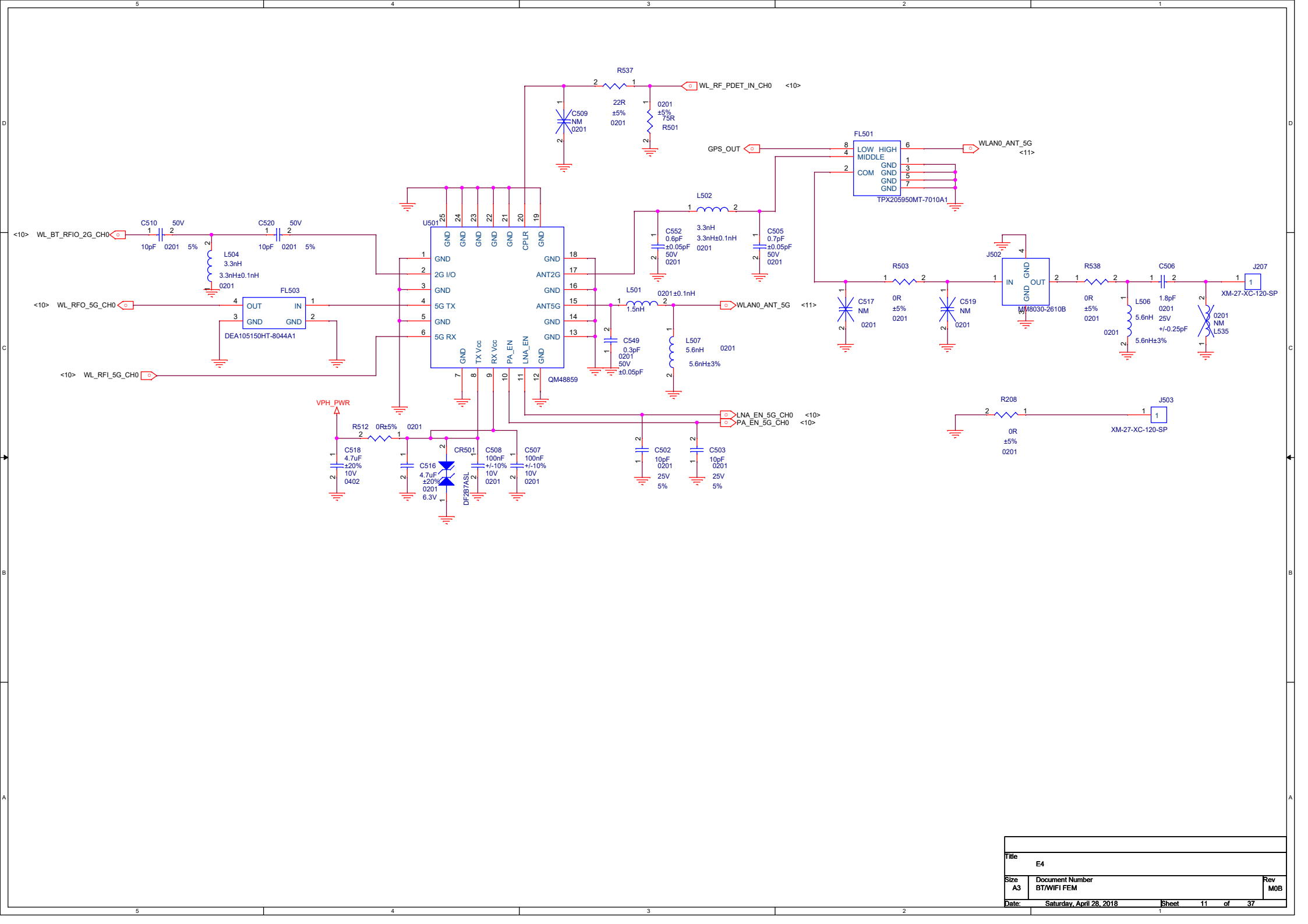
Title		
E4		
Size	Document Number	Rev
A3	NFC	MOB
Date:	Saturday, April 28, 2018	Sheet 8 of 37



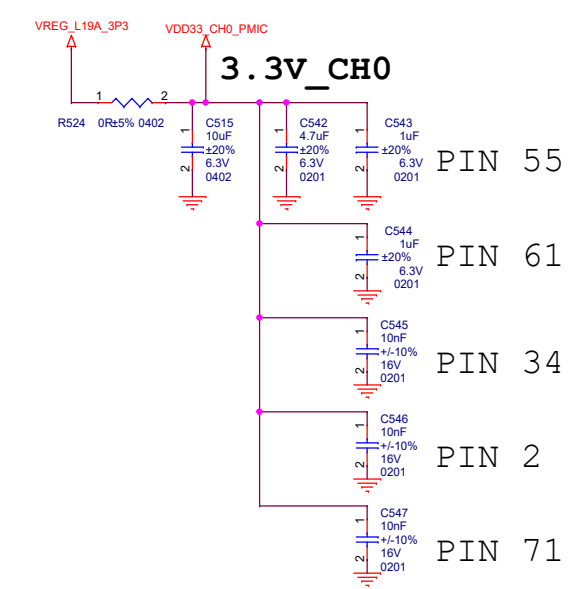
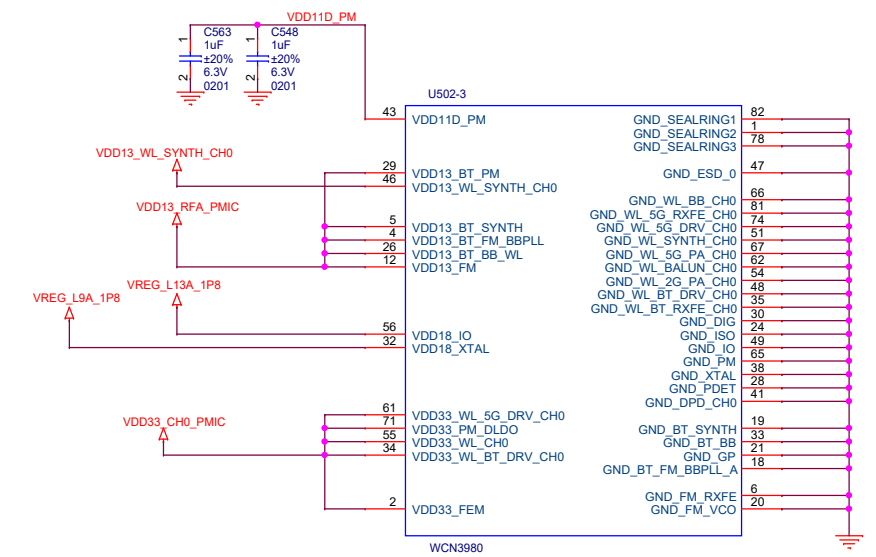
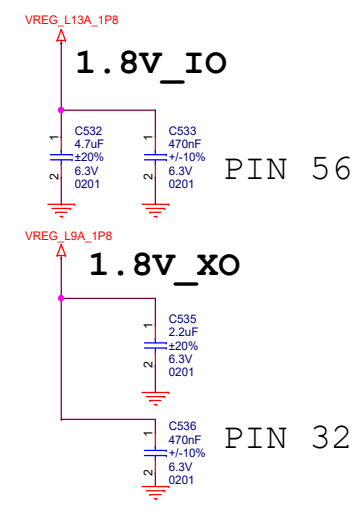
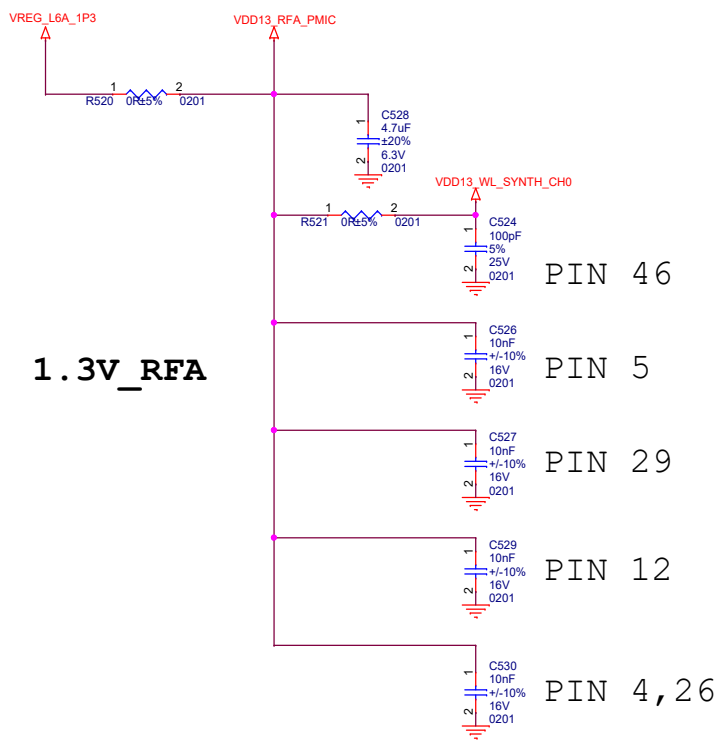
Title		
E4		
Size	Document Number	Rev
A3	GPS	M0B
Date:	Saturday, April 28, 2018	Sheet 9 of 37



Title		E4
Size	Document Number	Rev
A3	WIFI INTERFACE	MOB
Date:	Saturday, April 28, 2018	Sheet 10 of 37

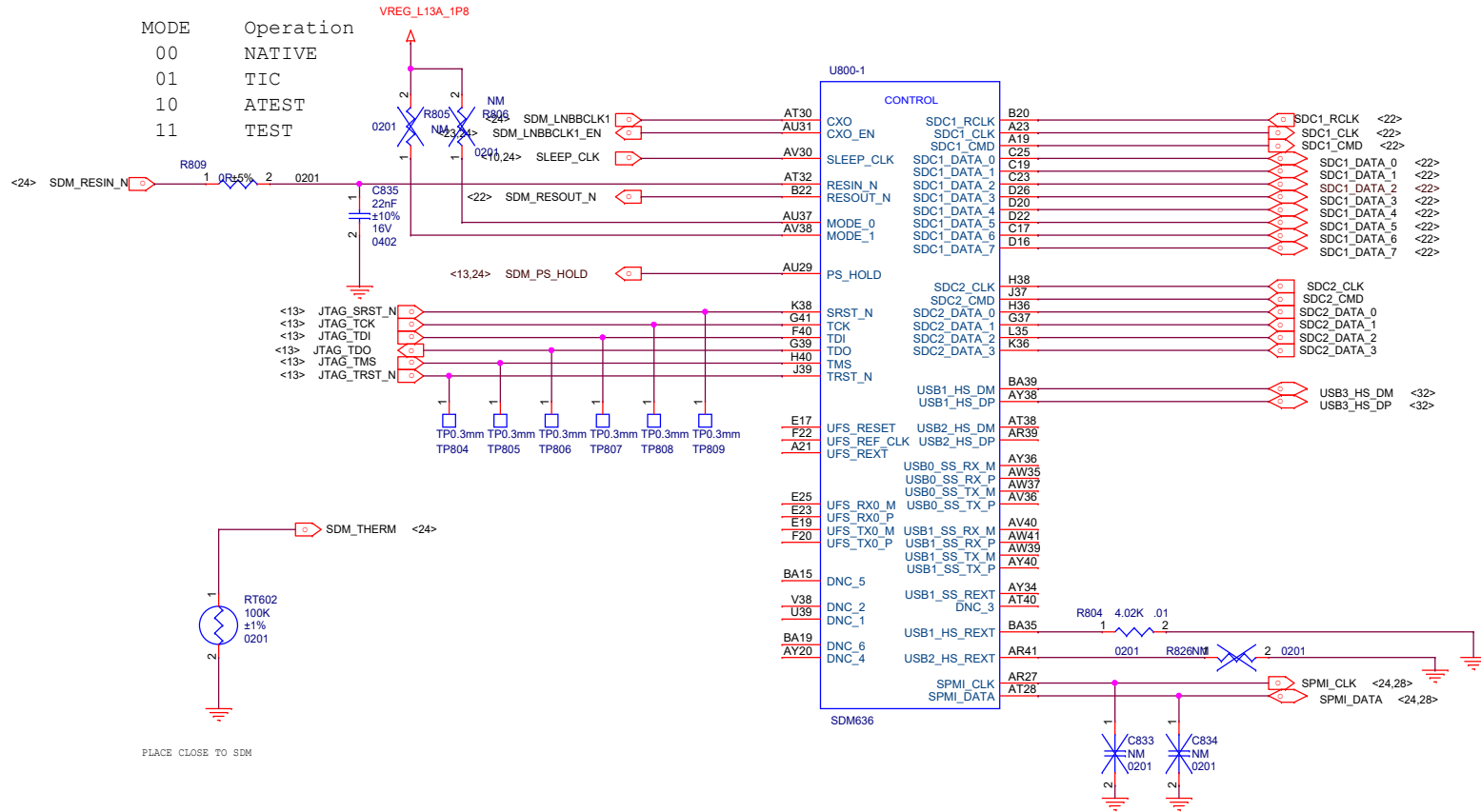


Title		E4
Size	Document Number	Rev
A3	BT/WIFI FEM	MOB
Date:	Saturday, April 28, 2018	Sheet 11 of 37

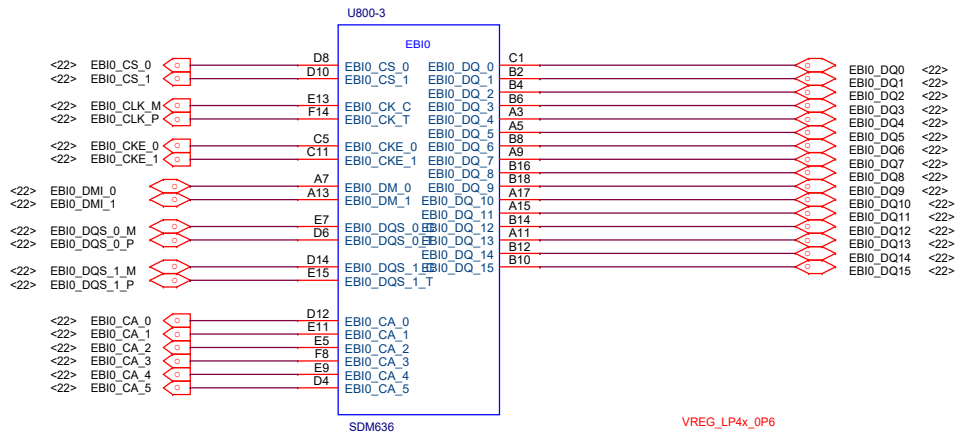


Title		E4	Rev
Size	A3	Document Number	BT/WLAN DECOUP
Date:	Saturday, April 28, 2018	Sheet	12 of 37

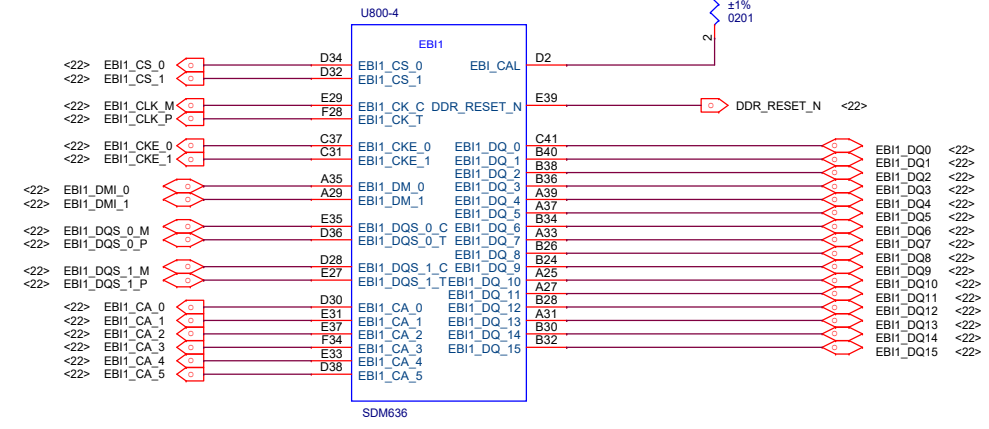
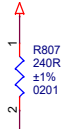
MODE	Operation
00	NATIVE
01	TIC
10	ATEST
11	TEST



Title		
E4		
Size	Document Number	Rev
A3	SDM660 Control	M0B
Date:	Saturday, April 28, 2018	Sheet 13 of 37



VREG_LP4x_OP6



Title			E4
Size	Document Number	Rev	
A3	SDM660 LPDDR4	MOB	
Date:	Saturday, April 28, 2018	Sheet	14 of 37

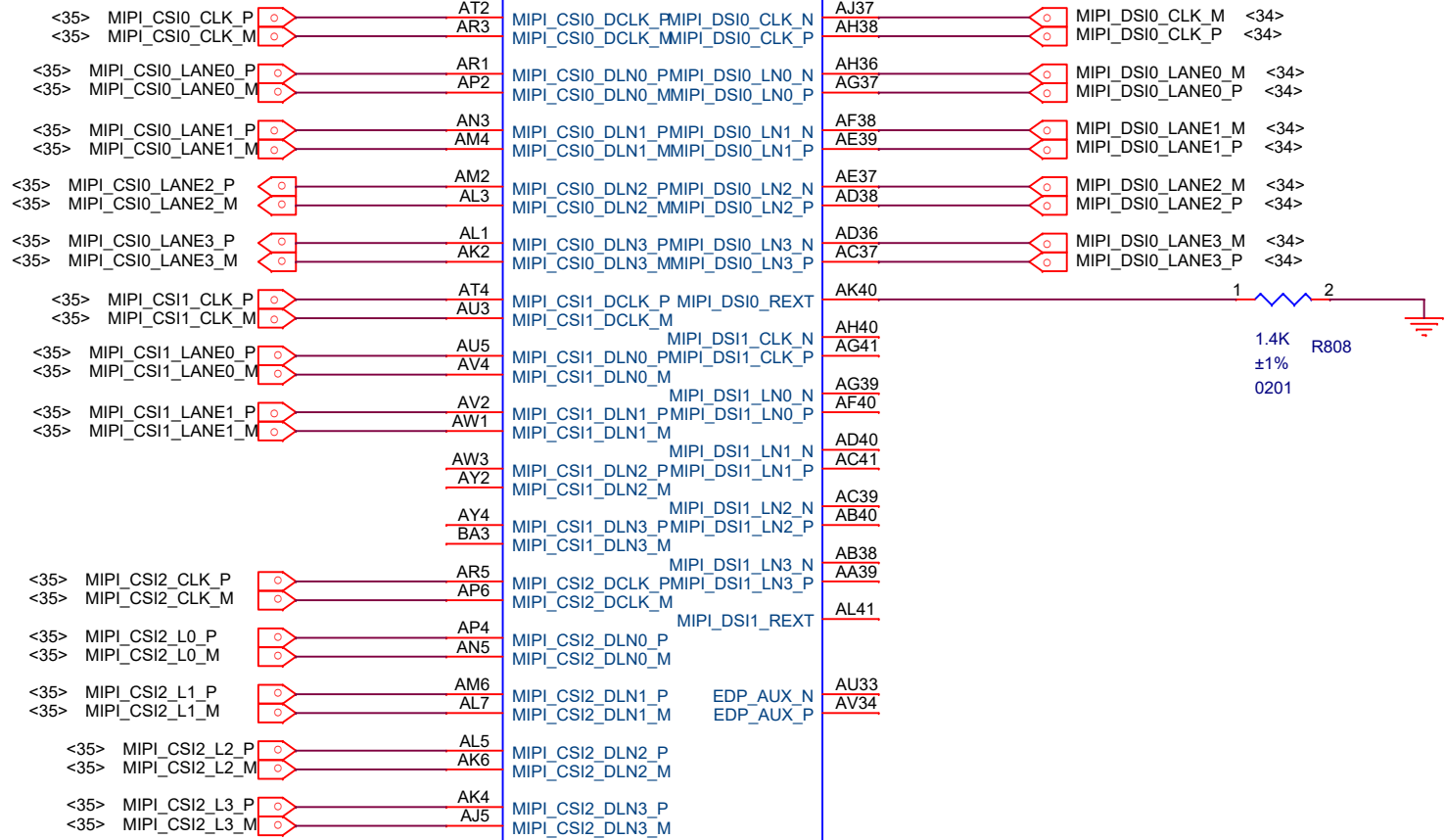
REAR CAMERA

AUX CAMERA

FRONT CAMERA

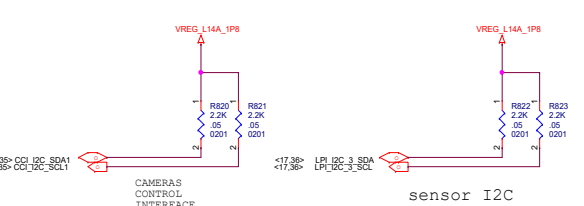
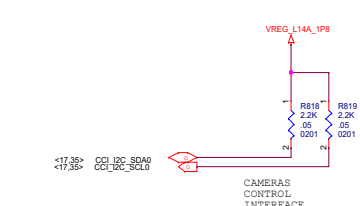
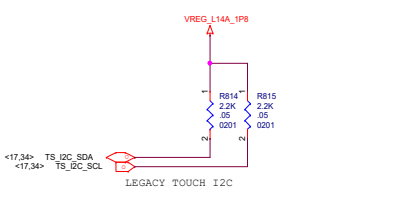
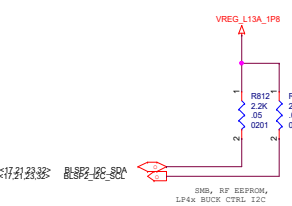
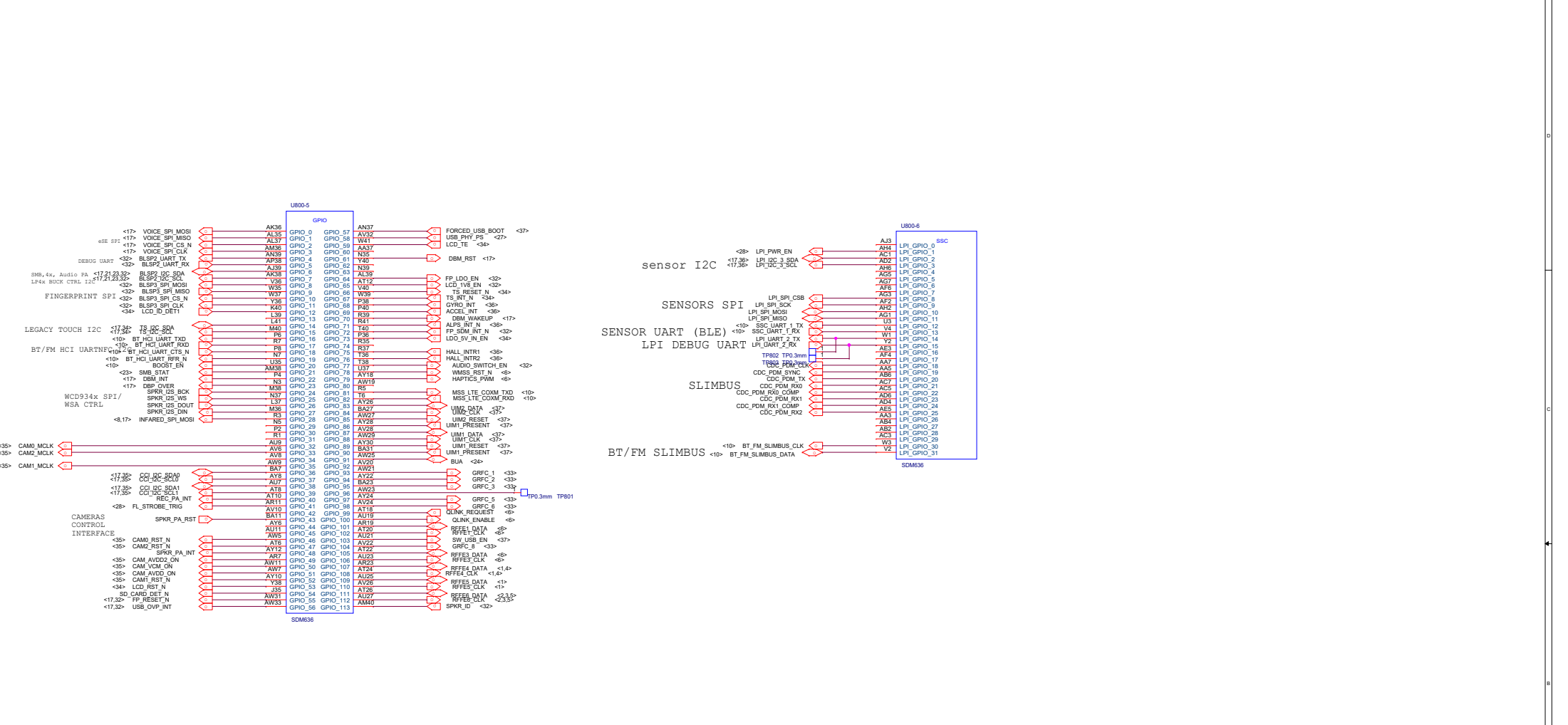
U800-7

MIPI

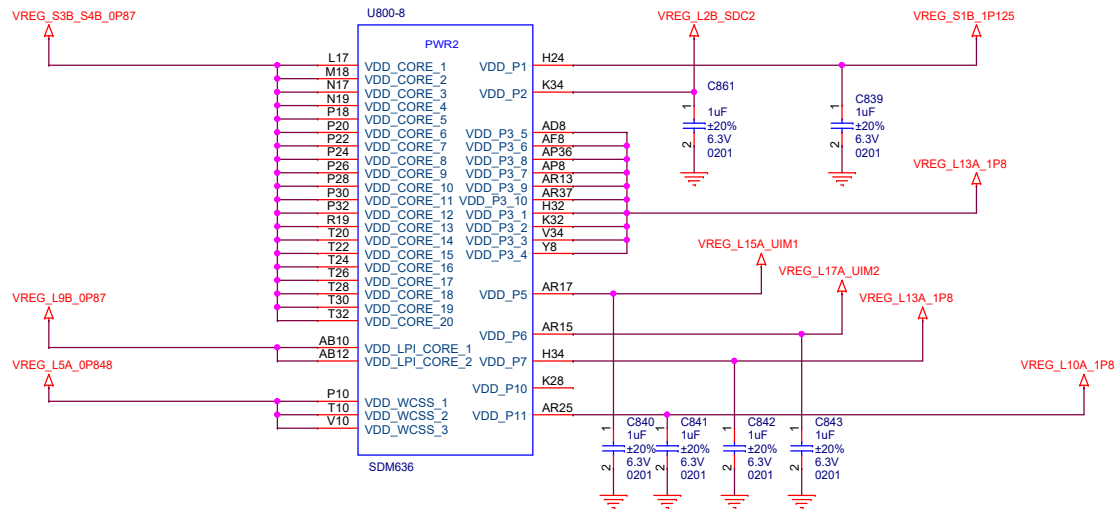
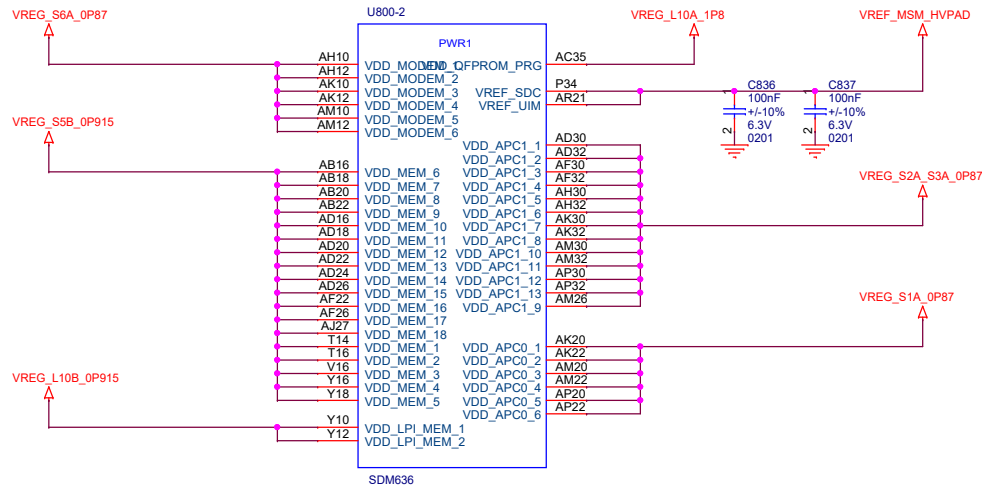


SDM636

Title		
E4		
Size	Document Number	Rev
A4	SDM660 CSI/DSI	MOB
Date:	Saturday, April 28, 2018	Sheet 15 of 37



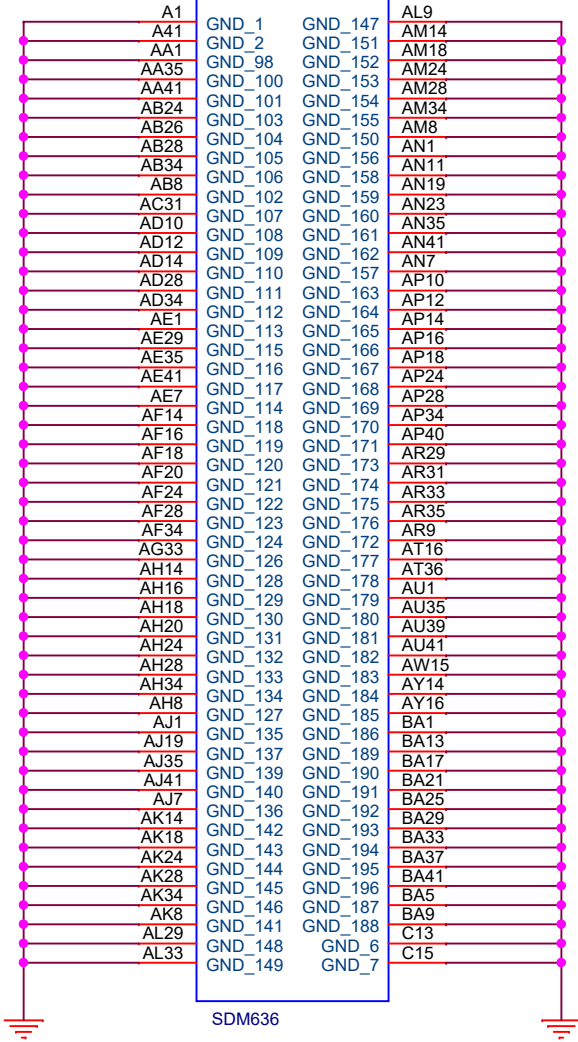
Title		E4	
Size	Document Number	SCHWBGPH01(Internal Code)	
A2	Rev	M08	
Date	Saturday, April 28, 2018	Sheet	17 of 37



Title		
E4		
Size	Document Number	Rev
A3	SDM660 Power1	MOB
Date:	Saturday, April 28, 2018	Sheet 18 of 37

U800-11

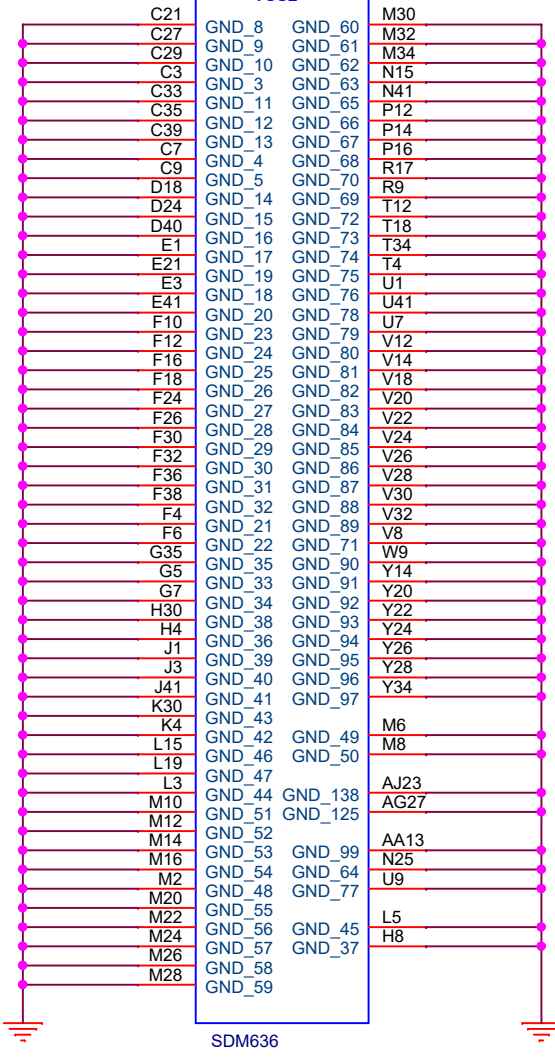
VSS1



SDM636

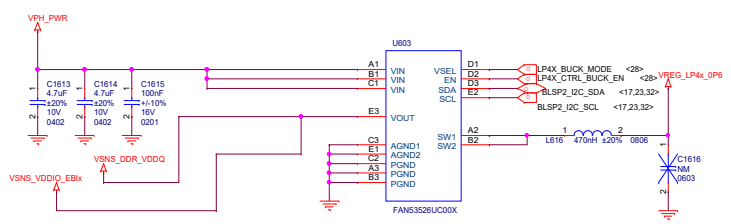
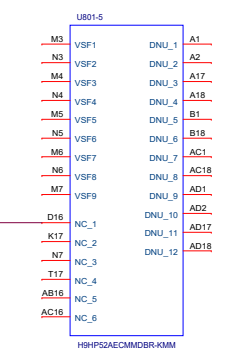
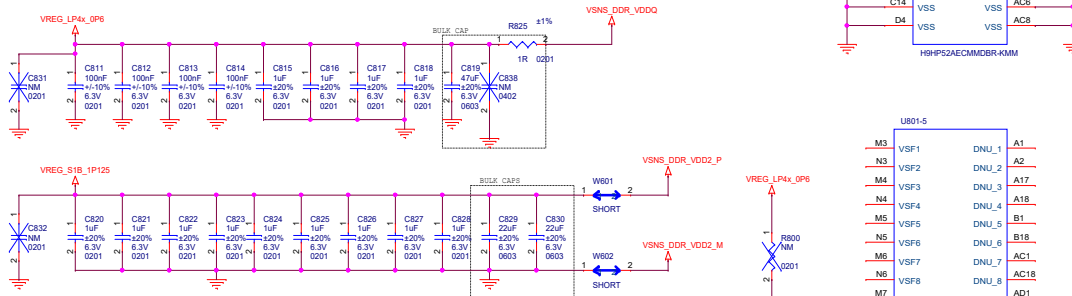
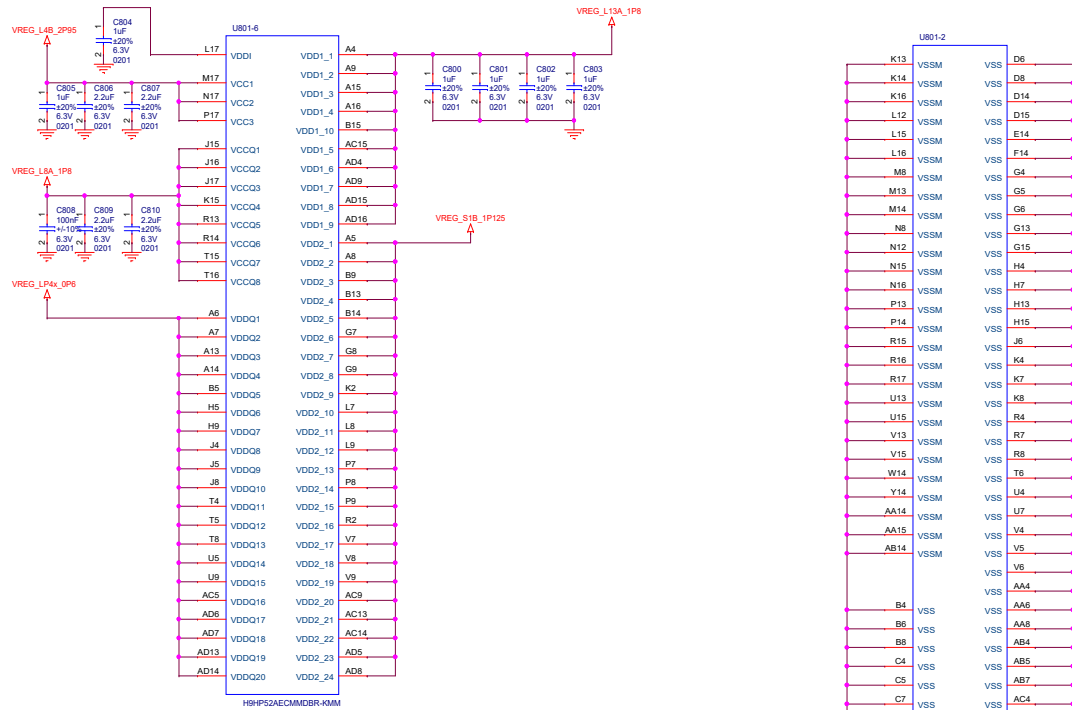
U800-12

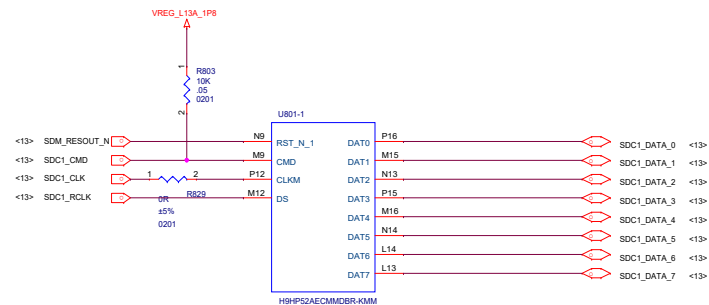
VSS2



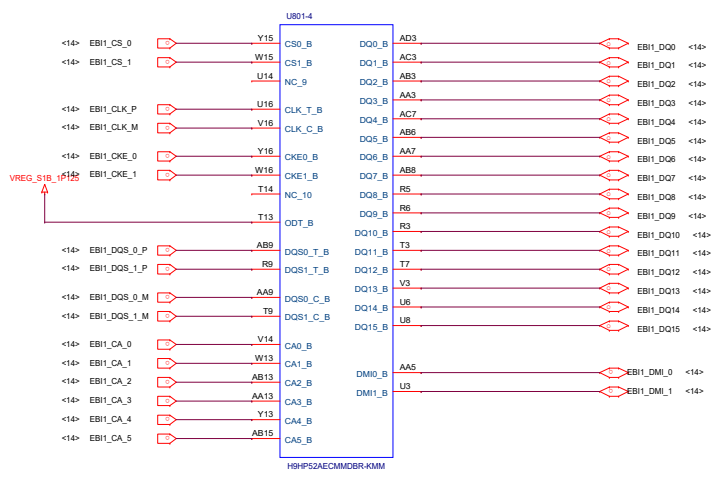
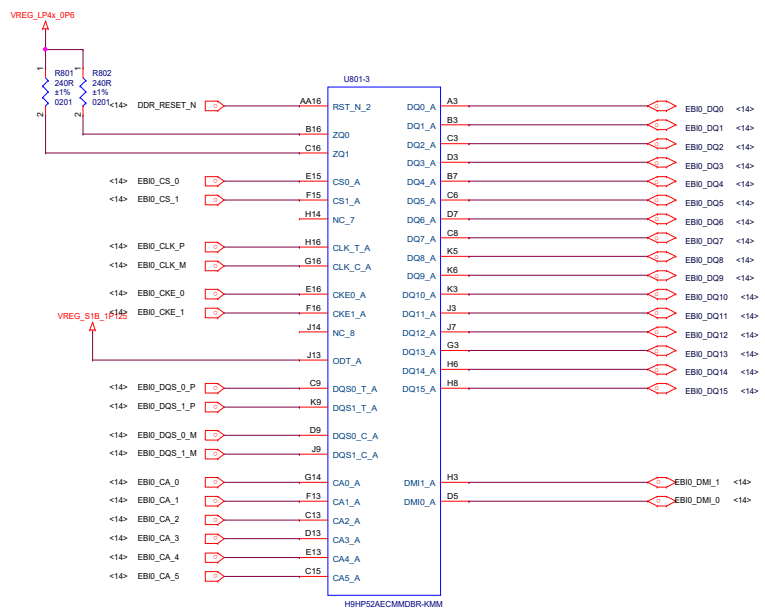
SDM636

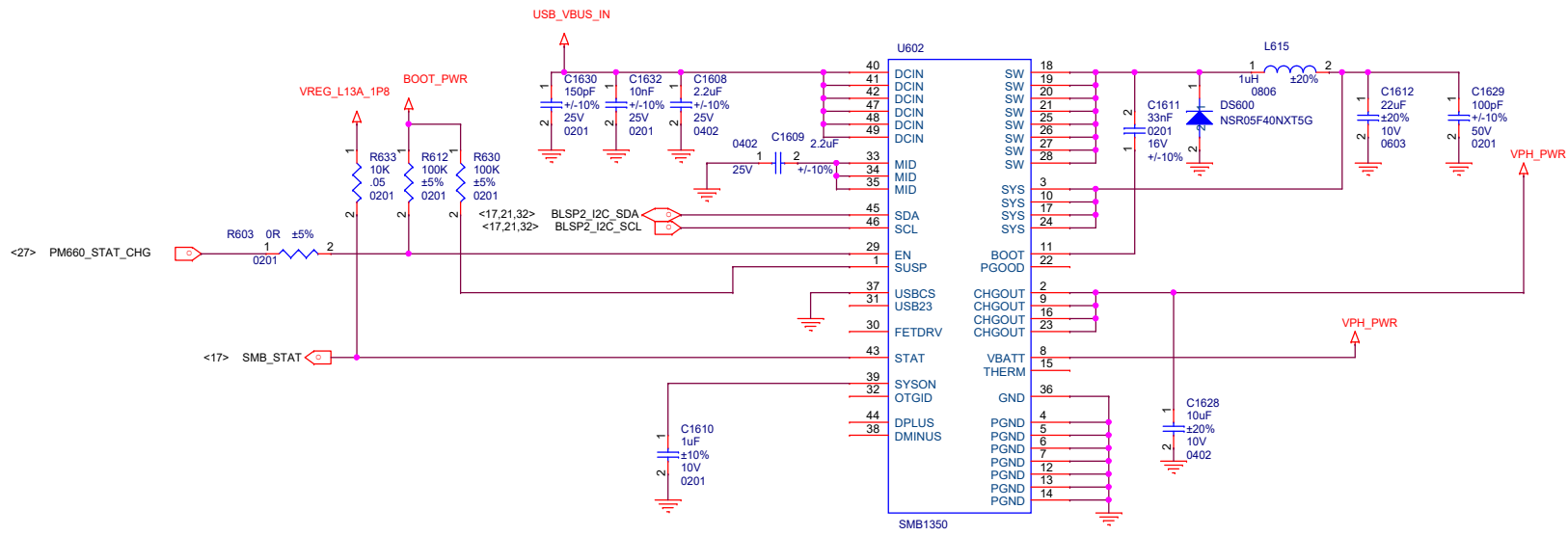
Title		
E4		
Size	Document Number	Rev
A4	SDM660 Ground	MOB
Date:	Saturday, April 28, 2018	Sheet 20 of 37



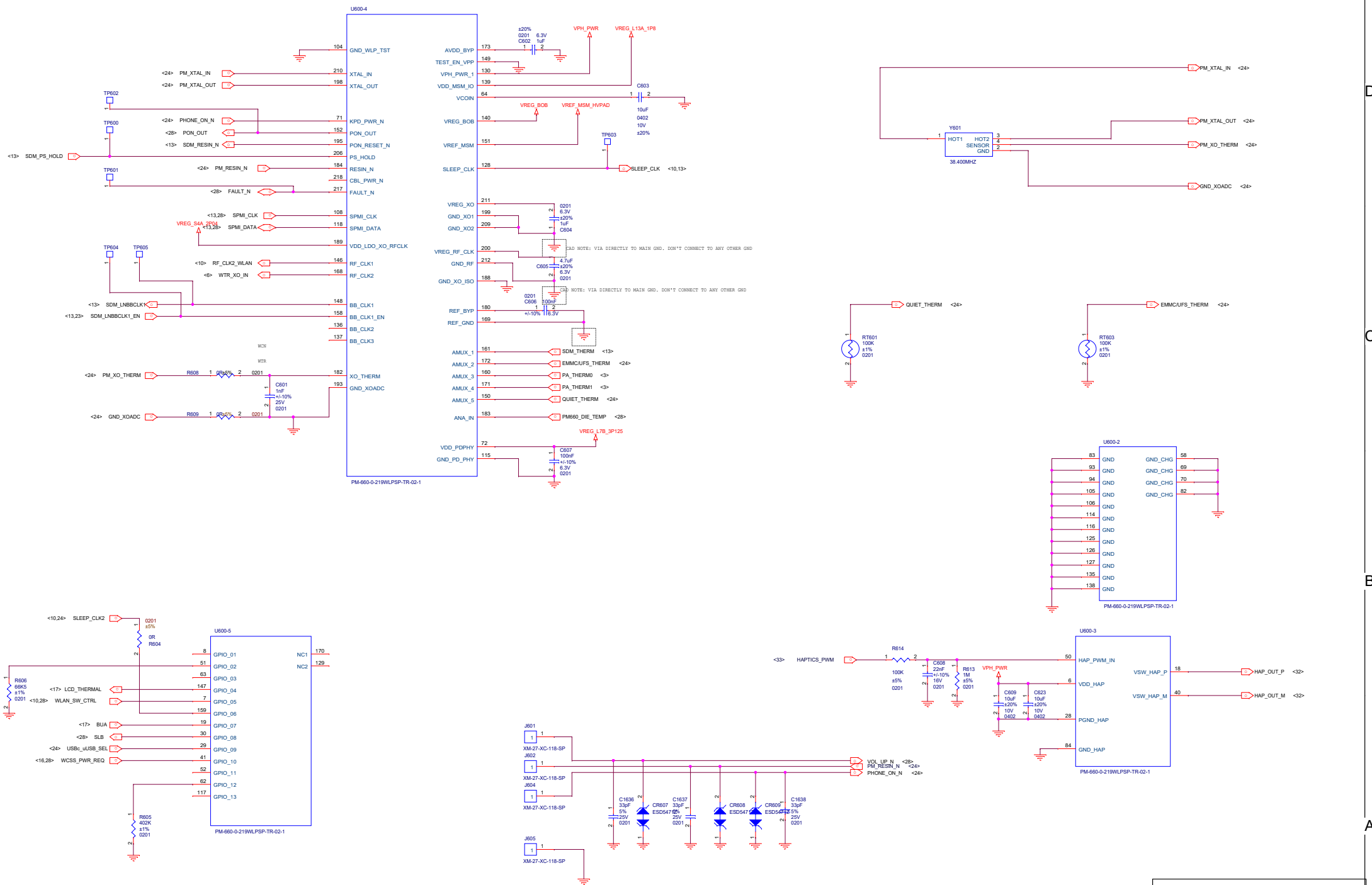


LPDDR4 / 4x

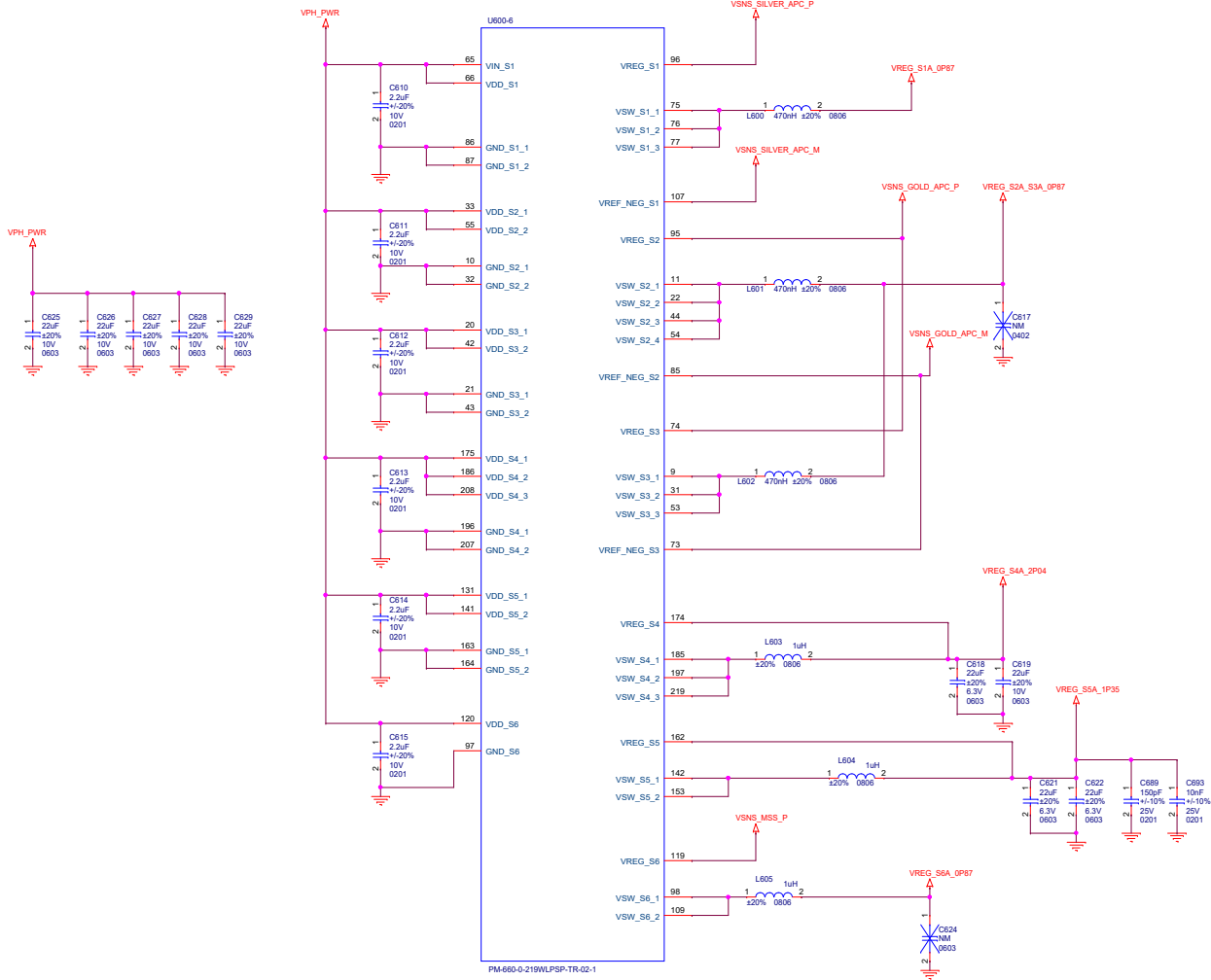




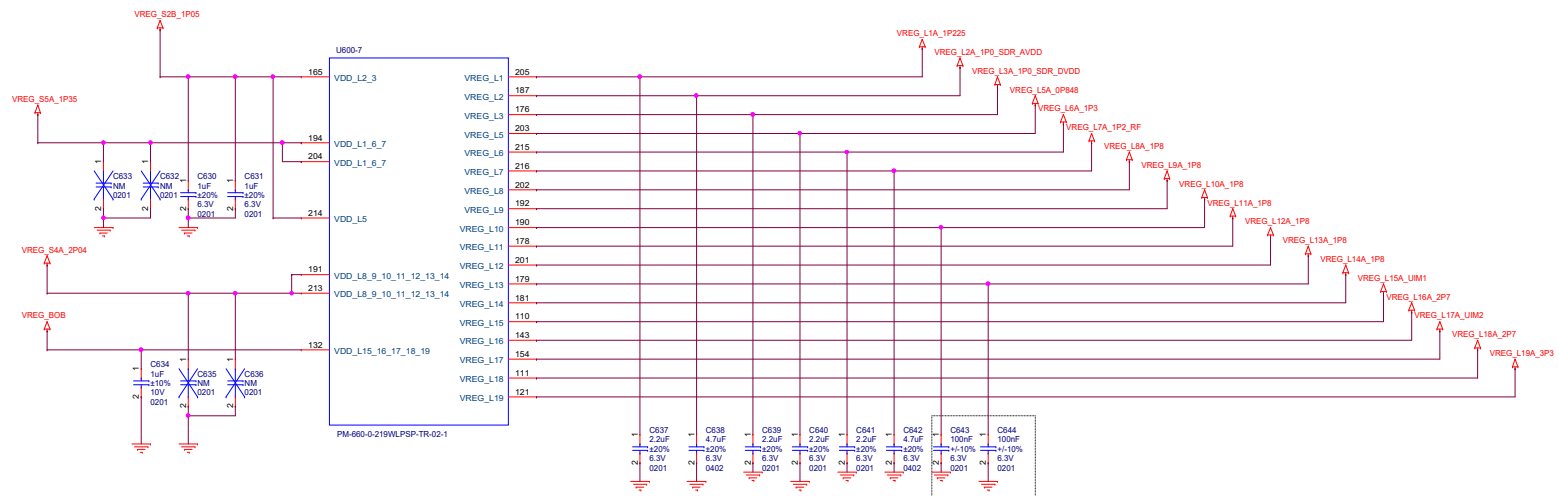
Title		E4
Size	Document Number	Rev
A3	SMB1351	MOB
Date:	Saturday, April 28, 2018	Sheet 23 of 37



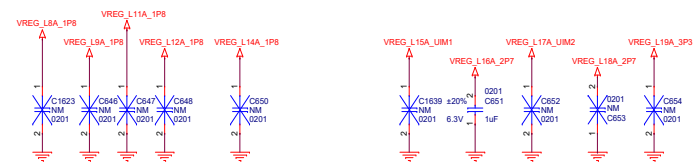
Title	E4		
Size	A2	Document Number	PM660-0-219WLPSP-TR-02-1
Date:	Saturday, April 28, 2018	Sheet	24 of 37



File	E4	
Size	Document Number	Rev
A2	PM660 Buck Converter	M06
Date:	Saturday, April 28, 2018	Sheet 25 of 37

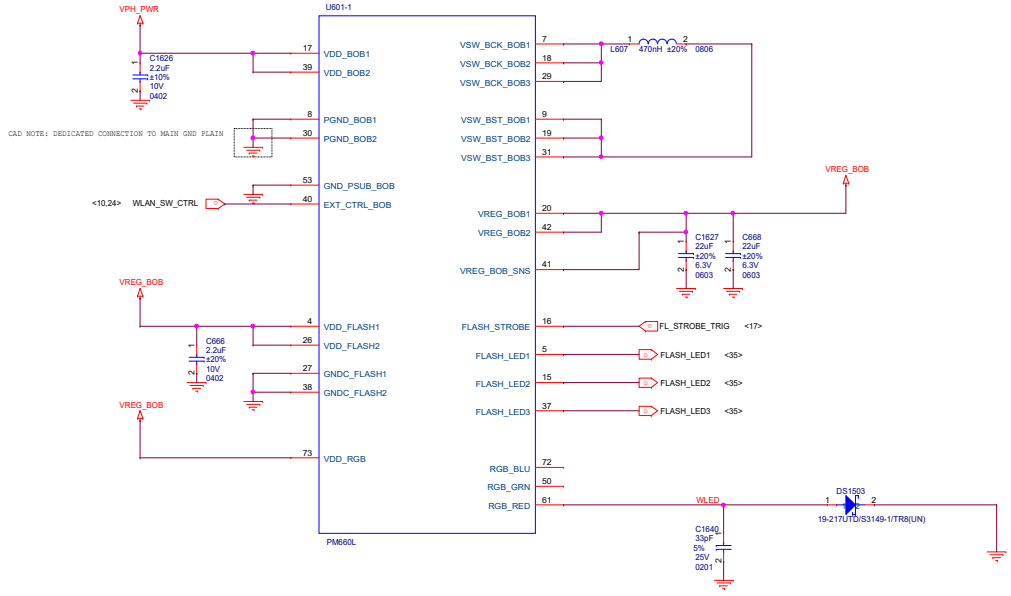
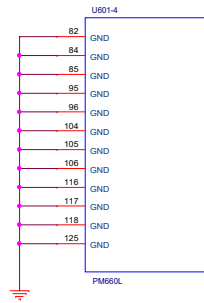
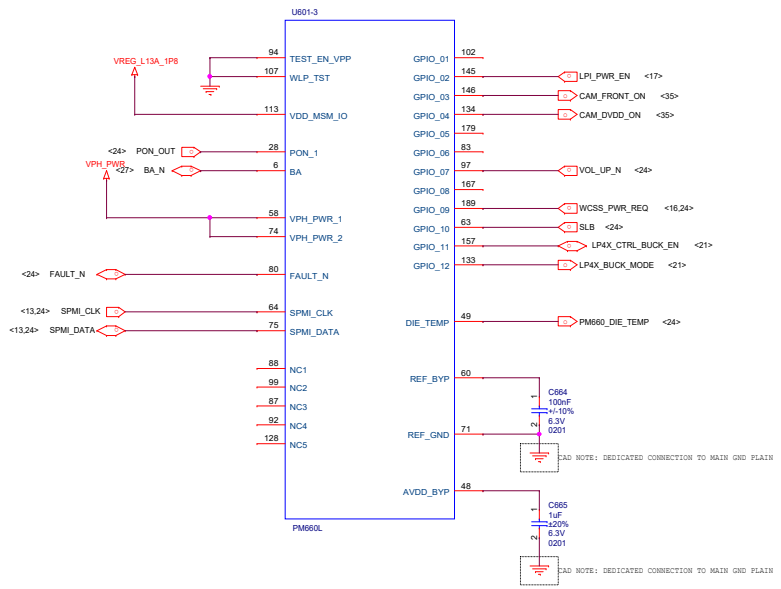


L004 USED INTERNAL TO PMIC NEED LOCAL DECAP

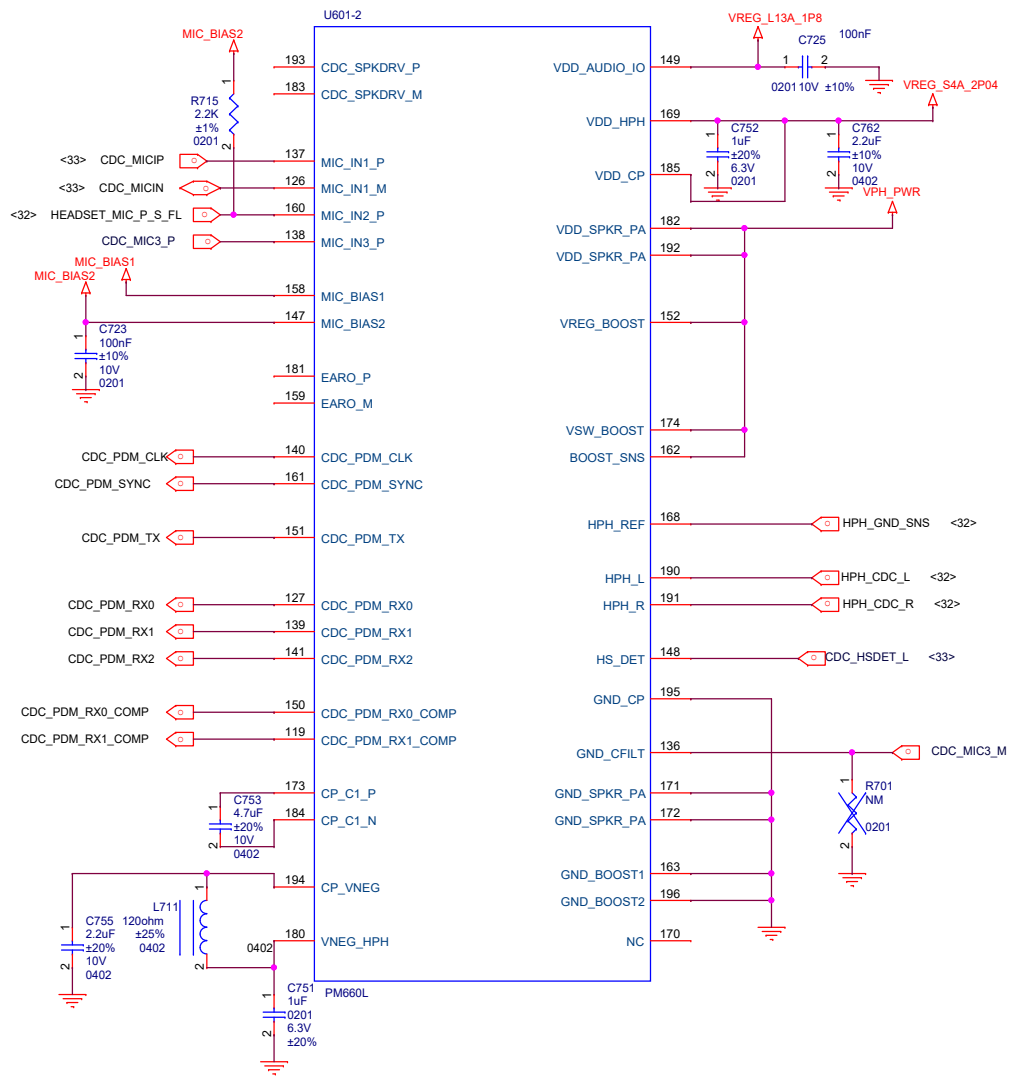


FREEMO CAPLESS LDOs
 For CAPLESS LDOs: If decaps on the load side do not
 add up to LDO spec, then install the cap close to the PMIC

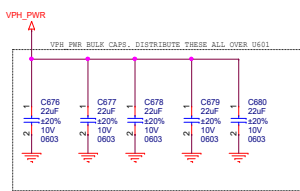
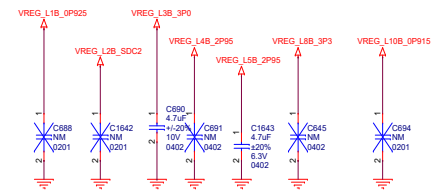
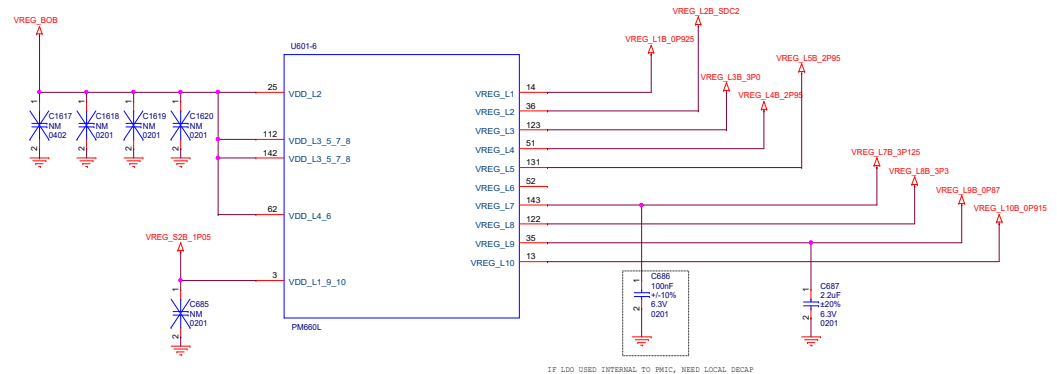
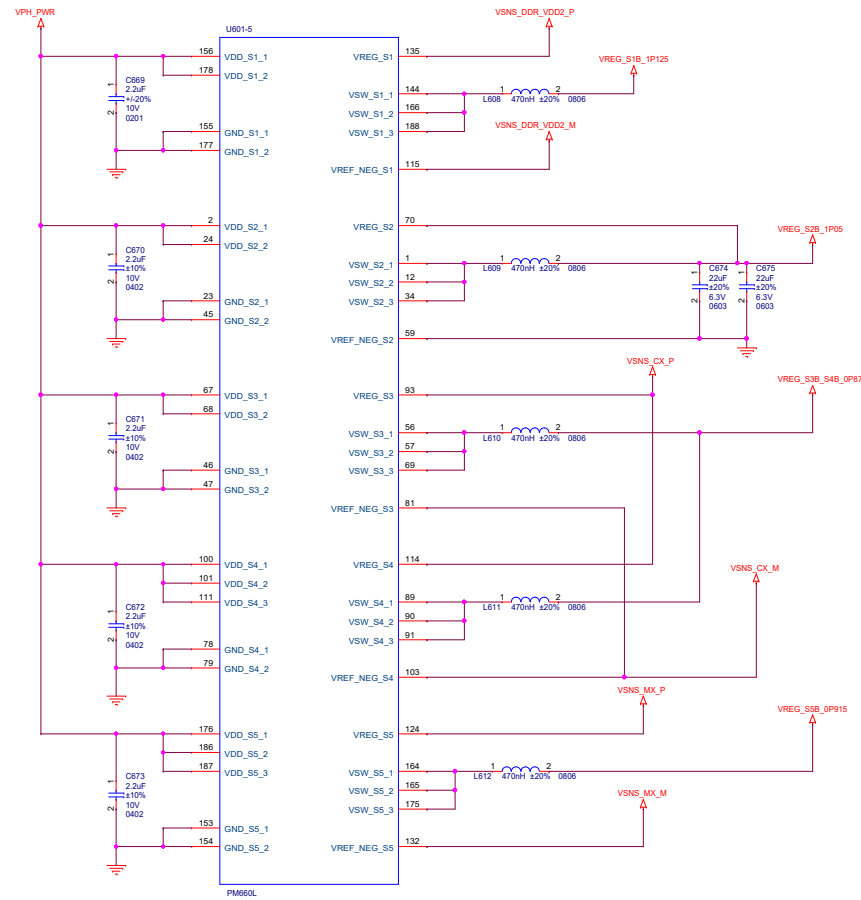
Title			E4		
Size	Document Number				Rev
A2	PM660 LDO Circuits				M02
Date	Saturday, April 28, 2018	Sheet	26	of	37



Title			E4		
Size	Document Number		Rev		
A2	PM660L.ControllerandBobFlash		M0B		
Date	Saturday, April 28, 2018		Sheet 28 of 37		

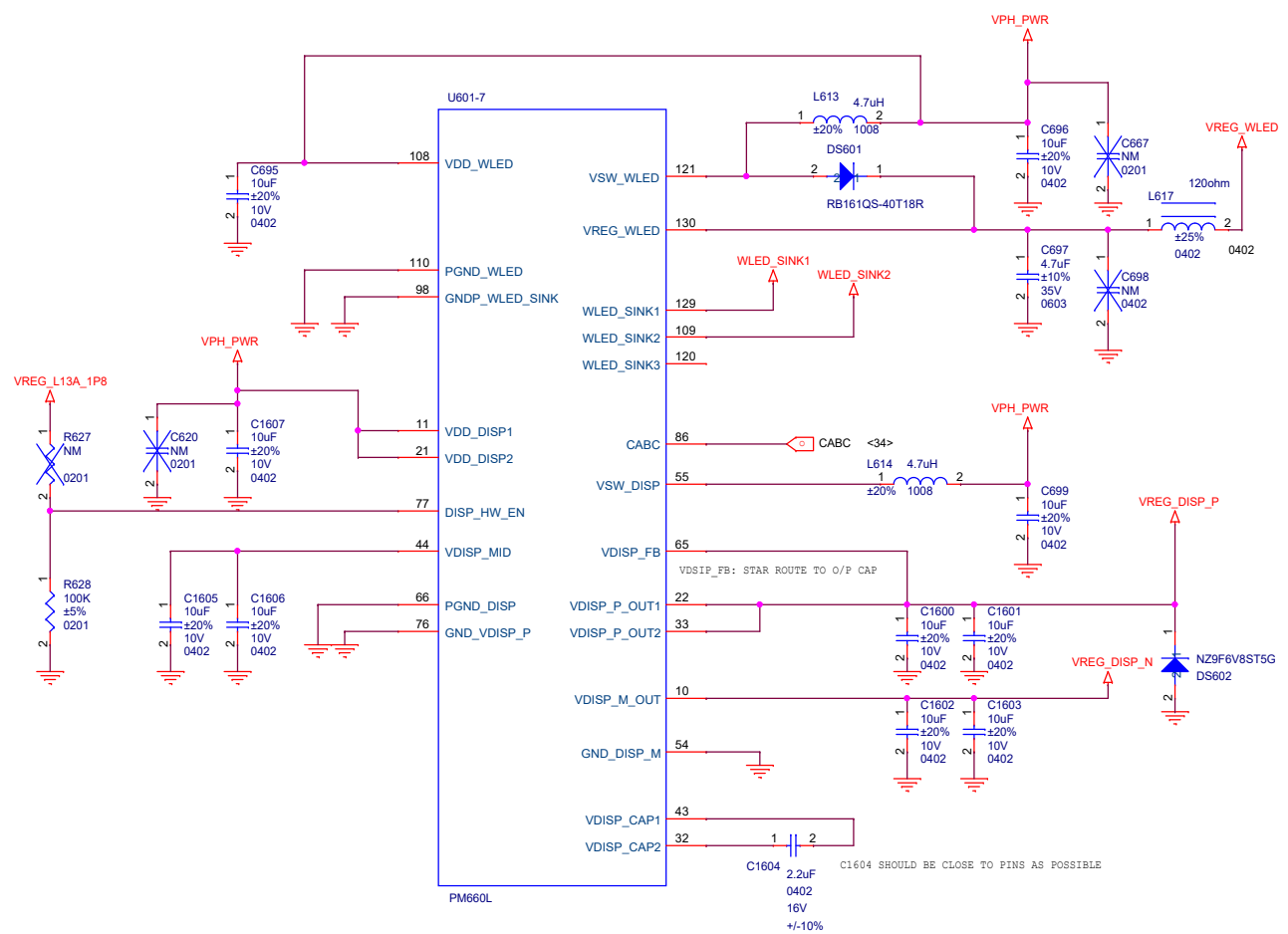


Title		E4
Size	Document Number	Rev
A3	PM660L CODEC (Internal)	MOB
Date:	Saturday, April 28, 2018	Sheet 29 of 37



IF LDO USED INTERNAL TO PMIC, NEED LOCAL DECAP

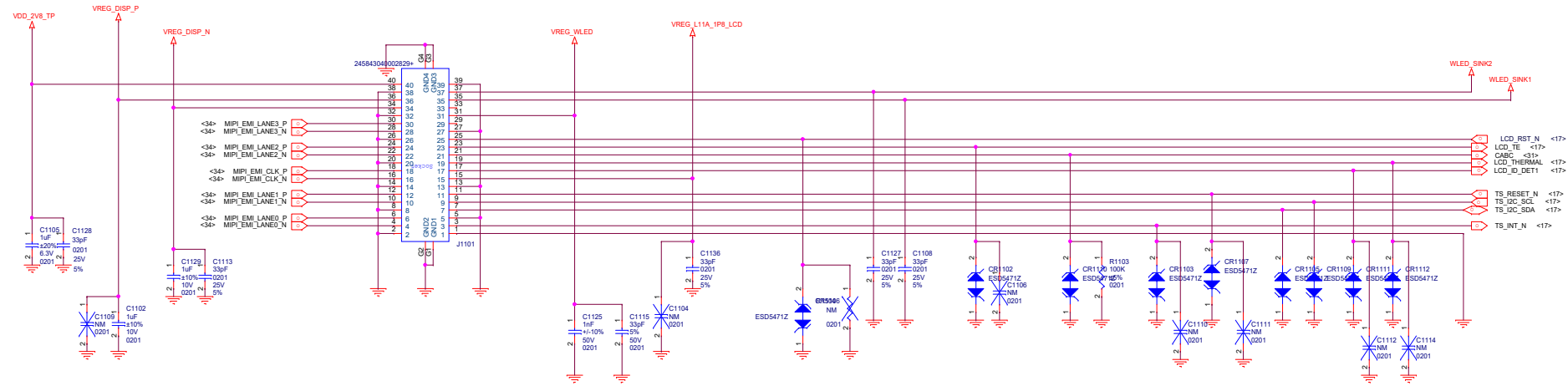
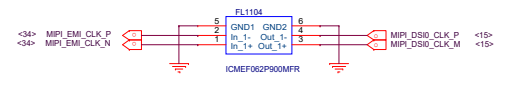
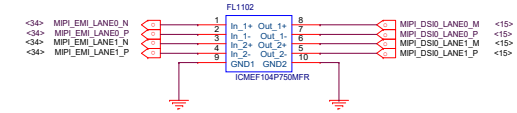
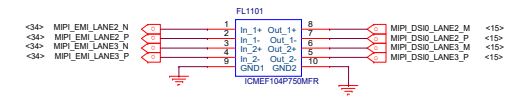
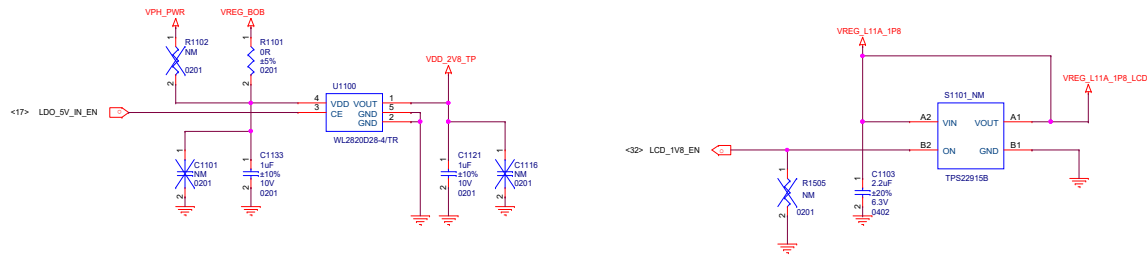
Title		E4	
Size	A2	Document Number	PM660L Buck and LDO
Date	Saturday, April 28, 2018	Sheet	30 of 37



C1604 2.2uF 0402 16V +/-10%
 C1604 SHOULD BE CLOSE TO PINS AS POSSIBLE

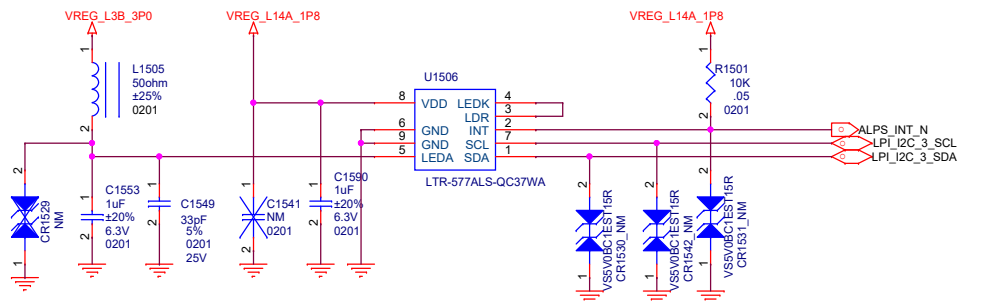
Title		E4
Size	Document Number	Rev
A3	PM660L Display (LCD)	MOB
Date:	Saturday, April 28, 2018	Sheet 31 of 37

TP

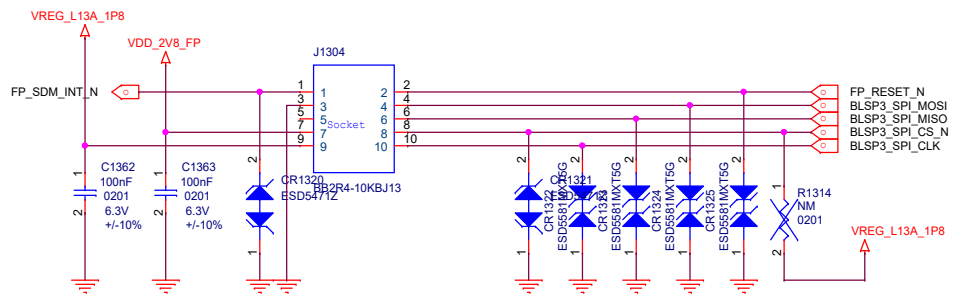


Title		E4	
Size	Document Number	Rev	
A2	LCD	1	MOB
Date:	Saturday, April 28, 2018	Sheet	34 of 37

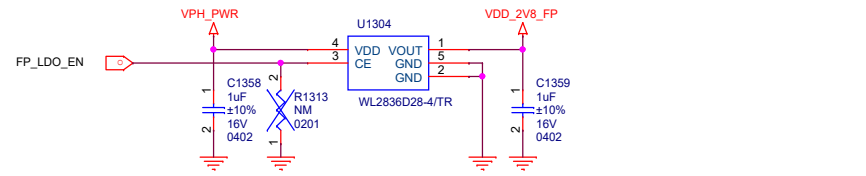
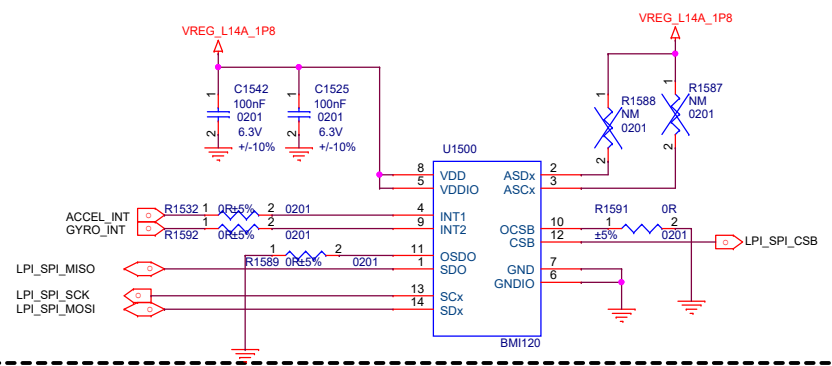
P-sensor



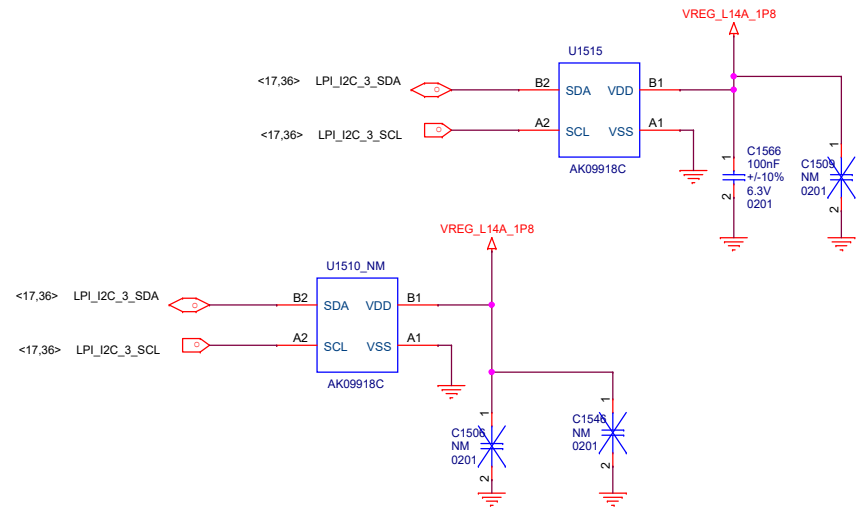
FINGER PRINT



A+G

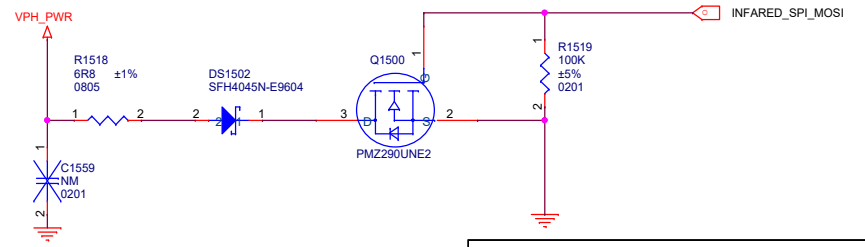


COMPASS

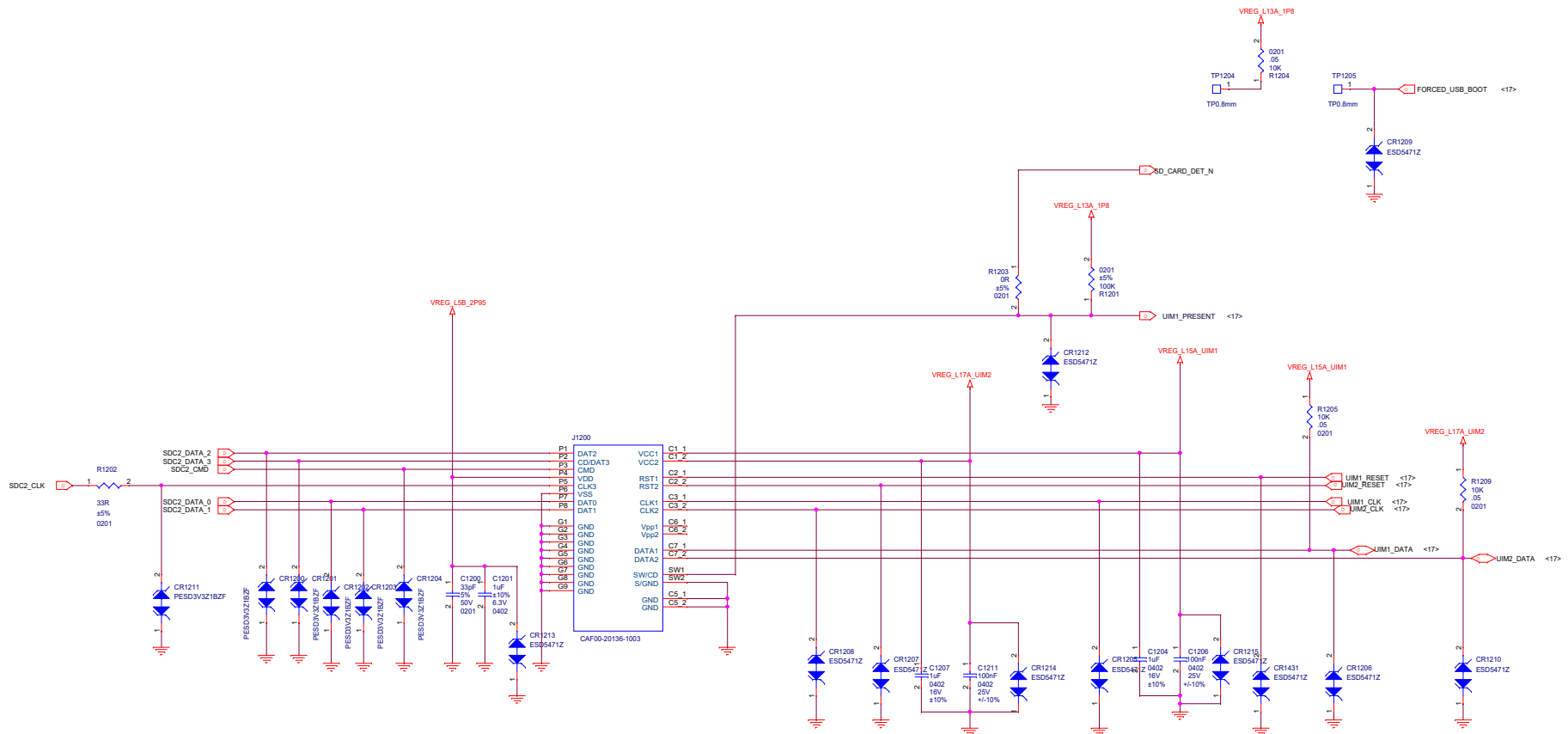


HALL

INFARED



Title	E4	
Size	Document Number	Rev
A3	SENSOR	MOB
Date:	Sheet	36 of 37



Title		E4	
Size	Document Number	Rev	
A2		MOB	
Date:		Sheet 37 of 37	