

U709

SH4

U502

U500

U501

SH5

U1500

U1506

J1200

U800

J1506

VIETMOBILE.VN

SH6

U204

SH2

U804

U600

U203

L602

L604

L605

L606

L607

C604

C608

C623

C687

C689

C696

C607

C1519

K1

J104

J111

J101

J116

J106

J109

J107

J1534

J1535

J1531

J1532

J1533

J1200

J1201

J1202

J1203

J1204

J1205

J1206

J1207

J1208

J1209

J1210

J1211

J1212

J1213

J1214

J1215

J1216

J1217

J1218

J1219

J1220

J1221

J1222

J1223

J1224

J1225

J1226

J1227

J1228

J1229

J1230

J1231

J1232

J1233

J1234

J1235

J1236

J1237

J1238

J1239

J1240

J1241

J1242

J1243

J1244

J1245

J1246

J1247

J1248

J1249

J1250

J1251

J1252

J1253

J1254

J1255

J1256

J1257

J1258

J1259

J1260

J1261

J1262

J1263

J1264

J1265

J1266

J1267

J1268

J1269

J1270

J1271

J1272

J1273

J1274

J1275

J1276

J1277

J1278

J1279

J1280

J1281

J1282

J1283

J1284

J1285

J1286

J1287

J1288

J1289

J1290

J1291

J1292

J1293

J1294

J1295

J1296

J1297

J1298

J1299

J1300

J1301

J1302

J1303

J1304

J1305

J1306

J1307

J1308

J1309

J1310

J1311

J1312

J1313

J1314

J1315

J1316

J1317

J1318

J1319

J1320

J1321

J1322

J1323

J1324

J1325

J1326

J1327

J1328

J1329

J1330

J1331

J1332

J1333

J1334

J1335

J1336

J1337

J1338

J1339

J1340

J1341

J1342

J1343

J1344

J1345

J1346

J1347

J1348

J1349

J1350

J1351

J1352

J1353

J1354

J1355

J1356

J1357

J1358

J1359

J1360

J1361

J1362

J1363

J1364

J1365

J1366

J1367

J1368

J1369

J1370

J1371

J1372

J1373

J1374

J1375

J1376

J1377

J1378

J1379

J1380

J1381

J1382

J1383

J1384

J1385

J1386

J1387

J1388

J1389

J1390

J1391

J1392

J1393

J1394

J1395

J1396

J1397

J1398

J1399

J1400

J1401

J1402

J1403

J1404

J1405

J1406

J1407

J1408

J1409

J1410

J1411

J1412

J1413

J1414

J1415

J1416

J1417

J1418

J1419

J1420

J1421

J1422

J1423

J1424

J1425

J1426

J1427

J1428

J1429

J1430

J1431

J1432

J1433

J1434

J1435

J1436

J1437

J1438

J1439

J1440

J1441

J1442

J1443

J1444

J1445

J1446

J1447

J1448

J1449

J1450

J1451

J1452

J1453

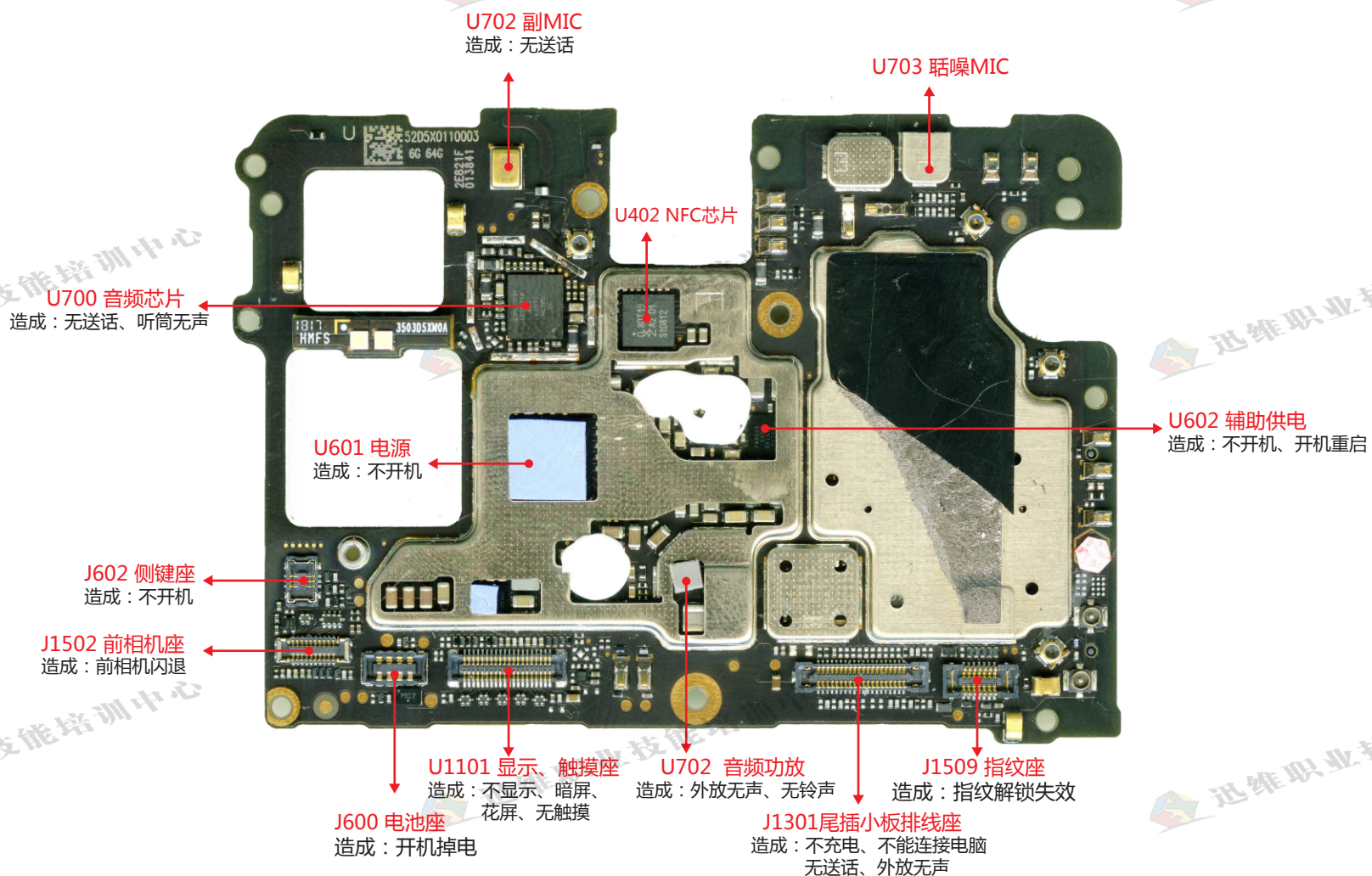
J1454

J1455

J1456

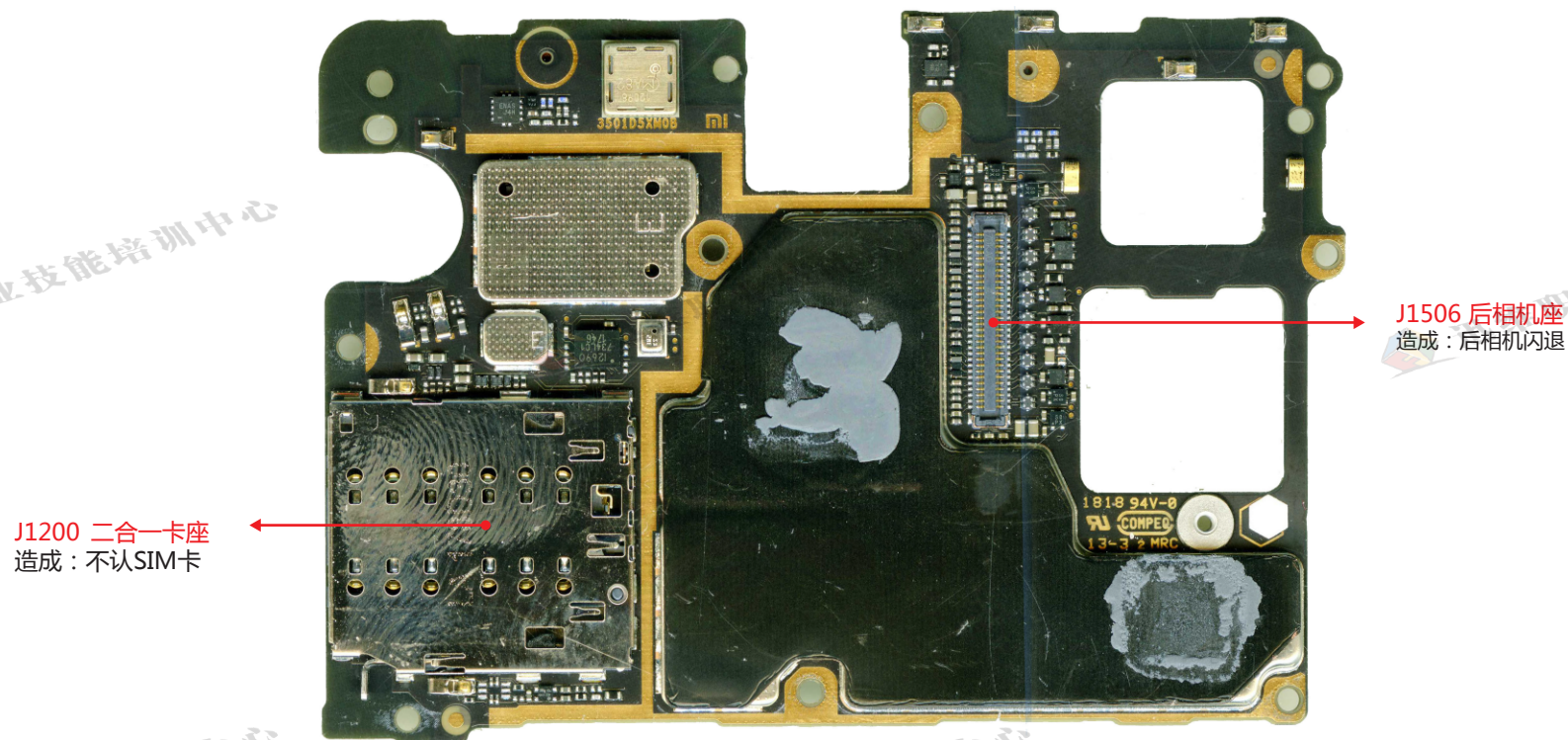
J1457

小米MIX 2S A面 芯片功能注释

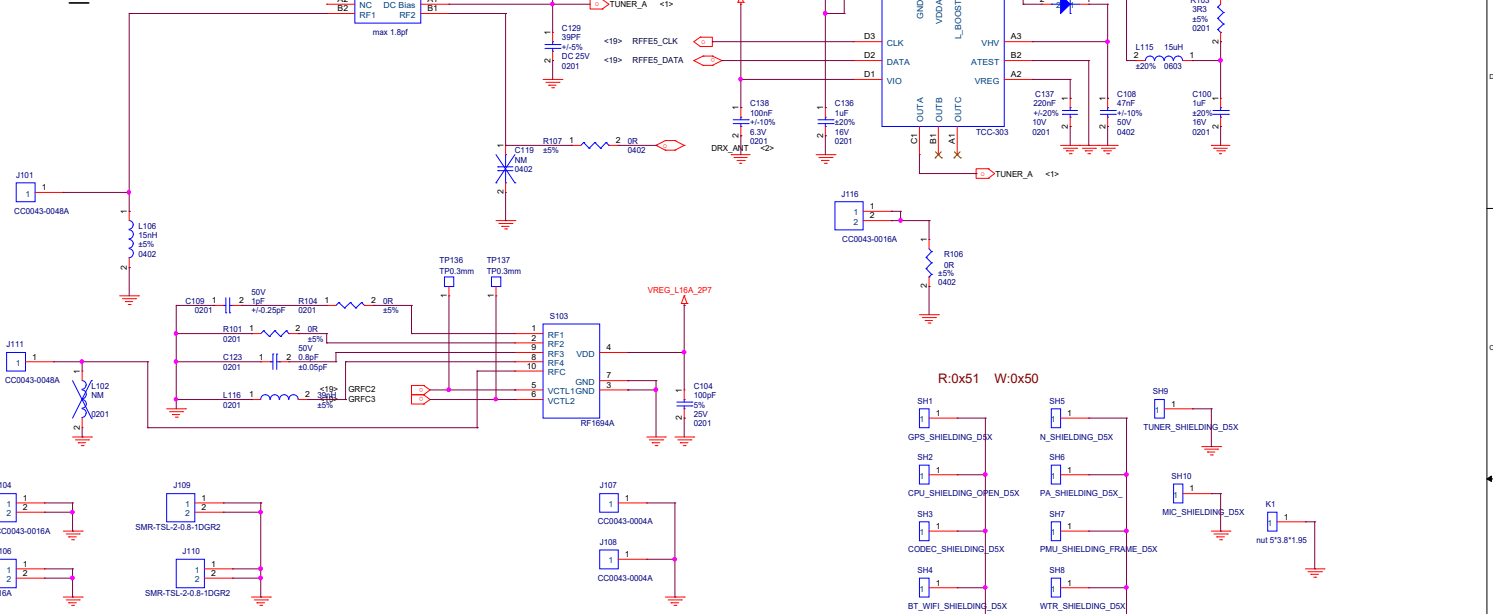


VIETMOBILE.VN

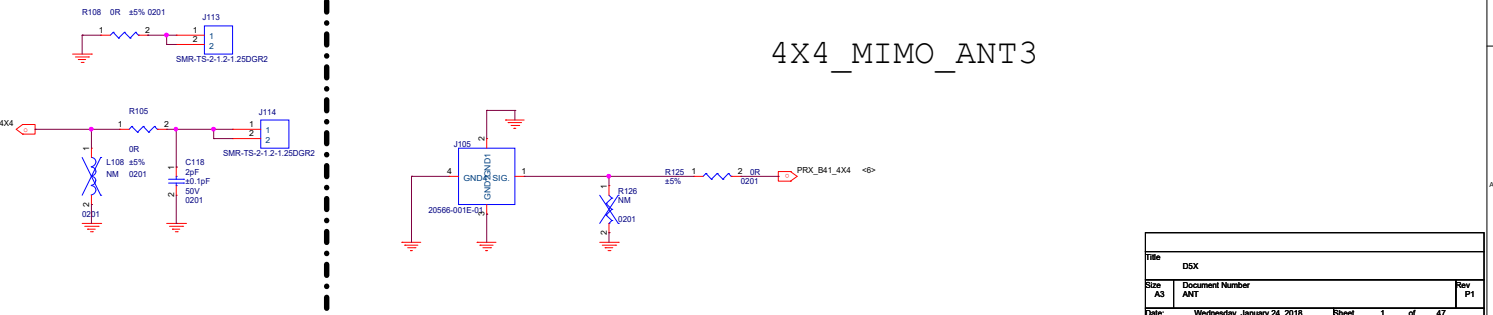
小米MIX 2S B面 芯片功能注释



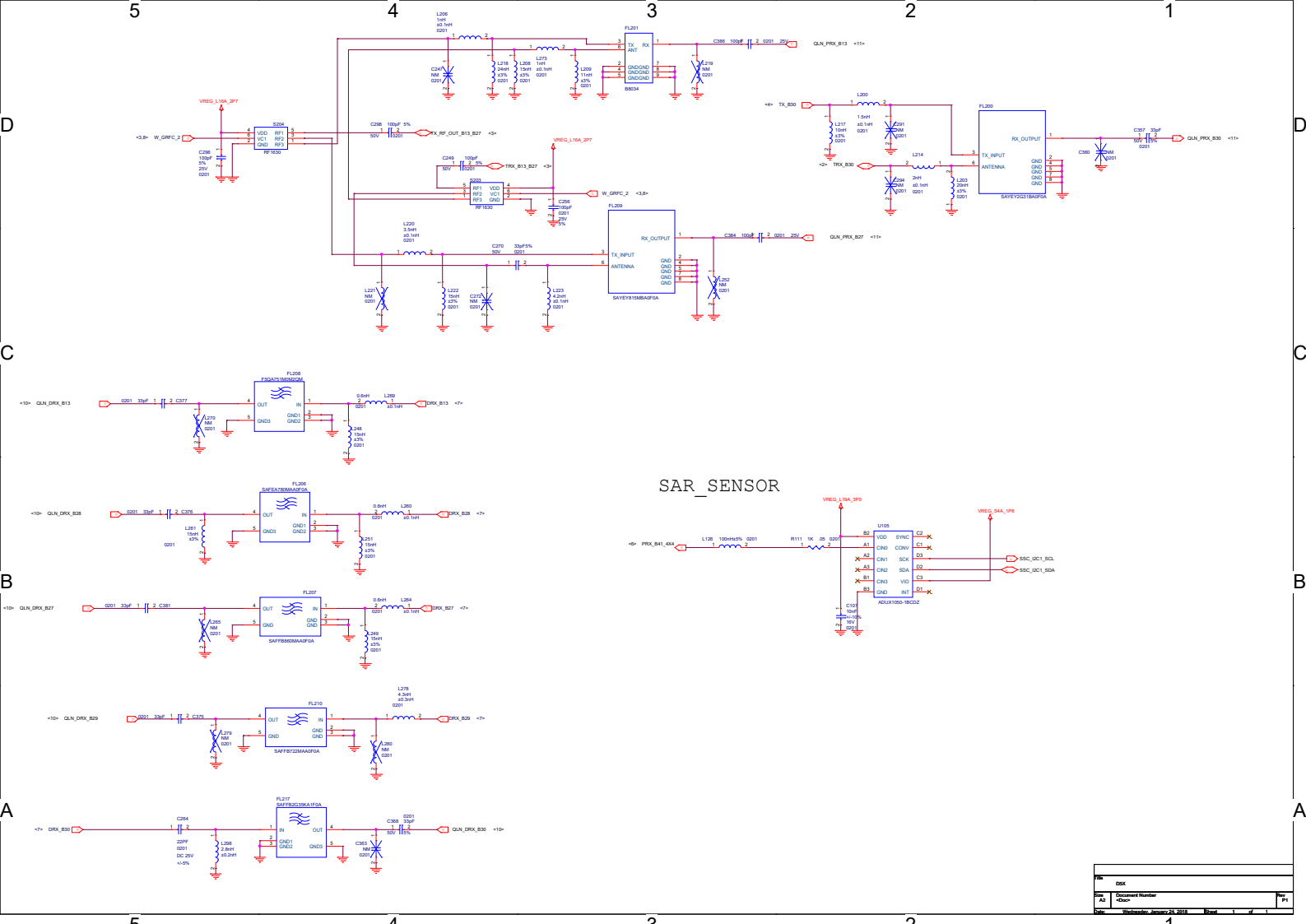
DRX_ANT



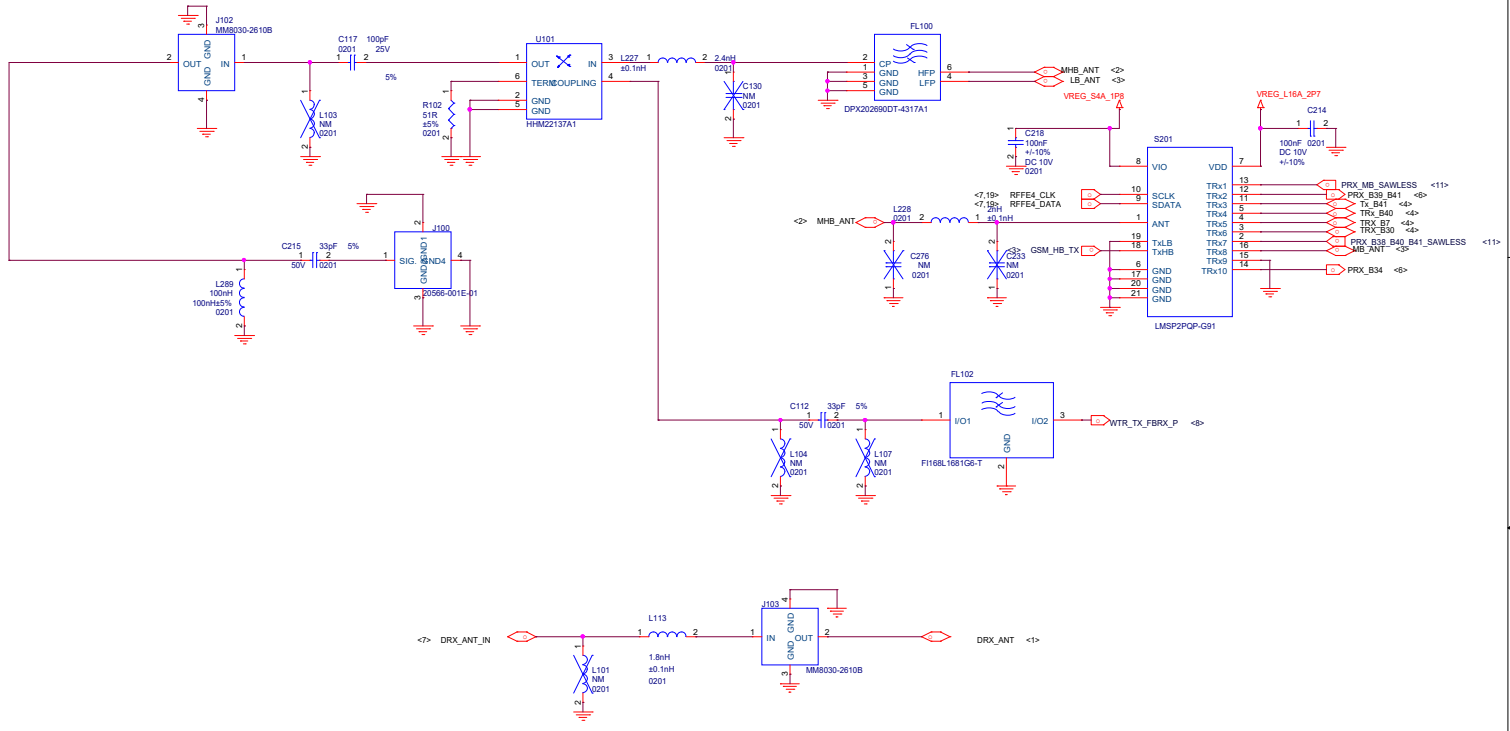
4X4_MIMO_ANT3



Title	DSX	
Size	Document Number	Rev
A3	ANT	P1
Date	Wednesday, January 24, 2018	Sheet 1 of 47

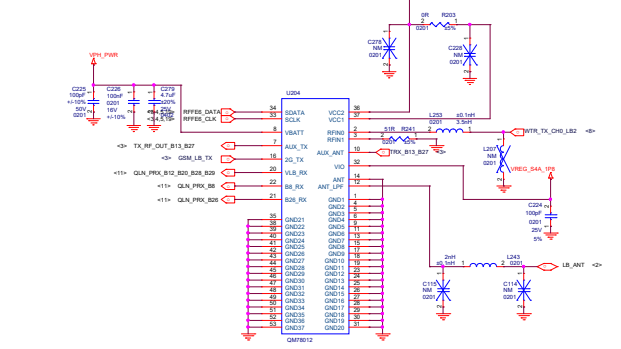


Rev	001	
Doc	Document Number	Rev. P1
A2	<Doc>	
Rev	001	Page 1 of 1

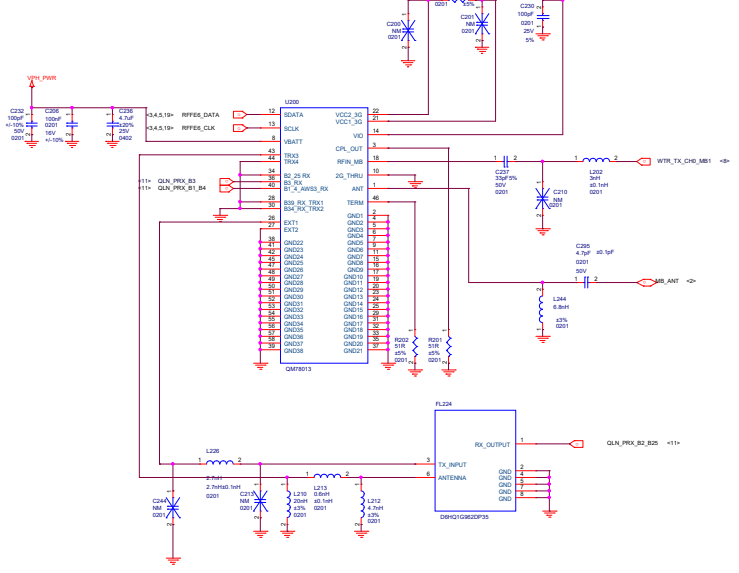


Title	DSX		
Size	A3	Document Number	COUPLERASWITCH
Date:	Wednesday, January 24, 2018	Sheet	2 of 47
Rev	P1		

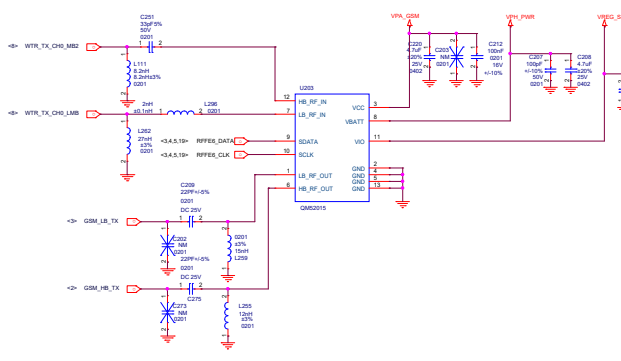
LBPA



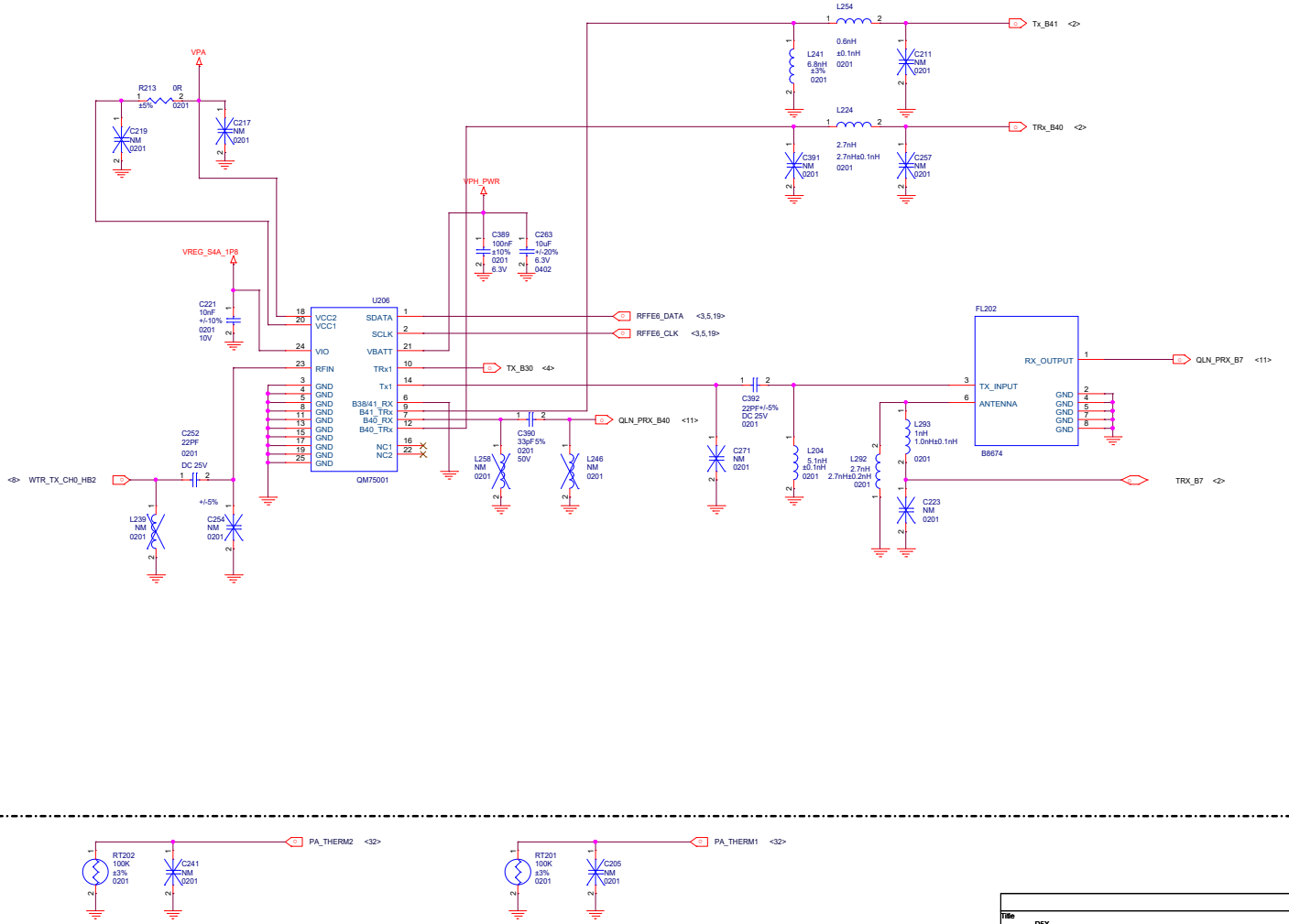
MBPA



2GPA



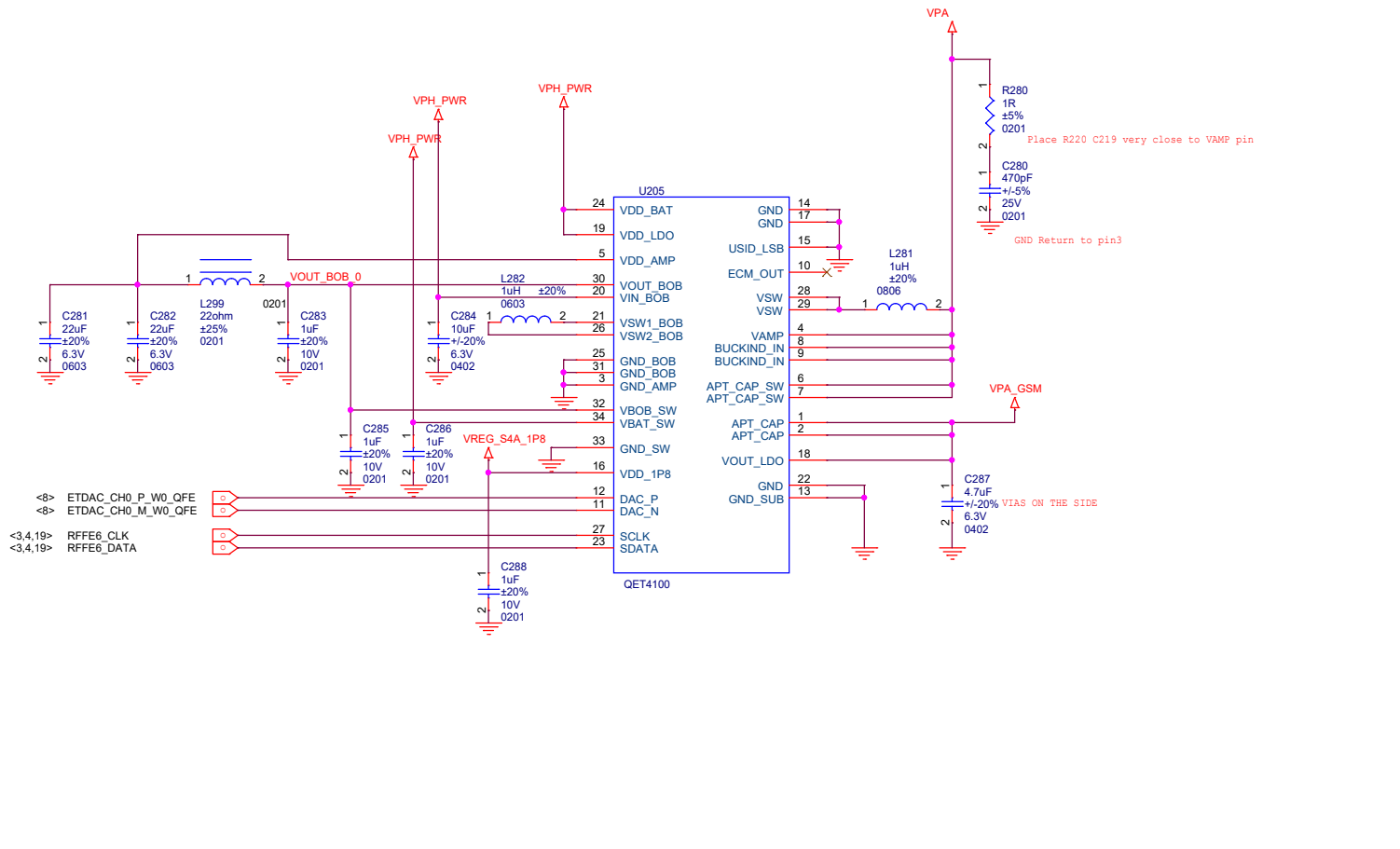
REV	001
DATE	2012-07-24
DESIGNER	...
CHECKER	...
APPROVER	...
DATE	2012-07-24
REV	001



Title		DSX	
Size	A3	Document Number	HBPA
Date	Wednesday, January 24, 2018	Sheet	4 of 47
		Rev	P1

RF7301 LOGIC

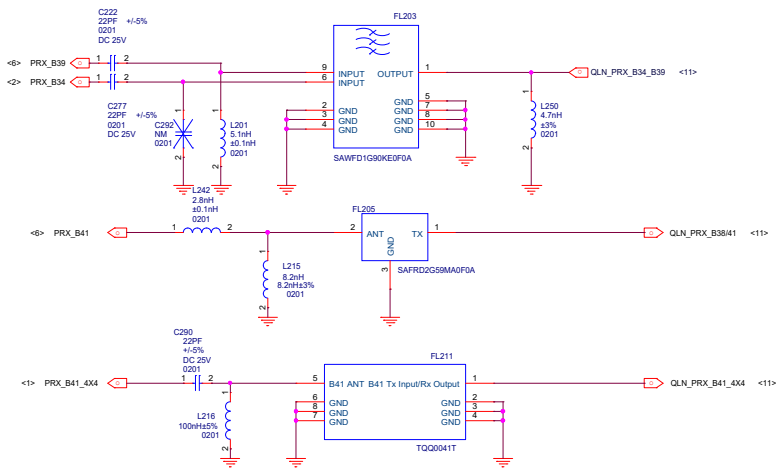
POWER MODE	PA_ON3_B34_B39	TDS_PA0_R0	TDS_
POWER DOWN MODE	L	L	
STANDBY MODE	L	X	
HIGH POWER STATE	H	L	
MEDIUM POWER STATE	H	H	
LOW POWER STATE		H	



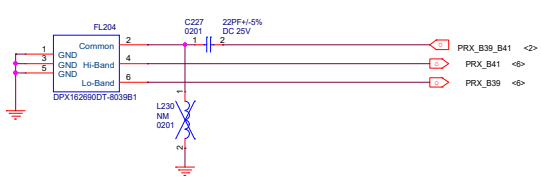
<8> ETDAC_CH0_P_W0_QFE
 <8> ETDAC_CH0_M_W0_QFE
 <3,4,19> RFF66_CLK
 <3,4,19> RFF66_DATA

Title		
D5X		
Size	Document Number	Rev
A4	QFE4100	P1
Date:	Wednesday, January 24, 2018	Sheet 5 of 47

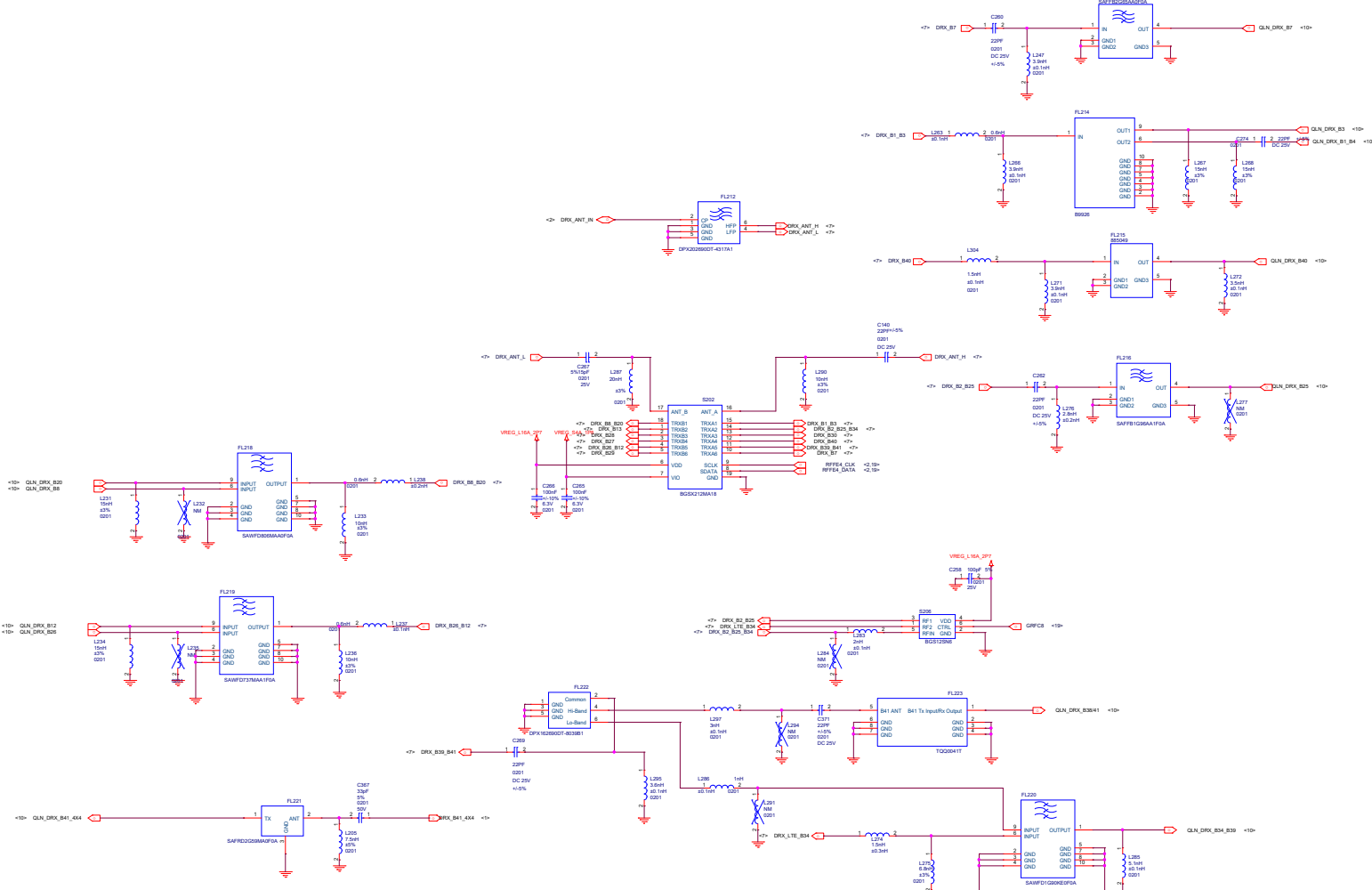
PRX B34 B39 B41



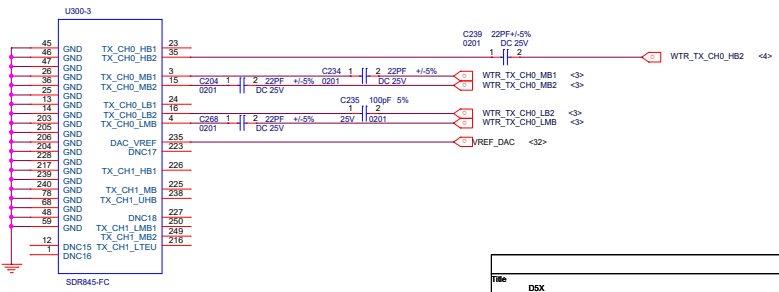
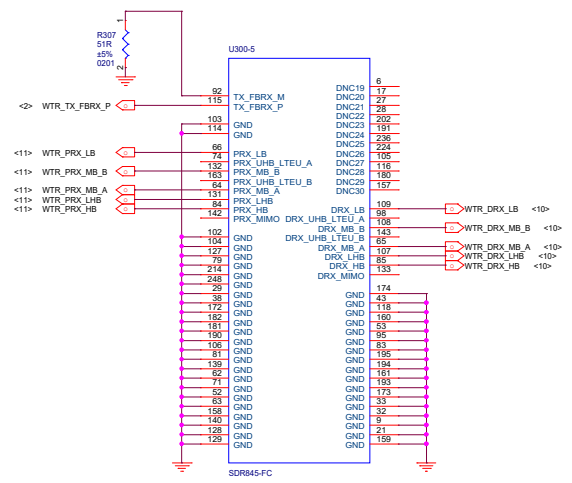
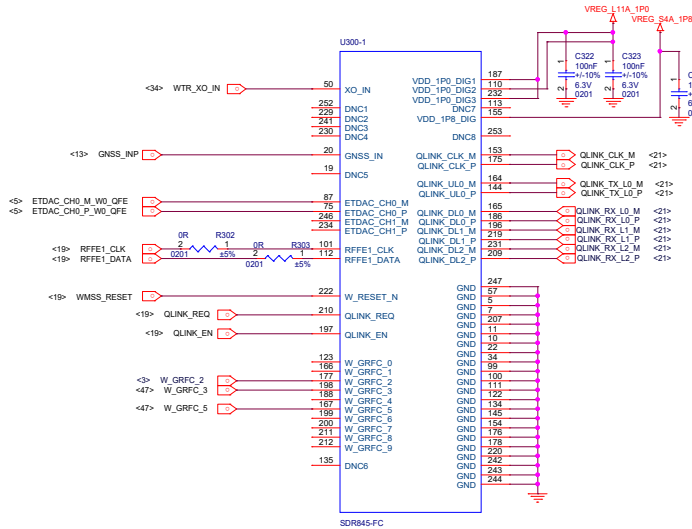
DIPLEXER B39 B41



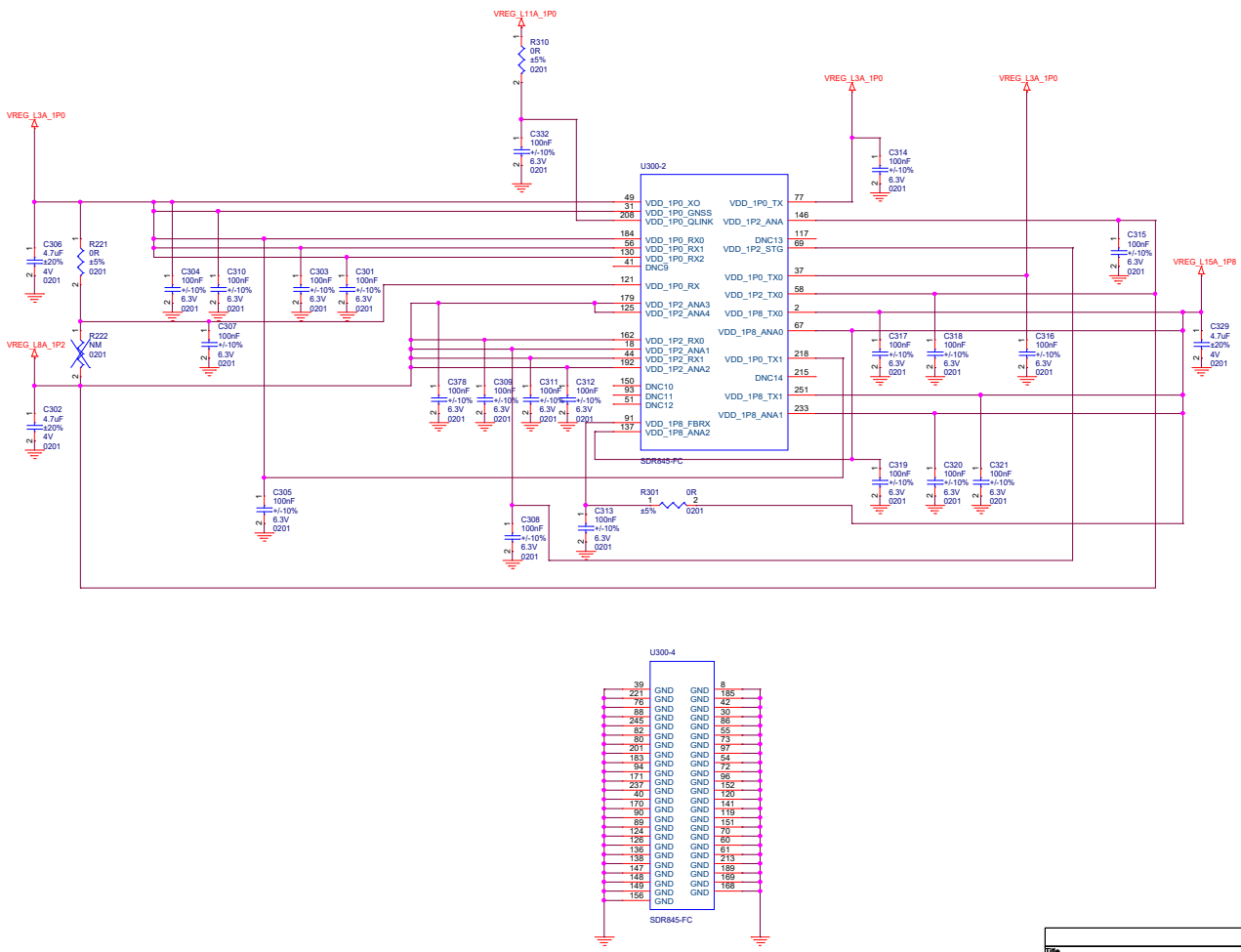
Title		DX	Rev
Size	Document Number	PRX	<Rev Code>
A3			
Date:		Wednesday, January 24, 2018	Sheet 6 of 47



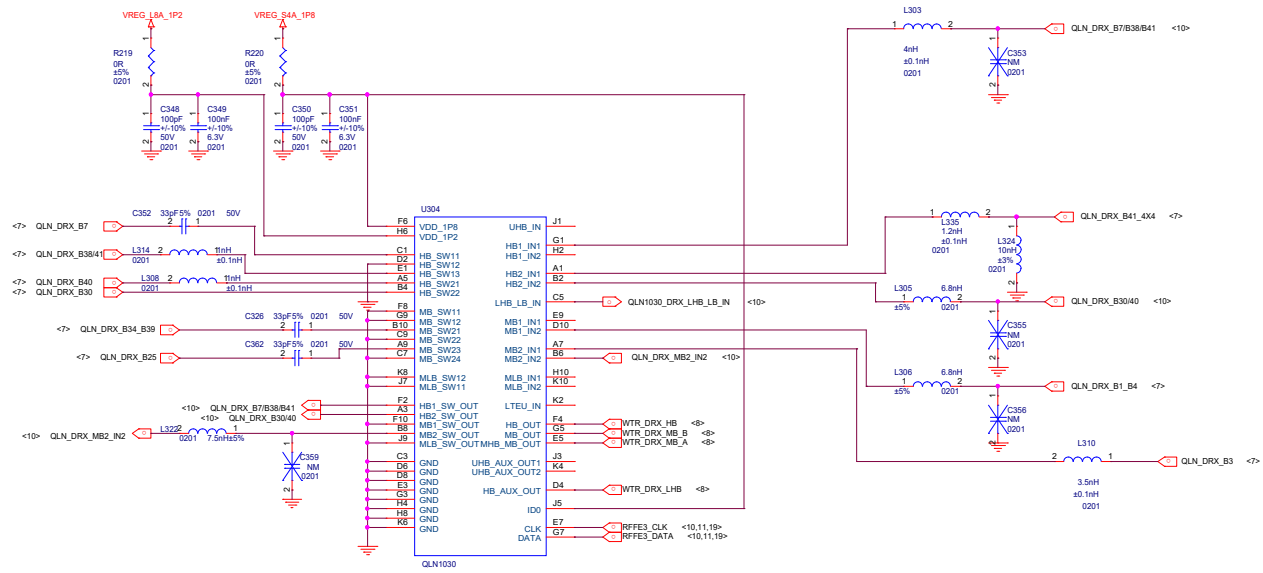
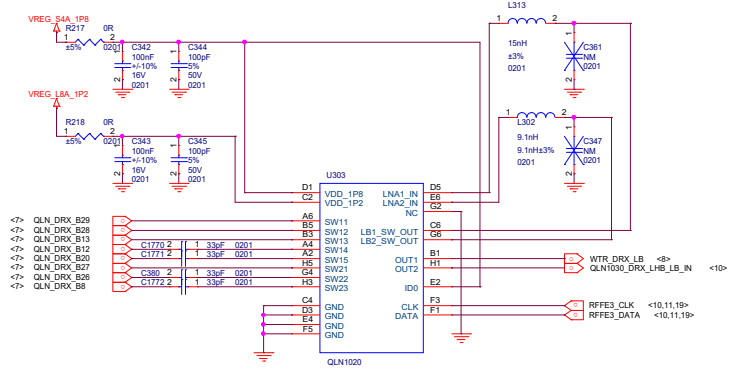
Rev	DRX	Rev	
By	Component Number	By	PH
App	DRX	App	
Wednesday, January 24, 2018 10:08 AM Page 7 of 41			



Title	DSX		
Size	A3	Document Number	WTR975 MSS
Date	Wednesday, January 24, 2018	Sheet	8 of 47
		Row	P1

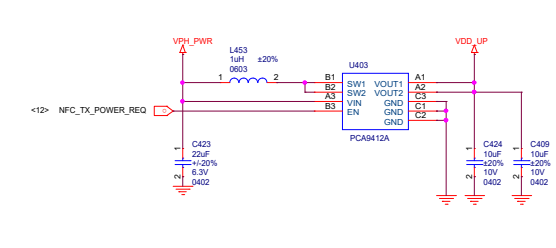
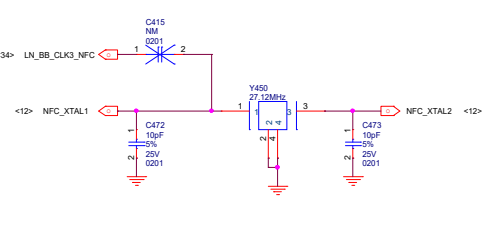
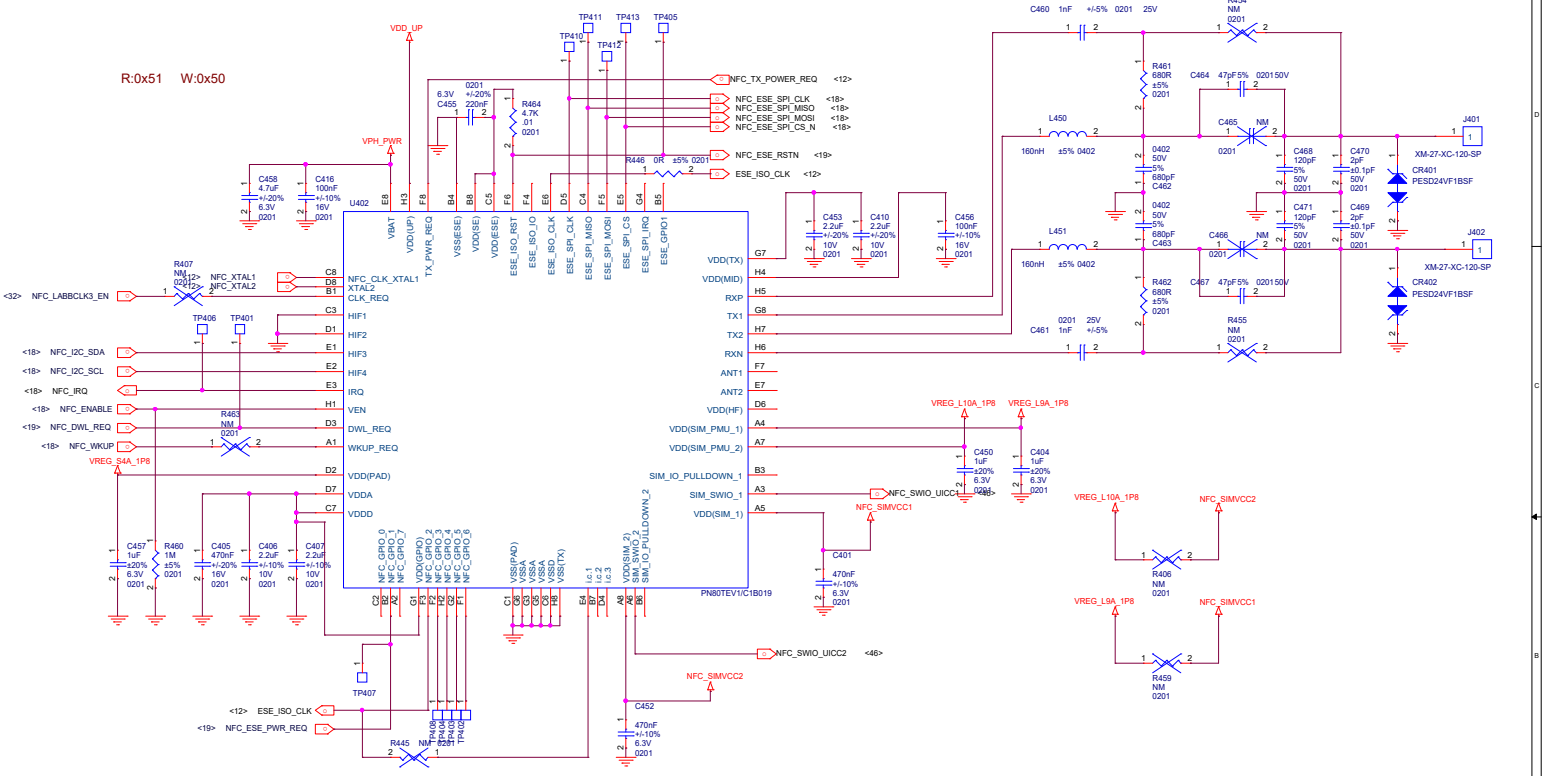


Title		
DSX		
Size	Document Number	Rev
A3	WTRSP75 POWER	P0
Date:	Wednesday, January 26, 2018	Sheet 9 of 47

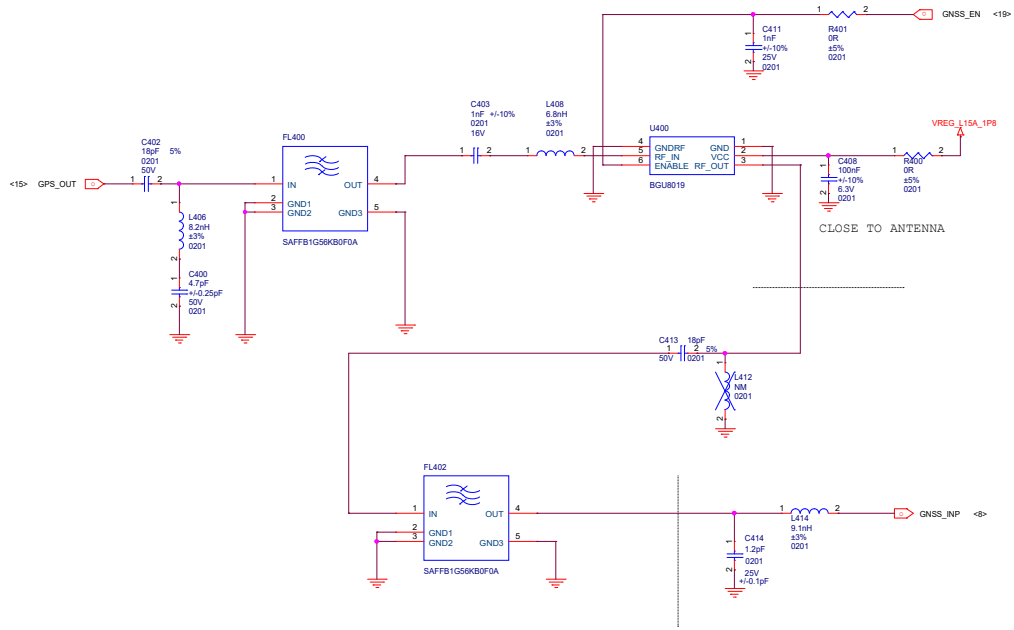


Title	DSX		
Size	AS	Document Number	QLN DRX
Date	Wednesday, January 24, 2018	Sheet	10 of 47
Row	P1		

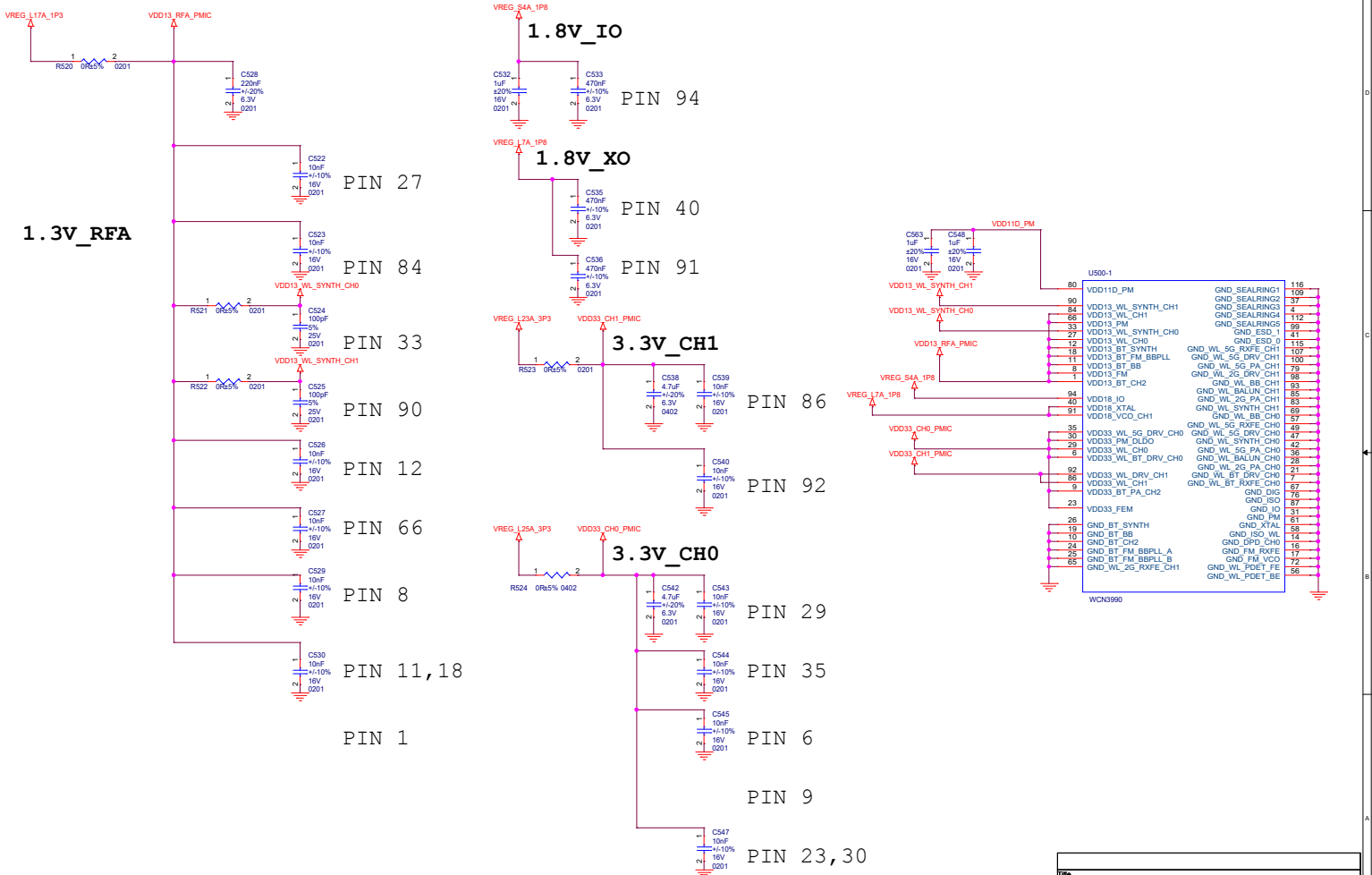
R:0x51 W:0x50



Title			
DSX			
Size	Document Number	Rev	
A3	NFC	P1	
Date:	Wednesday, January 24, 2018	Sheet	12 of 47

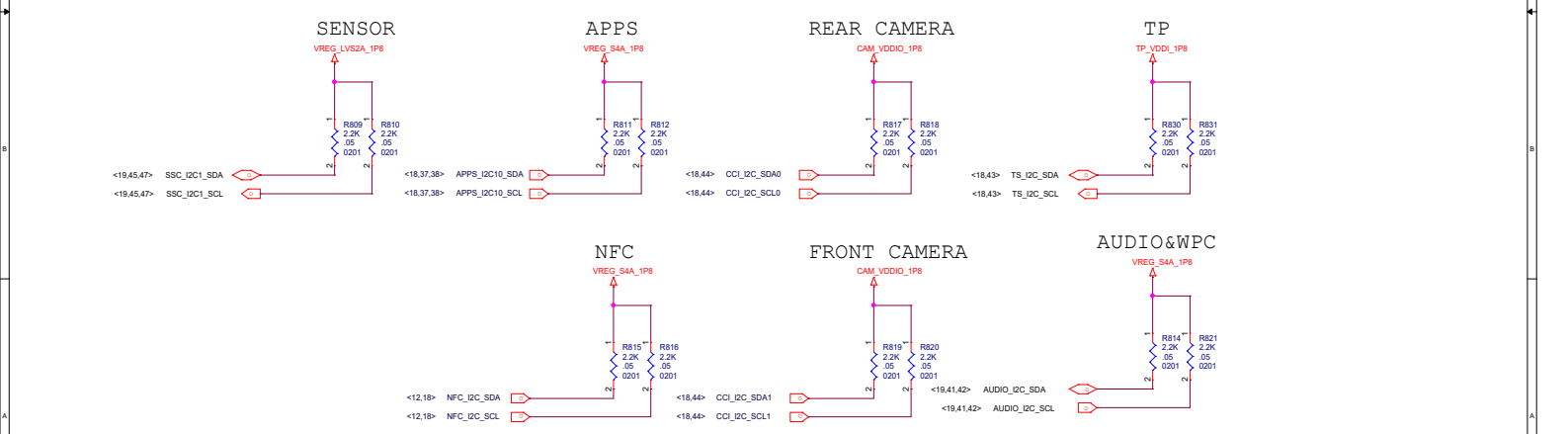
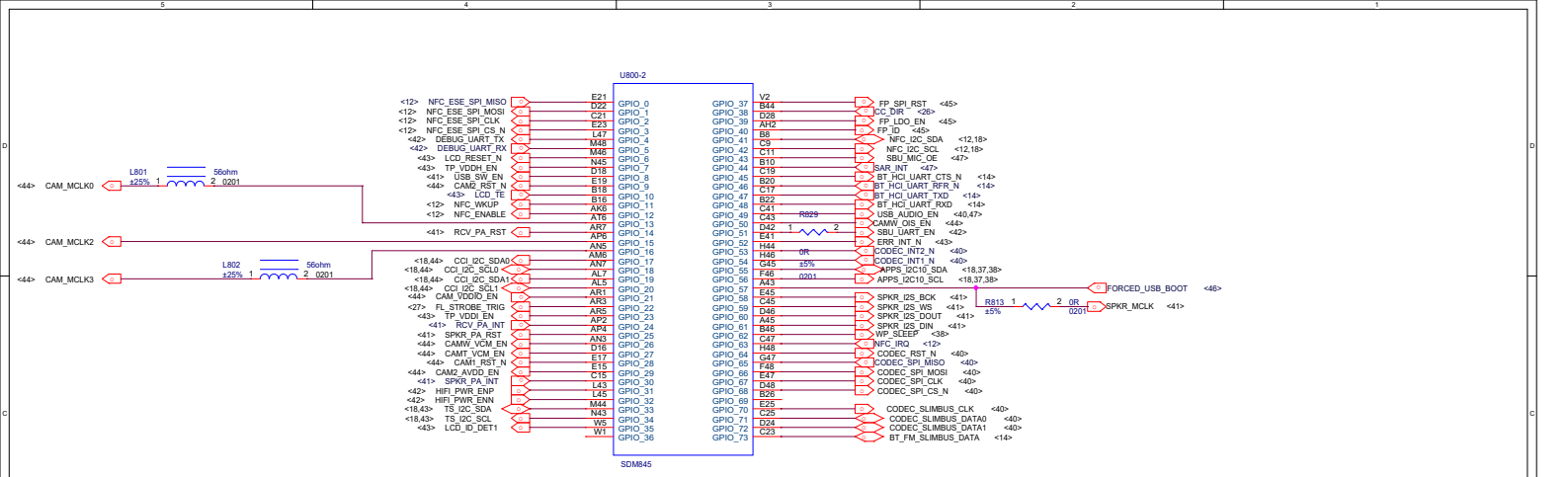


Title		
DSX		
Size	Document Number	Rev
A3	GPS	P1
Date:	Wednesday, January 24, 2018	Sheet 18 of 47

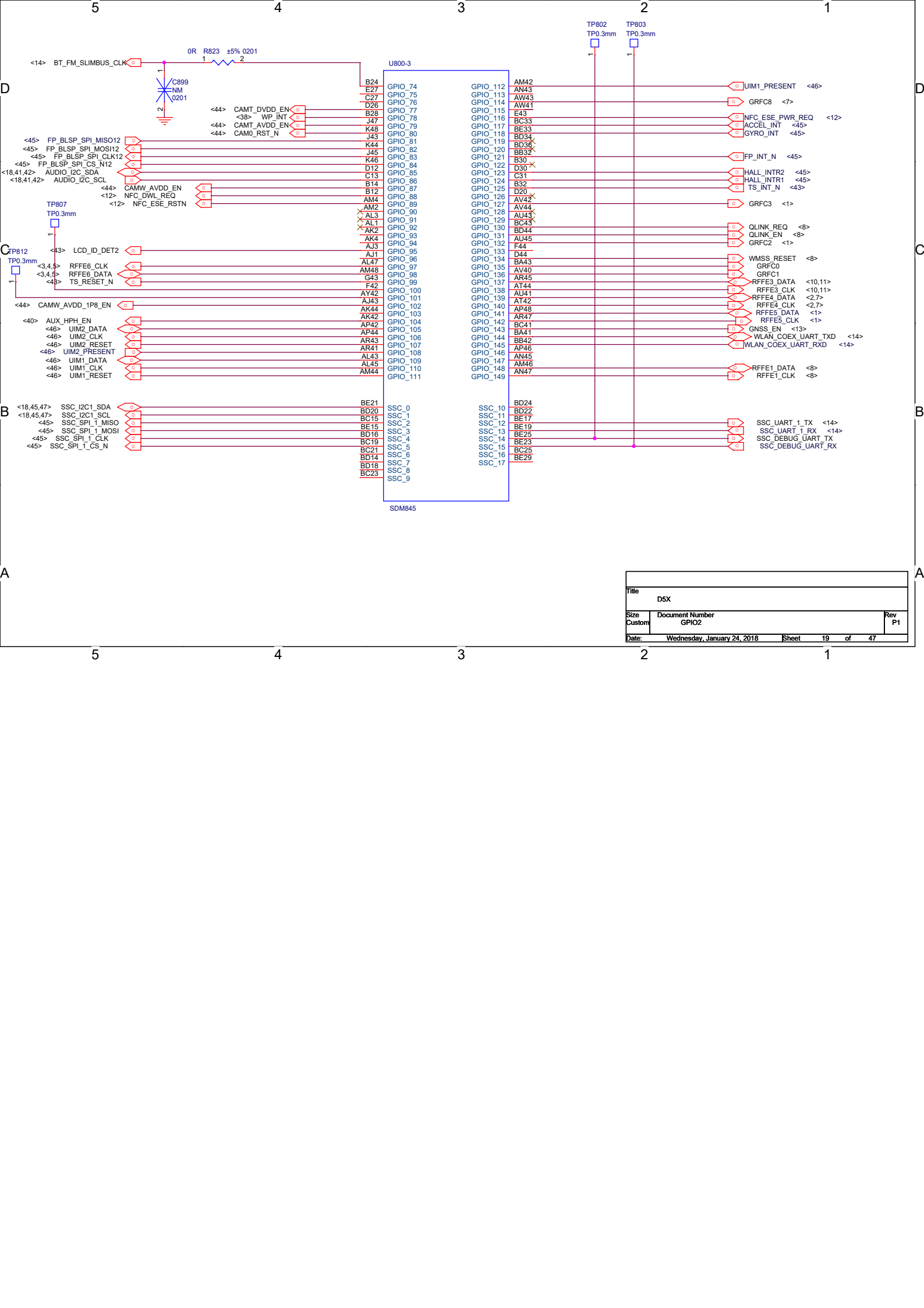


Pin	Signal	Signal	Signal
80	VDD10_PM	GND_SEALRING1	118
81	VDD13_WL_SYNTH_CH1	GND_SEALRING2	109
82	VDD13_WL_CH1	GND_SEALRING3	37
83	VDD13_PM	GND_SEALRING4	4
84	VDD13_WL_SYNTH_CH0	GND_SEALRING5	112
85	VDD13_WL_SYNTH_CH0	GND_ESD_1	41
86	VDD13_WL_CH0	GND_ESD_0	115
87	VDD13_BT_SYNTH	GND_WL_5G_RXFE_CH1	107
88	VDD13_BT_FM_BBPLL	GND_WL_5G_DRV_CH1	100
89	VDD13_BT_BB	GND_WL_5G_PA_CH1	79
90	VDD13_PM	GND_WL_5G_DRV_CH1	56
91	VDD13_BT_CH2	GND_WL_BB_CH1	93
92	VDD18_IO	GND_WL_BALUN_CH1	83
93	VDD18_XTAL	GND_WL_2G_PA_CH1	85
94	VDD18_VCO_CH1	GND_WL_SYNTH_CH1	89
95	VDD18_VCO_CH1	GND_WL_BB_CH0	57
96	VDD33_WL_5G_DRV_CH0	GND_WL_5G_RXFE_CH0	49
97	VDD33_PM_DLD0	GND_WL_5G_DRV_CH0	47
98	VDD33_WL_CH0	GND_WL_SYNTH_CH0	42
99	VDD33_BT_DRV_CH0	GND_WL_5G_PA_CH0	28
100	VDD33_WL_BT_DRV_CH0	GND_WL_BALUN_CH0	36
101	VDD33_WL_DRV_CH1	GND_WL_2G_PA_CH0	31
102	VDD33_WL_CH1	GND_WL_BT_DRV_CH0	7
103	VDD33_BT_PA_CH2	GND_WL_RXFE_CH0	67
104	VDD33_FEM	GND_DIC	76
105	VDD33_FEM	GND_ISO	87
106	VDD33_FEM	GND_IO	31
107	VDD33_FEM	GND_PM	51
108	VDD33_FEM	GND_XTAL	58
109	VDD33_FEM	GND_BT_BB	14
110	VDD33_FEM	GND_BT_CH2	16
111	VDD33_FEM	GND_DP0_CH0	17
112	VDD33_FEM	GND_BT_FM_BBPLL_A	72
113	VDD33_FEM	GND_BT_FM_BBPLL_B	72
114	VDD33_FEM	GND_WL_PDET_FE	56
115	VDD33_FEM	GND_WL_PDET_BE	56

Title			
DSX			
Size	Document Number	Rev	
A3	WLAN DECOUP	P1	
Date:	Wednesday, January 24, 2018	Sheet	18 of 47



File	DSX		
Size	A3	Document Number	SDM845 GPIO1
Date	Wednesday, January 24, 2018	Sheet	18 of 45
Rev	PO		

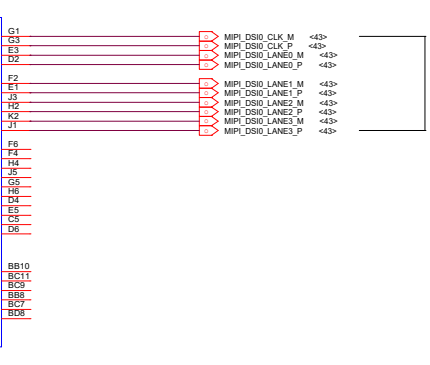
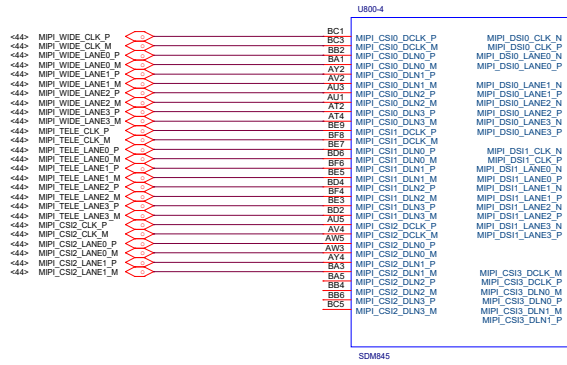


Title			
D5X			
Size	Document Number	Rev	
Custom	GPIO2	P1	
Date:	Wednesday, January 24, 2018	Sheet	19 of 47

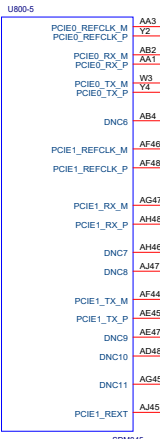
REAR CAMERA 3M3

REAR CAMERA 2L7

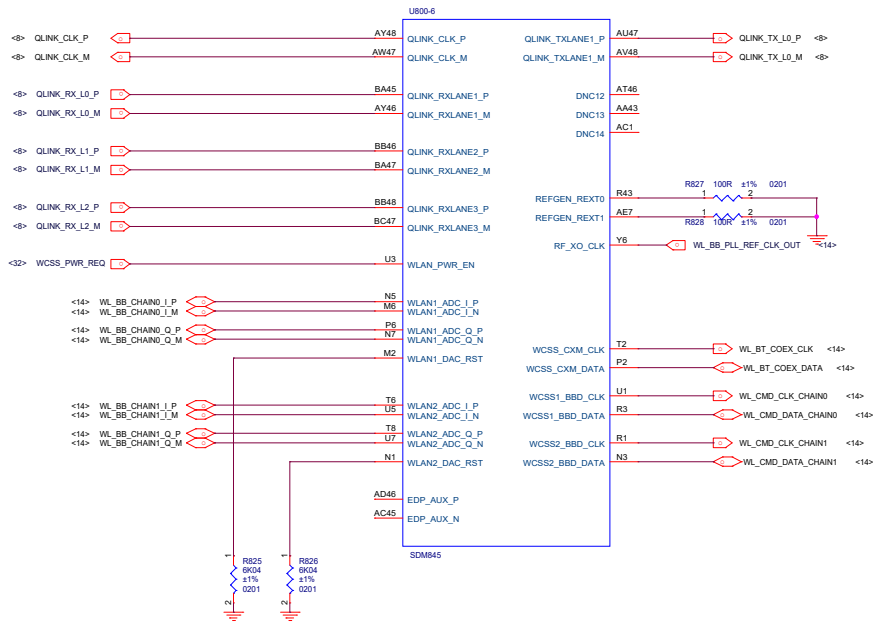
FRONT CAMERA IMX386



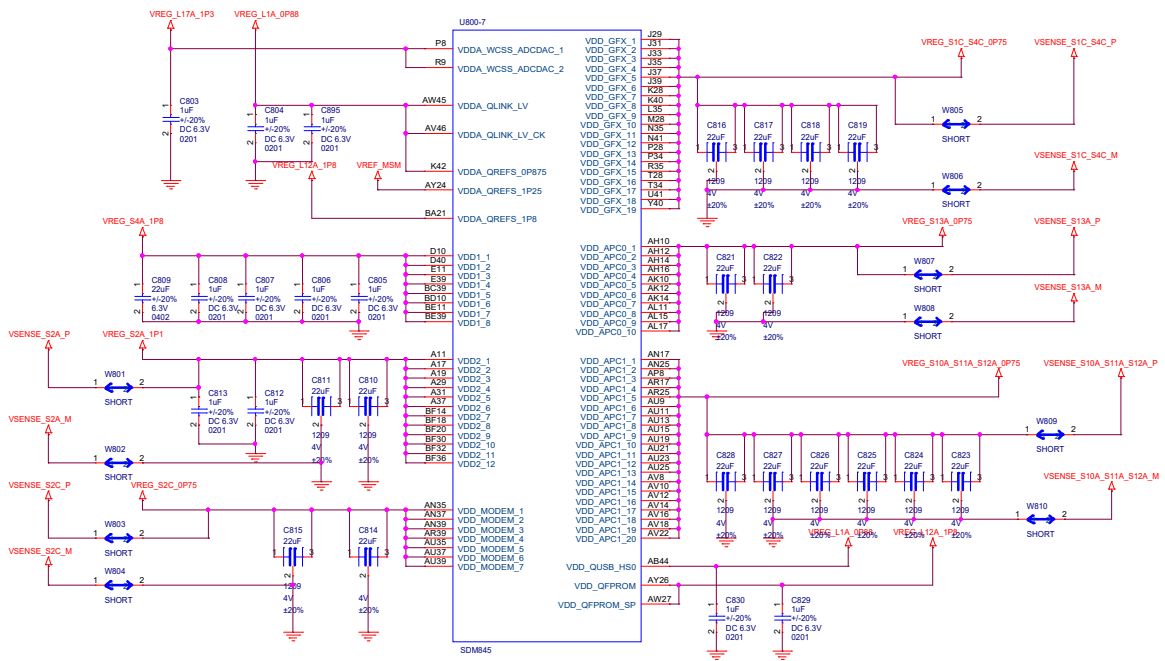
DISPLAY



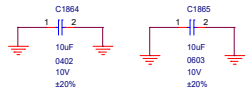
Title		DSX	
Size	A3	Document Number	SDM845 MPI
Date	Wednesday, January 24, 2018	Sheet	20 of 45
Rev			PO



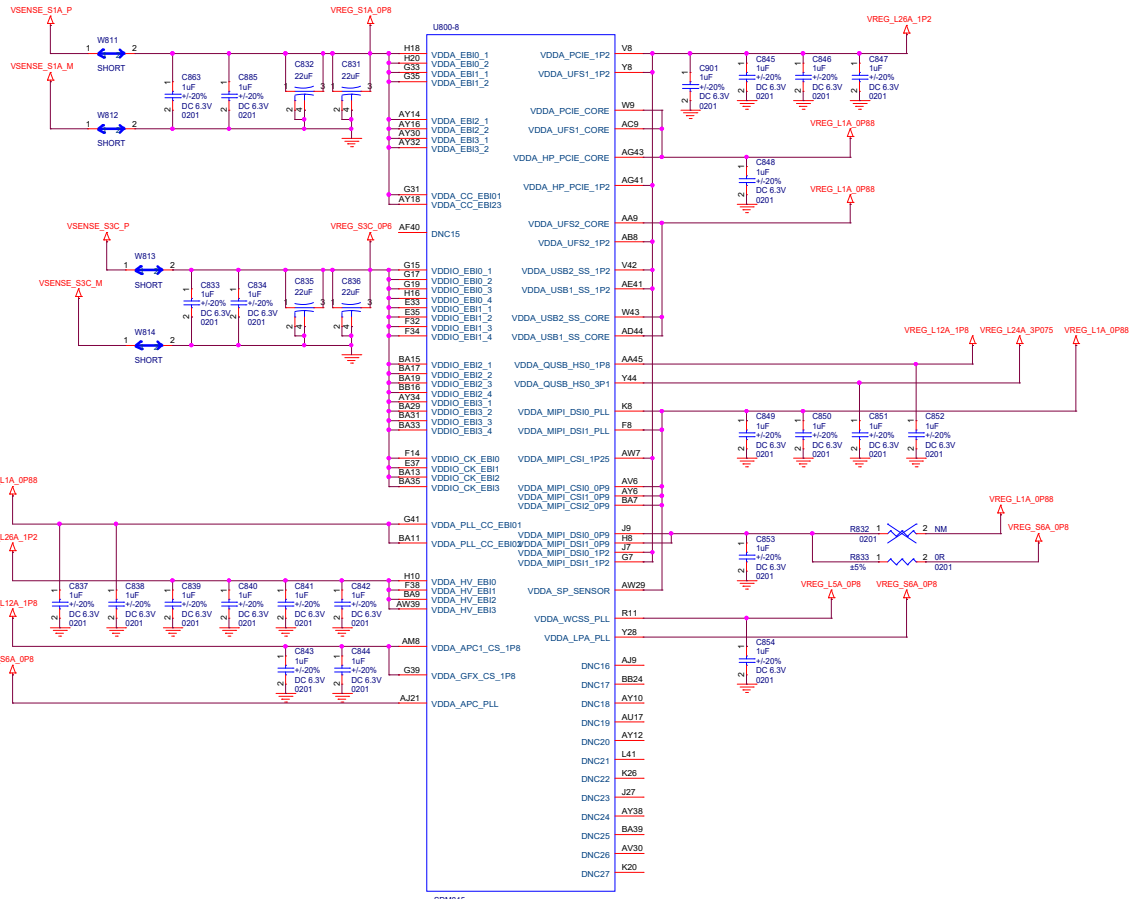
Title		DSX	
Size		Document Number	
A3		SDMB45 RF INTF	Rev P1
Date		Wednesday, January 24, 2018	Sheet 21 of 45



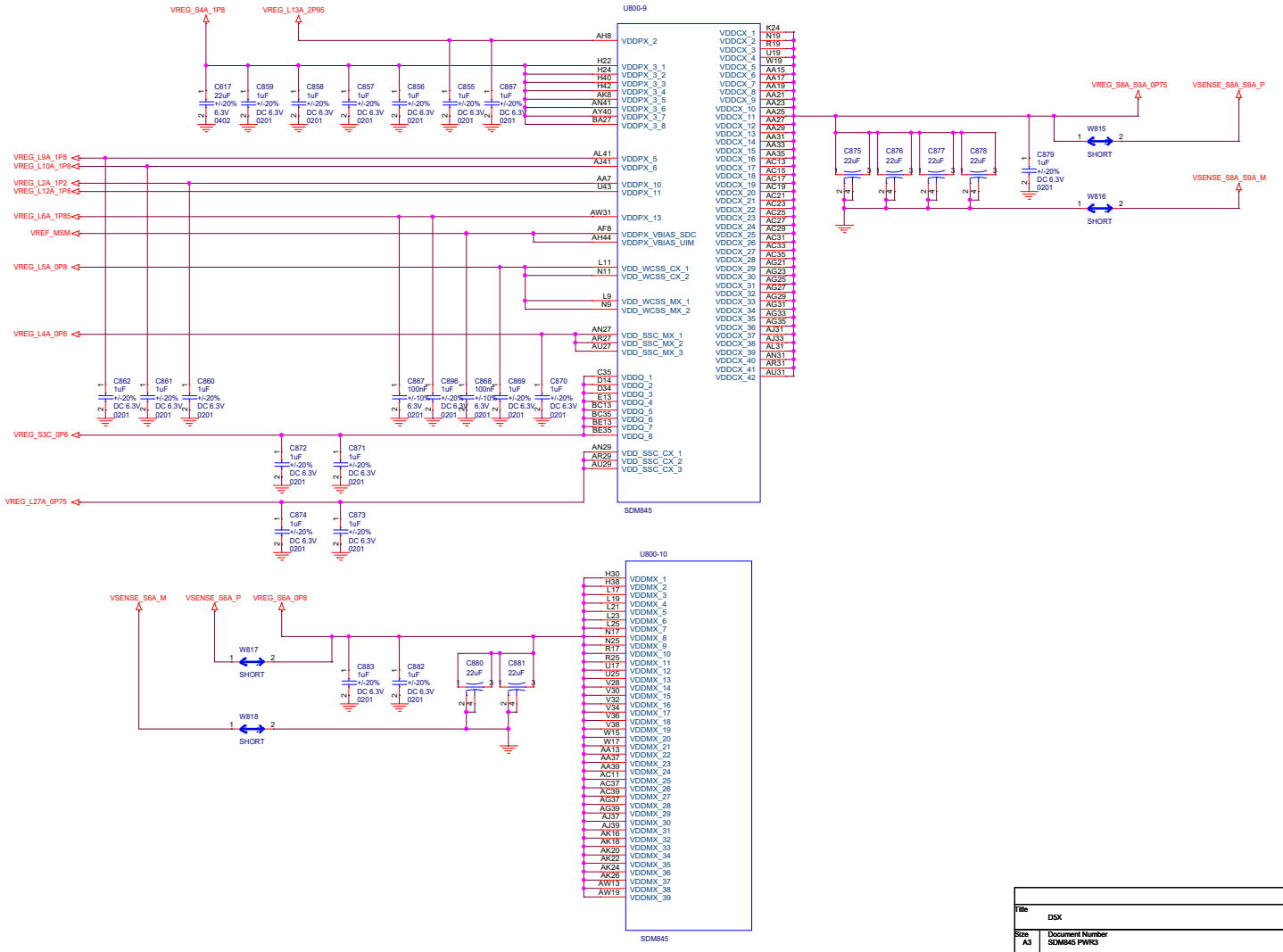
PROTECT PMU SHILDEING



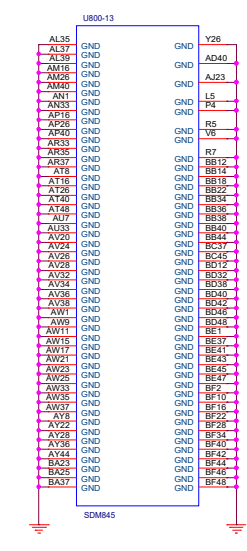
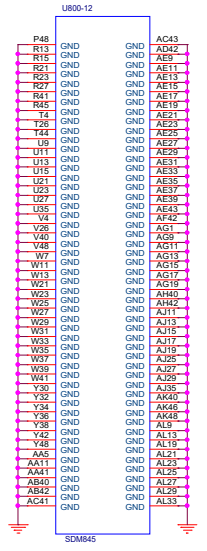
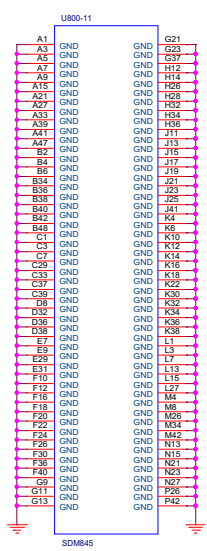
File	DSX		
Size	A3	Document Number	MSM8998 PWR1
Date	Wednesday, January 24, 2018	Sheet	22 of 47
Rev	P1		



File	DSX	
Size	Document Number	Rev
A3	SDMB45 PWR2	P1
Date:	Wednesday, January 24, 2018	Sheet 23 of 45



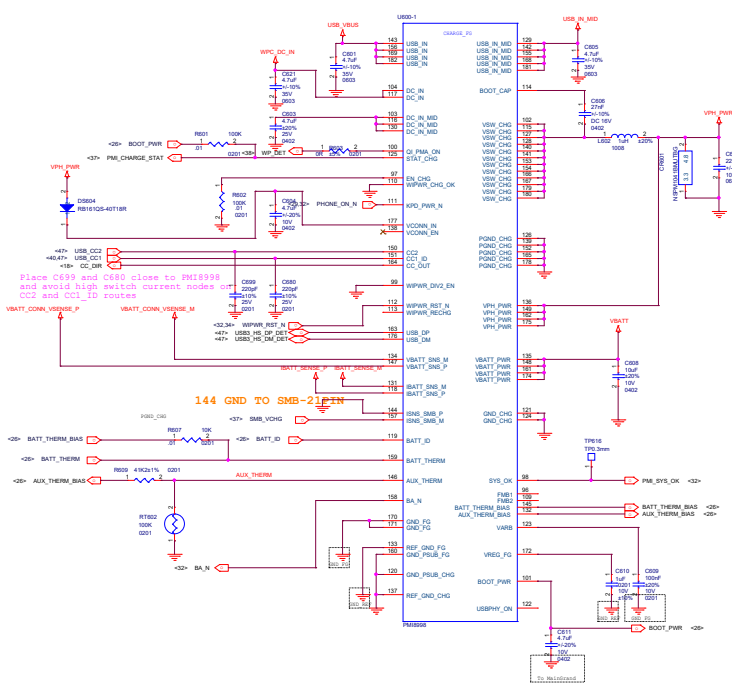
File	DSX		
Size	A3	Document Number	SDM845 PWR3
Date	Wednesday, January 24, 2018	Sheet	34 of 47
Rev	P1		



File	DSX		
Size	A3	Document Number	SDMB45 GND
Date:	Wednesday, January 24, 2018	Sheet	26 of 47
		Rev	PO

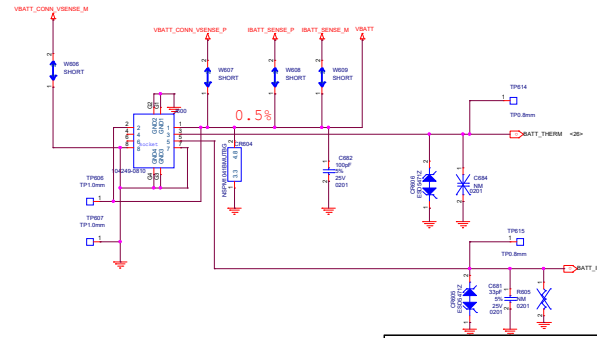
CHARGE_FG

VCONN

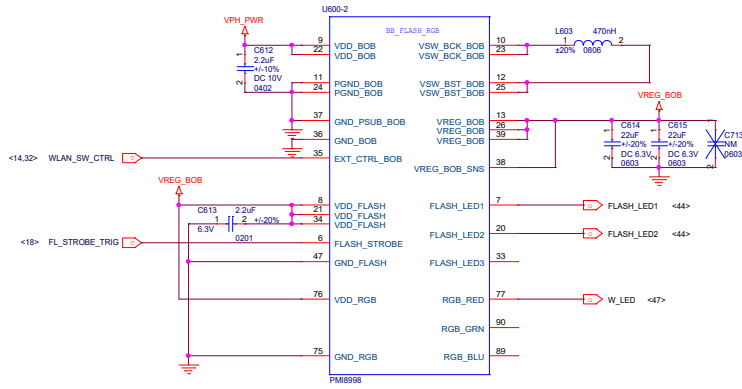


PCA9491UK

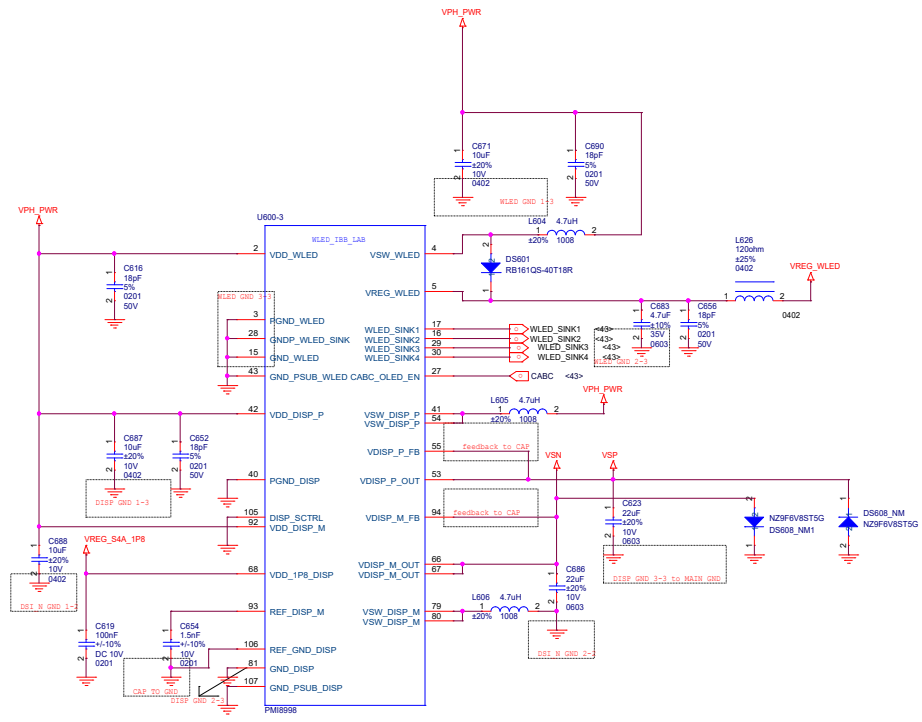
BATTERY CONN



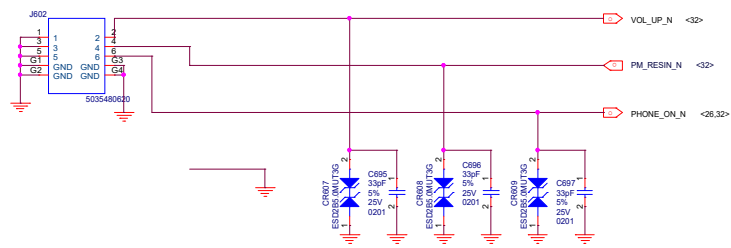
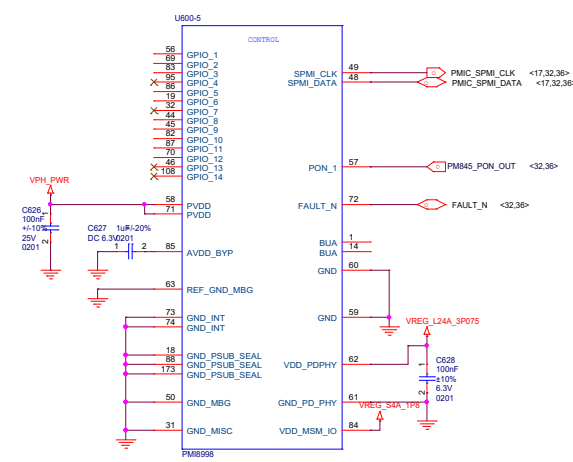
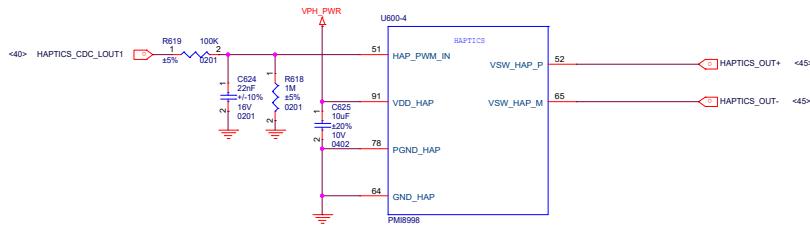
Doc		
PCB	Passive Charge	1/1
Rev		



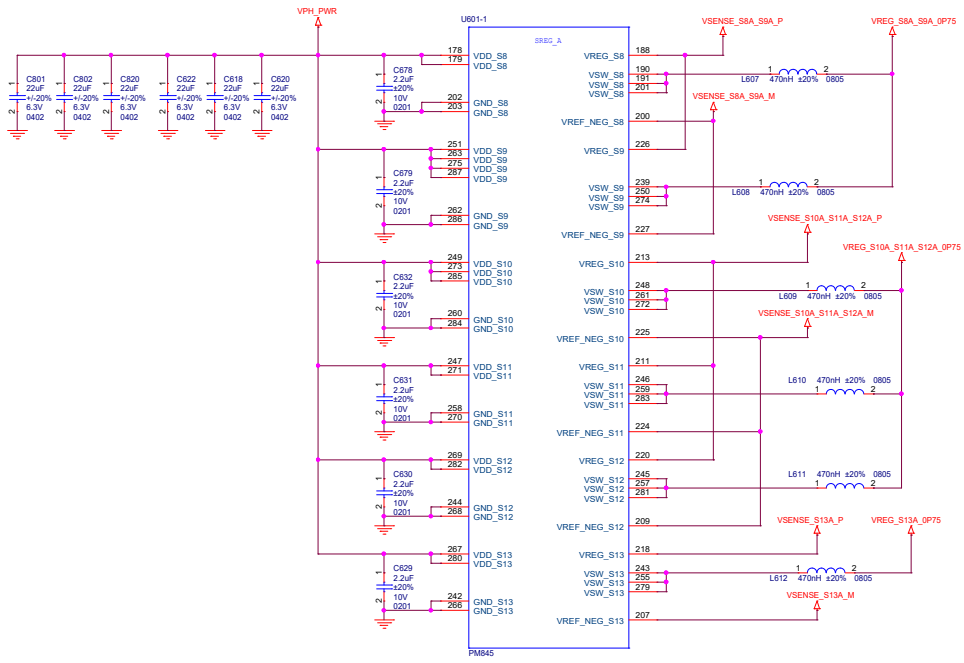
File	DSX	
Size	Document Number	Rev
A3	PM8598 BB FLASH RGB	P1
Date:	Wednesday, January 24, 2015	Sheet 27 of 47



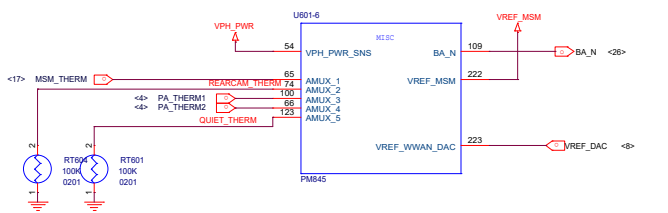
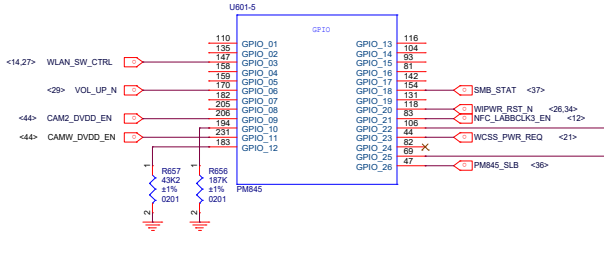
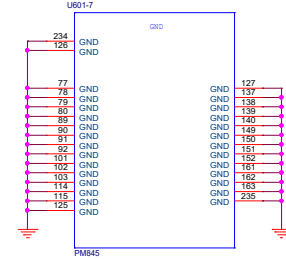
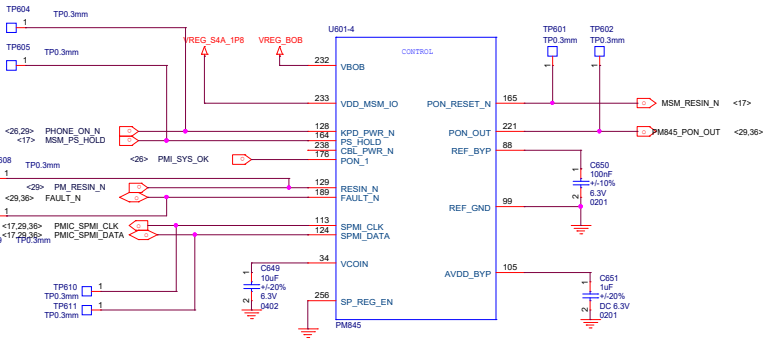
File	DSX	
Size	Document Number	Rev
A3	PM8998 WLED IBB LAB	P1
Date:	Wednesday, January 24, 2018	Sheet 28 of 47



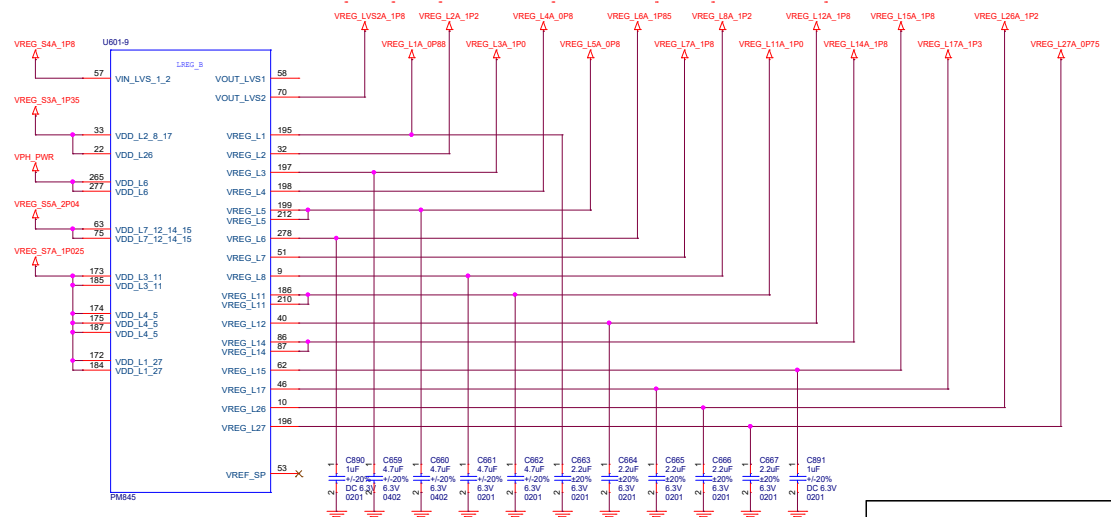
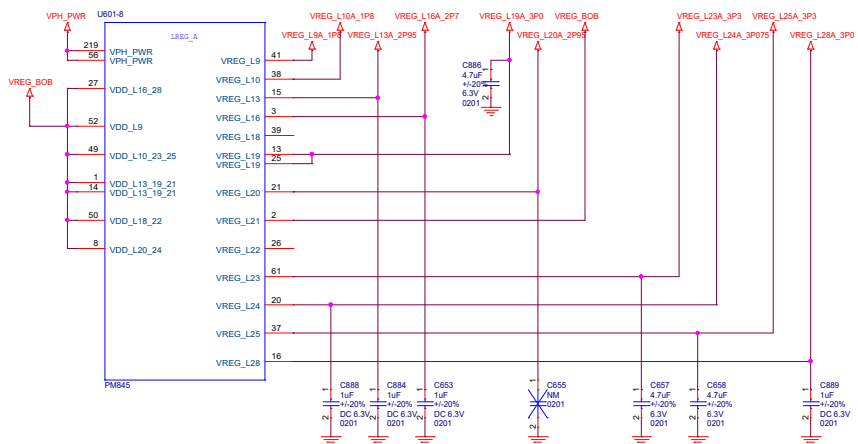
File	DSX	
Size	Document Number	Rev
A3	PM8598 HAPTICS&CONTROL	P1
Date:	Wednesday, January 24, 2016	Sheet 29 of 47



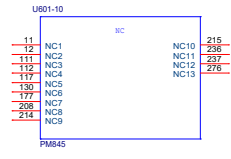
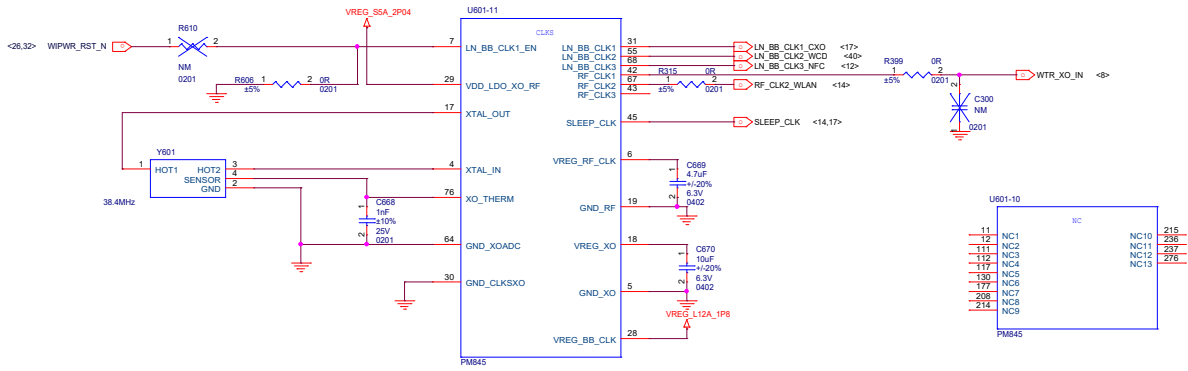
File	DSX	
Size	Document Number	Rev
A3	PMB45 SREG A	P1
Date:	Wednesday, January 24, 2016	Sheet 30 of 47



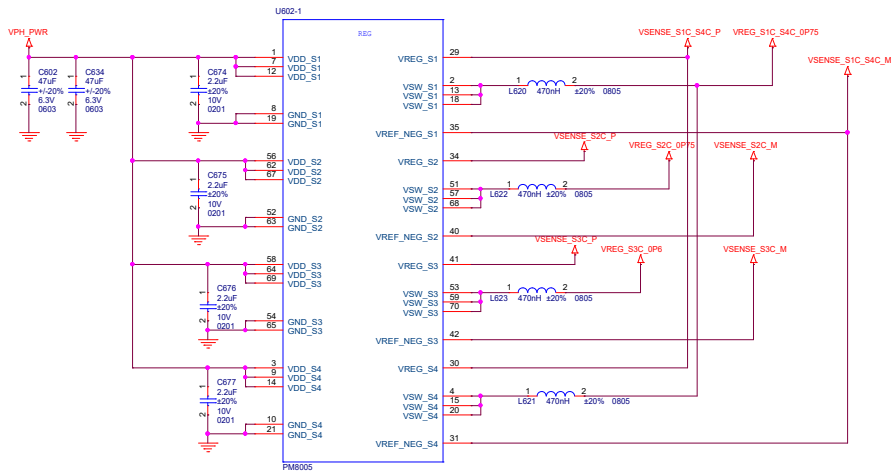
File	DSX	
Size	Document Number	Rev
A3	CONTROL&GPIO&MICS	P1
Date	Wednesday, January 24, 2018	Sheet 32 of 47



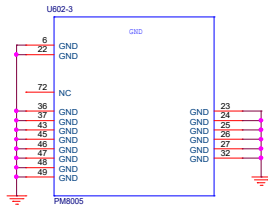
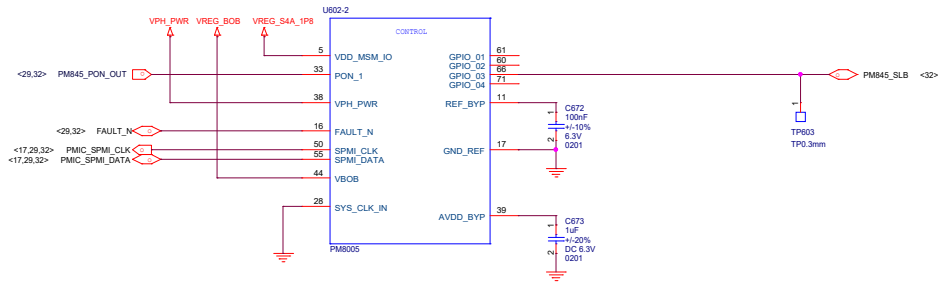
File	DSX		
Size	A3		
Document Number	PMB45 LREG A&B		
Date	Wednesday, January 24, 2018	Sheet	33 of 47
Rev	P1		



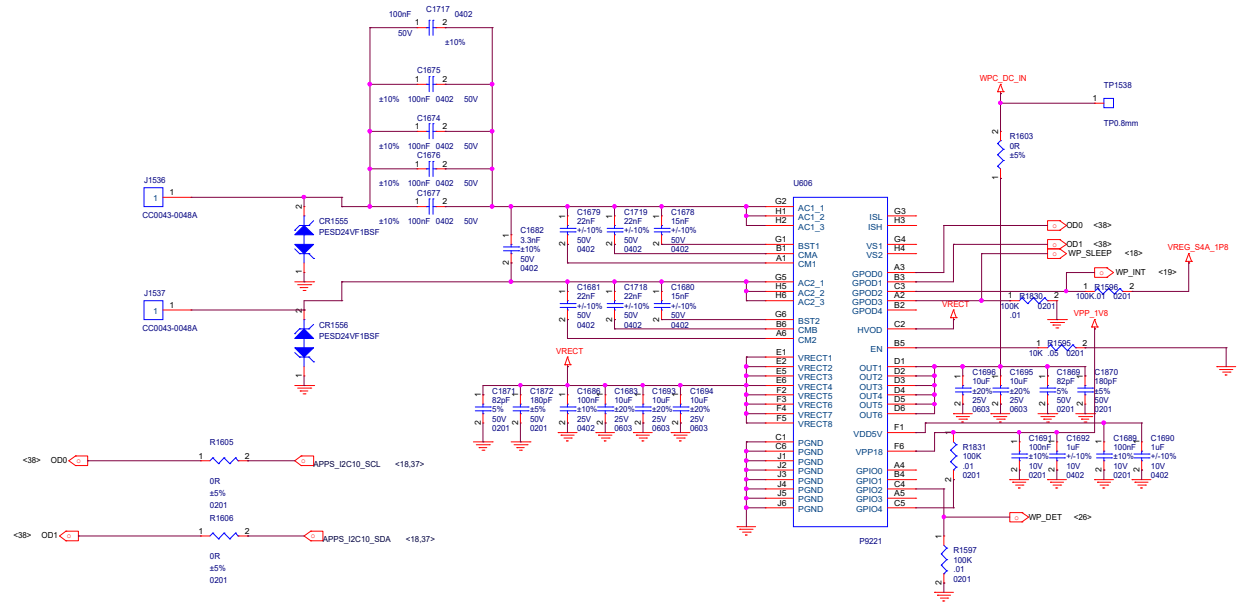
Title		DSX	
Size		Document Number	
A3		PM845 CLAS	Rev P1
Date		Wednesday, January 24, 2016	
Sheet		34 of 47	



Title		DSX	
Size		Document Number	
A3		PM8005 REG	
Date		Wednesday, January 24, 2018	
Sheet		35 of 47	
Rev		P1	

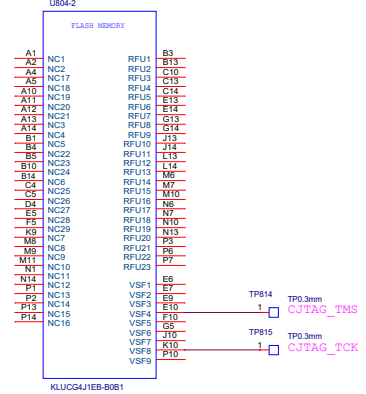
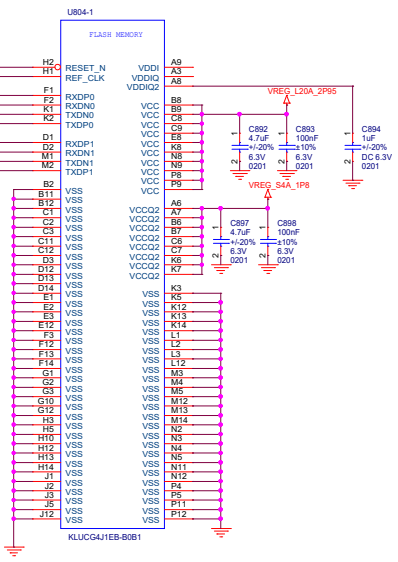


Title		DSX	
Size		Document Number	
A3		PM8005 CONTROL&GND	Rev P1
Date		Wednesday, January 24, 2018	Sheet 38 of 47

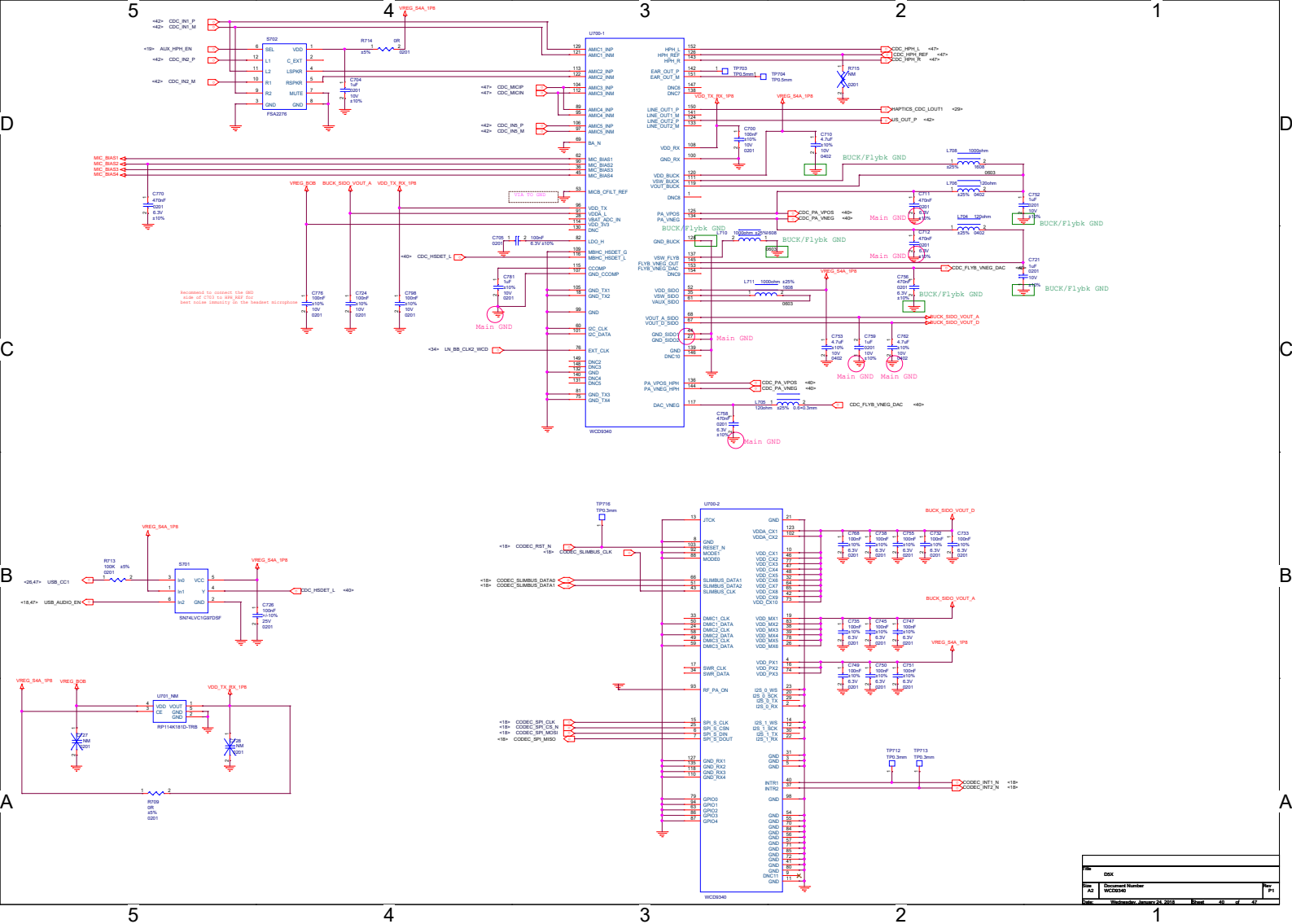


File	DSX
Size	Document Number
A3	P9229_WPOWER
Date	Wednesday, January 24, 2018
Sheet	38 of 47
Rev	P1

<17> UFS_RESET_N
 <17> UFS1_REF_CLK
 <17> UFS1_L0_TX_P
 <17> UFS1_L0_TX_M
 <17> UFS1_L0_RX_M
 <17> UFS1_L0_RX_P
 <17> UFS1_L1_TX_P
 <17> UFS1_L1_TX_M
 <17> UFS1_L1_RX_M
 <17> UFS1_L1_RX_P

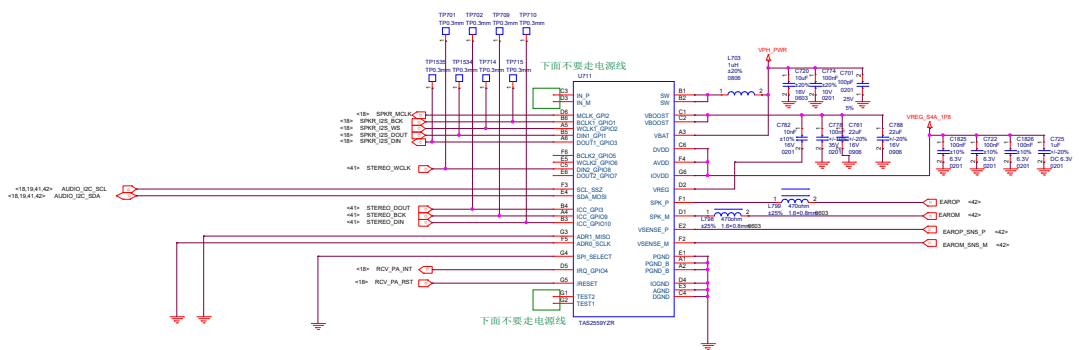


Title		DBX	
Size	Document Number	Rev	
A3	MEMORY UFS	P1	
Date:	Wednesday, January 24, 2018	Sheet	39 of 47

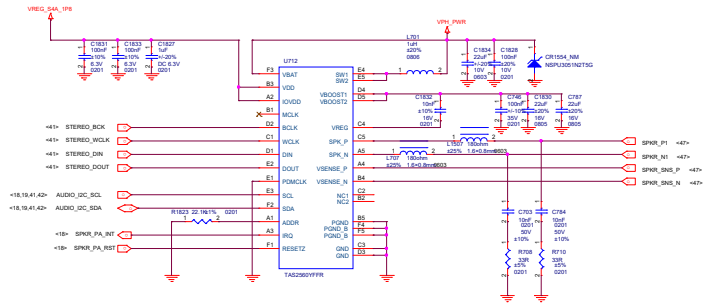


Rev	001	Doc Number	W700-1	Rev	P1
Rev	A2	Doc Number	W700-1	Rev	P1

Receiver PA R: 0x99 W:0x98

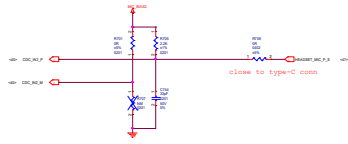


Speaker PA R:0x9F W:0x9E

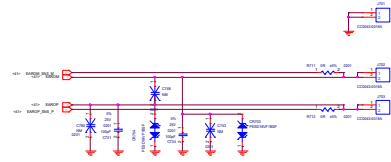


Rev	001	Doc Name	
Rev	A2	Doc Number	SDA07PA
Rev		Doc Date	2018.04.23

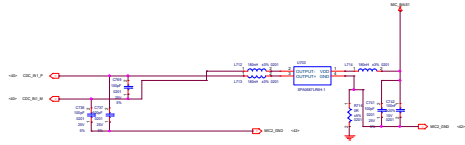
HEADSET



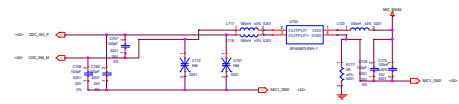
Receiver



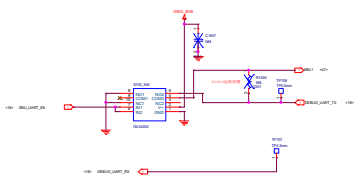
AUX Mic1



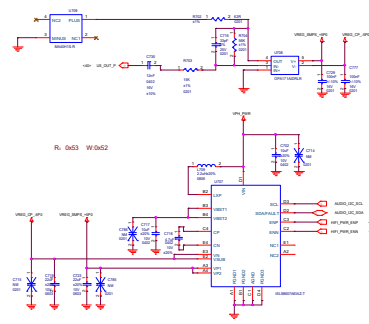
ULTRASONIC Mic1



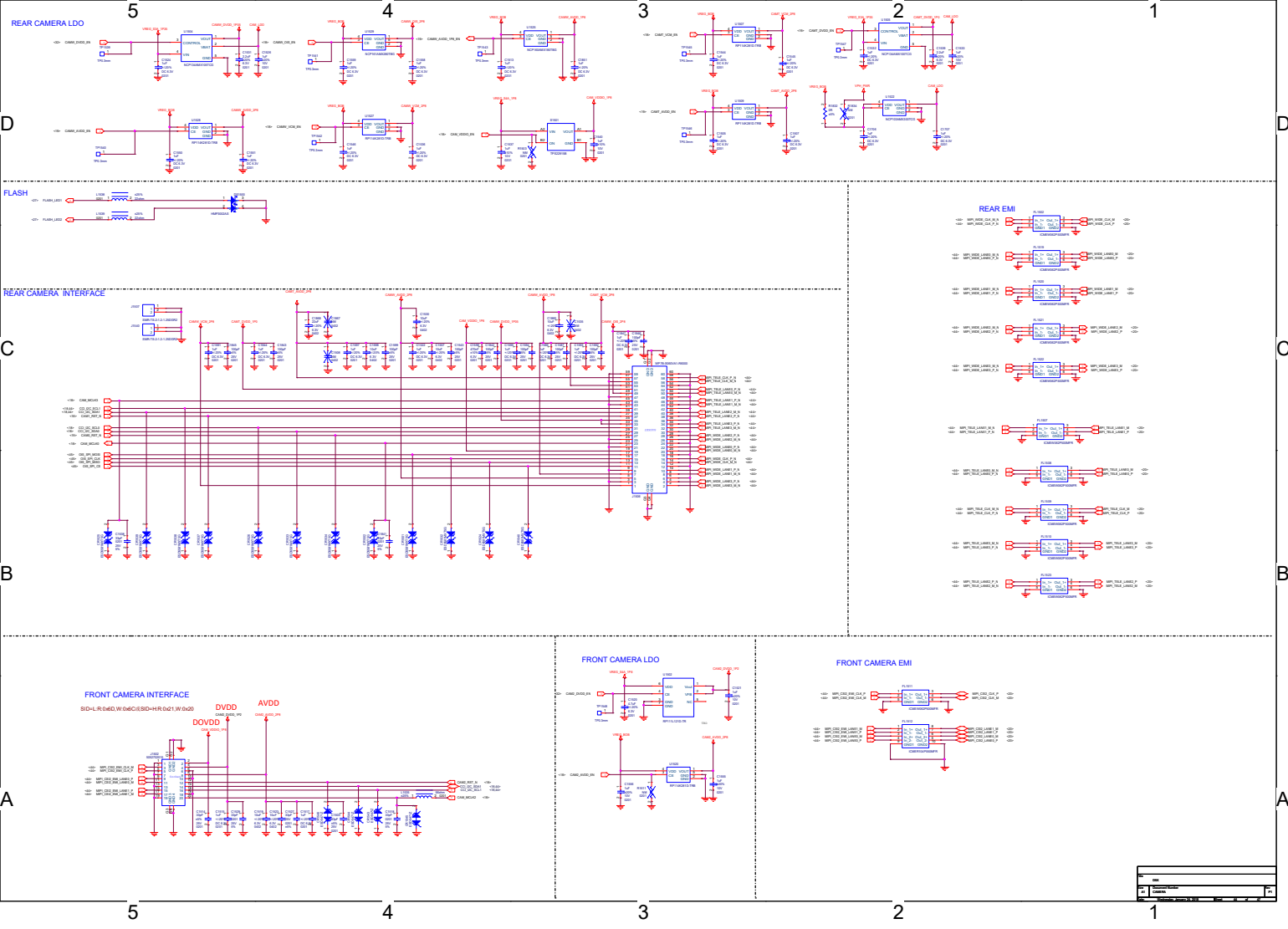
UART SWITCH



ULTRASONIC

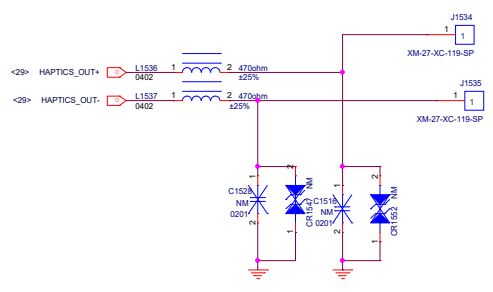


Rev	1
Date	2023-10-10
Author	John Doe
Checked	Jane Smith

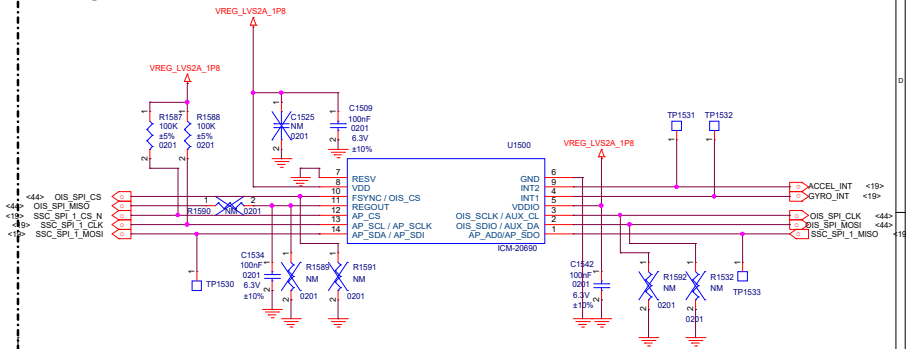


REV	1
DATE	
DESIGNER	
CHECKER	
APPROVER	

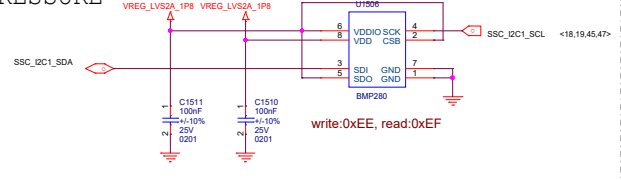
HAPTICS



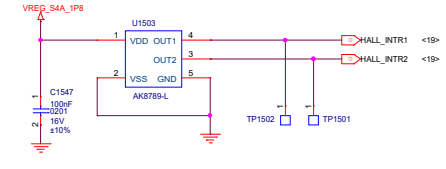
A+G



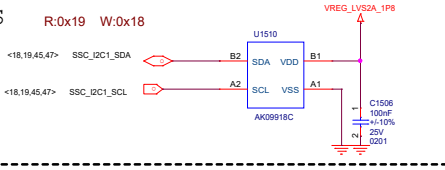
PRESSURE



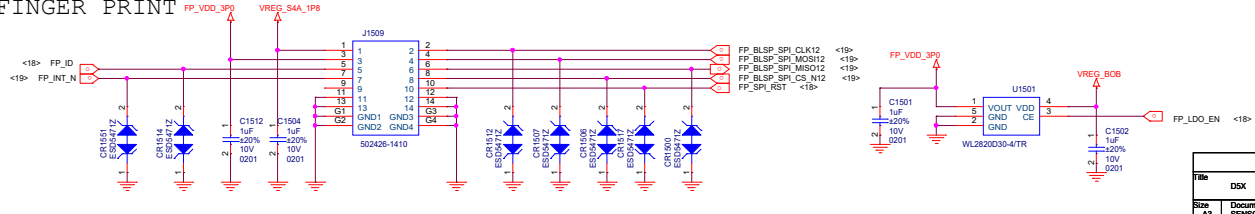
HALL



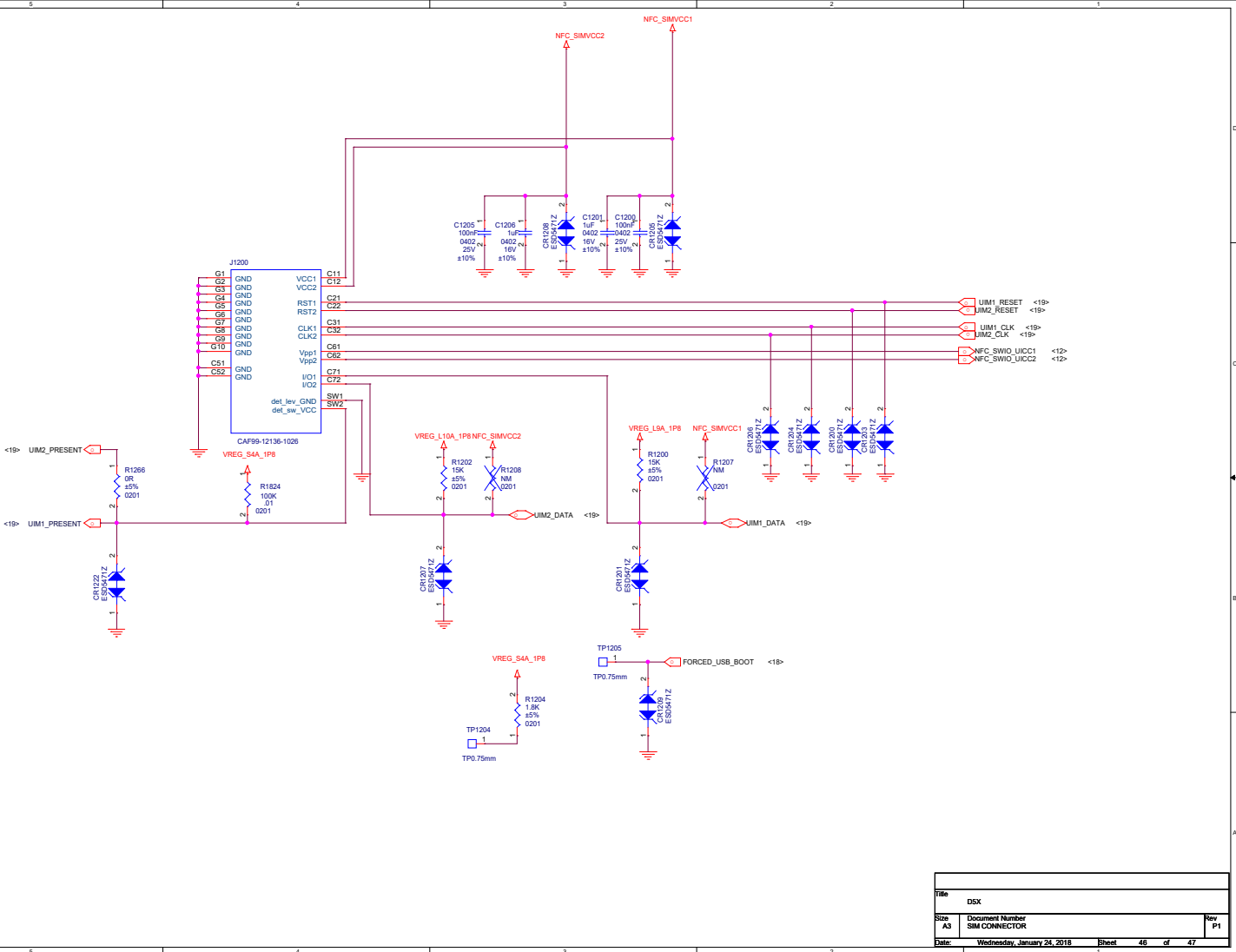
COMPASS



FINGER PRINT



File	DSX
Size	Document Number
A3	SENSOR
Date:	Rev P1
Sheet 45 of 47	



Title		DSX	
Size	A3	Document Number	SIM CONNECTOR
Date	Wednesday, January 24, 2018	Sheet	46 of 47
		Rev	P1

