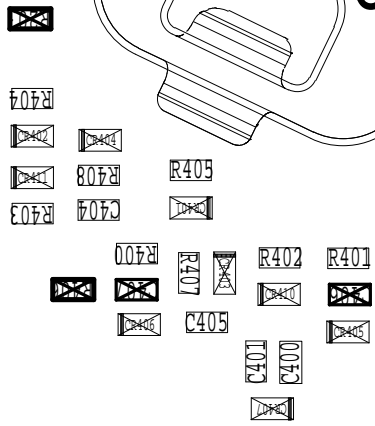
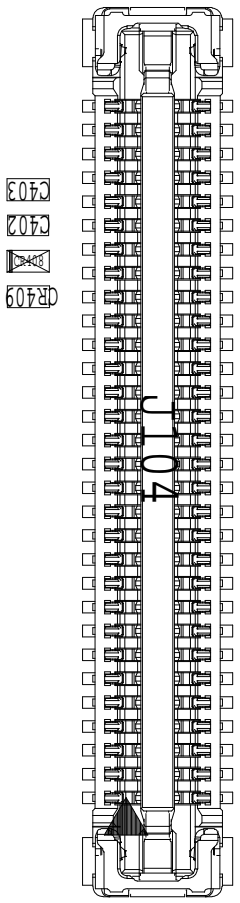
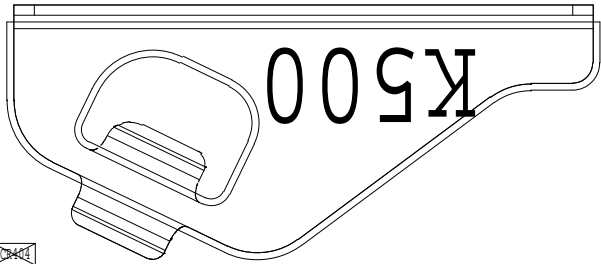
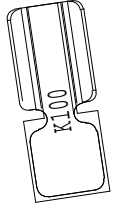
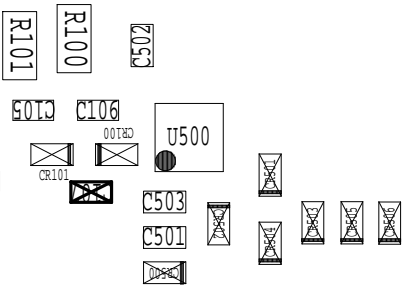
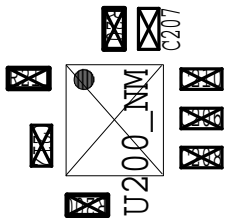
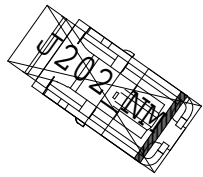
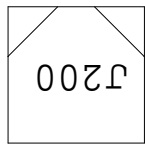


ni

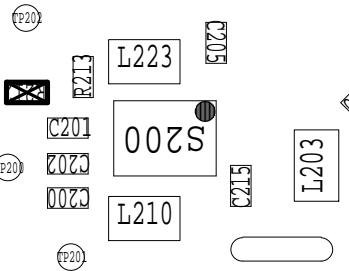
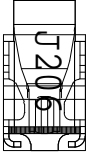
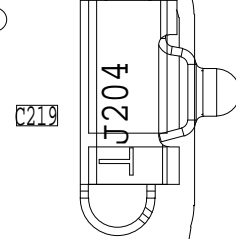
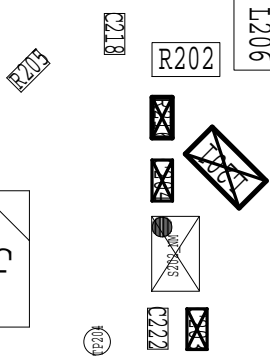
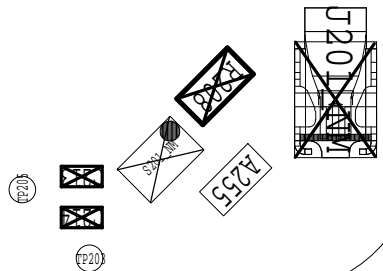
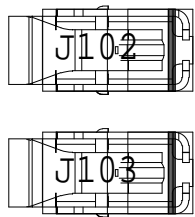
(VIETMOBILE.VN)



K500



J502



J205

J109

(VIETMOBILE.VN)

J108

J108

J400

J106

J100

J101

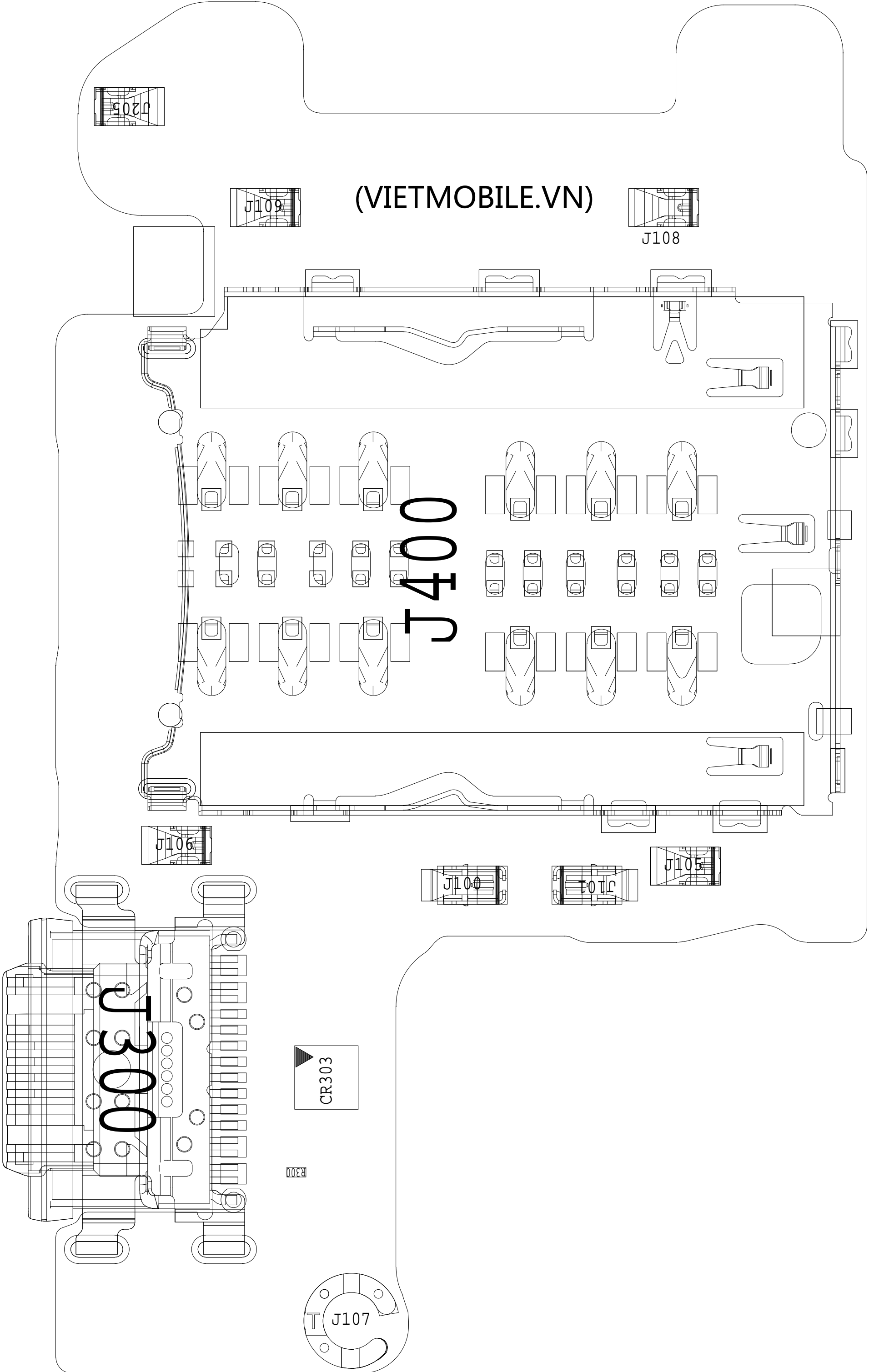
J105

J300

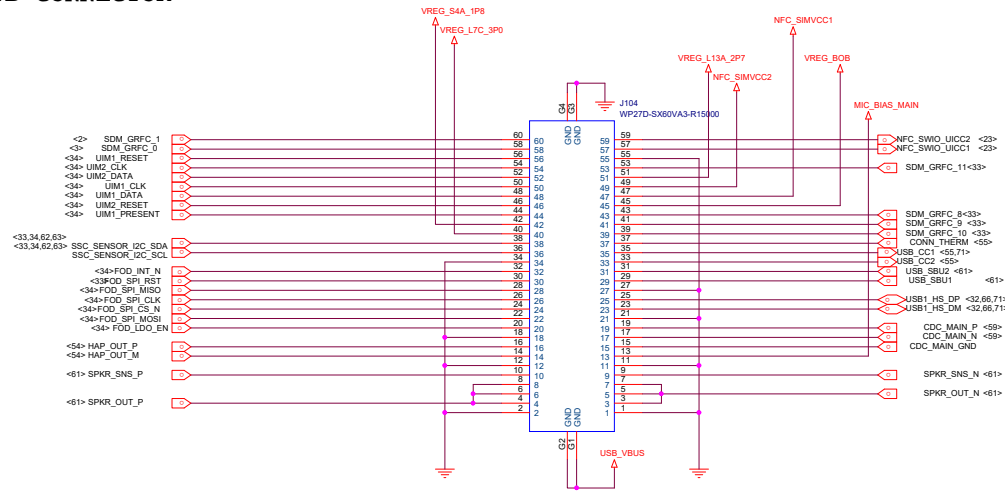
CR303

R300

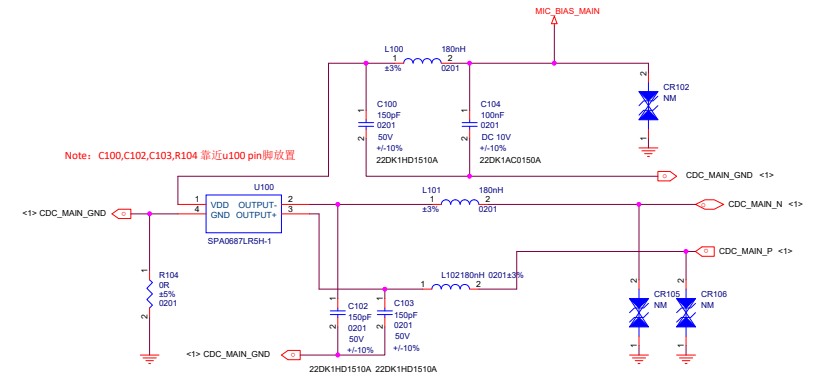
J107



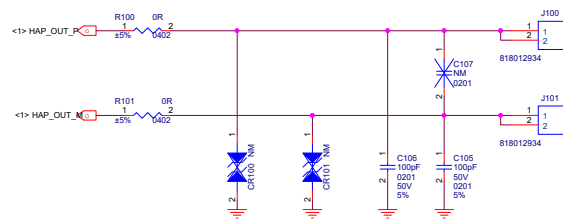
BTB CONNECTOR



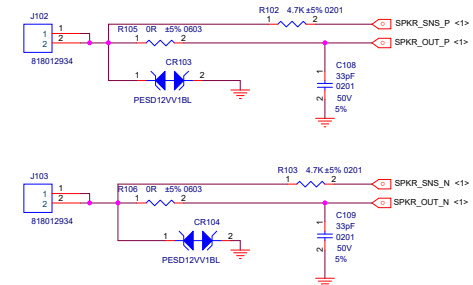
MIC



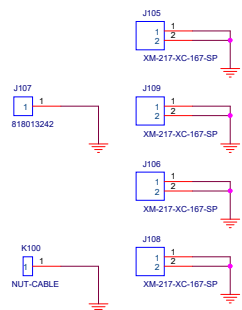
HAPTICS

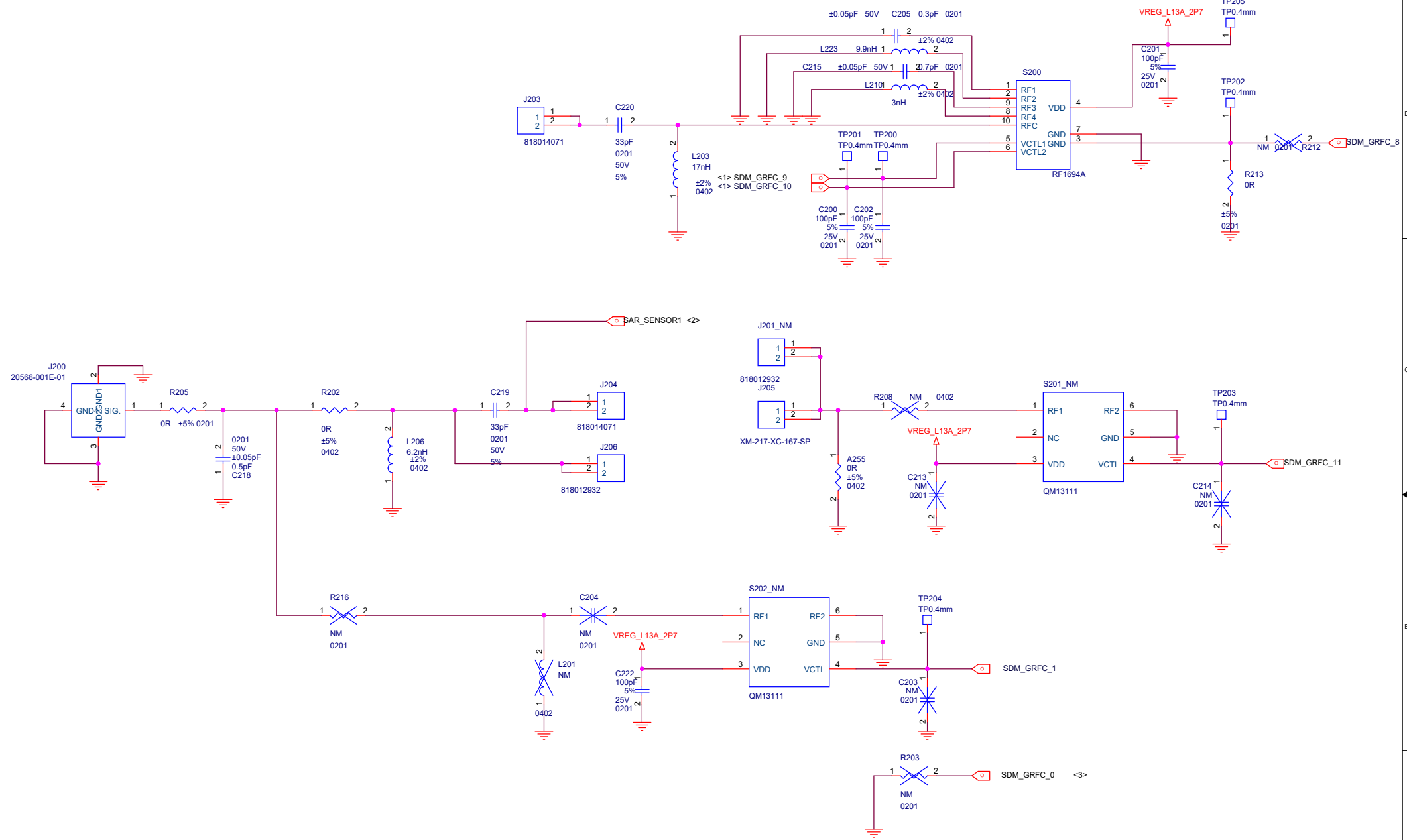


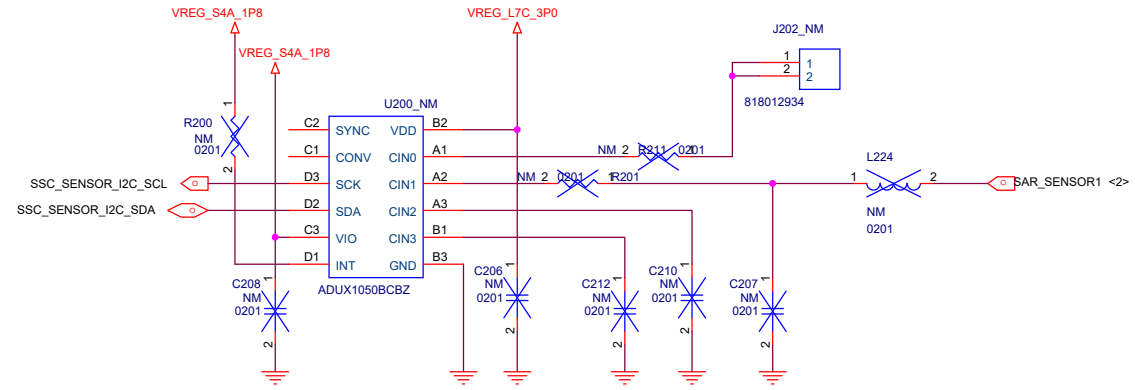
SPEAKER

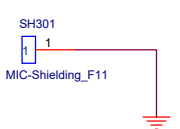
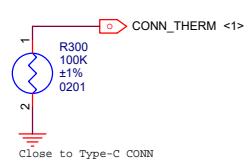
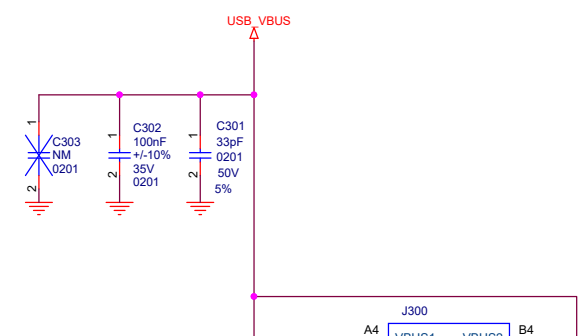
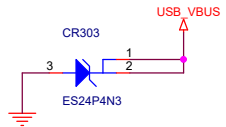
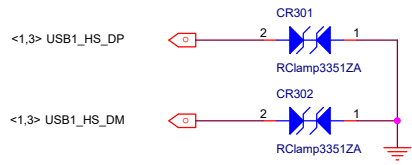


CLIP

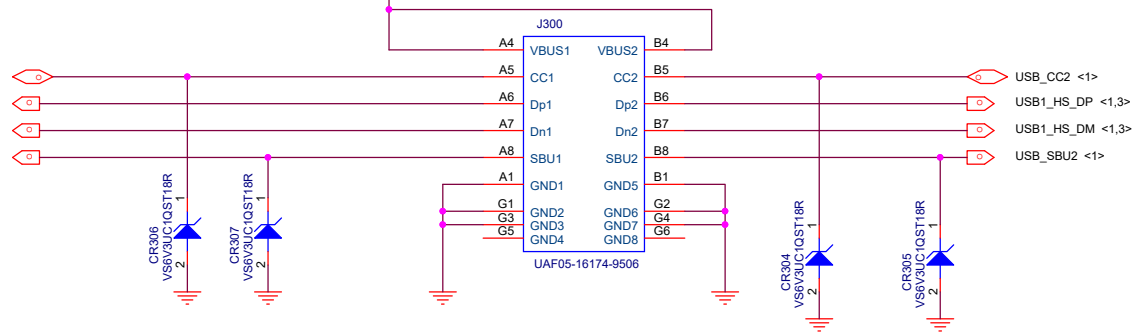


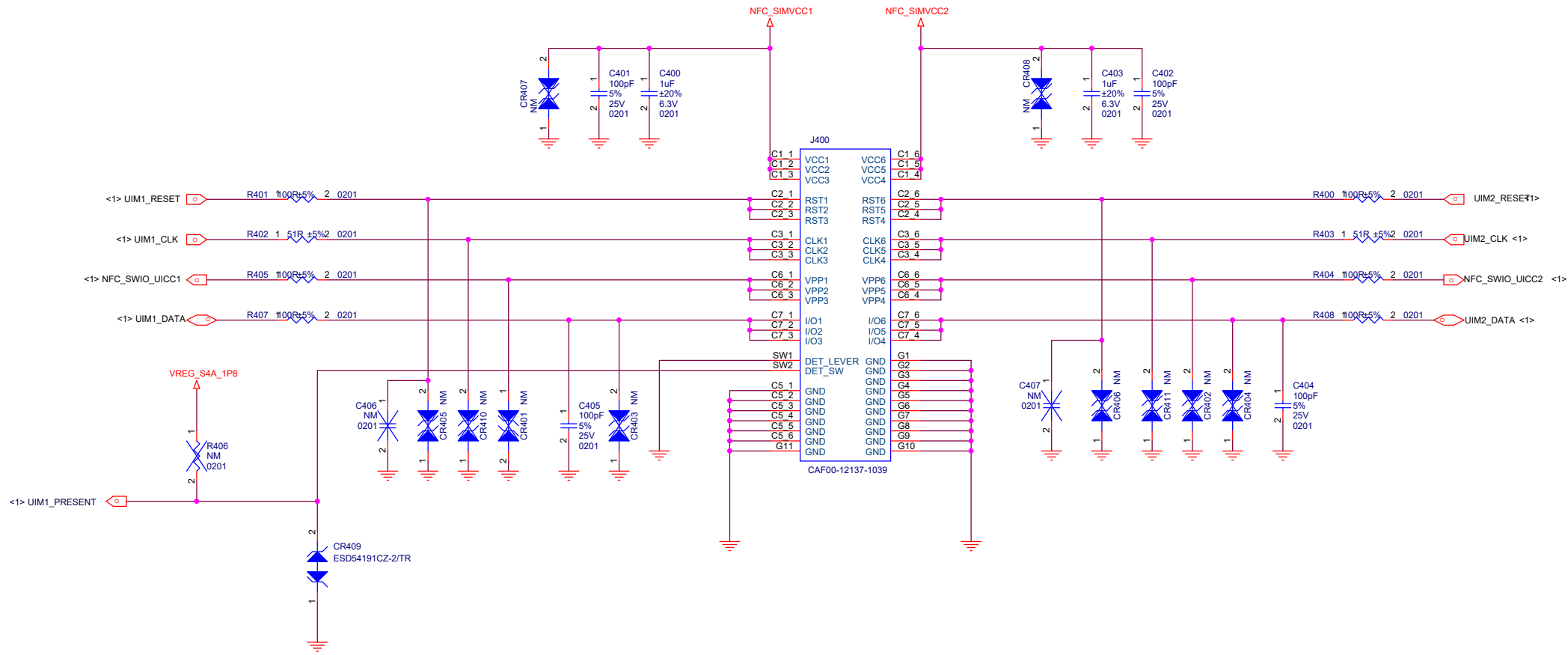




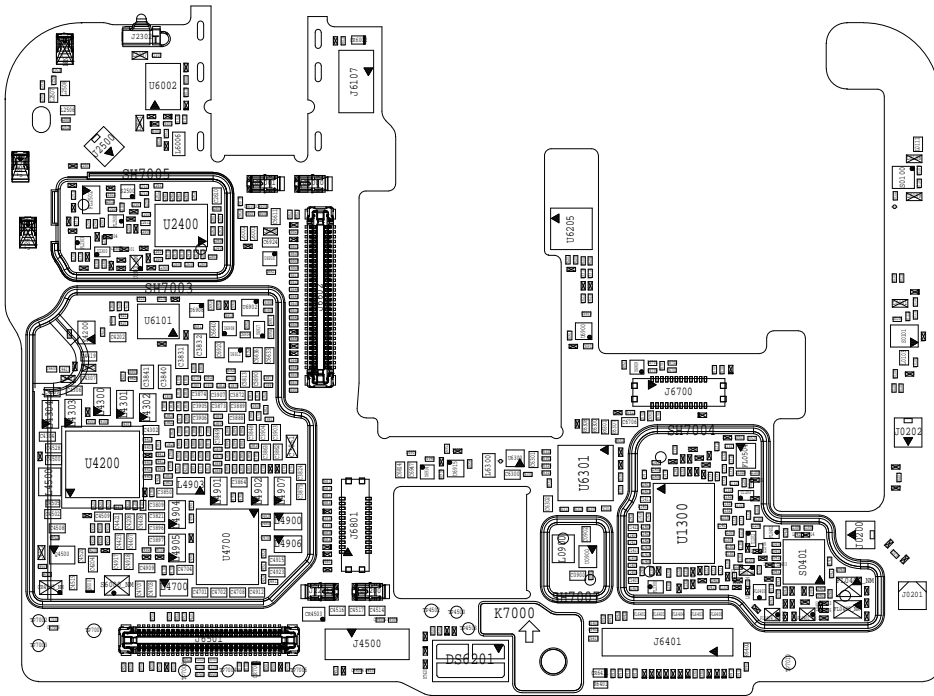


- <1> USB_CC1
- <1,3> USB1_HS_DP
- <1,3> USB1_HS_DM
- <1> USB_SBU1

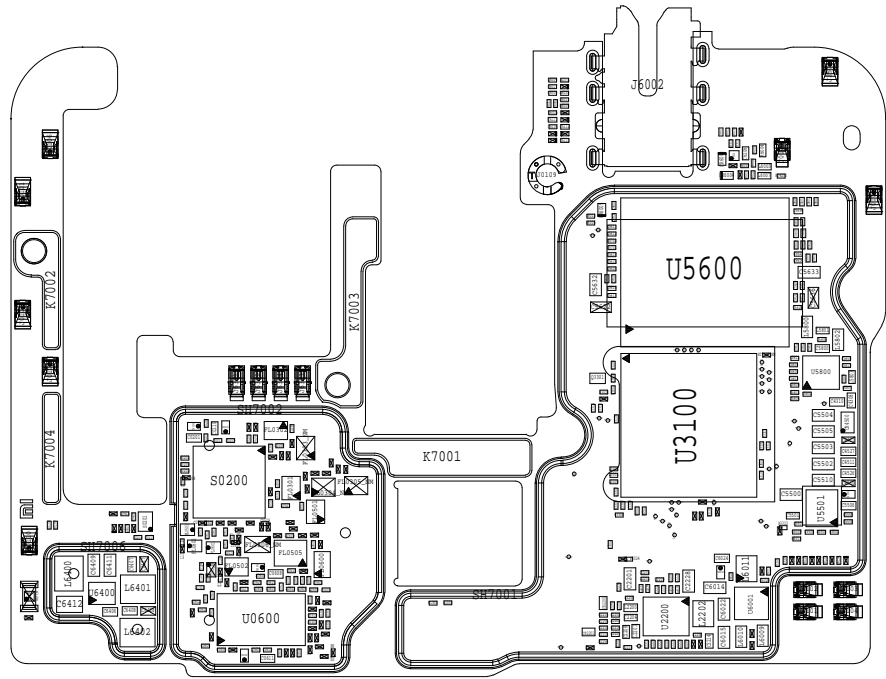




(VIETMOBILE.VN)

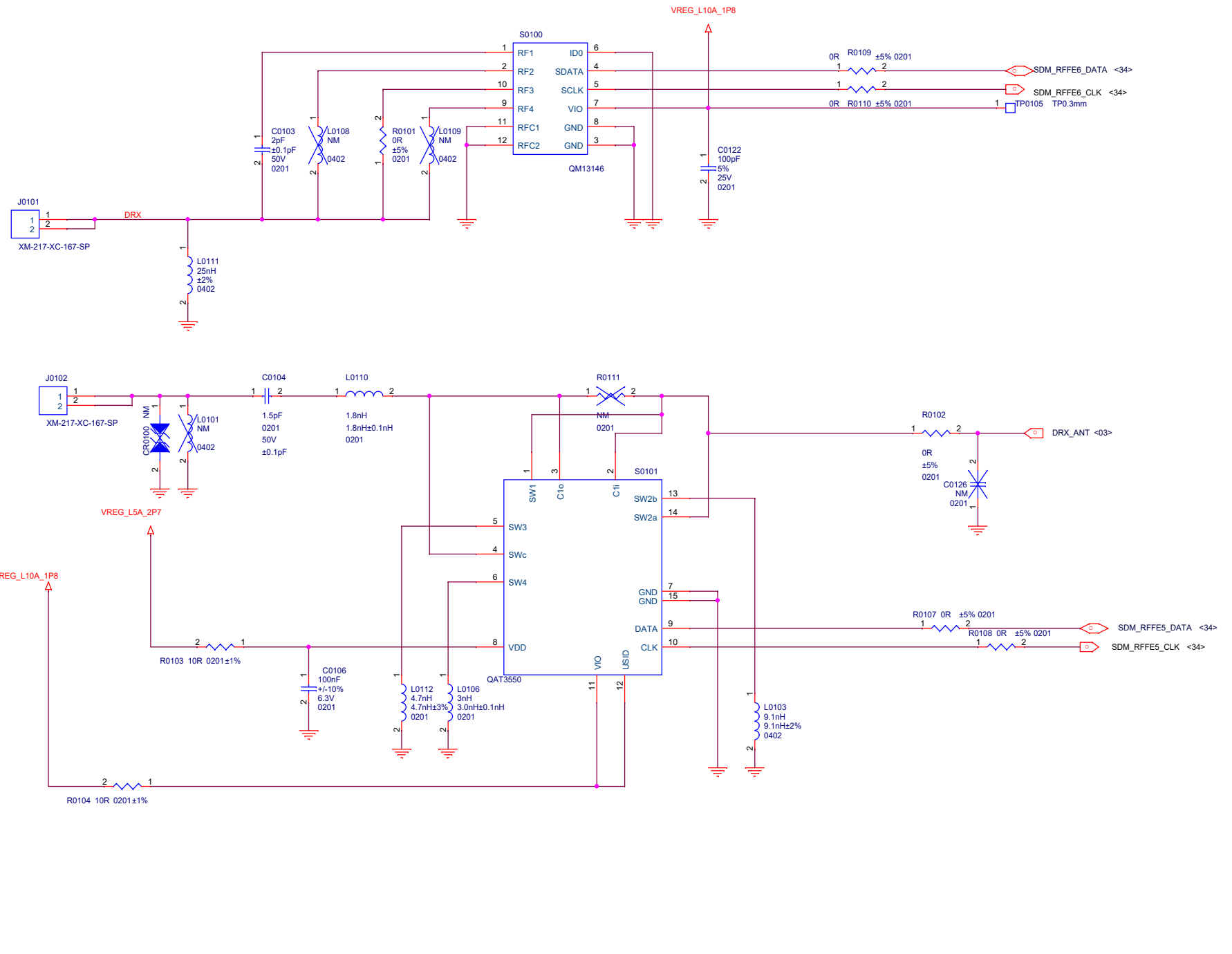


(VIETMOBILE.VN)

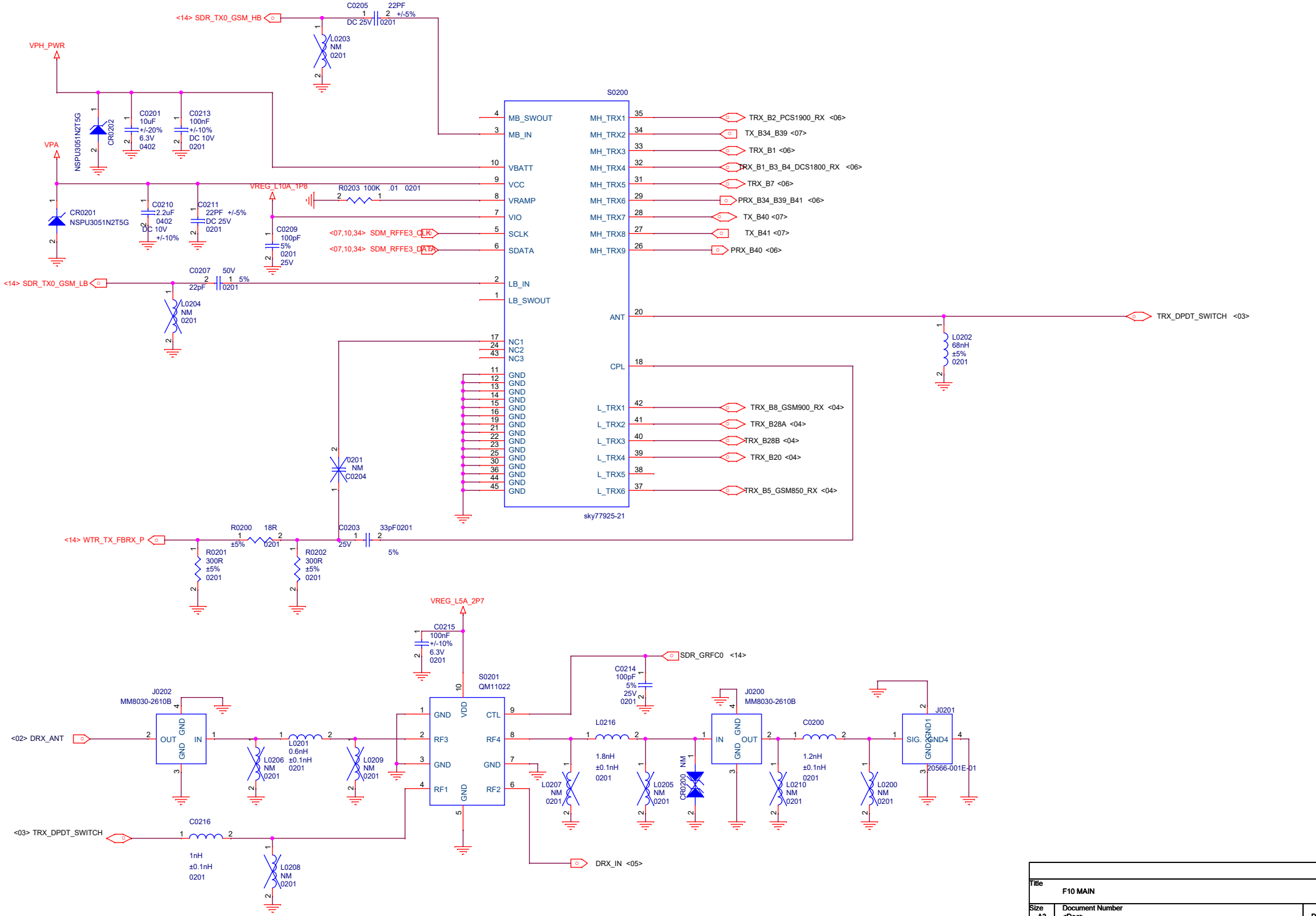


Title	
F10 MAIN	
Size	Document Number
A2	CONTENT
Date	Thursday, March 21, 2019
Sheet	01 of 71

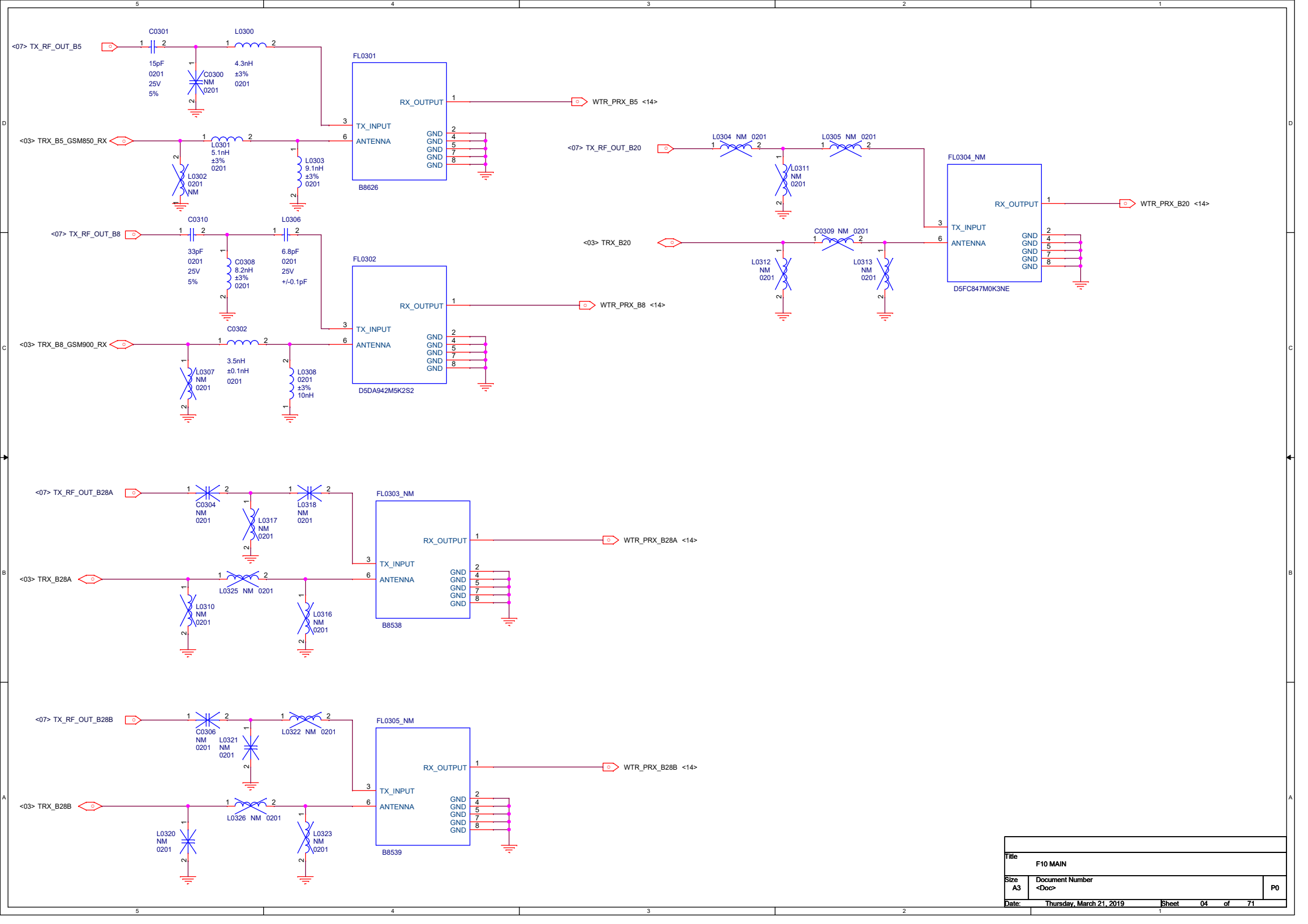
DRX_ANT



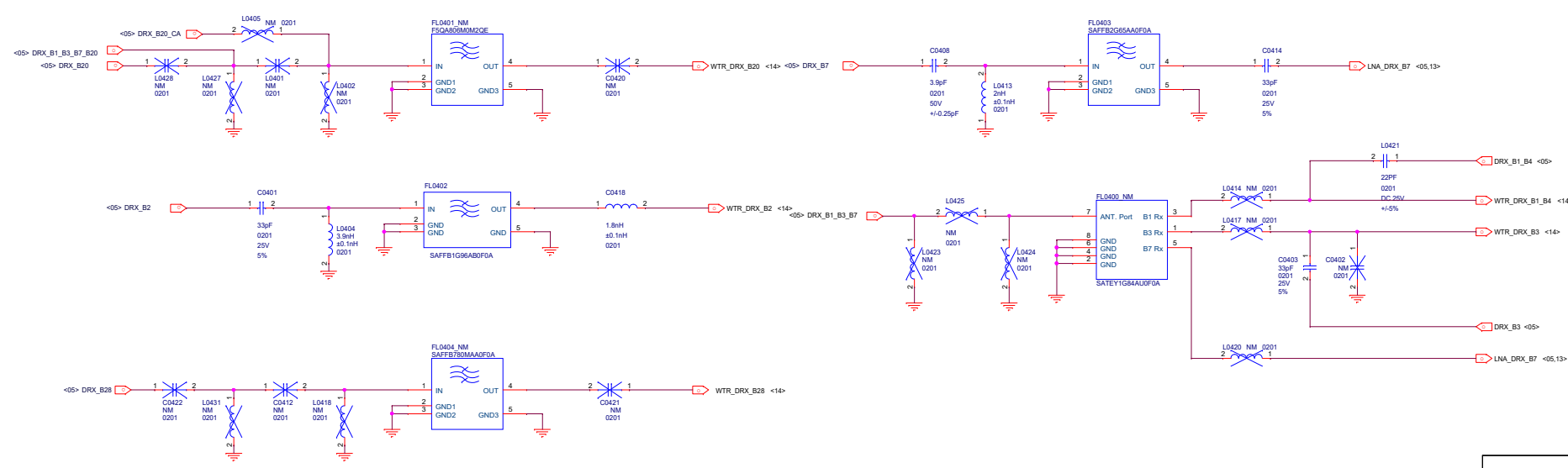
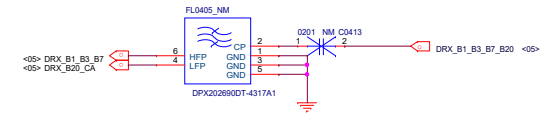
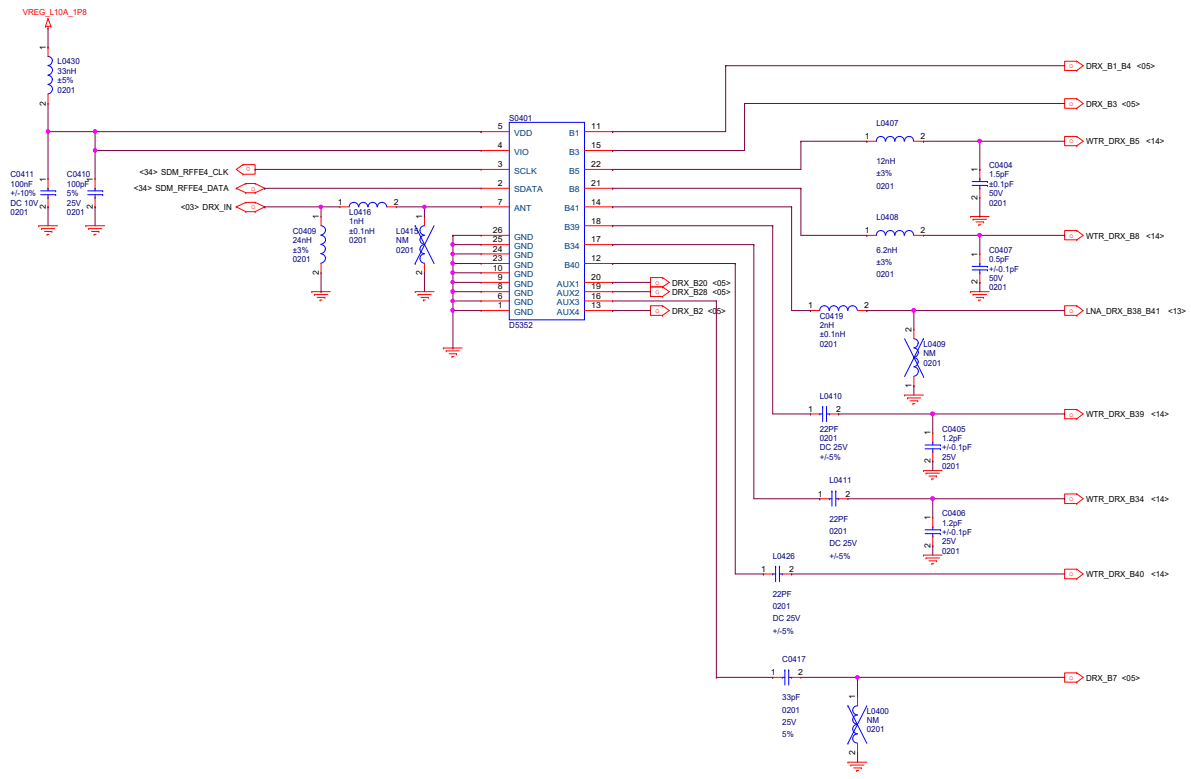
Title		F10 MAIN
Size	Document Number	<Doc>
A3		P0
Date:	Thursday, March 21, 2019	Sheet 02 of 71



Title		F10 MAIN
Size	A3	Document Number <Doc>
Date:	Thursday, March 21, 2019	Sheet 03 of 71

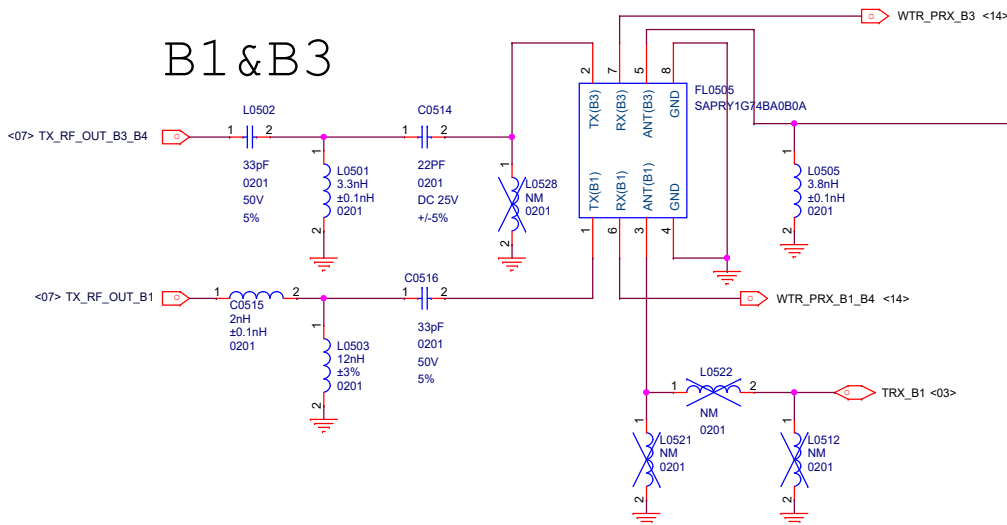


Title		F10 MAIN
Size	Document Number	P0
A3	<Doc>	
Date:	Thursday, March 21, 2019	Sheet 04 of 71

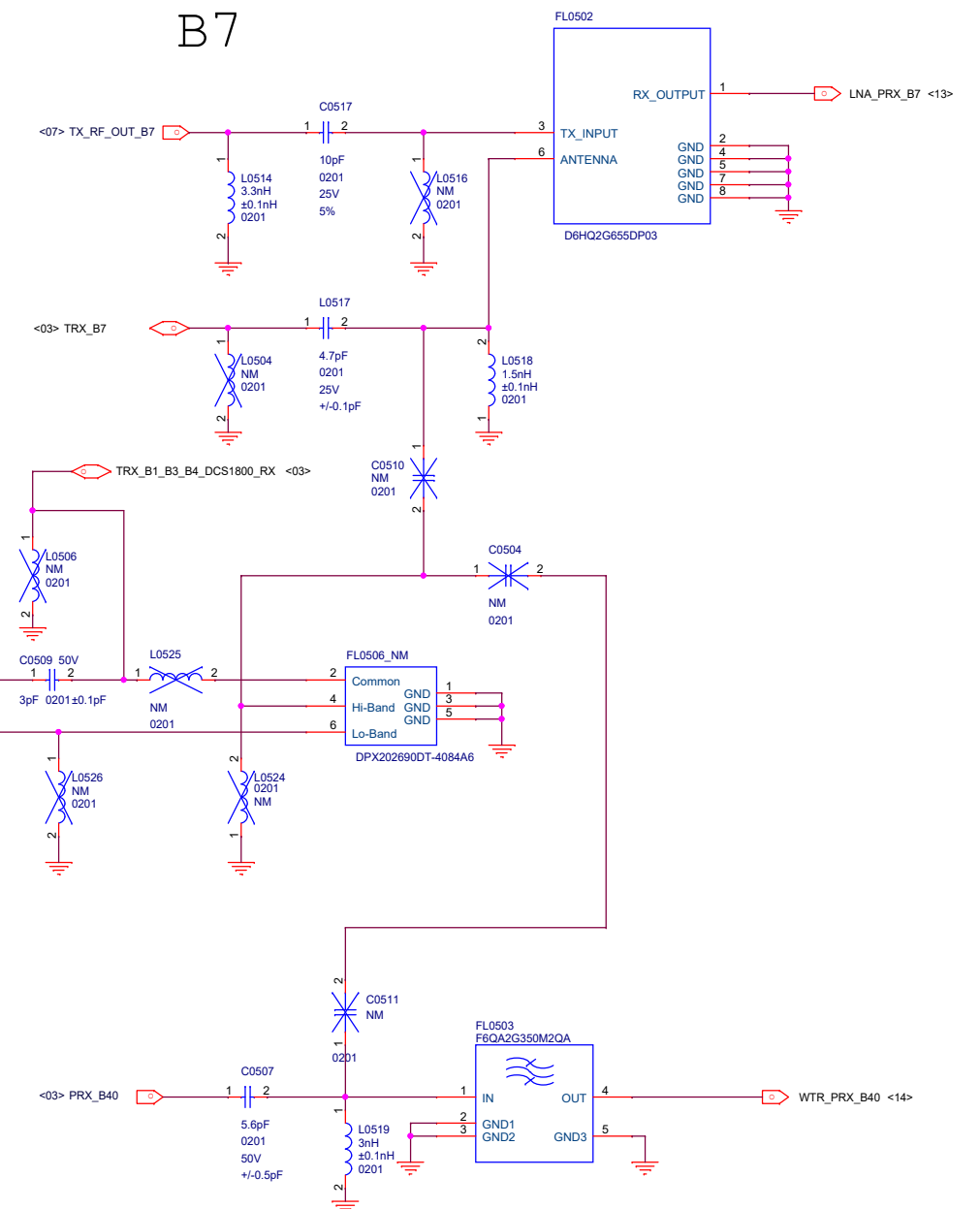


Title		F10 MAIN
Size	A2	Document Number <Doc>
Date	Thursday, March 21, 2019	Sheet 06 of 71

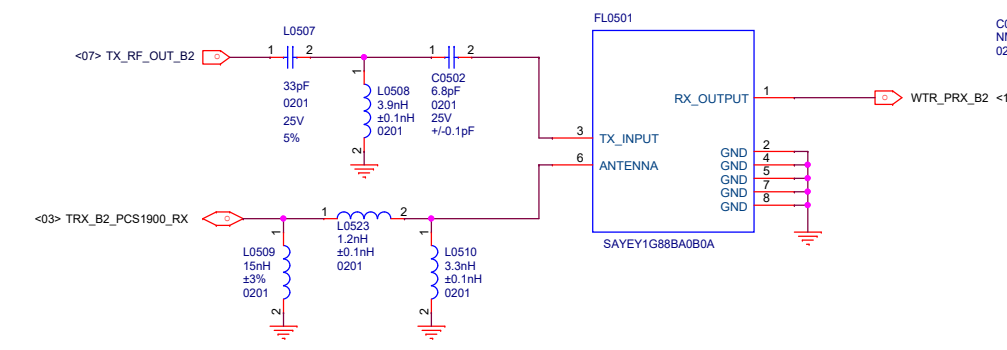
B1&B3



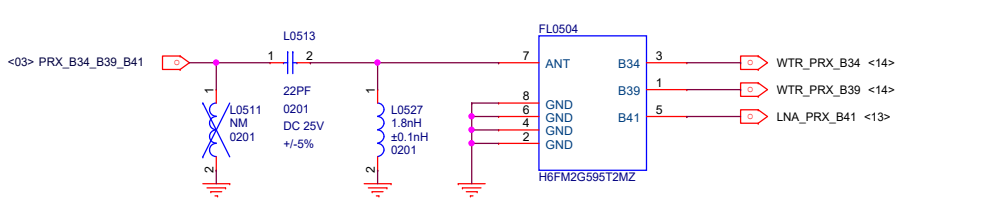
B7



B2

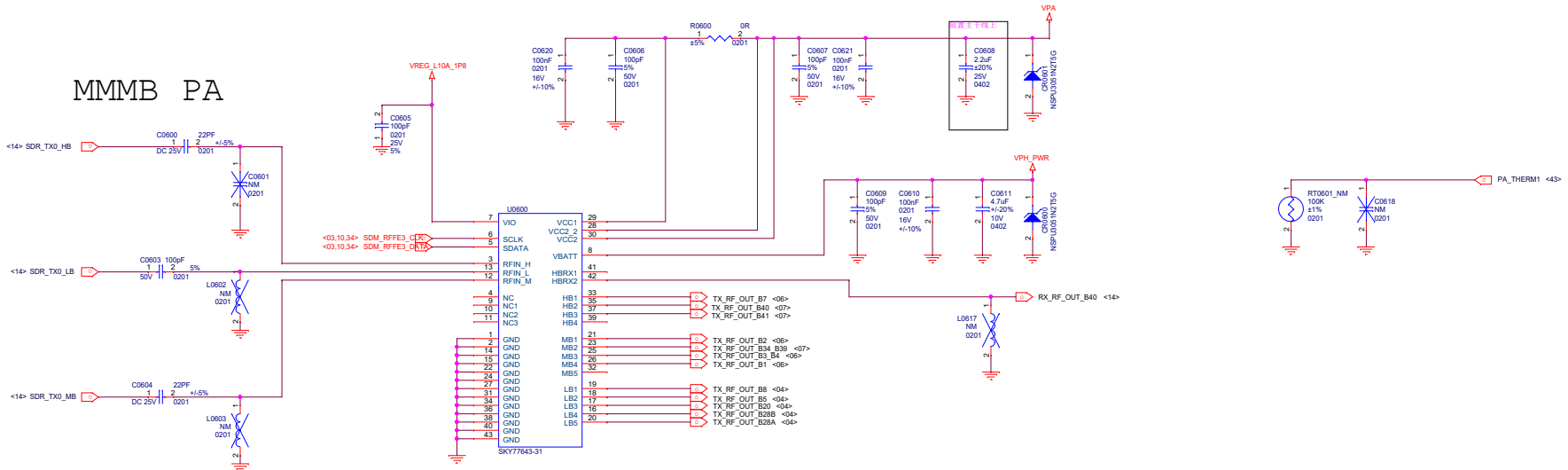


PRX B34_B39_B41

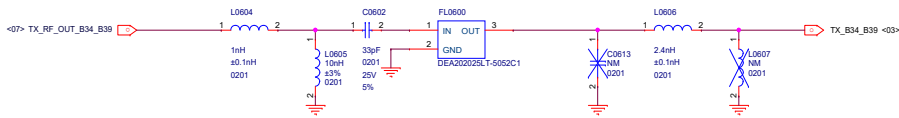


Title		F10 MAIN
Size	A3	Document Number <Doc>
Date:	Thursday, March 21, 2019	Sheet 06 of 71

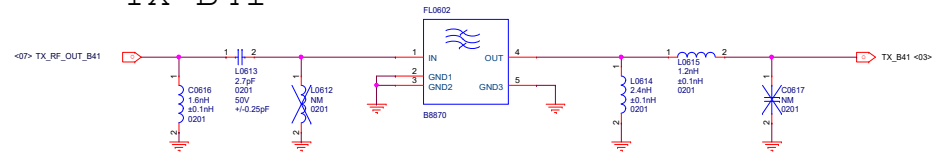
MMMB PA



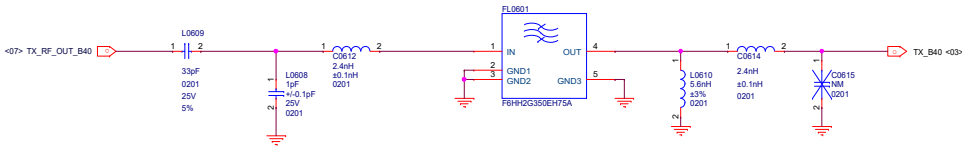
TX B34_B39

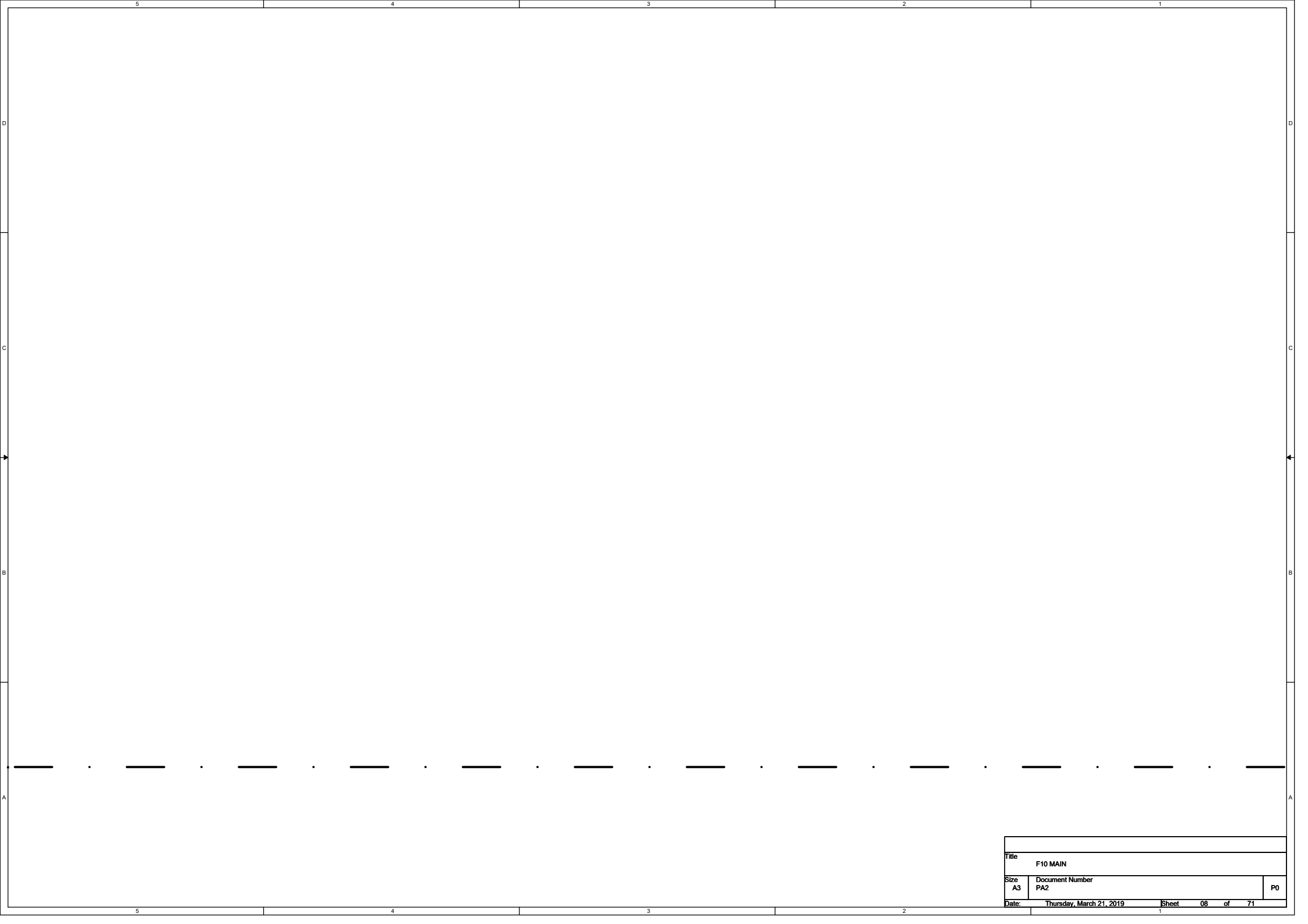


TX B41

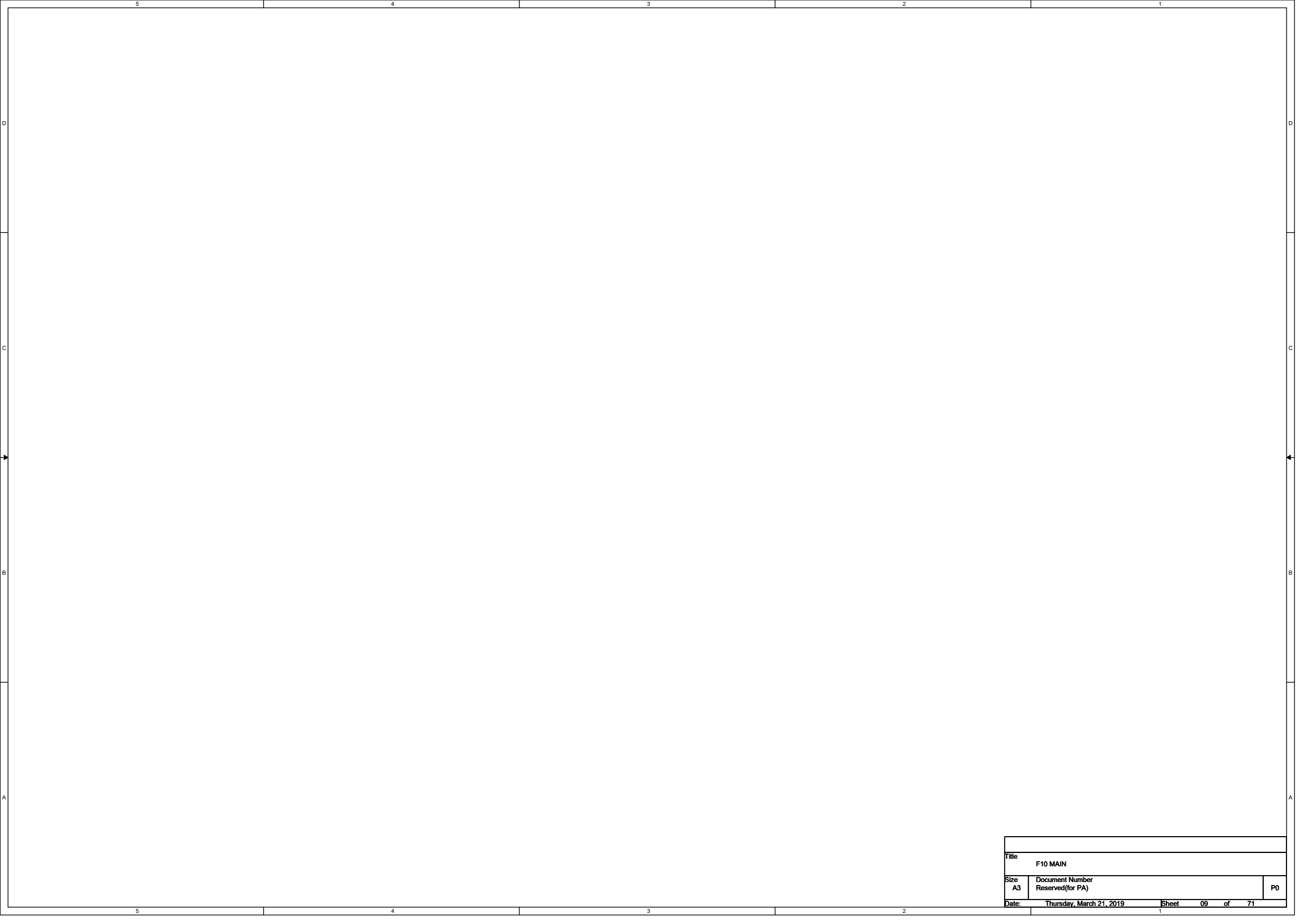


TX B40





Title		F10 MAIN	
Size	Document Number	P0	
A3	PA2		
Date:	Thursday, March 21, 2019	Sheet	08 of 71



5

4

3

2

1

D

D

C

C

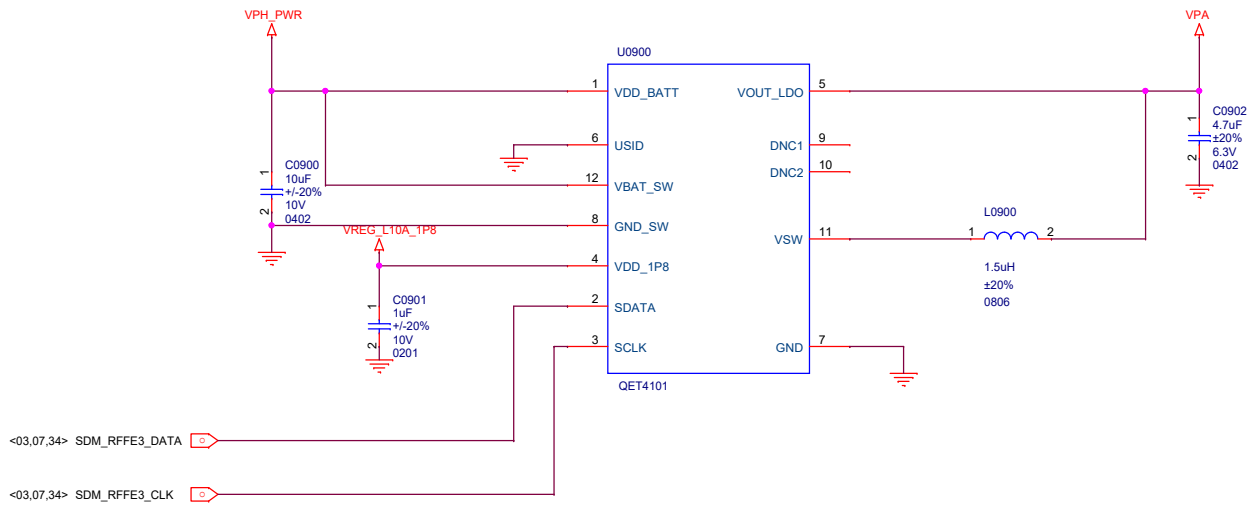
B

B

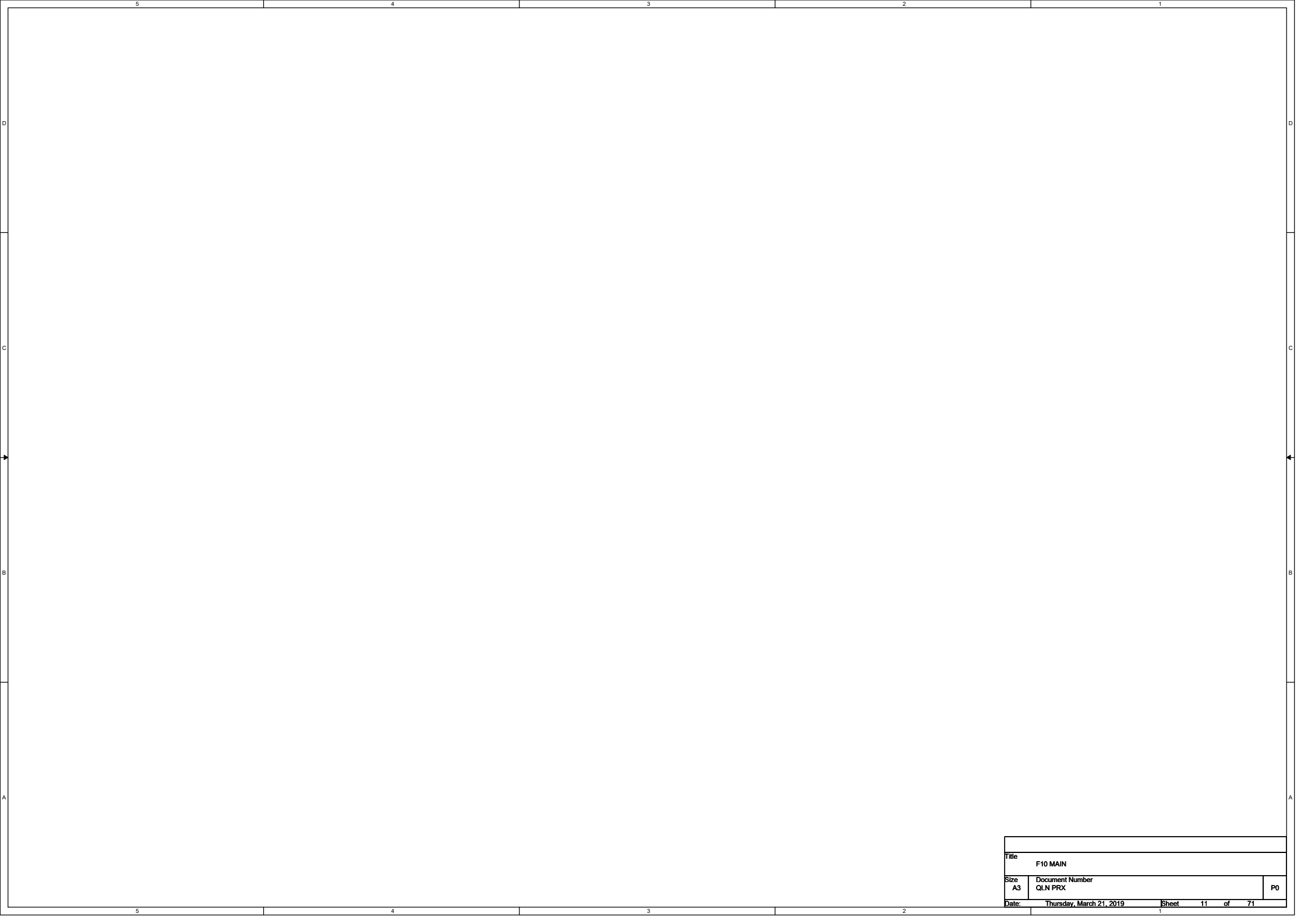
A

A

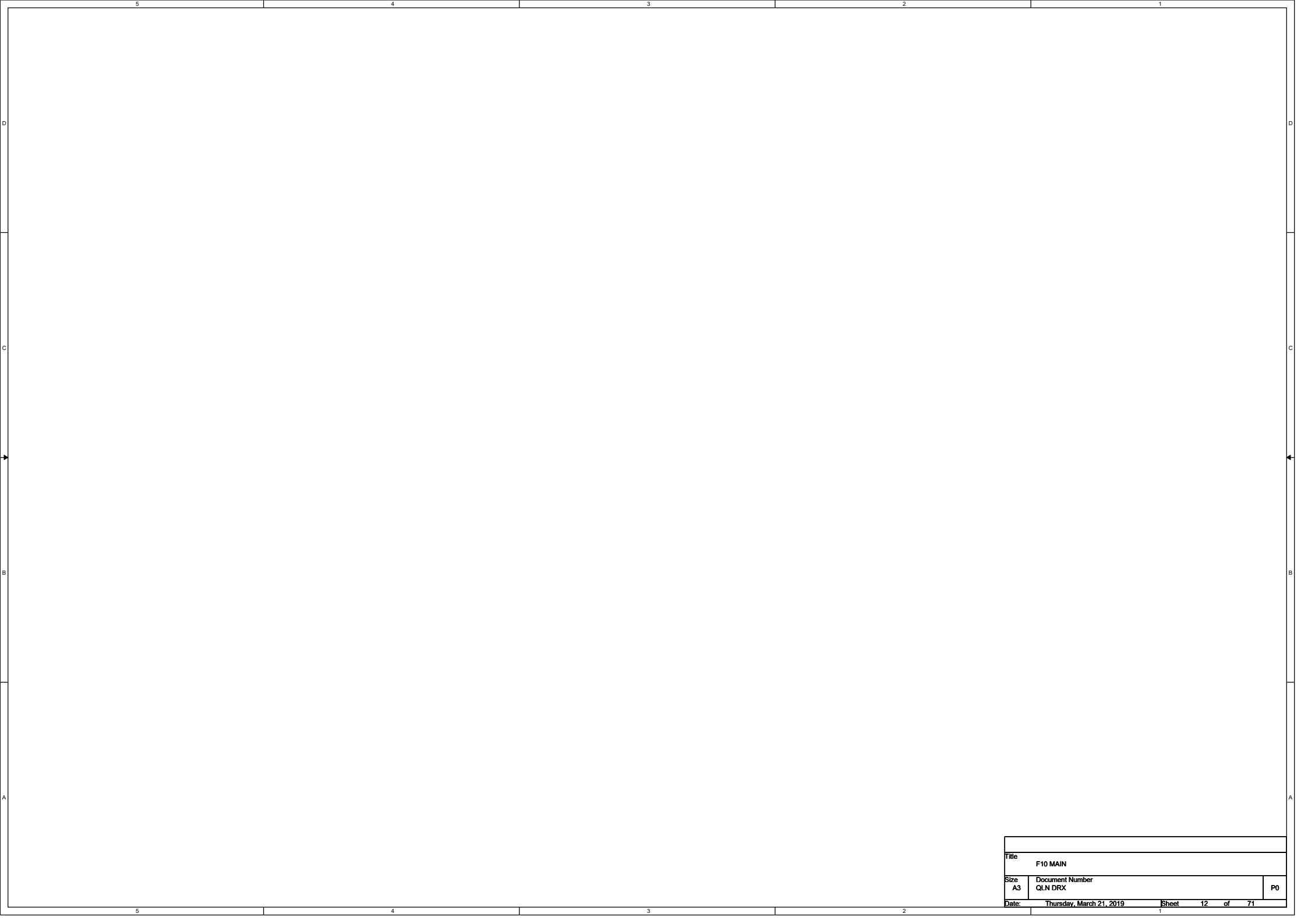
Title		
F10 MAIN		
Size	Document Number	P0
A3	Reserved(for PA)	
Date:	Thursday, March 21, 2019	Sheet 09 of 71



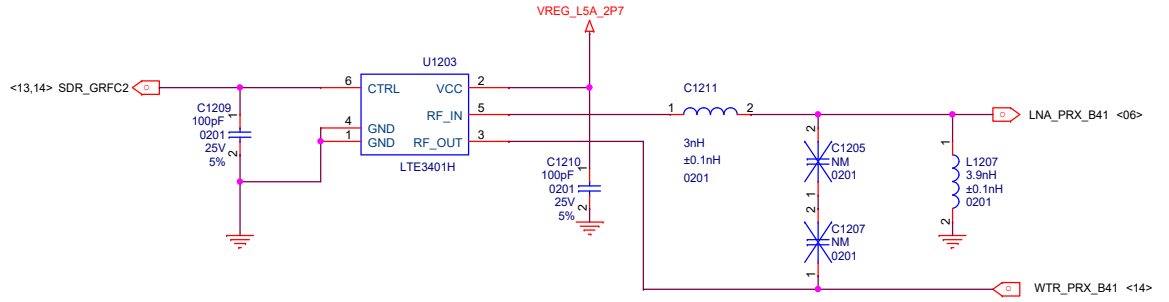
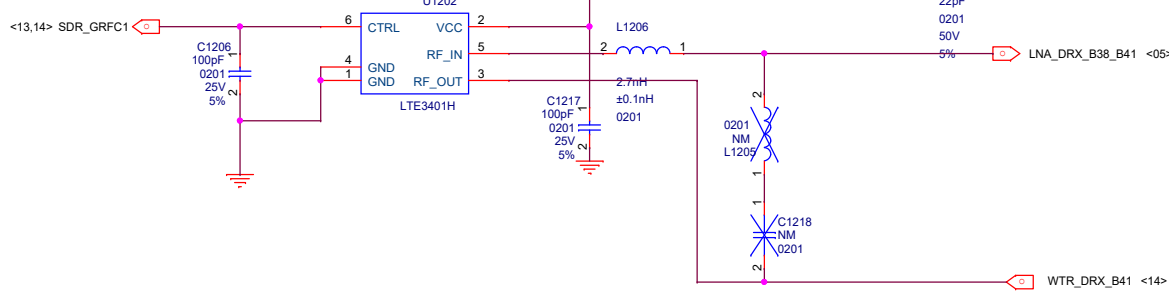
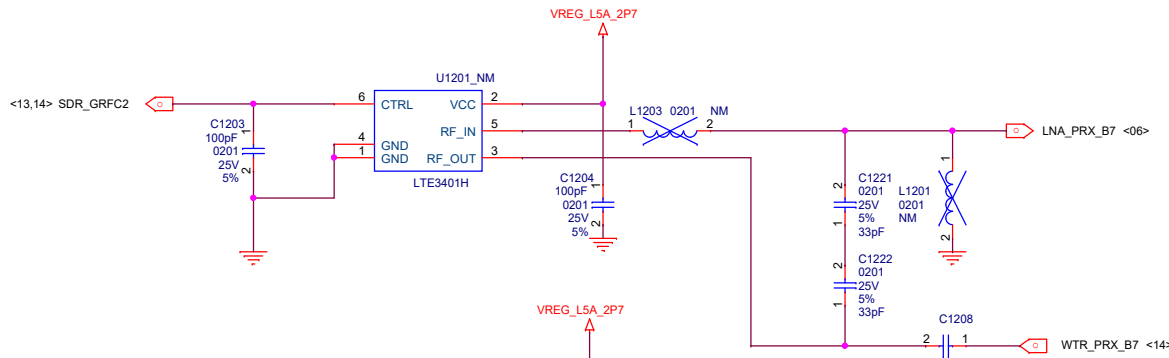
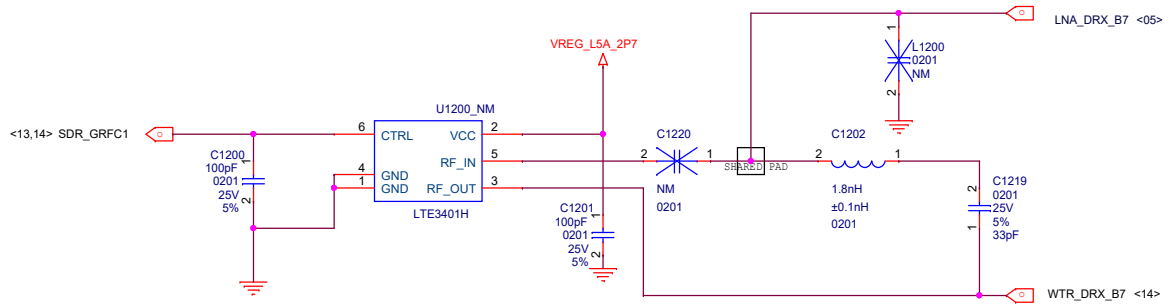
Title		F10 MAIN
Size	Document Number	P0
A3	RF DC-DC	
Date:	Thursday, March 21, 2019	Sheet 10 of 70



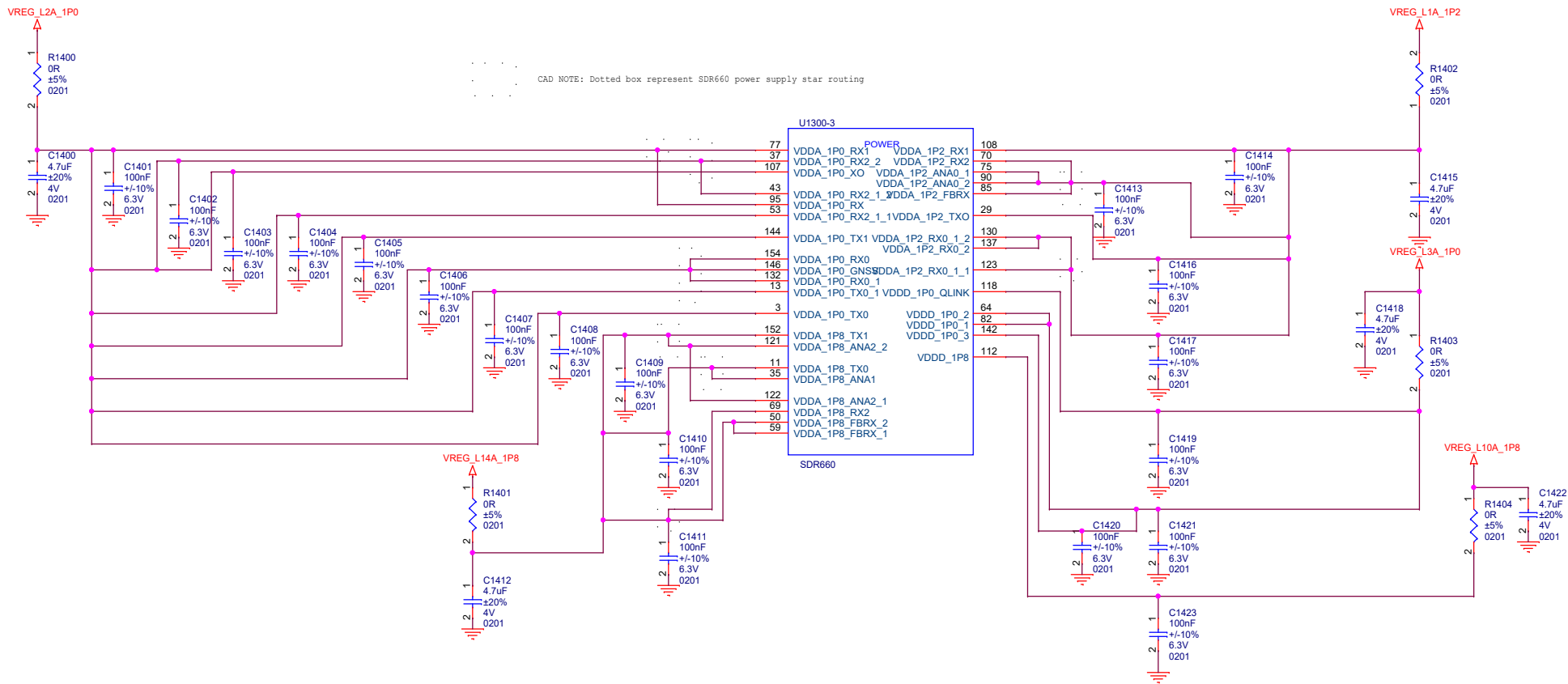
Title		F10 MAIN	
Size	Document Number	P0	
A3	QLN PRX		
Date:	Thursday, March 21, 2019	Sheet	11 of 71



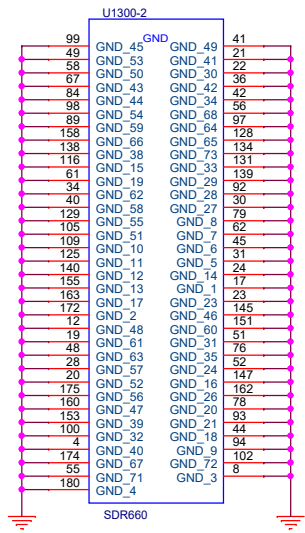
Title		F10 MAIN	
Size	Document Number	P0	
A3	QLN DRX		
Date:	Thursday, March 21, 2019	Sheet	12 of 71



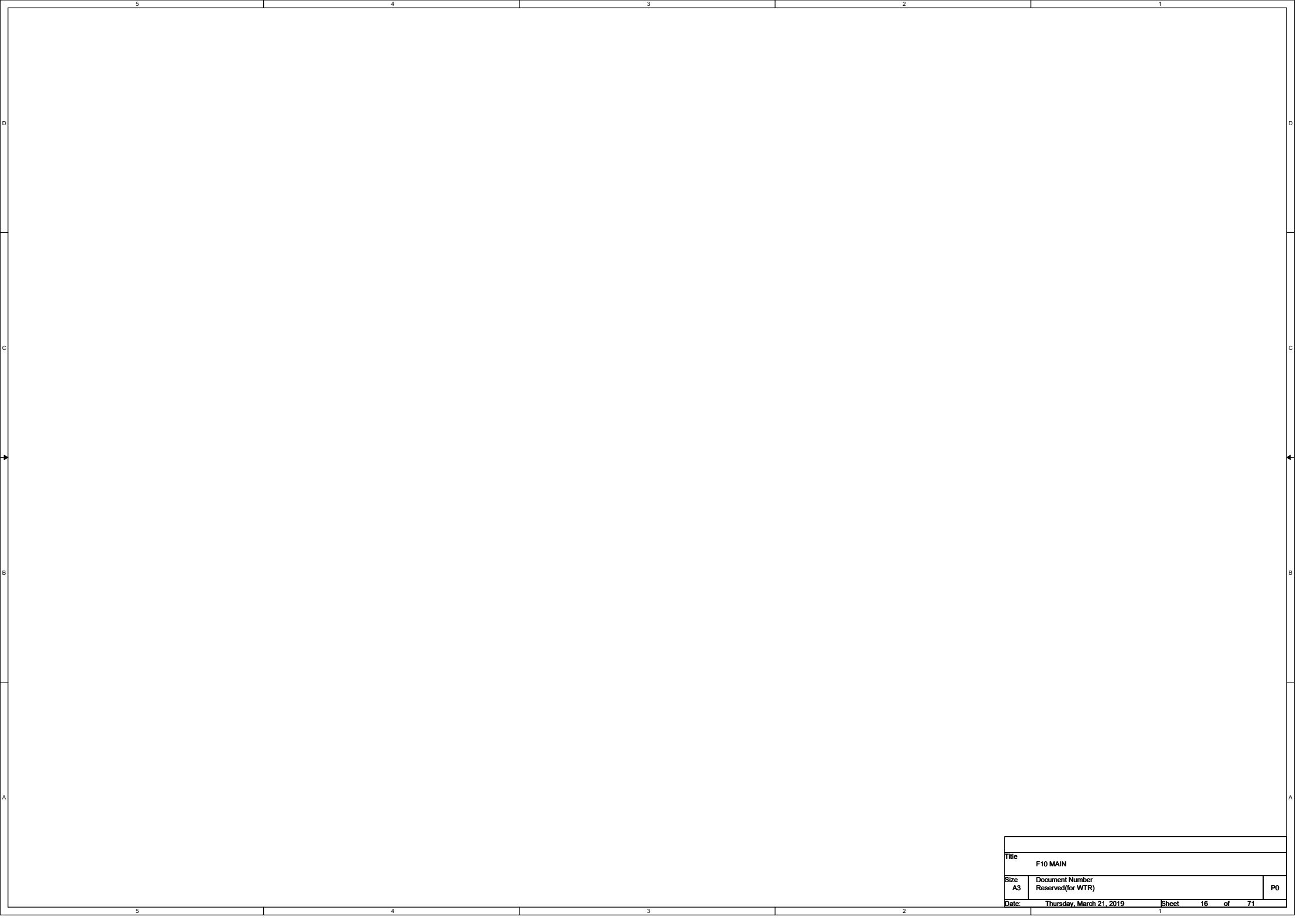
Title		F10 MAIN
Size	Document Number	Reserved(for LNA)
A3		
Date:	Thursday, March 21, 2019	Sheet 13 of 70
		P0



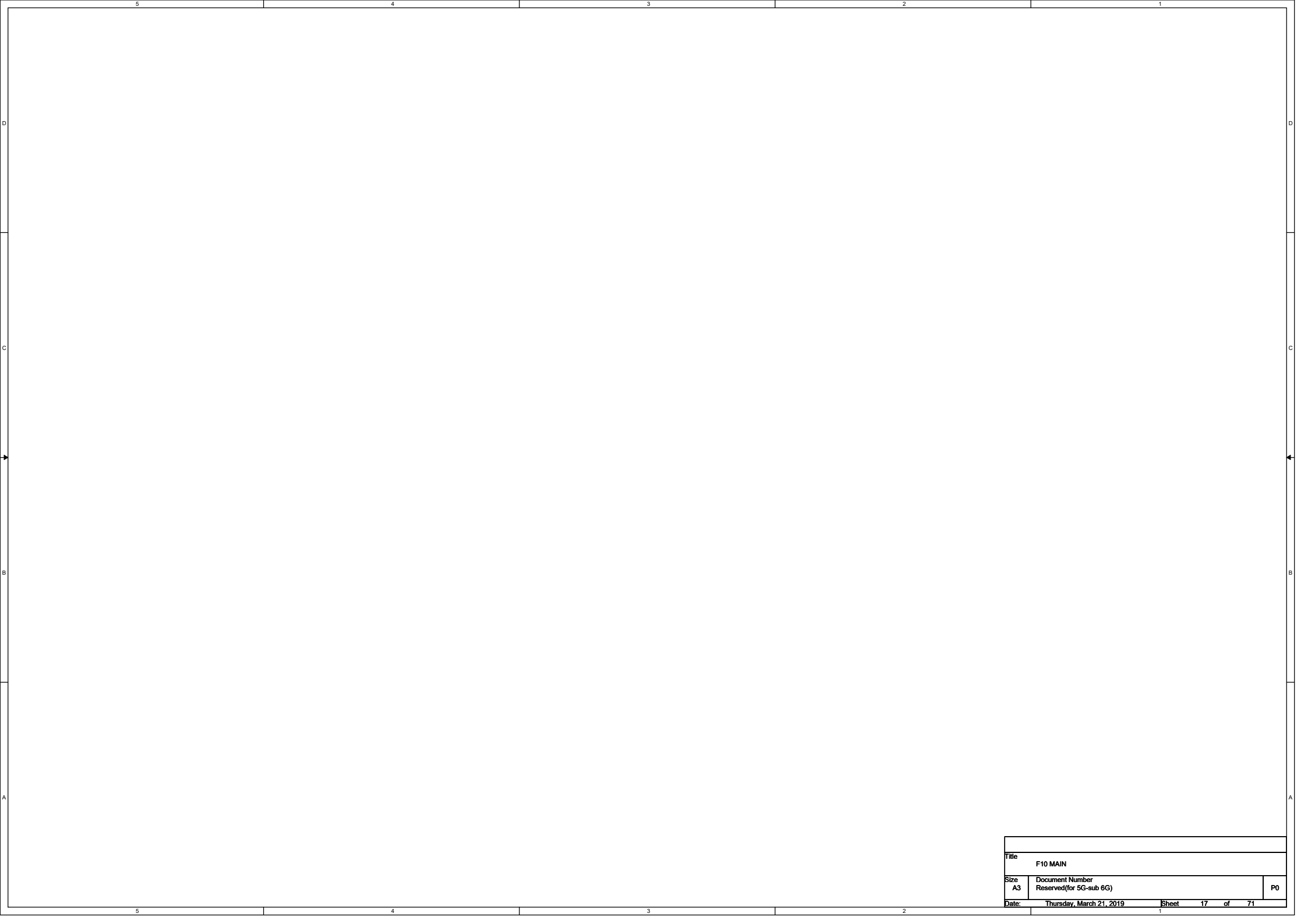
CAD NOTE: Dotted box represent SDR660 power supply star routing



Title		F10 MAIN
Size	Document Number	PO
A3	WTR PWR	
Date:	Thursday, March 21, 2019	Sheet 15 of 70



Title		
F10 MAIN		
Size	Document Number	P0
A3	Reserved(for WTR)	
Date:	Thursday, March 21, 2019	Sheet 16 of 71



5

4

3

2

1

D

D

C

C

B

B

A

A

Title		
F10 MAIN		
Size	Document Number	P0
A3	Reserved(for 5G-sub 6G)	
Date:	Thursday, March 21, 2019	Sheet 17 of 71

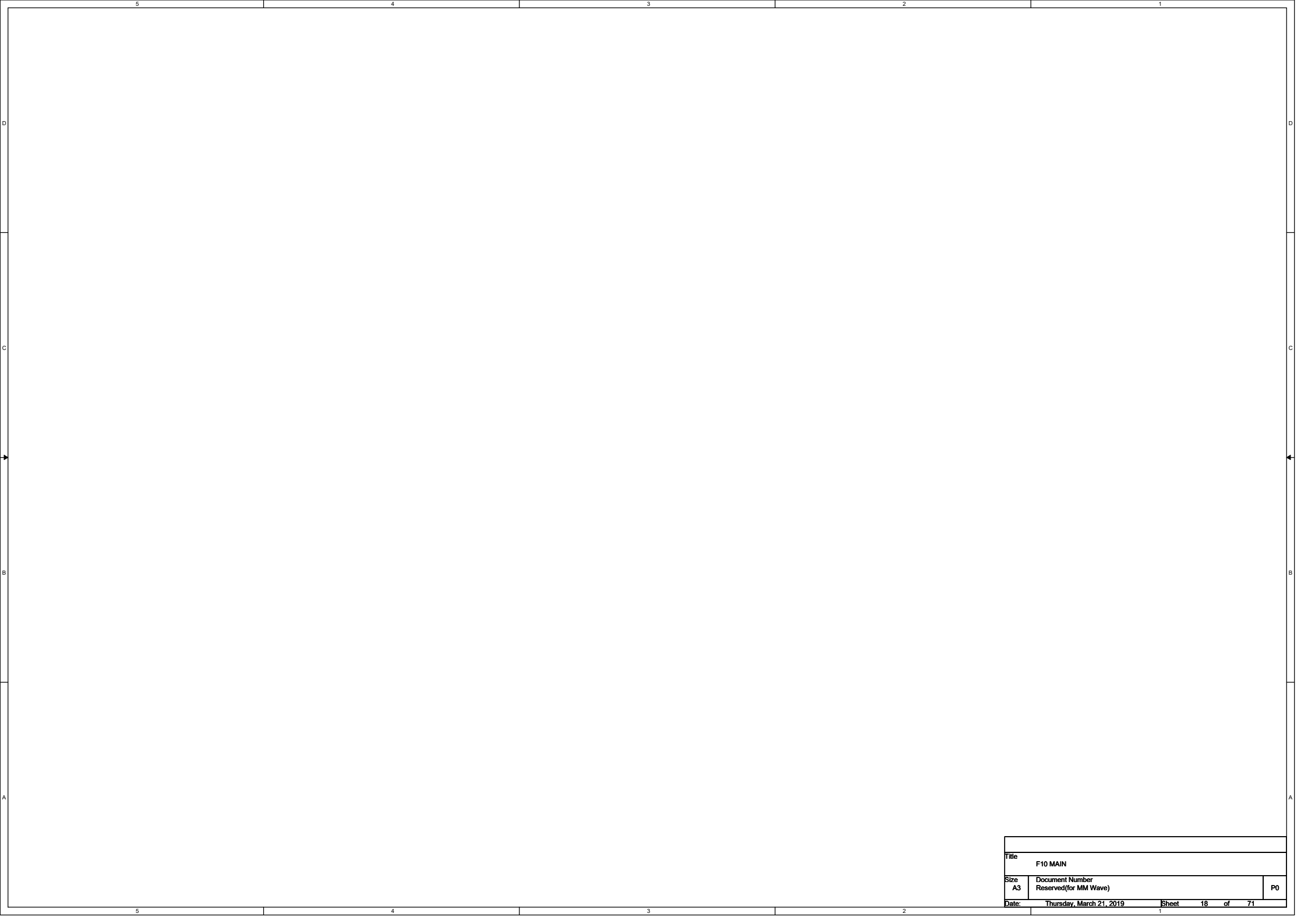
5

4

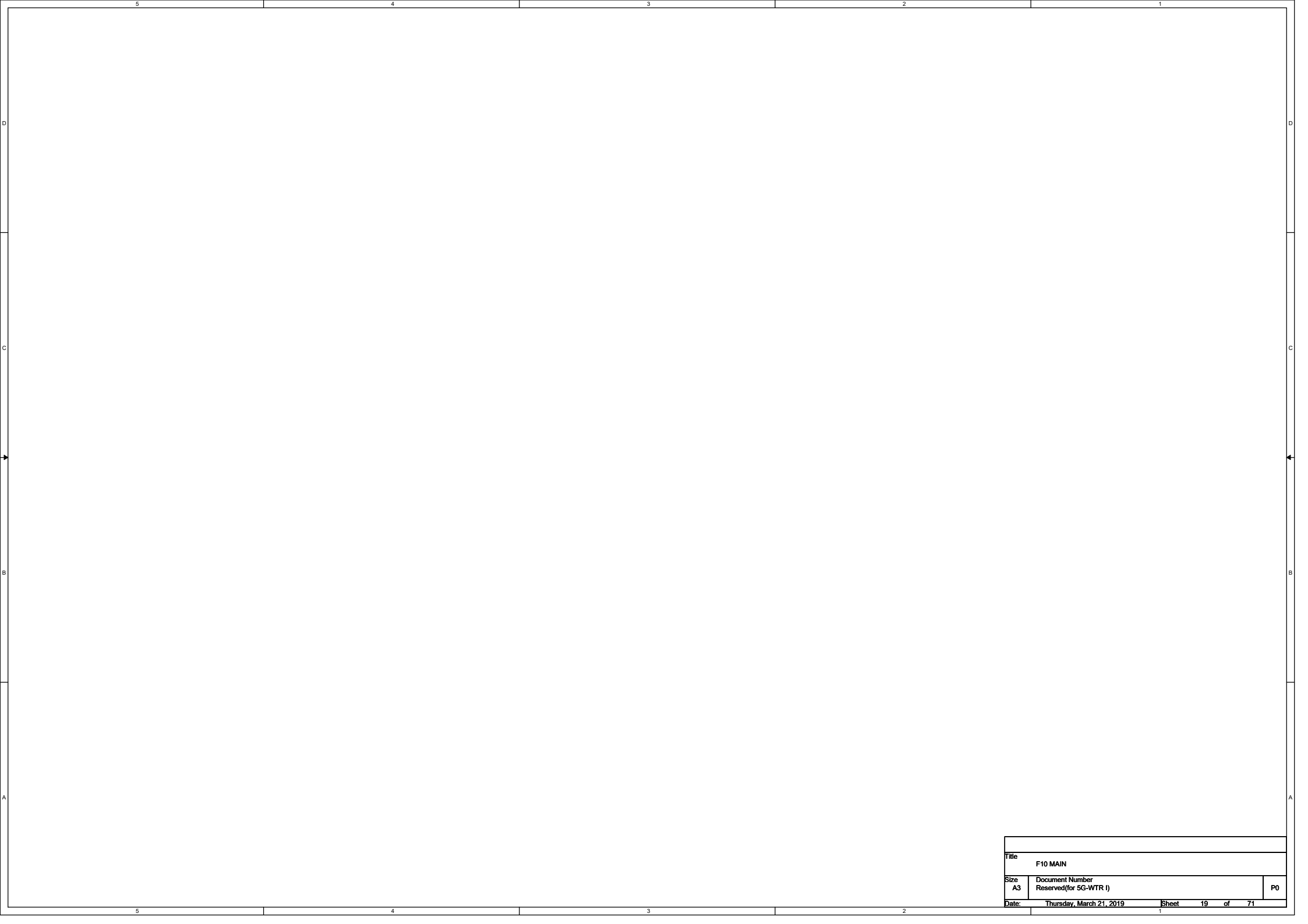
3

2

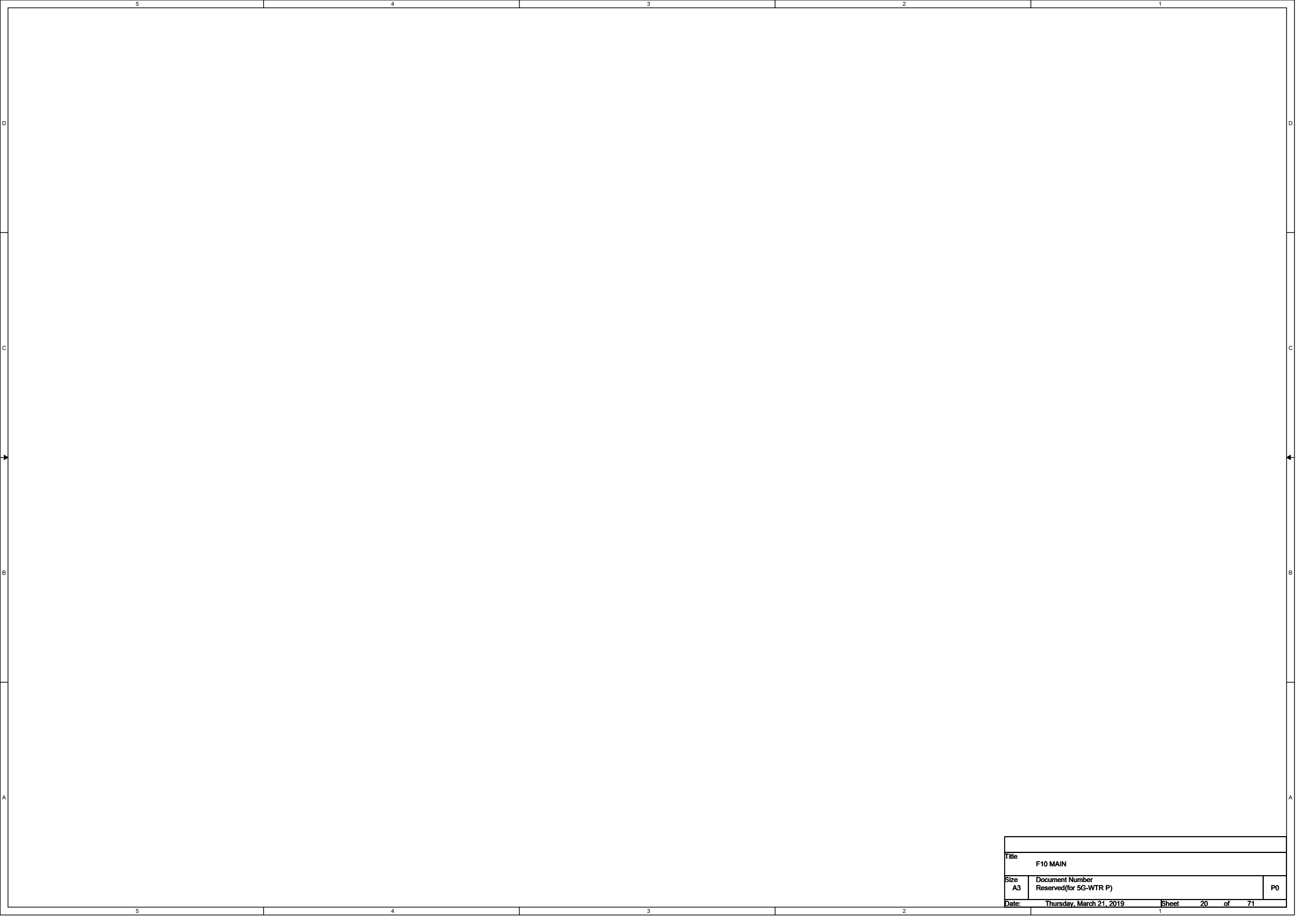
1



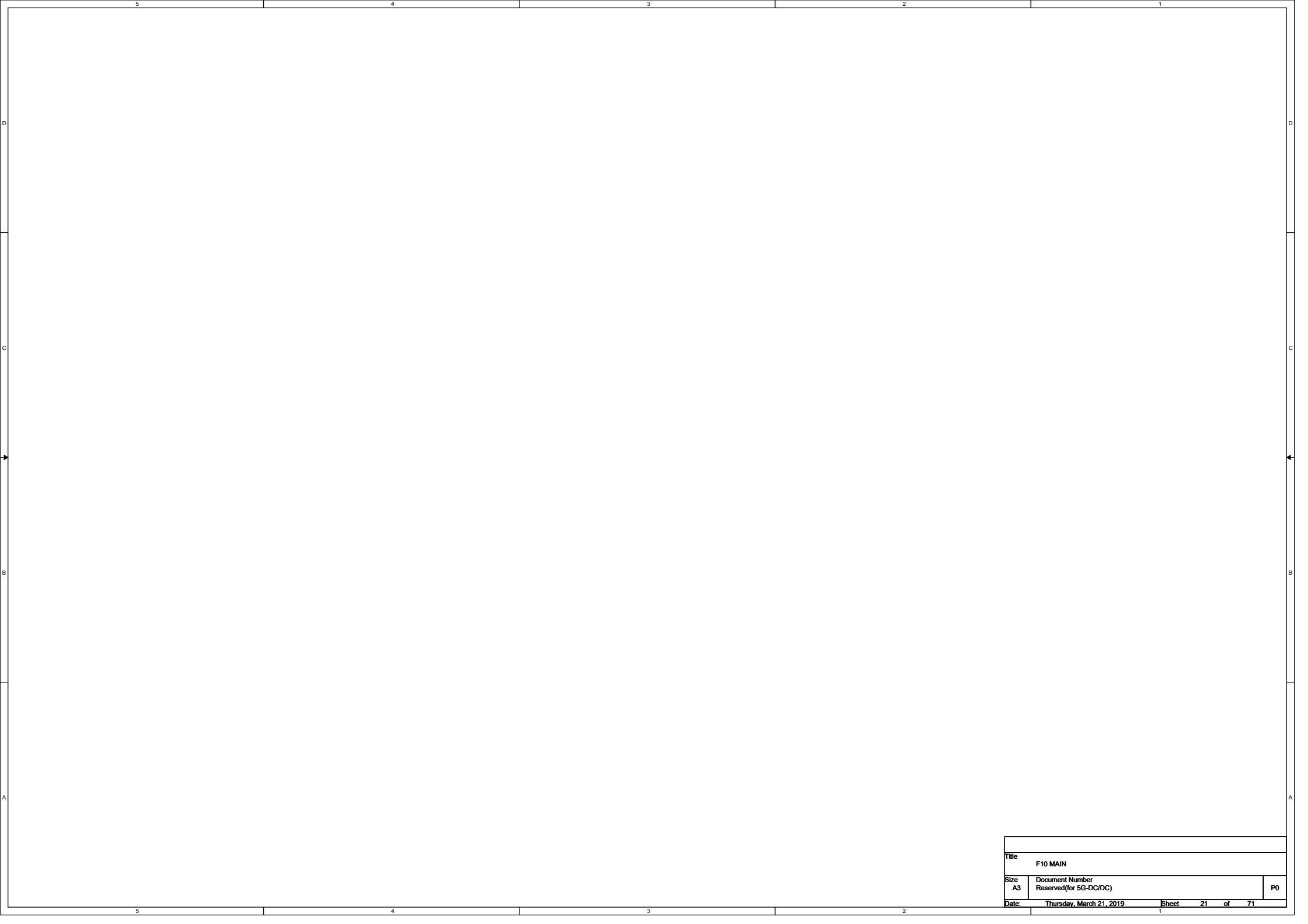
Title		
F10 MAIN		
Size	Document Number	P0
A3	Reserved(for MM Wave)	
Date:	Thursday, March 21, 2019	Sheet 18 of 71



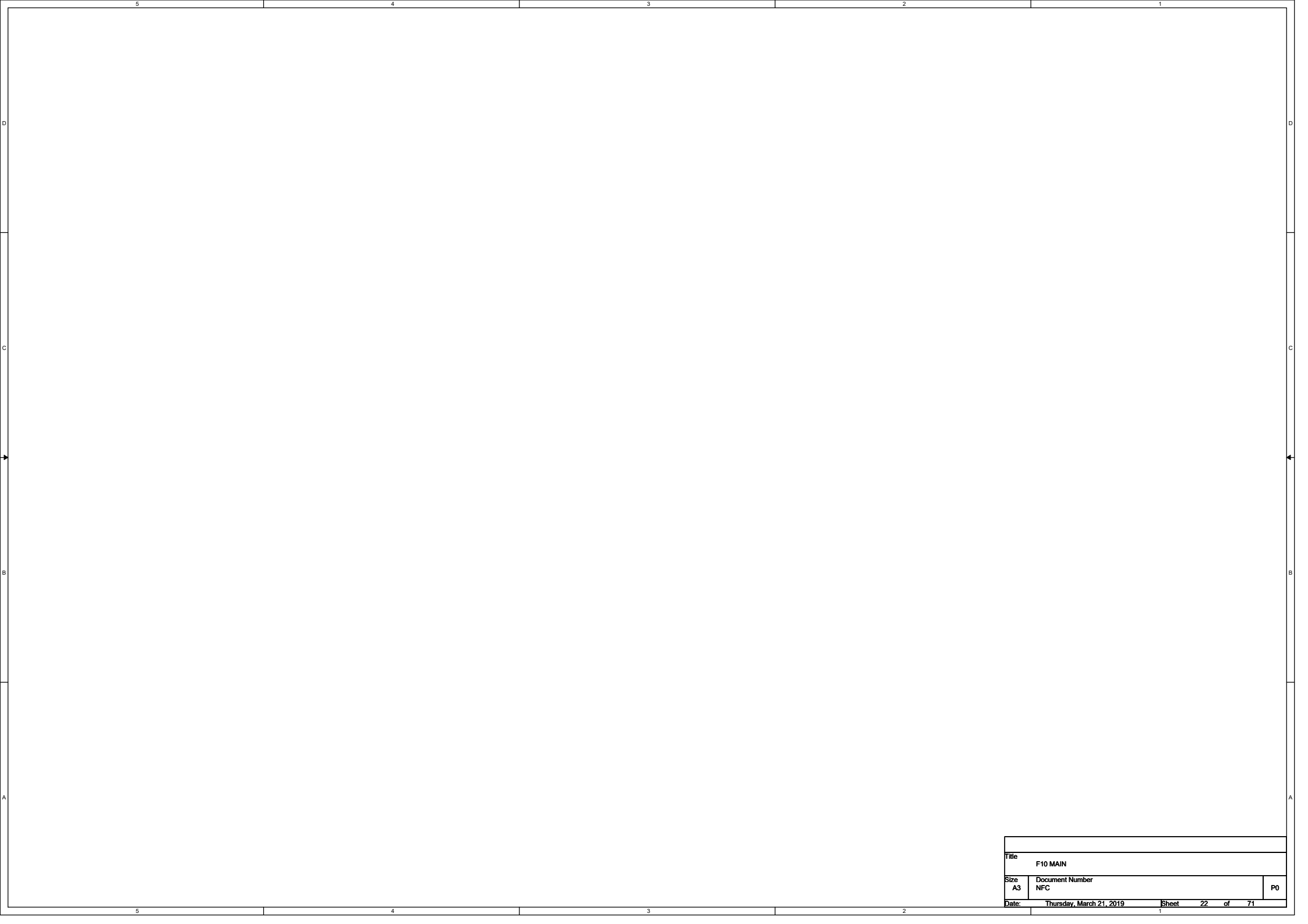
Title	
F10 MAIN	
Size	Document Number
A3	Reserved(for 5G-WTR I)
Date:	Thursday, March 21, 2019
Sheet	19 of 71
P0	



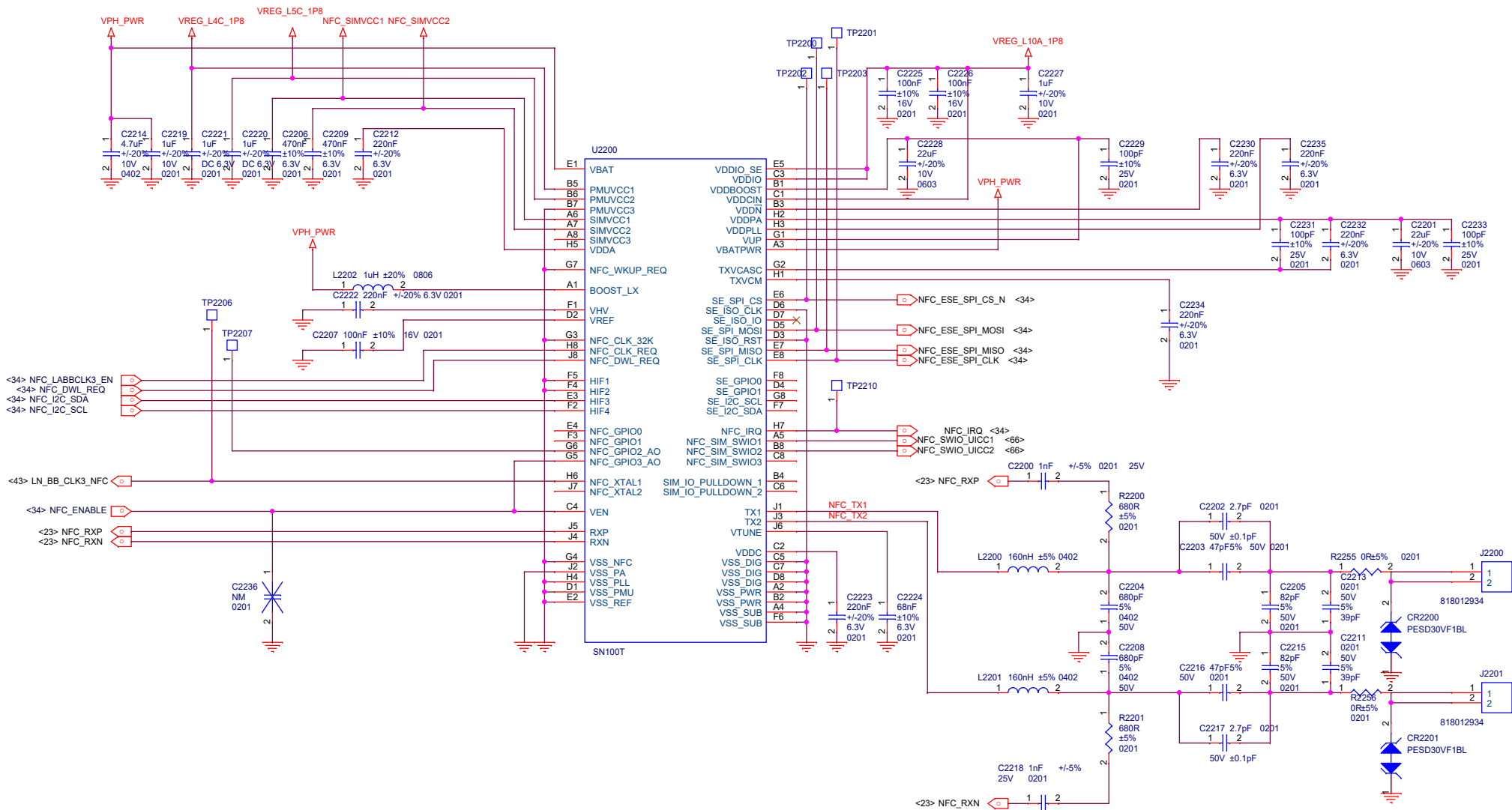
Title	
F10 MAIN	
Size	Document Number
A3	Reserved(for 5G-WTR P)
Date:	Thursday, March 21, 2019
Sheet	20 of 71
P0	



Title		
F10 MAIN		
Size	Document Number	P0
A3	Reserved(for 5G-DC/DC)	
Date:	Thursday, March 21, 2019	Sheet 21 of 71



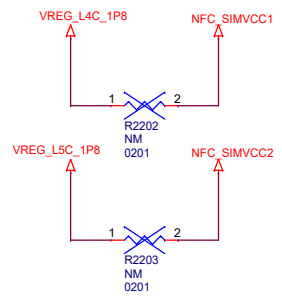
Title		
F10 MAIN		
Size	Document Number	P0
A3	NFC	
Date:	Thursday, March 21, 2019	Sheet 22 of 71



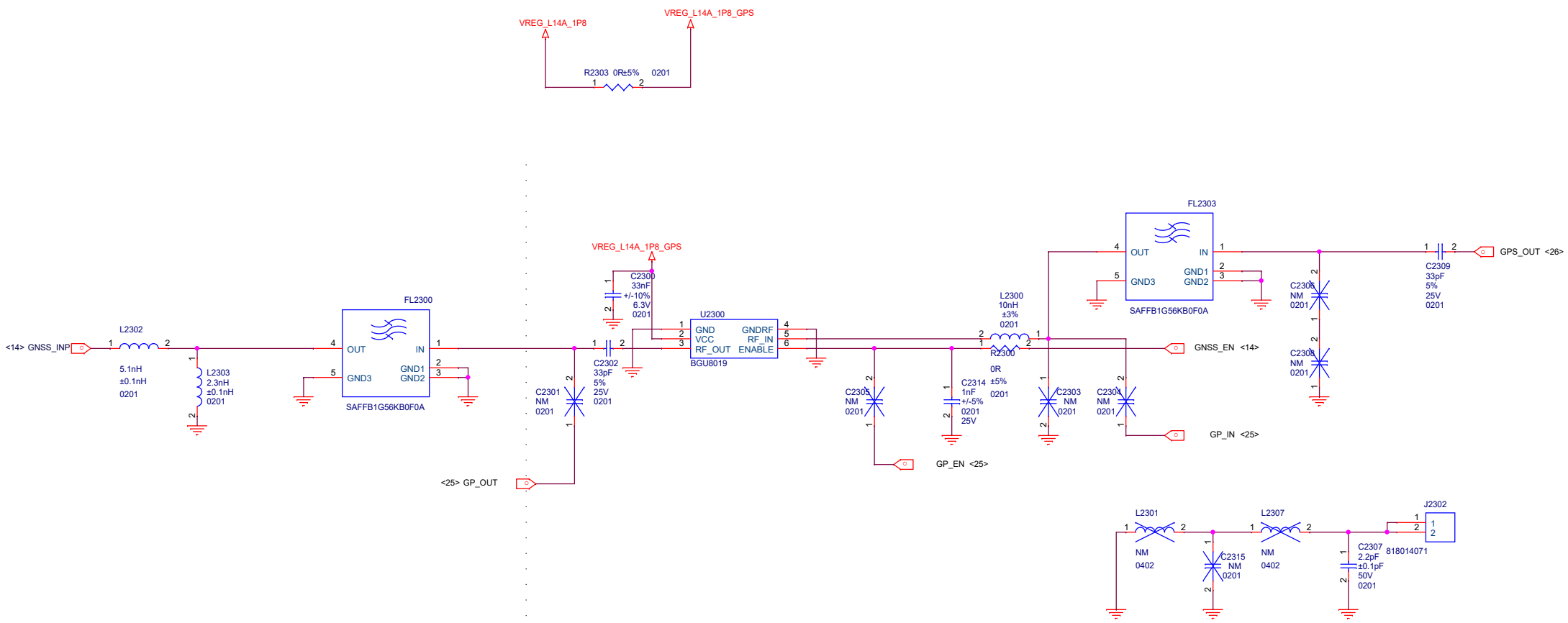
- <34> NFC_LARBCLK3_EN
- <34> NFC_DWL_REQ
- <34> NFC_I2C_SDA
- <34> NFC_I2C_SCL
- <43> LN_BB_CLK3_NFC
- <34> NFC_ENABLE
- <23> NFC_RXP
- <23> NFC_RXN

- <34> NFC_ESE_SPI_CS_N
- <34> NFC_ESE_SPI_MOSI
- <34> NFC_ESE_SPI_MISO
- <34> NFC_ESE_SPI_CLK
- <23> NFC_RXP
- <23> NFC_RXN

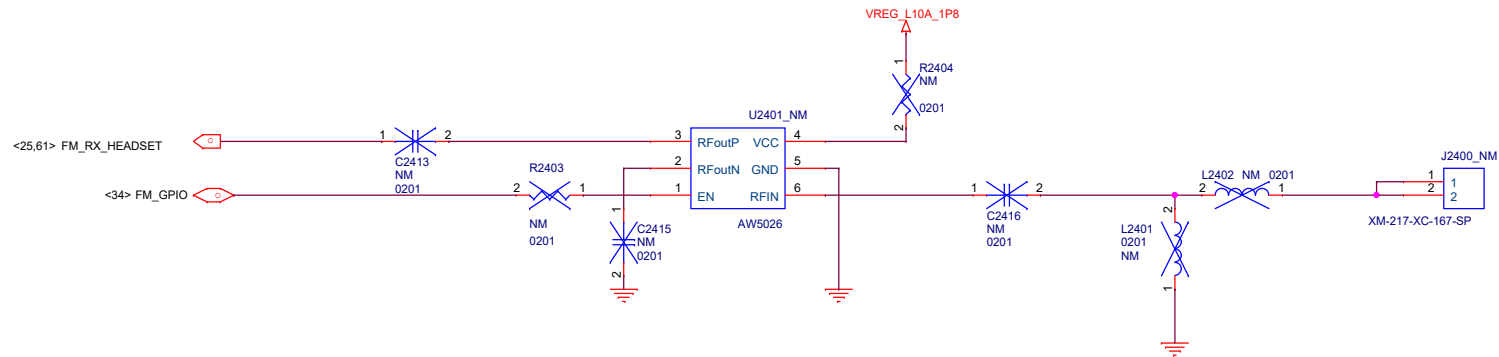
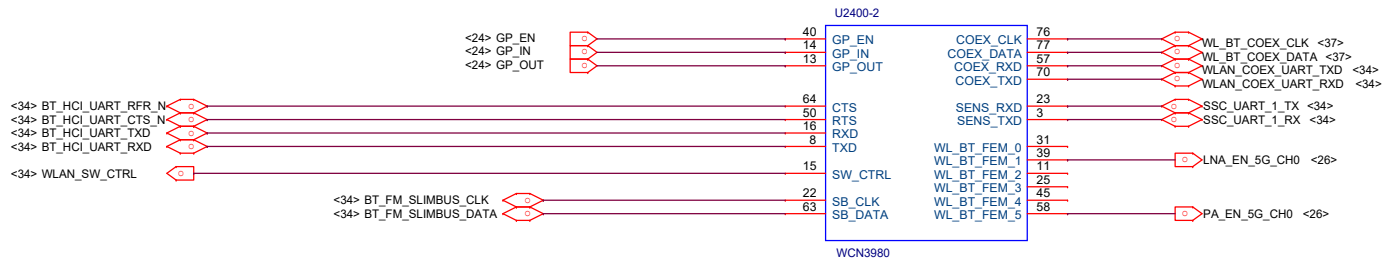
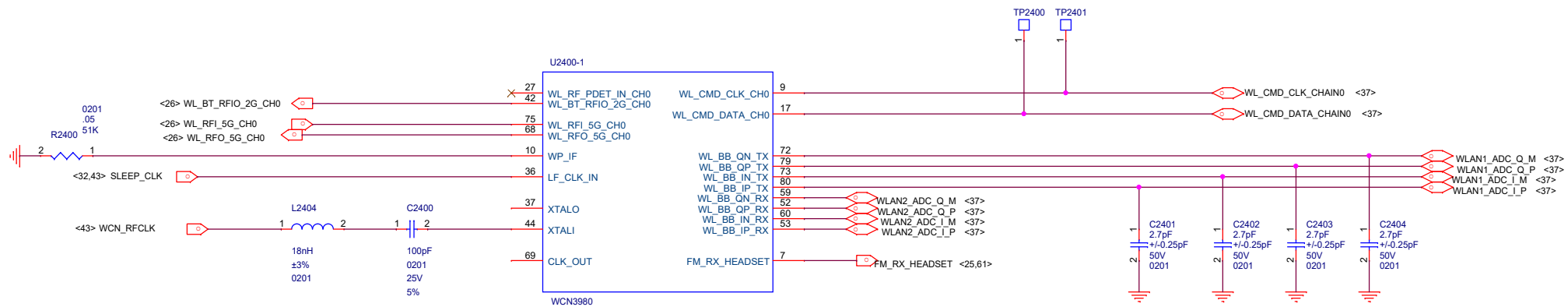
- NFC_IRQ <34>
- NFC_SWIO_UICC1 <66>
- NFC_SWIO_UICC2 <66>



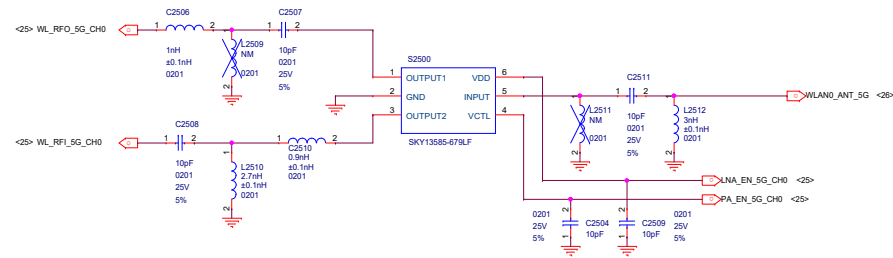
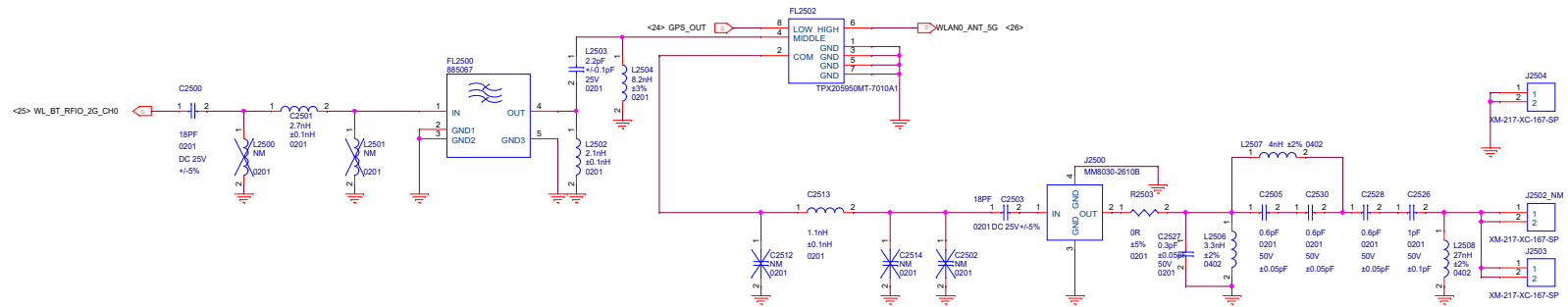
Title		F1 MAIN	
Size	A3	Document Number	Reserved(for PA)
Date:	Wednesday, April 10, 2019	Sheet	23 of 71



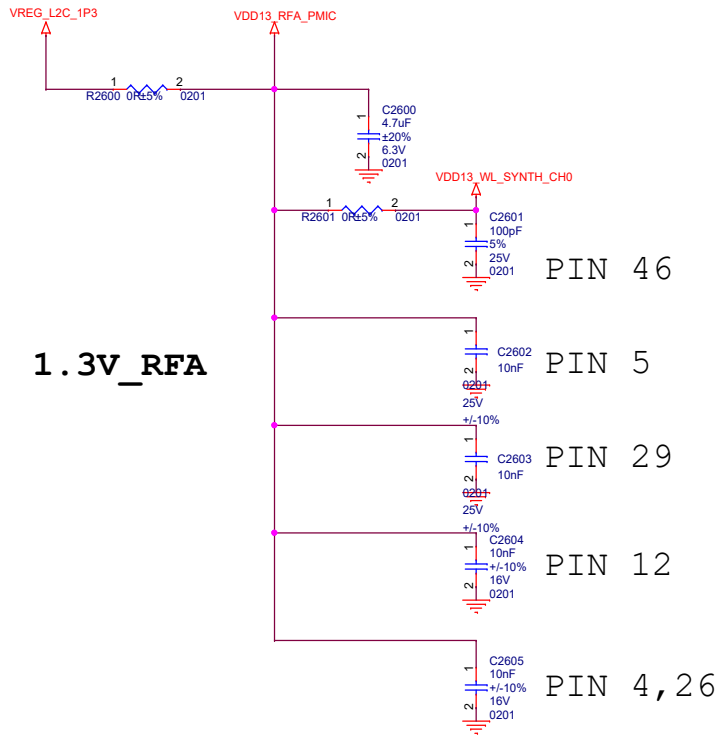
Title		F10 MAIN
Size	Document Number	P0
A3	GPS	
Date:	Thursday, March 21, 2019	Sheet 24 of 71



Title		F10 MAIN
Size	Document Number	WiFi Interface
A3		
Date:	Thursday, April 11, 2019	Sheet 25 of 71
		P0



Title		F10 MAIN	
Size	A2	Document Number	WIFI FEM
Date	Tuesday, April 09, 2019	Sheet	26 of 71



1.3V_RFA

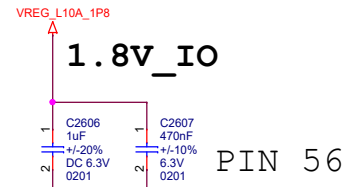
PIN 46

PIN 5

PIN 29

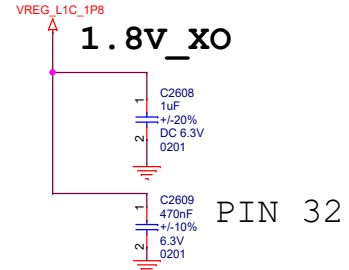
PIN 12

PIN 4,26



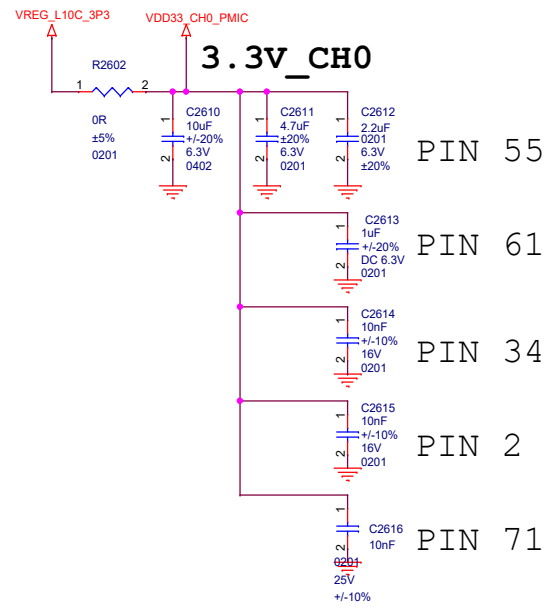
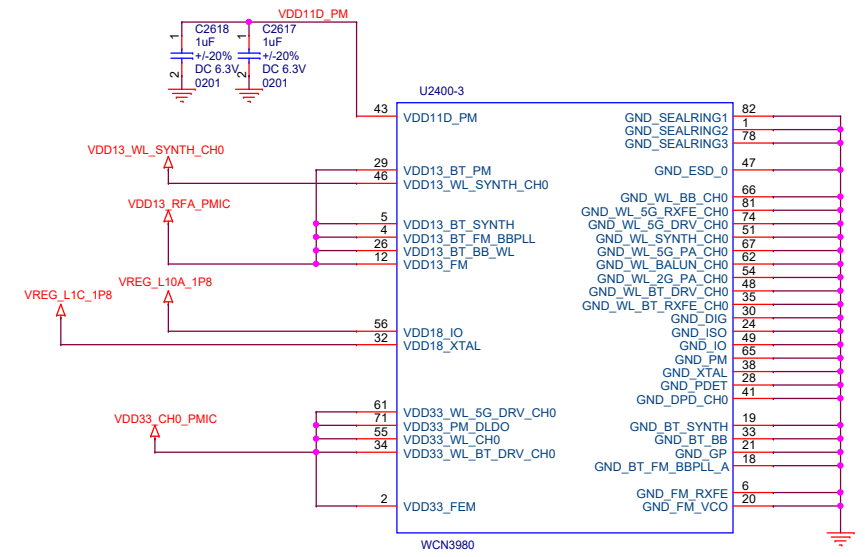
1.8V_IO

PIN 56



1.8V_XO

PIN 32



3.3V_CH0

PIN 55

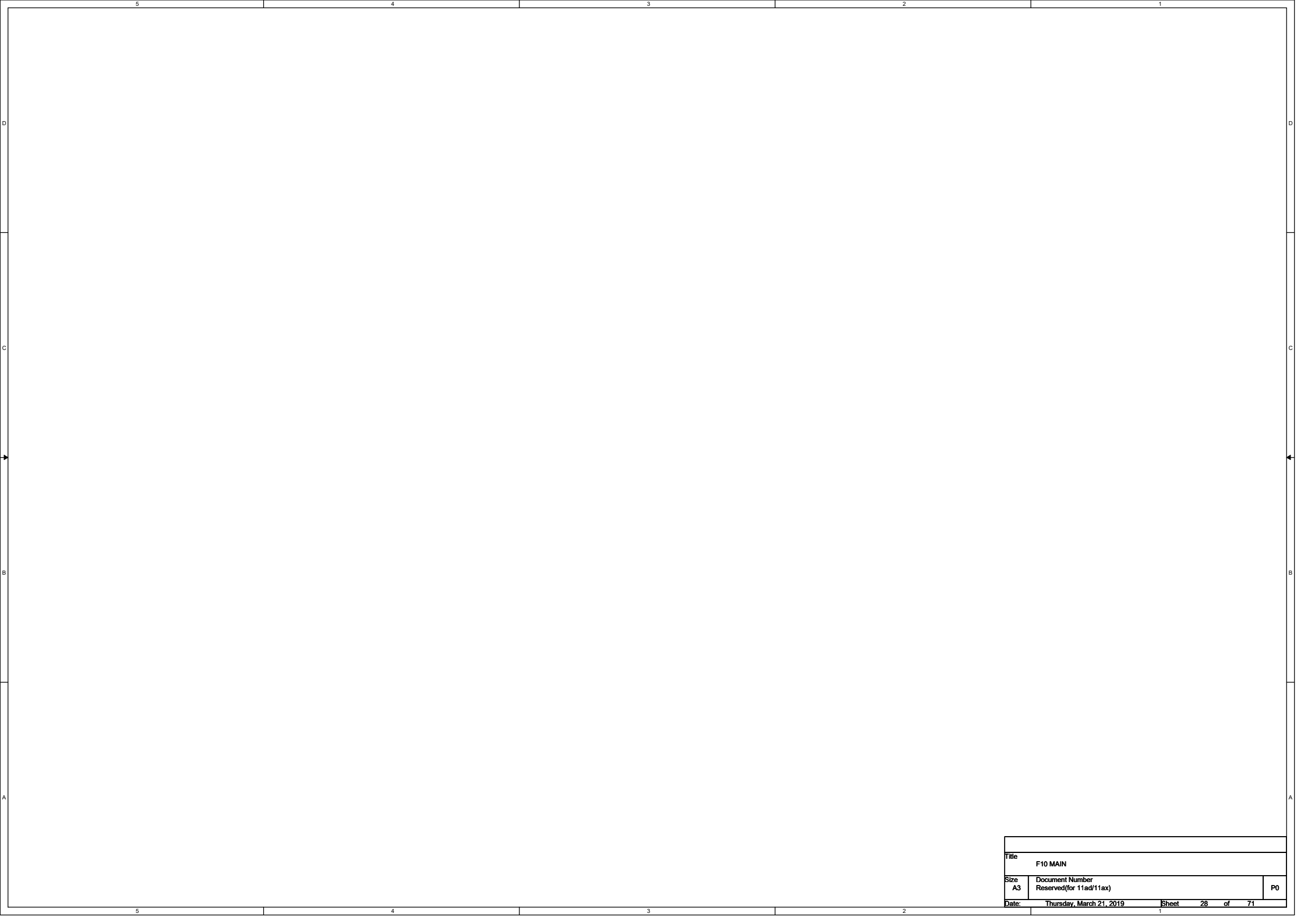
PIN 61

PIN 34

PIN 2

PIN 71

Title		F10 MAIN
Size	Document Number	WIFI Decoupling
A3		P0
Date:	Thursday, March 21, 2019	Sheet 27 of 71



5

4

3

2

1

D

D

C

C

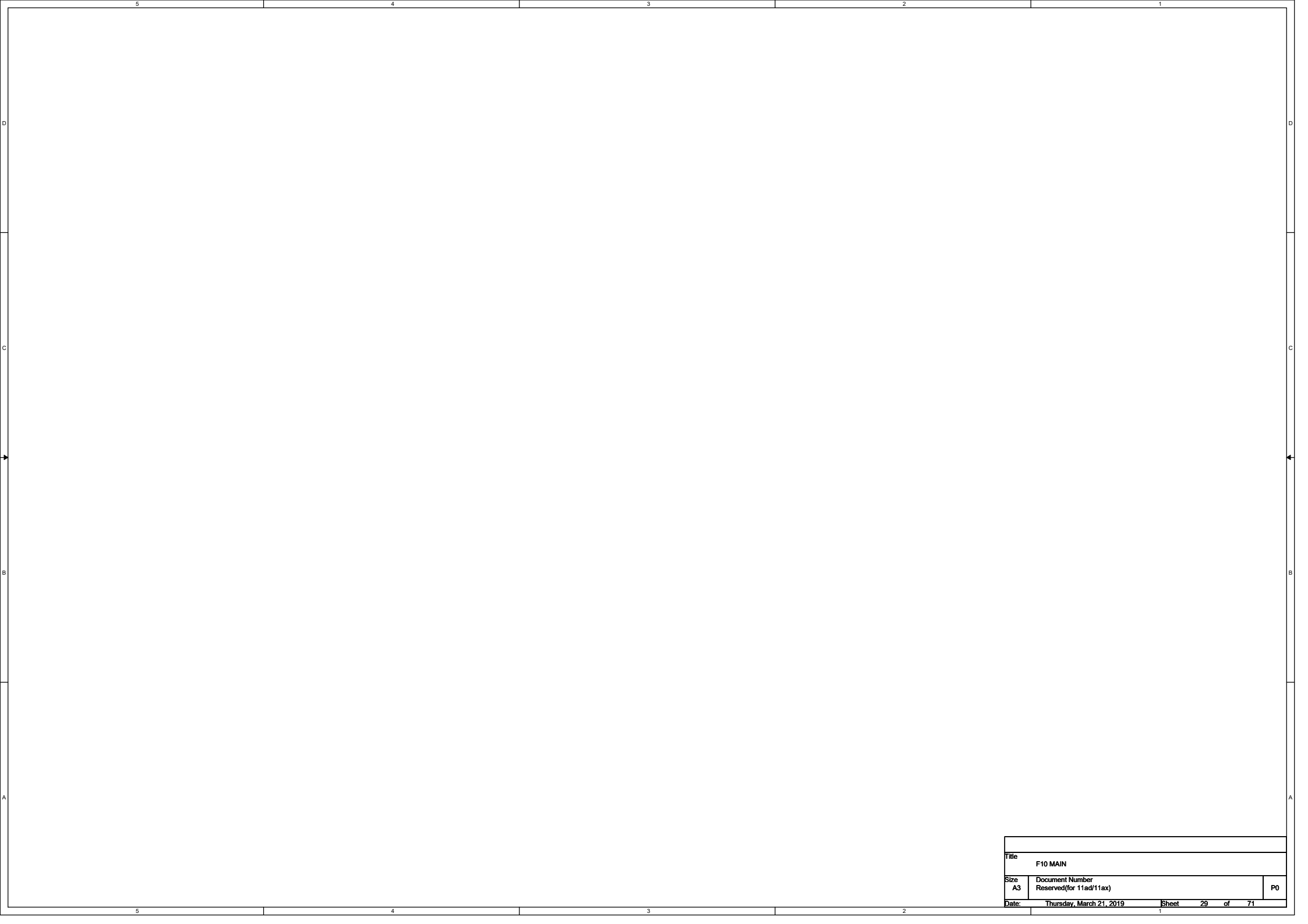
B

B

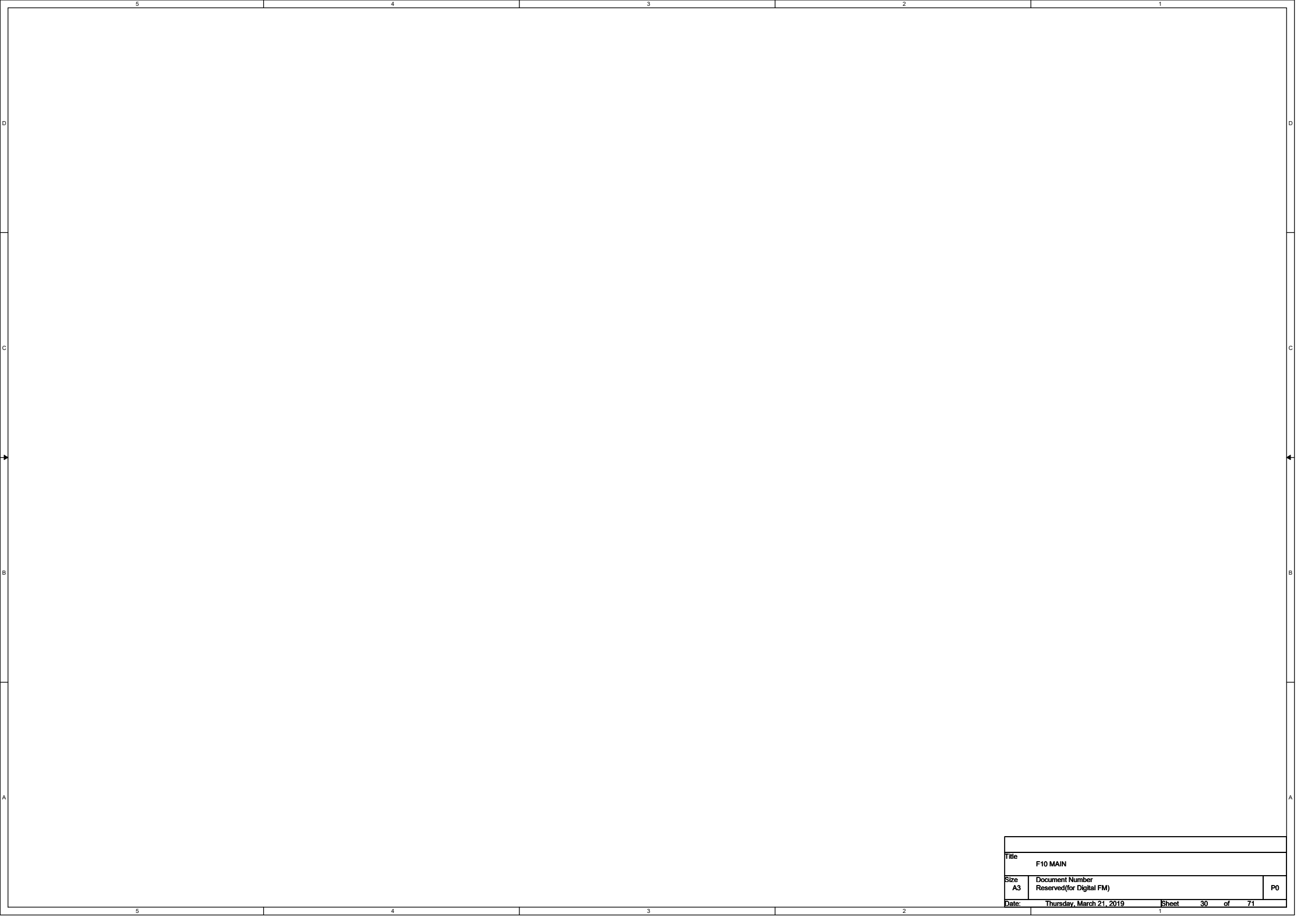
A

A

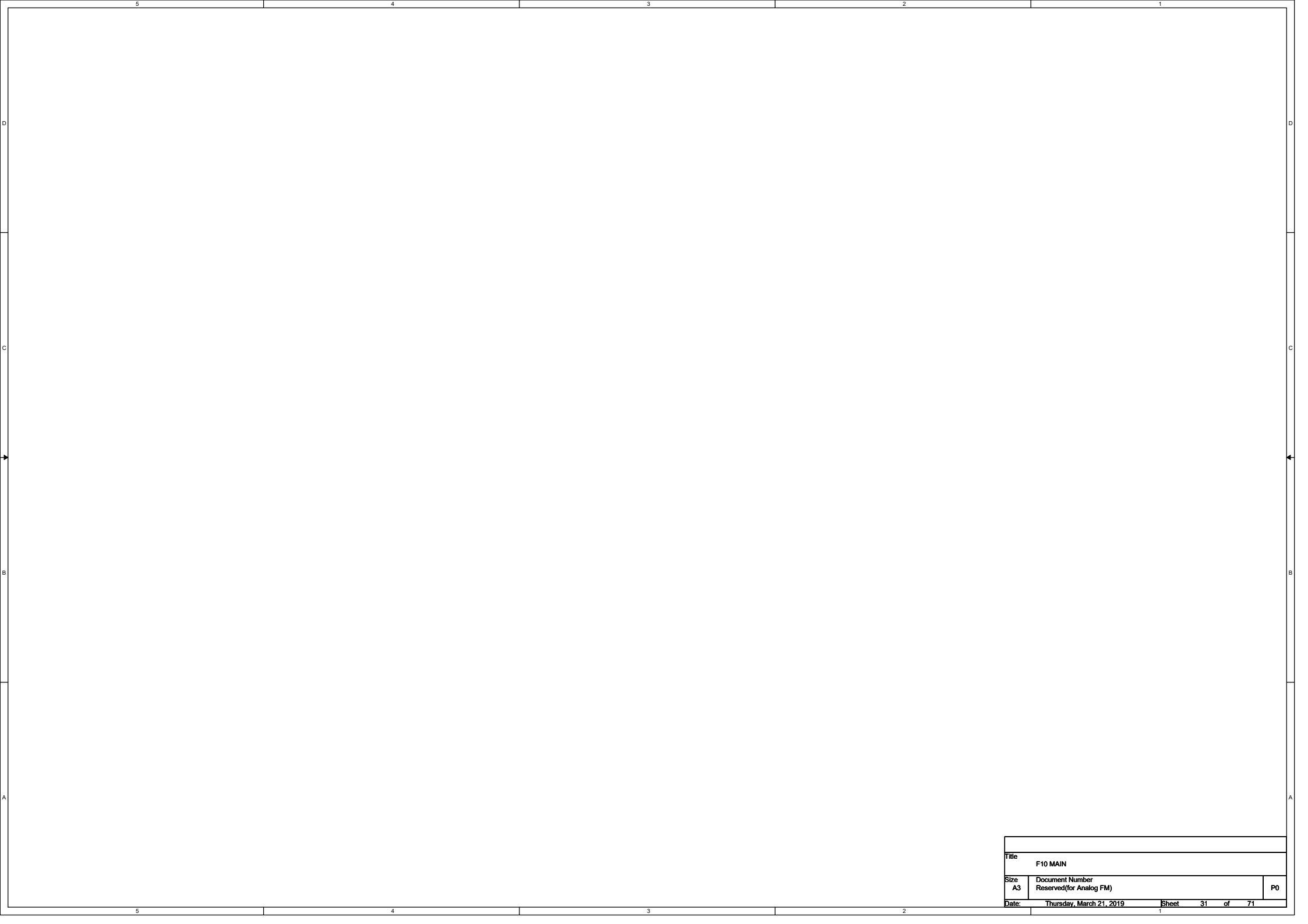
Title		
F10 MAIN		
Size	Document Number	P0
A3	Reserved(for 11ad/11ax)	
Date:	Thursday, March 21, 2019	Sheet 28 of 71



Title		
F10 MAIN		
Size	Document Number	P0
A3	Reserved(for 11ad/11ax)	
Date:	Thursday, March 21, 2019	Sheet 29 of 71



Title		F10 MAIN	
Size	A3	Document Number	Reserved (for Digital FM)
Date:	Thursday, March 21, 2019	Sheet	30 of 71
			P0



5

4

3

2

1

D

D

C

C

B

B

A

A

Title		
F10 MAIN		
Size	Document Number	P0
A3	Reserved(for Analog FM)	
Date:	Thursday, March 21, 2019	Sheet 31 of 71

5

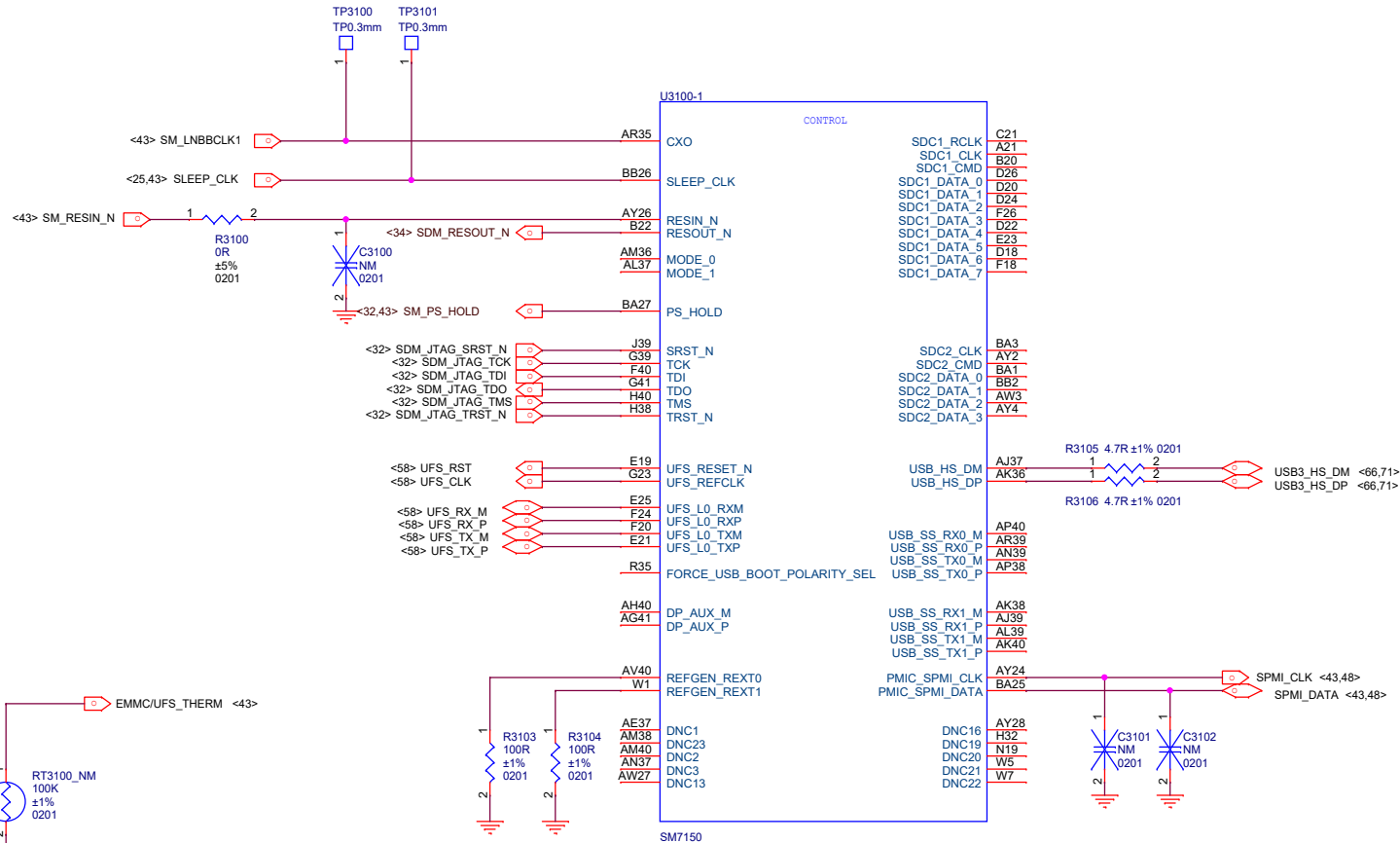
4

3

2

1

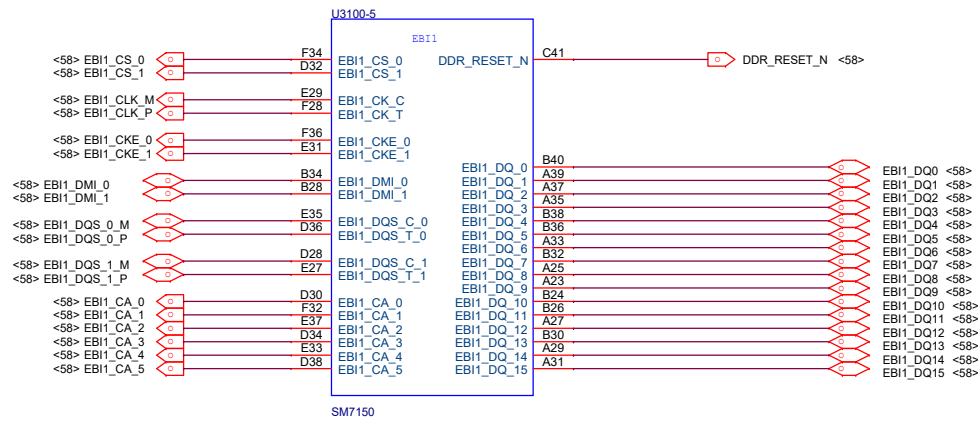
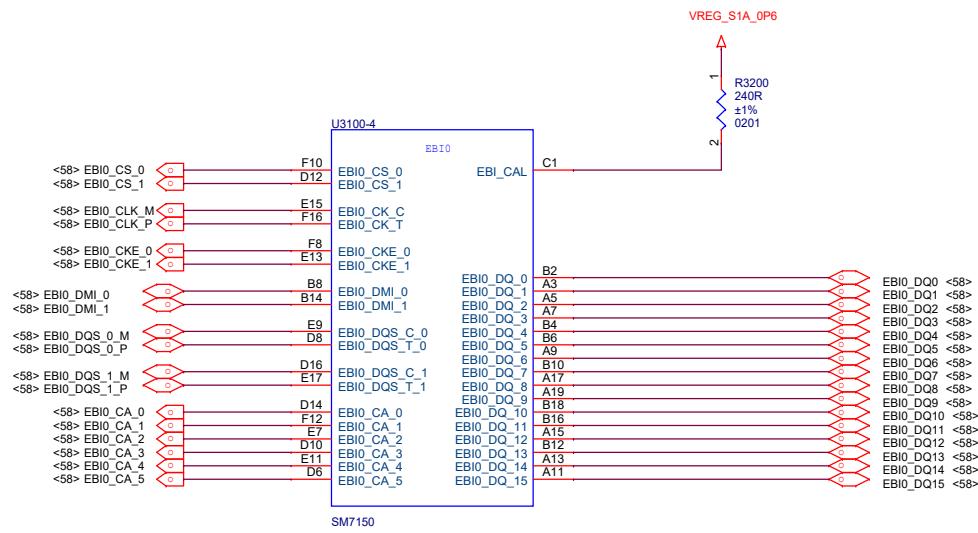
MODE	Operation
00	NATIVE
01	TIC
10	ATEST
11	TEST

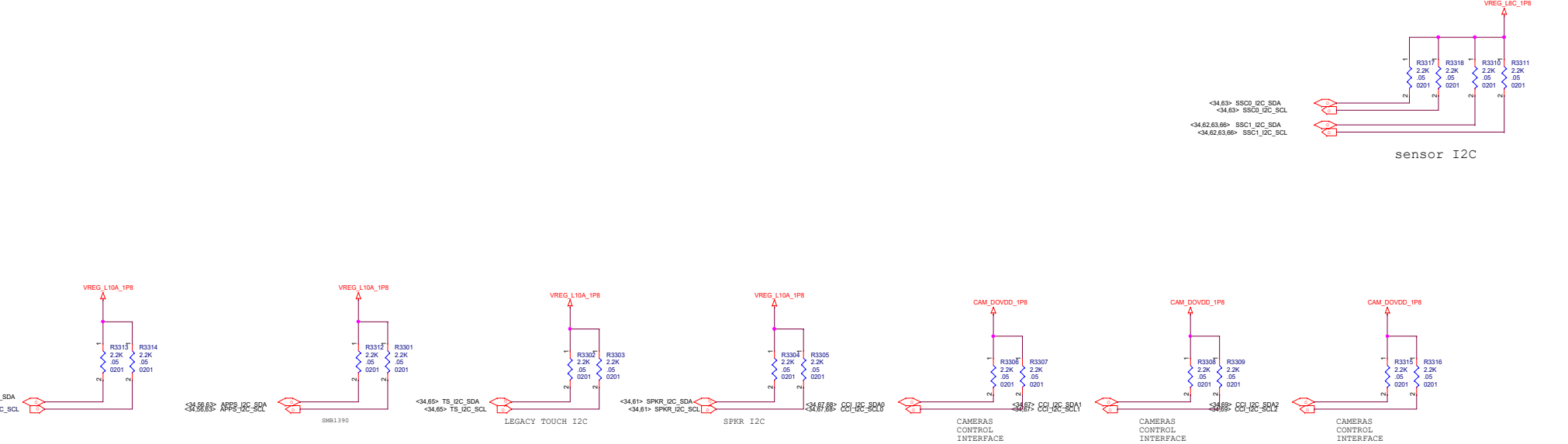
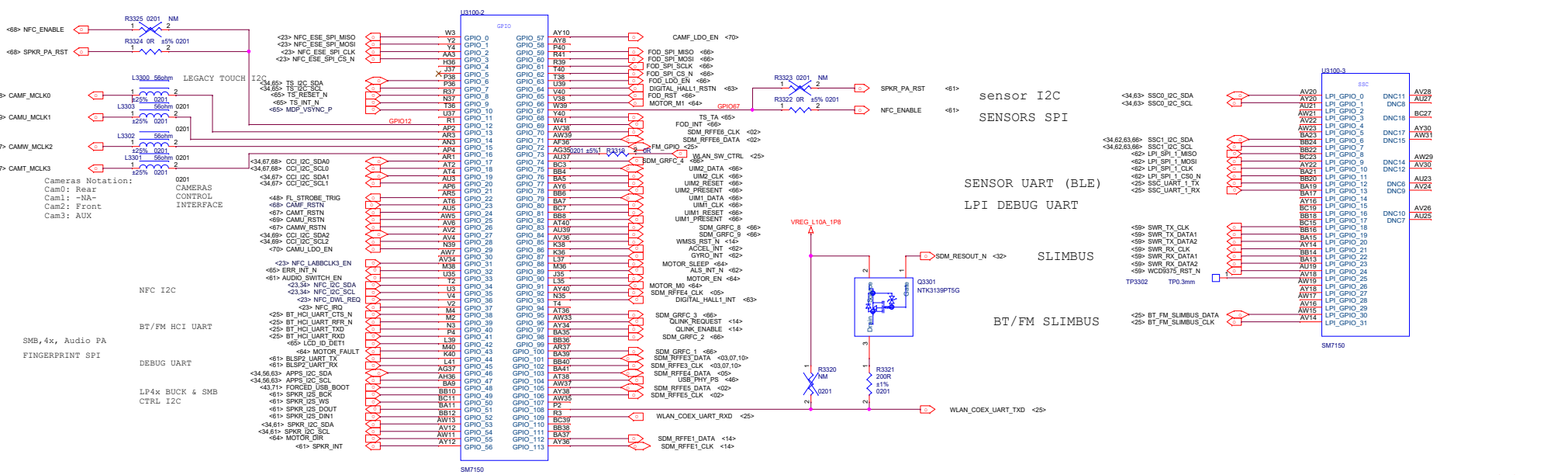


PLACE CLOSE TO EMMC/UFS

<32> SDM_JTAG_TDI	1	TP3102	TP0.3mm
<32> SDM_JTAG_TMS	1	TP3103	TP0.3mm
<32> SDM_JTAG_TDO	1	TP3104	TP0.3mm
<32,43> SM_PS_HOLD	1	TP3105	TP0.3mm
<32> SDM_JTAG_TCK	1	TP3106	TP0.3mm
<32> SDM_JTAG_TDO	1	TP3107	TP0.3mm
<32> SDM_JTAG_SRST_N	1	TP3108	TP0.3mm
<32> SDM_JTAG_TRST_N	1	TP3108	TP0.3mm

Title		F10 MAIN
Size	A3	Document Number
Date:	Thursday, March 21, 2019	SDM855 Control
Sheet	32	of 71
P0		





REAR CAMERA
IMX586 48M

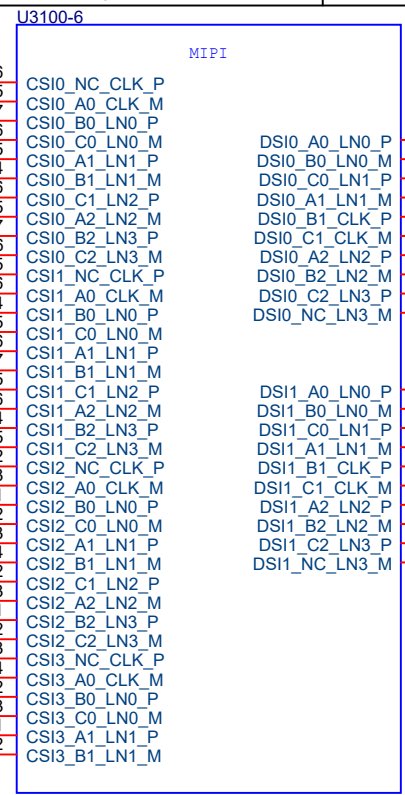
FRONT CAMERA
S5K3T1SP 20M
ULTRA WIDE CAMERA
3P9 16M

REAR CAMERA TELE
3m5 13M

REAR CAMERA TELE
8M

- <67> MIPI_WIDE_CLK_P
- <67> MIPI_WIDE_CLK_M
- <67> MIPI_WIDE_LANE0_P
- <67> MIPI_WIDE_LANE0_M
- <67> MIPI_WIDE_LANE1_P
- <67> MIPI_WIDE_LANE1_M
- <67> MIPI_WIDE_LANE2_P
- <67> MIPI_WIDE_LANE2_M
- <67> MIPI_WIDE_LANE3_P
- <67> MIPI_WIDE_LANE3_M
- <68> MIPI_CS1_CLK_P
- <68> MIPI_CS1_CLK_M
- <68> MIPI_CS1_LANE0_P
- <68> MIPI_CS1_LANE0_M
- <68> MIPI_CS1_LANE1_P
- <68> MIPI_CS1_LANE1_M
- <68> MIPI_CS1_LANE2_P
- <68> MIPI_CS1_LANE2_M
- <68> MIPI_CS1_LANE3_P
- <68> MIPI_CS1_LANE3_M
- <69> MIPI_ULTRA_CLK_P
- <69> MIPI_ULTRA_CLK_M
- <69> MIPI_ULTRA_LANE0_P
- <69> MIPI_ULTRA_LANE0_M
- <69> MIPI_ULTRA_LANE1_P
- <69> MIPI_ULTRA_LANE1_M
- <69> MIPI_ULTRA_LANE2_P
- <69> MIPI_ULTRA_LANE2_M
- <69> MIPI_ULTRA_LANE3_P
- <69> MIPI_ULTRA_LANE3_M
- <67> MIPI_CS3_CLK_P
- <67> MIPI_CS3_CLK_M
- <67> MIPI_CS3_LANE0_P
- <67> MIPI_CS3_LANE0_M
- <67> MIPI_CS3_LANE1_P
- <67> MIPI_CS3_LANE1_M

- AF6 CS10_NC_CLK_P
- AE5 CS10_A0_CLK_M
- AE7 CS10_B0_LN0_P
- AD6 CS10_B0_LN0_M
- AC5 CS10_A1_LN1_P
- AB4 CS10_B1_LN1_M
- AB6 CS10_C1_LN2_P
- AA5 CS10_A2_LN2_M
- AA7 CS10_B2_LN3_P
- Y6 CS10_C2_LN3_M
- AG5 CS11_NC_CLK_P
- AH6 CS11_A0_CLK_M
- AH4 CS11_B0_LN0_P
- AJ5 CS11_C0_LN0_M
- AK6 CS11_A1_LN1_P
- AL7 CS11_B1_LN1_M
- AL5 CS11_C1_LN2_P
- AM6 CS11_A2_LN2_M
- AM4 CS11_B2_LN3_P
- AN5 CS11_C2_LN3_M
- AF2 CS12_NC_CLK_P
- AG3 CS12_A0_CLK_M
- AG1 CS12_B0_LN0_P
- AH2 CS12_C0_LN0_M
- AK4 CS12_A1_LN1_P
- AK2 CS12_B1_LN1_M
- AL3 CS12_C1_LN2_P
- AL1 CS12_A2_LN2_M
- AM2 CS12_B2_LN3_P
- AE3 CS12_C2_LN3_M
- AD4 CS13_NC_CLK_P
- AD2 CS13_A0_CLK_M
- AC3 CS13_B0_LN0_P
- AC1 CS13_C0_LN0_M
- AB2 CS13_A1_LN1_P
- AB2 CS13_B1_LN1_M

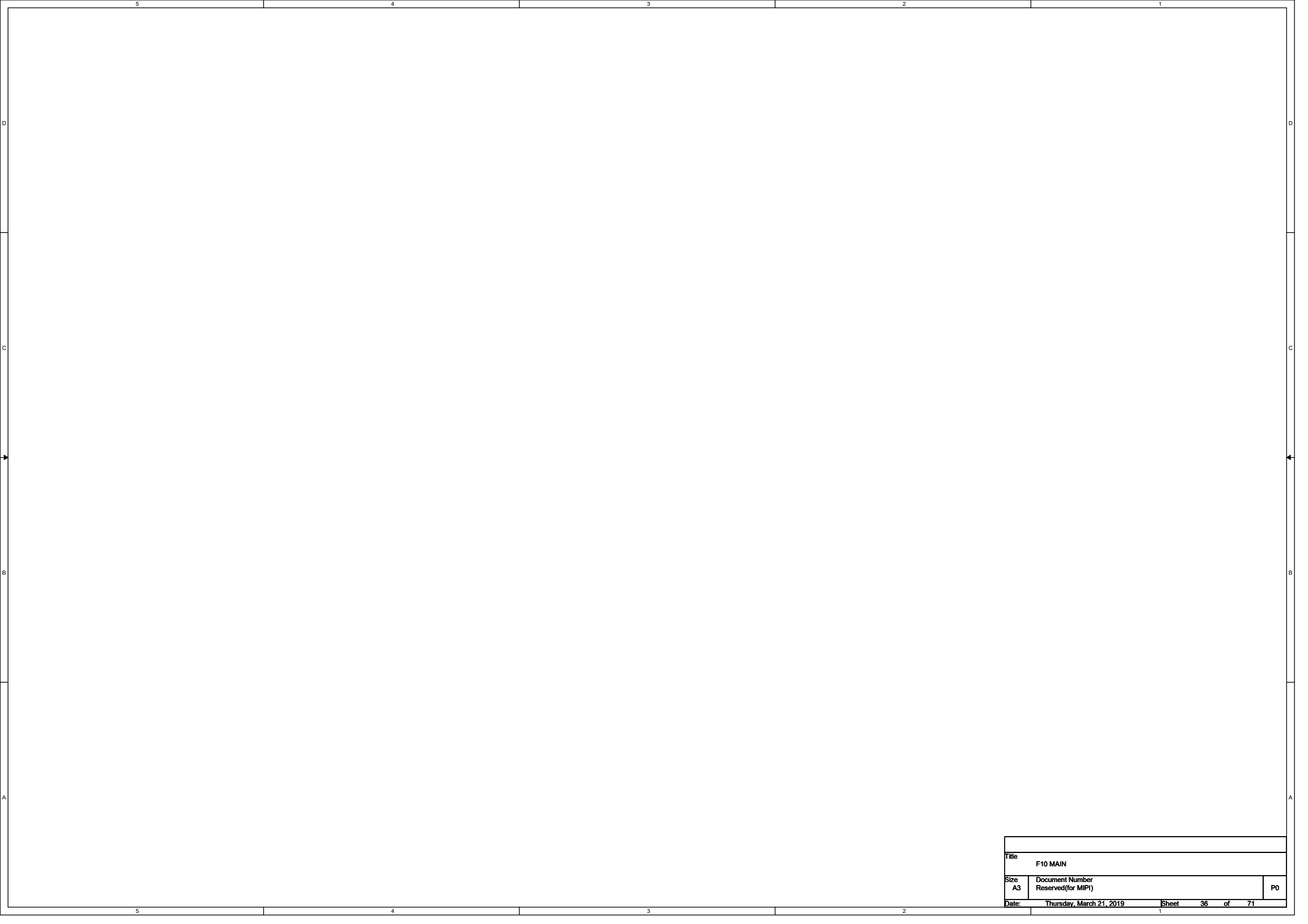


- DS10_A0_LN0_P AD36
- DS10_B0_LN0_M AC37
- DS10_C0_LN1_P AC35
- DS10_A1_LN1_M AB36
- DS10_B1_CLK_P AA37
- DS10_C1_CLK_M Y38
- DS10_A2_LN2_P Y36
- DS10_B2_LN2_M W37
- DS10_C2_LN3_P W35
- DS10_NC_LN3_M V36

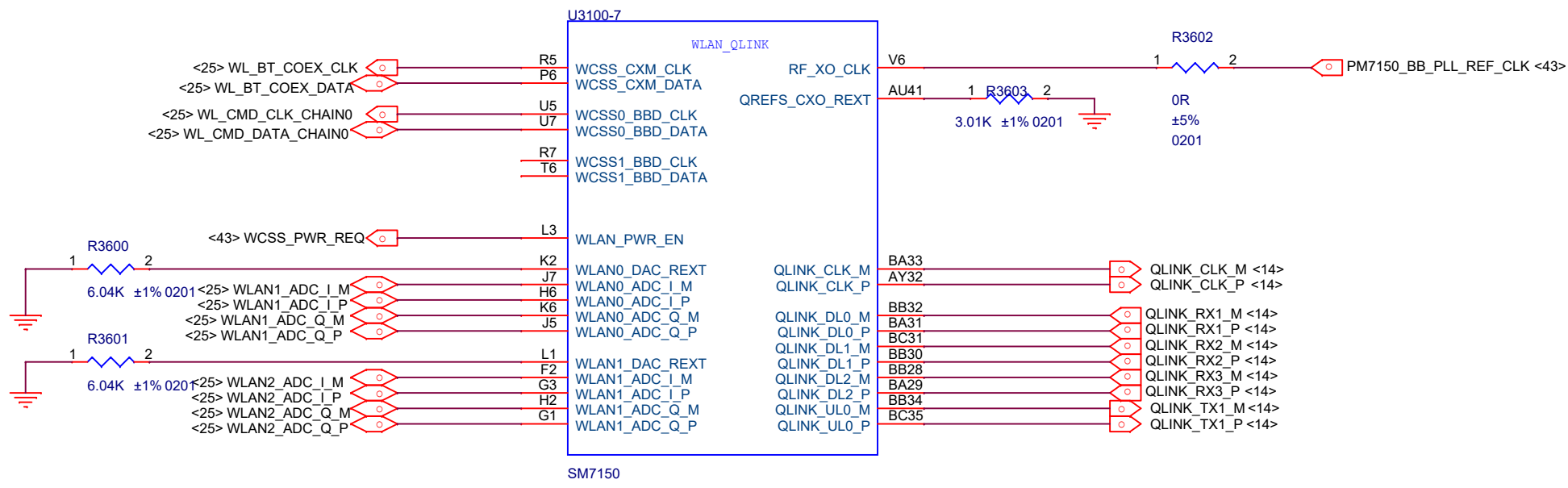
- DS11_A0_LN0_P AG39
- DS11_B0_LN0_M AF40
- DS11_C0_LN1_P AF38
- DS11_A1_LN1_M AE39
- DS11_B1_CLK_P AD40
- DS11_C1_CLK_M AC41
- DS11_A2_LN2_P AC39
- DS11_B2_LN2_M AB40
- DS11_C2_LN3_P AB38
- DS11_NC_LN3_M AA39

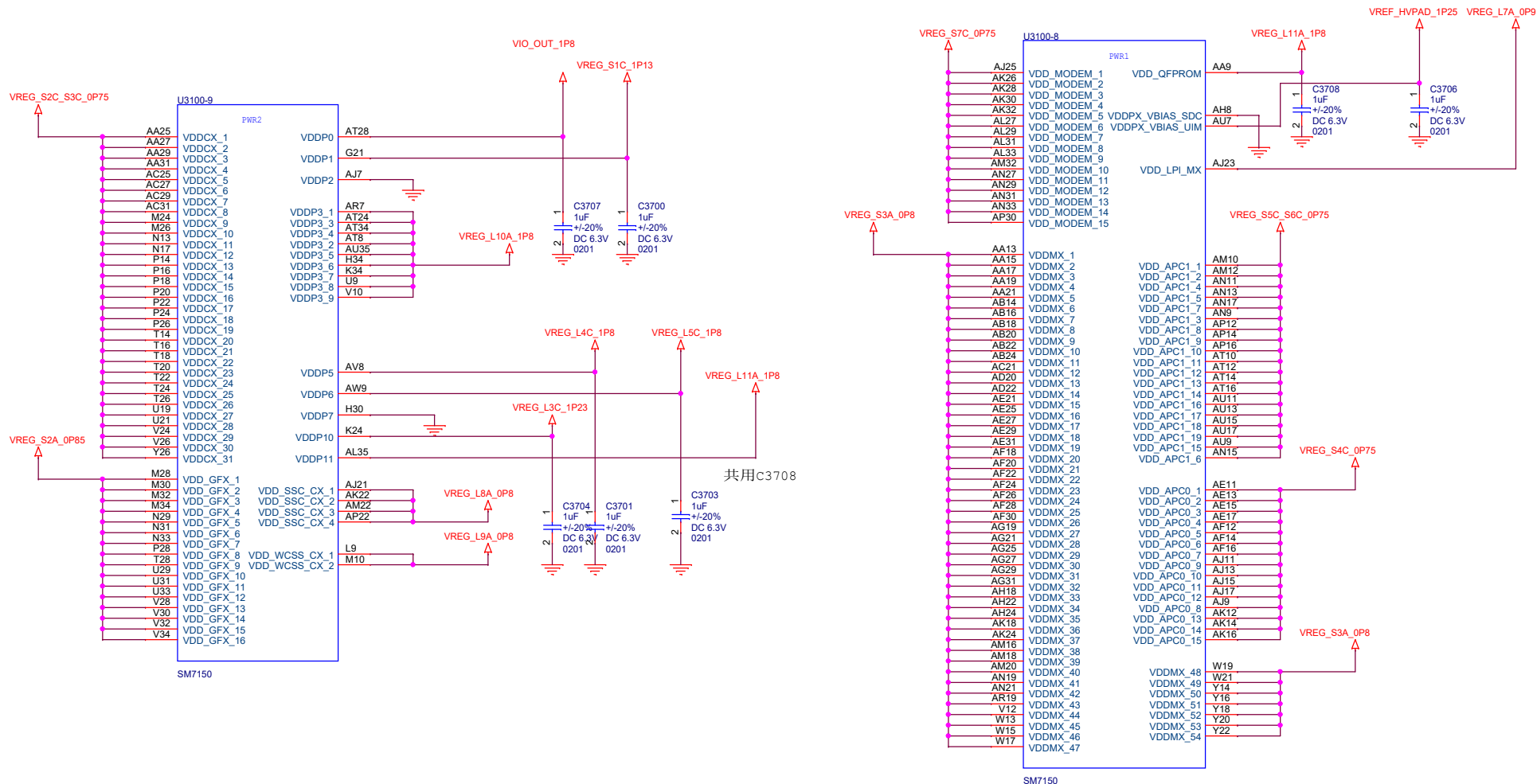
SM7150

FRONT- Ultra SWITCH

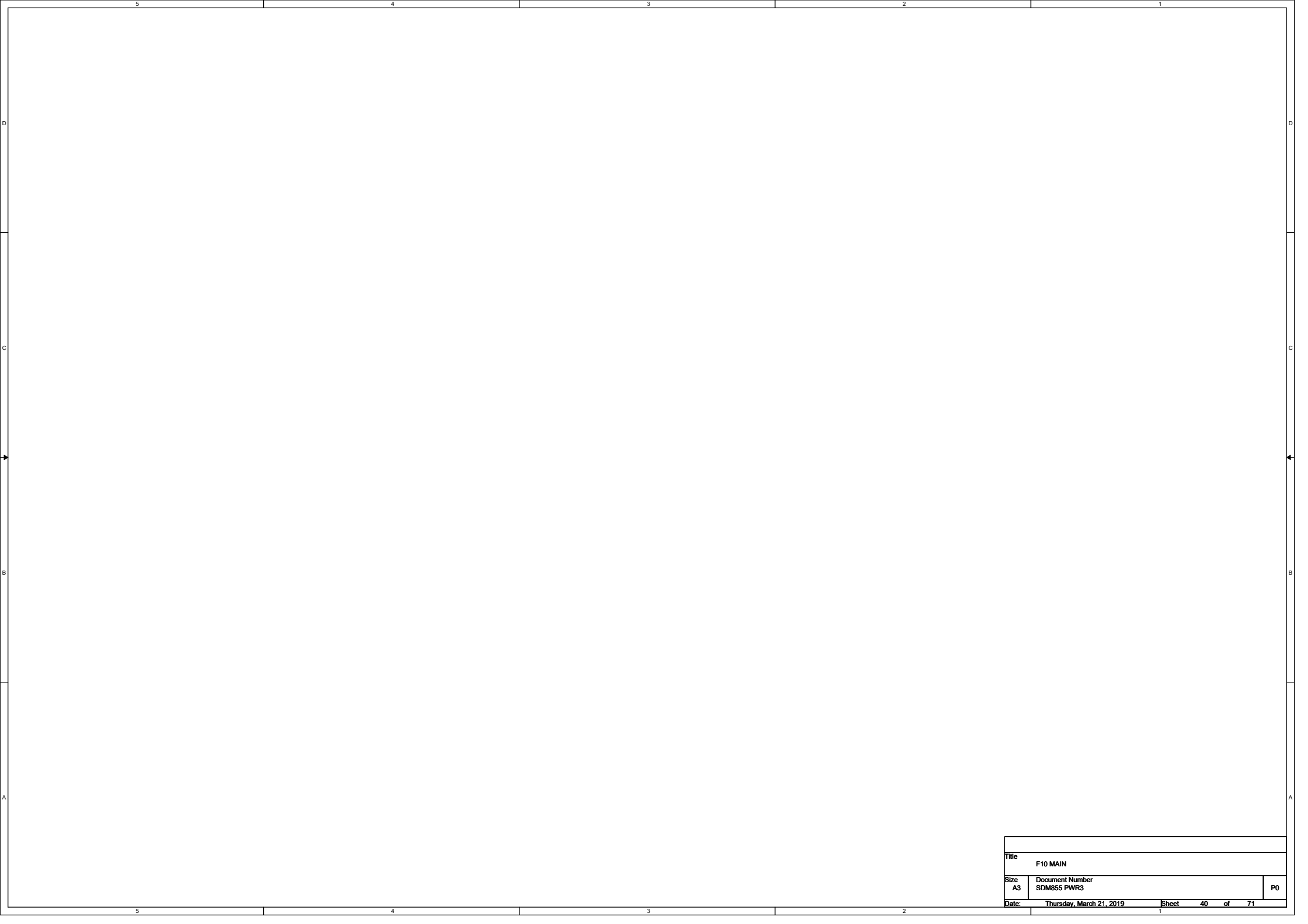


Title		
F10 MAIN		
Size	Document Number	P0
A3	Reserved(for MIP1)	
Date:	Thursday, March 21, 2019	Sheet 36 of 71





Title		F10 MAIN
Size	Document Number	SDM855 PWR1
A3		P0
Date:	Thursday, March 21, 2019	Sheet 38 of 71



Title		
F10 MAIN		
Size	Document Number	P0
A3	SDM855 PWR3	
Date:	Thursday, March 21, 2019	Sheet 40 of 71

5

4

3

2

1

D

D

C


C

B

B

A

A

		
Title		
F10 MAIN		
Size	Document Number	
A4	SDM855 PWR4	
Date:	Thursday, March 21, 2019	Sheet 41 of 71
2		1

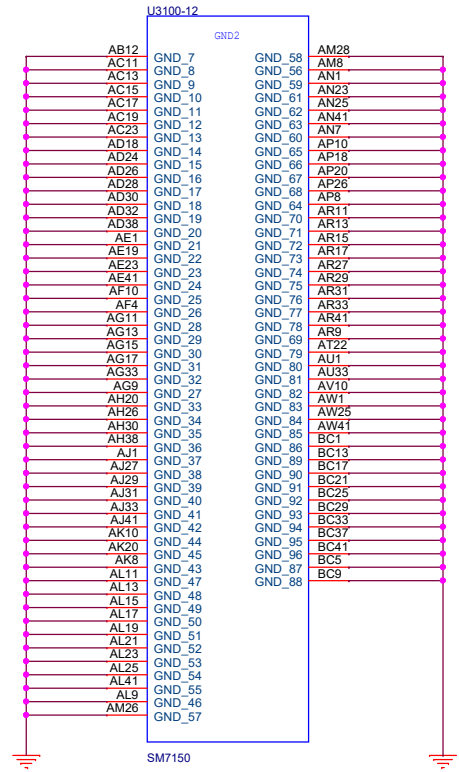
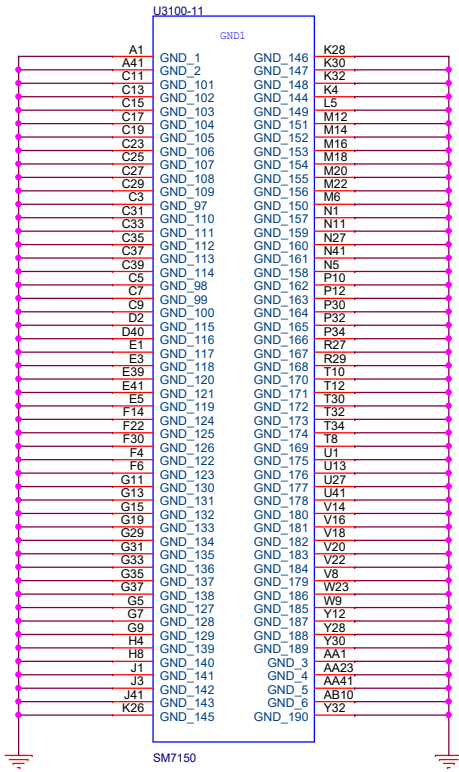
5

4

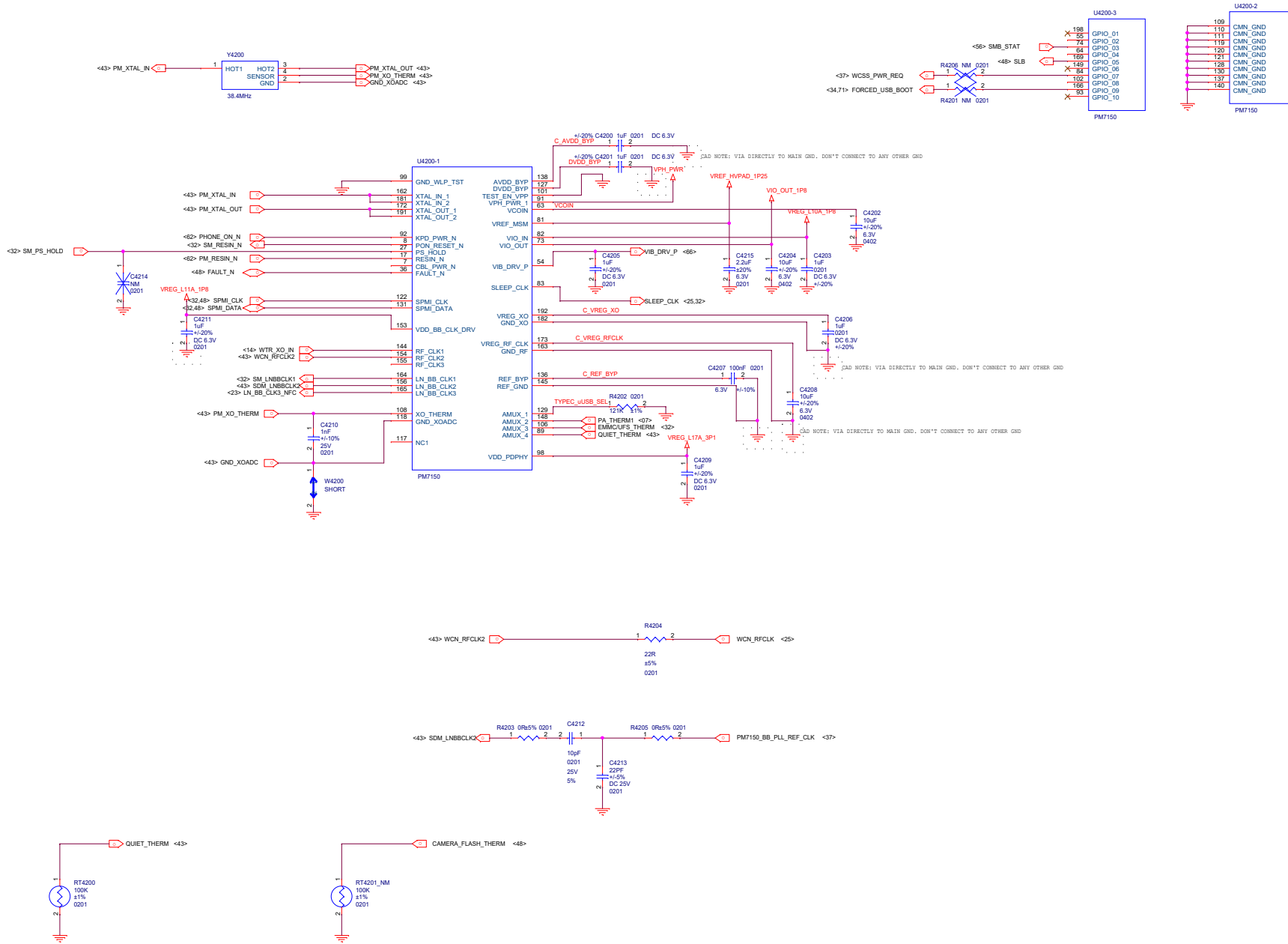
3

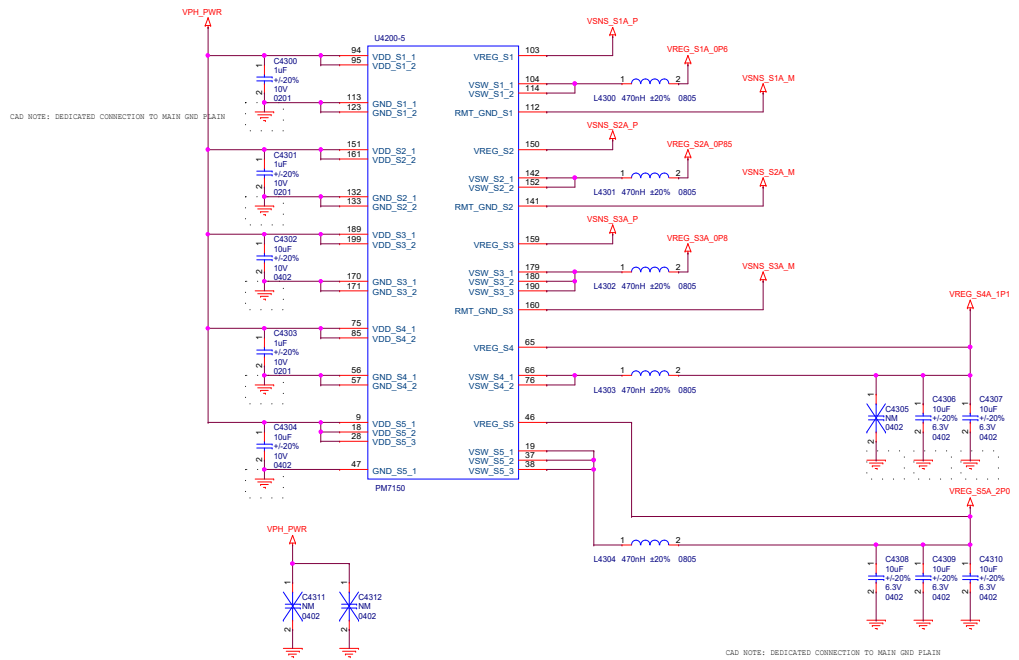
2

1

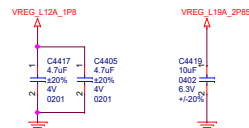
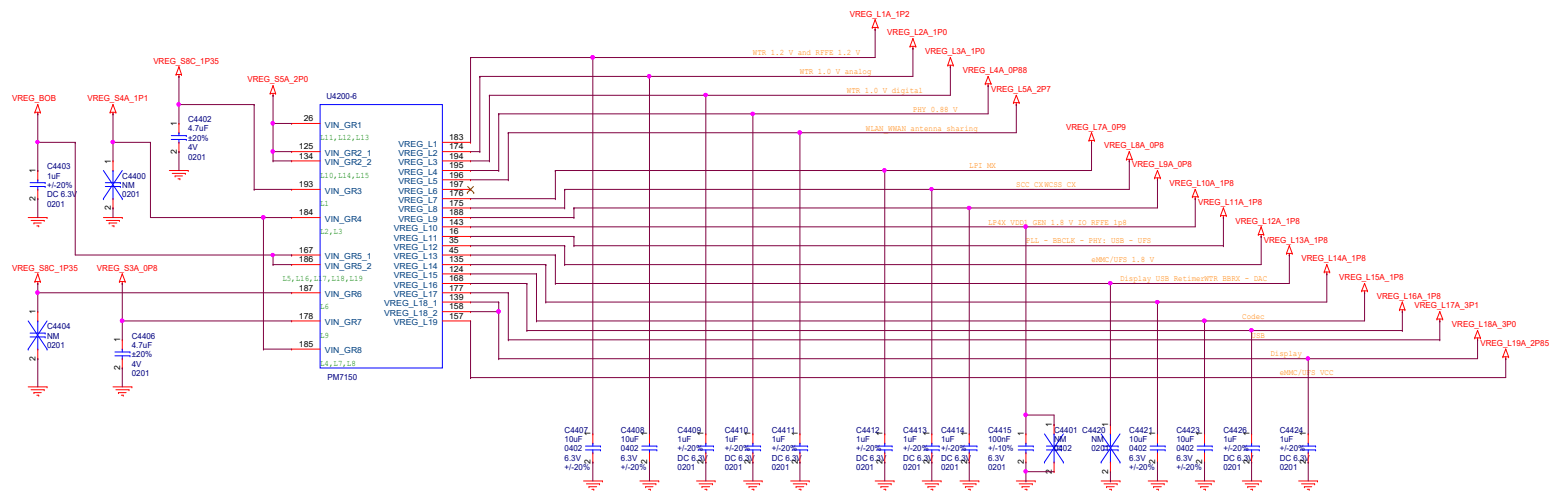


Title		F10 MAIN
Size	Document Number	P0
A3	SDM855 GND	
Date:	Thursday, March 21, 2019	Sheet 42 of 71





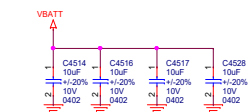
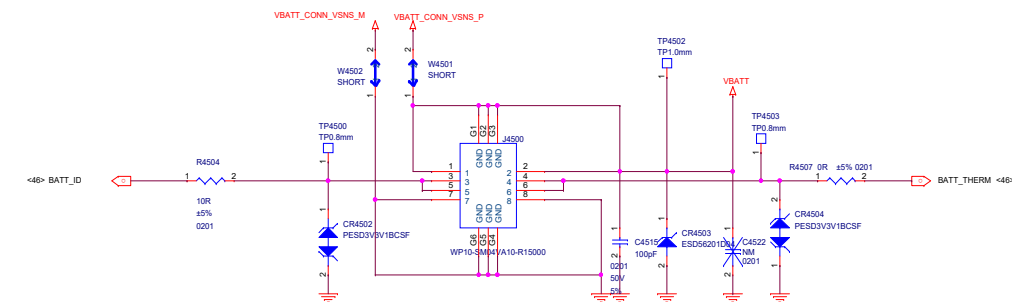
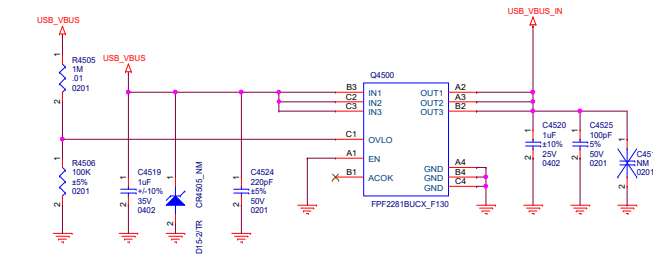
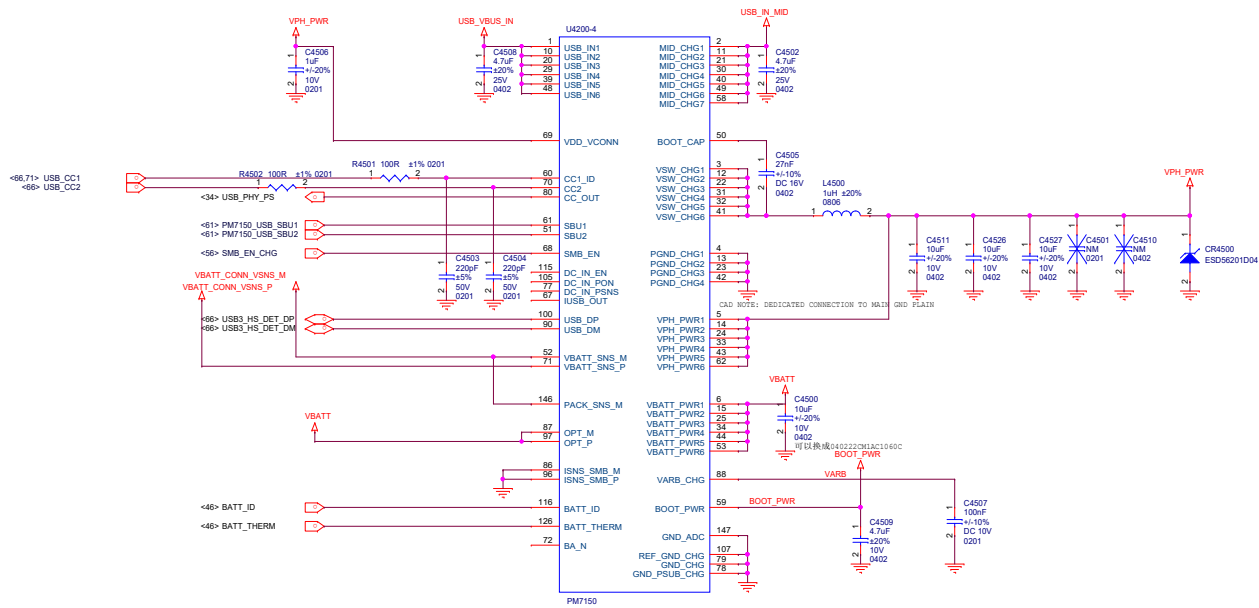
Title		F10 MAIN	
Size	A2	Document Number	PM7150 BUCK CONVERTER1
Date	Thursday, March 21, 2018	Sheet	44 of 71



VREG_L11A_1P8预留电容删除

高度限制, 10uF拆成2个4.7uF

PERIND CAPLESS LDOs
For CAPLESS LDOs: If decaps on the load side do not add up to LDO spec, then install the cap close to the PMIC



5

4

3

2

1

D

D

C


C

B

B

A

A

		
Title		
F10 MAIN		
Size	Document Number	
A4	PM855 GPIO&GND	
Date:	Thursday, March 21, 2019	Sheet 47 of 71
2		1

5

4

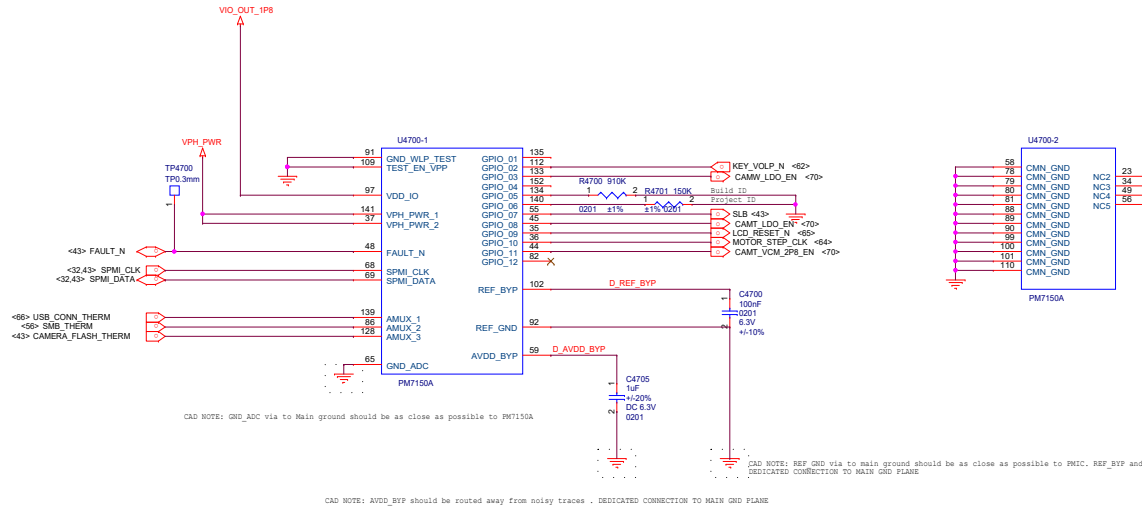
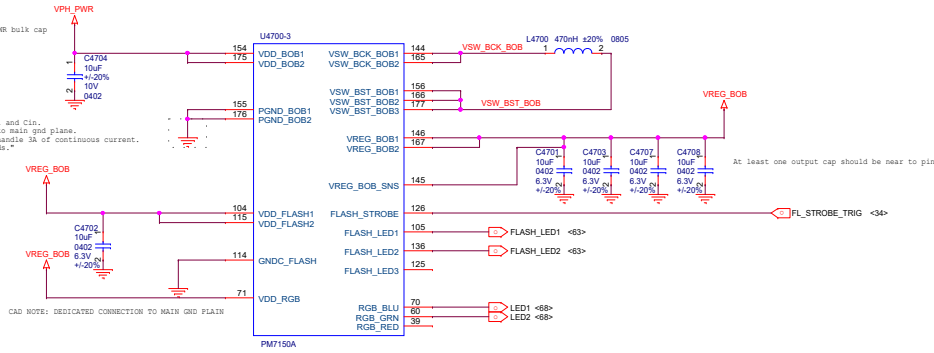
3

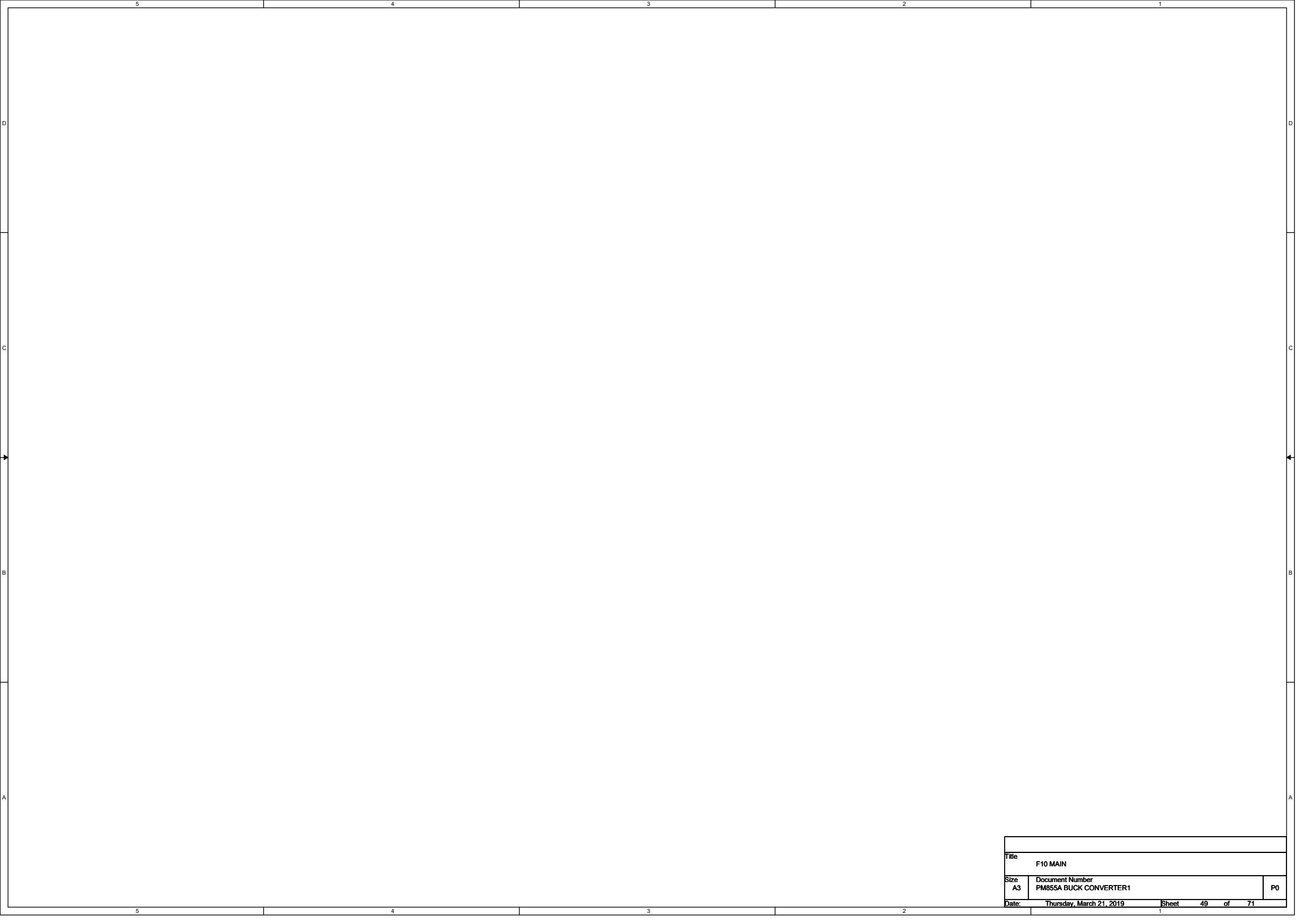
2

1

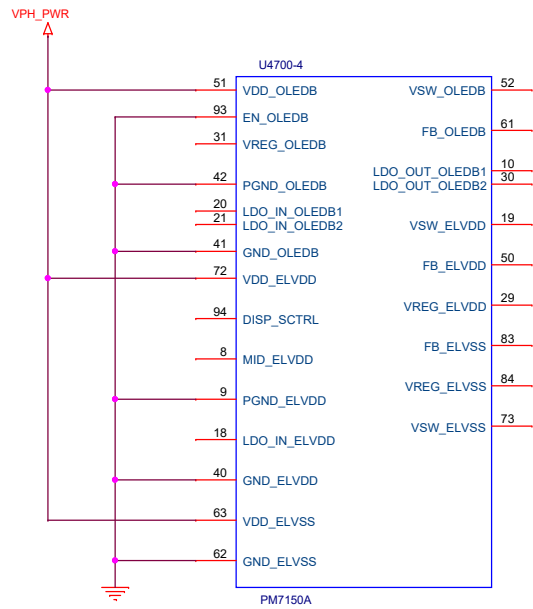
CAD Note: Place C4704 right next to the PMIC. This also acts as VPH_PWR bulk cap

CAD NOTE: Layout Note:PCMD_BOB
 *Dedicated trace from pin to C0001 and Cln.
 *Dedicated vias from cap directly to main gnd plane.
 Trace and vias should be able to handle 3A of continuous current.
 Do NOT connect to any other grounds.*





Title		
F10 MAIN		
Size	Document Number	P0
A3	PM855A BUCK CONVERTER1	
Date:	Thursday, March 21, 2019	Sheet 49 of 71



5

4

3

2

1

D

D

C


C

B

B

A

A

Title		F10 MAIN		
Size	A4	Document Number	PM855A LDOs	
Date:	Thursday, March 21, 2019		Sheet	52 of 71

5

4

3

2

1



5

4

3

2

1

D

D

C


C

B

B

A

A

Title		F10 MAIN		
Size	A4	Document Number	PM855B HAPTIC	
Date:	Thursday, March 21, 2019		Sheet	54 of 71

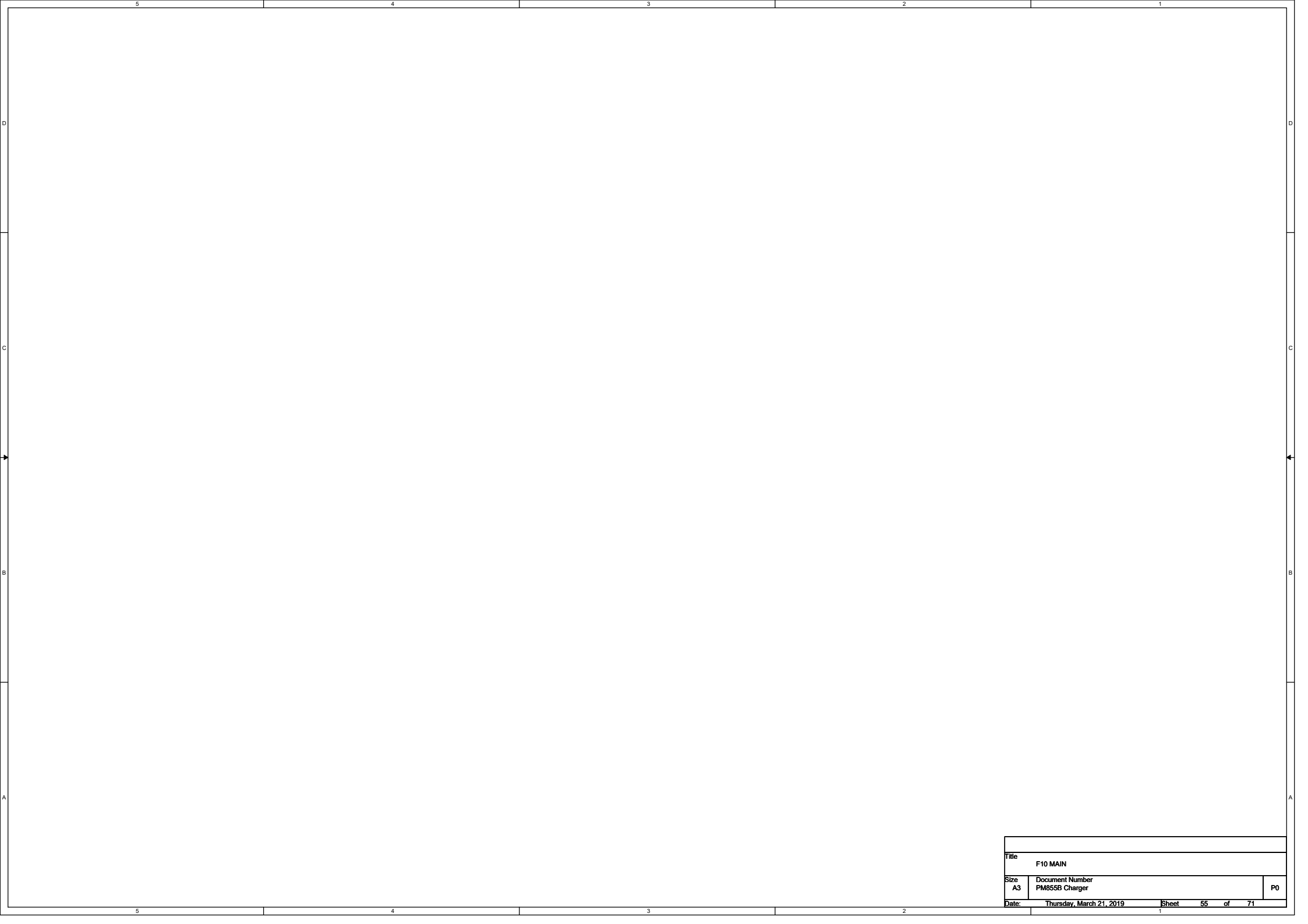
5

4

3

2

1



5

4

3

2

1

D

D

C

C

B

B

A

A

Title		
F10 MAIN		
Size	Document Number	P0
A3	PM855B Charger	
Date:	Thursday, March 21, 2019	Sheet 55 of 71

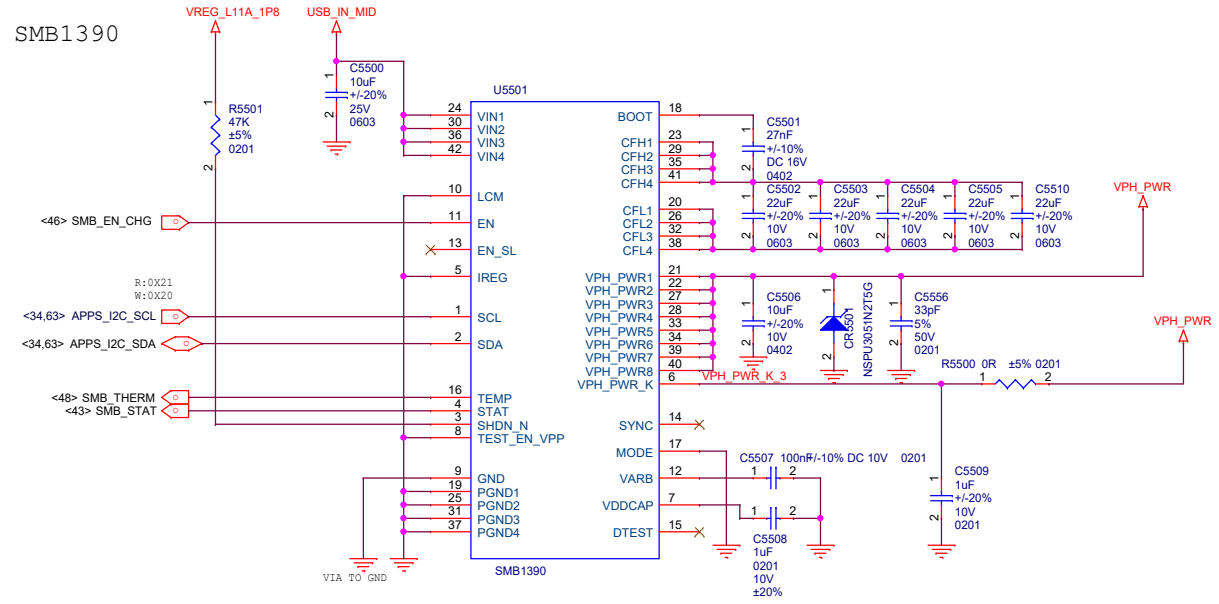
5

4

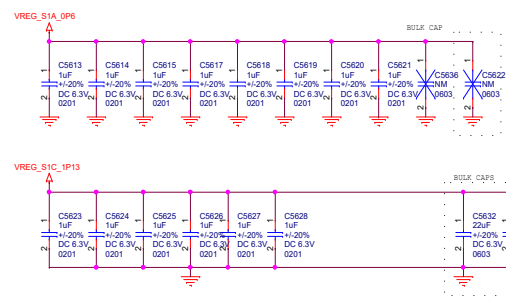
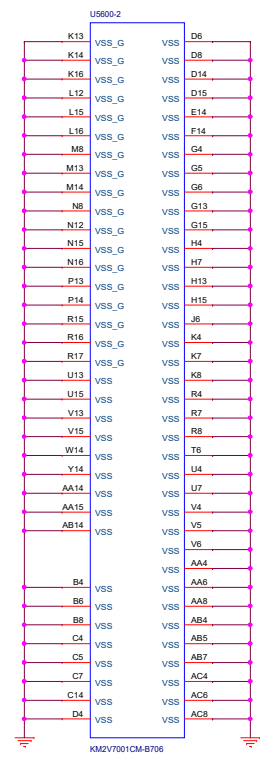
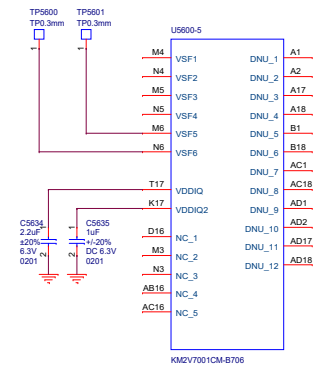
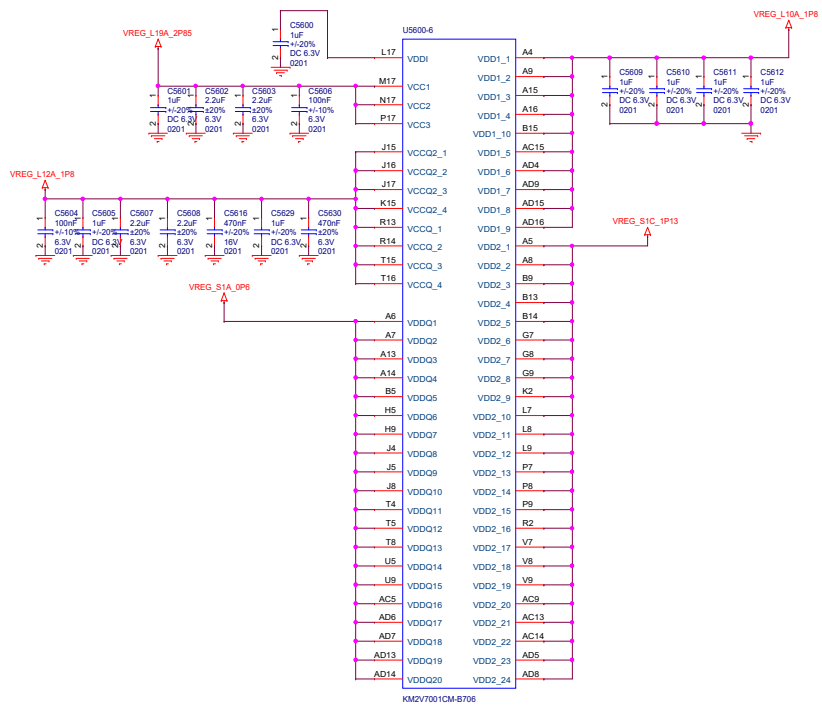
3

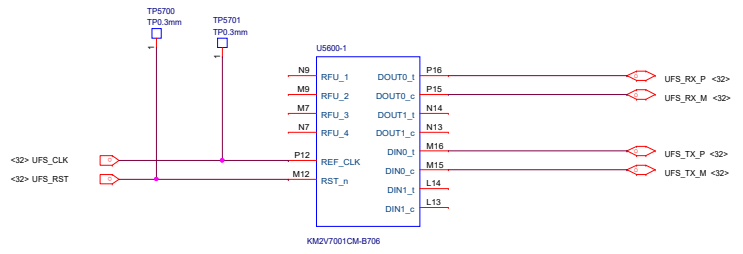
2

1

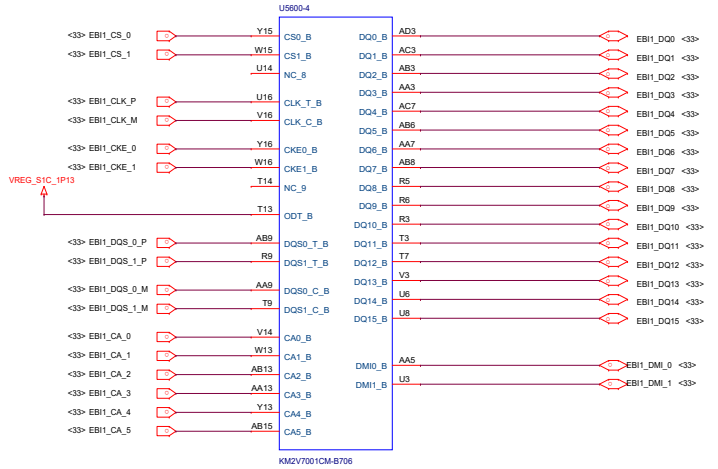
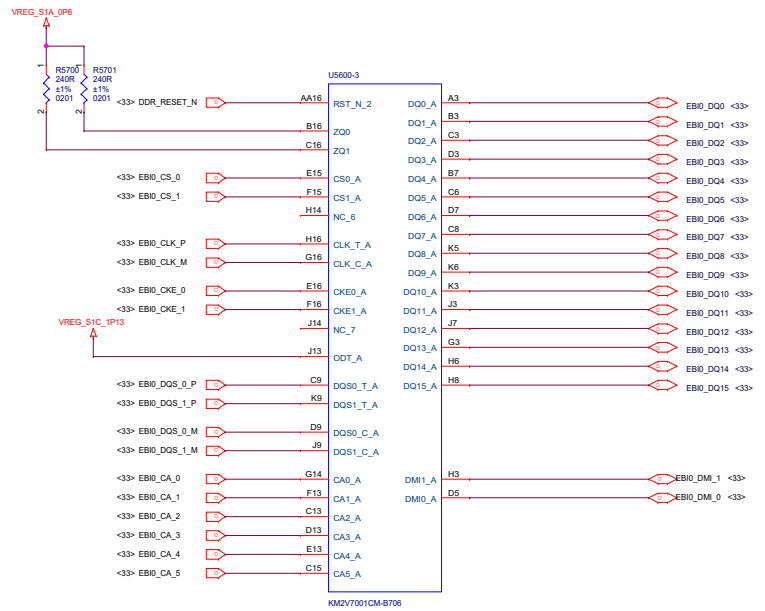


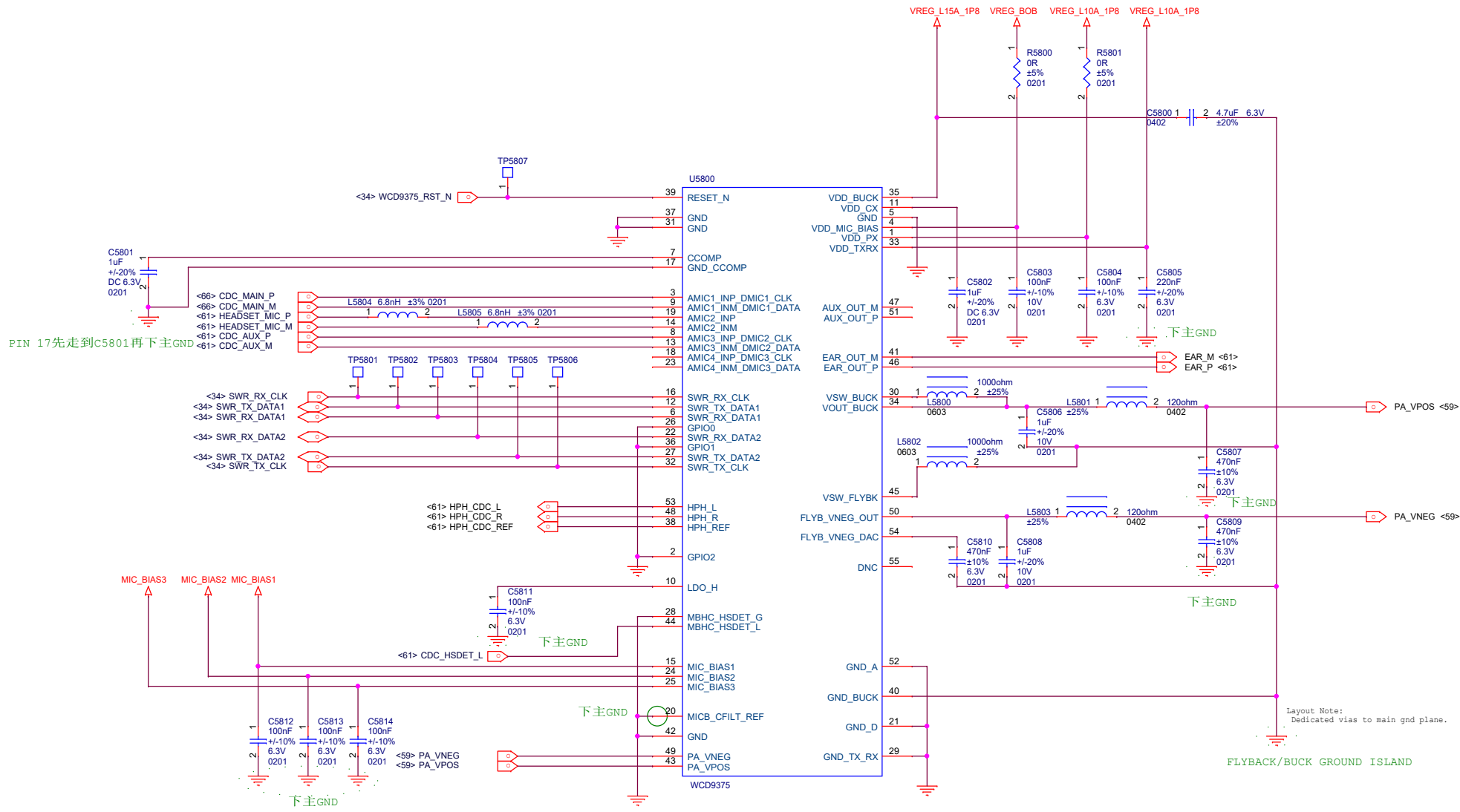
Title		F10 MAIN
Size	Document Number	P0
A3	SMB1390&WL POWER	
Date:	Thursday, March 21, 2019	Sheet 56 of 71





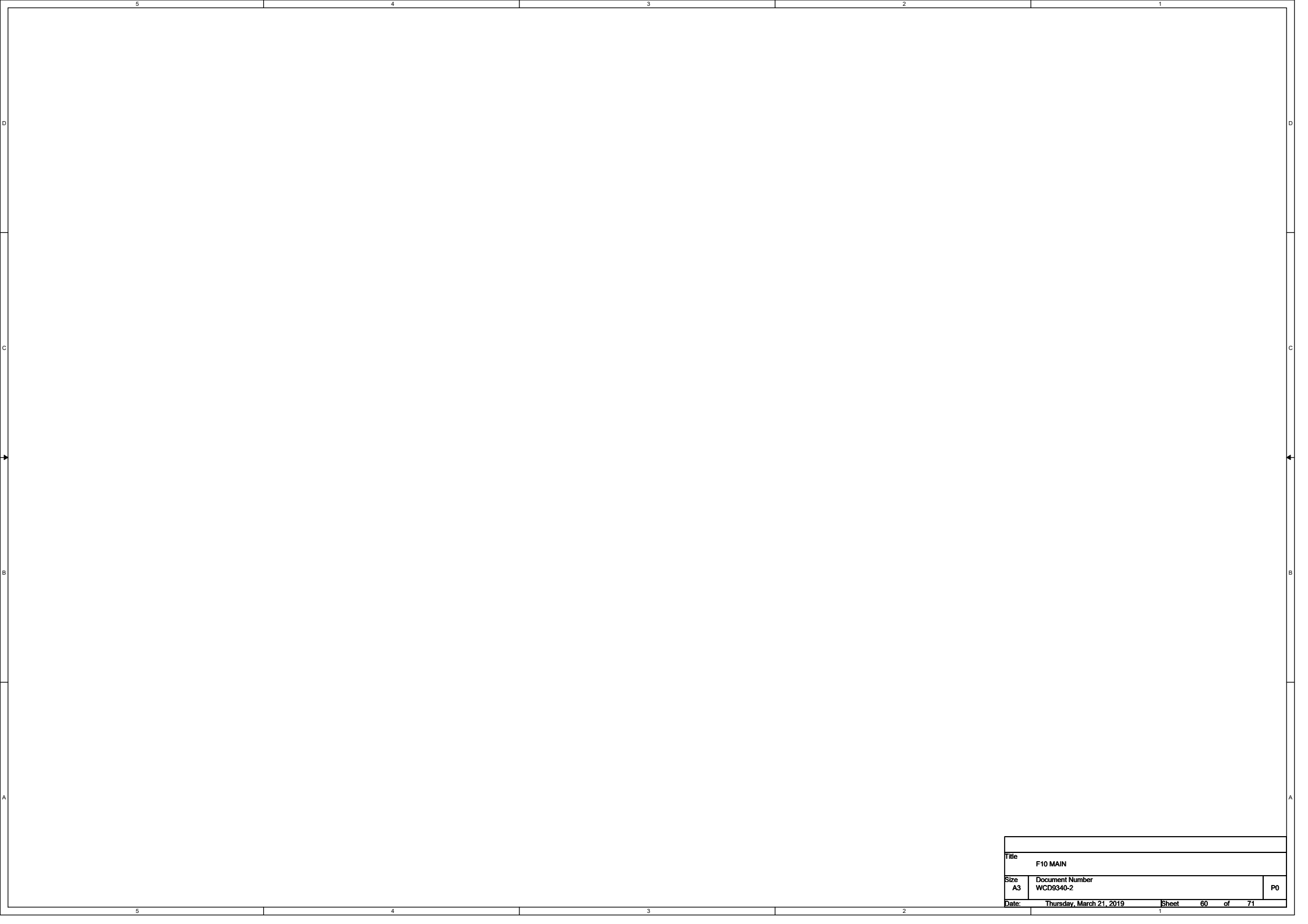
LPDDR4 / 4x





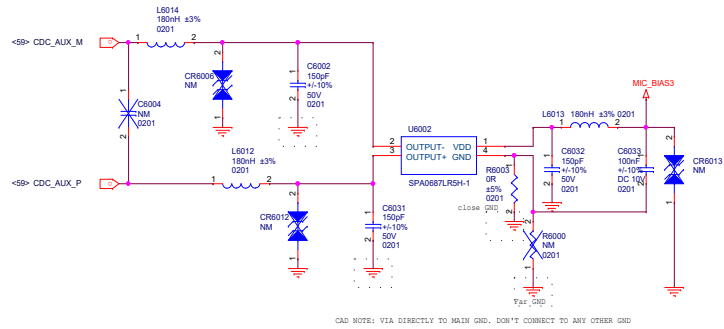
Layout Note:
Dedicated vias to main gnd plane.

Title		F10 MAIN
Size	Document Number	WCD9340-1
Date:	Thursday, March 21, 2019	Sheet 59 of 71



Title	
F10 MAIN	
Size	Document Number
A3	WCD9340-2
Date:	Thursday, March 21, 2019
Sheet	60 of 71
PO	

AUX MIC

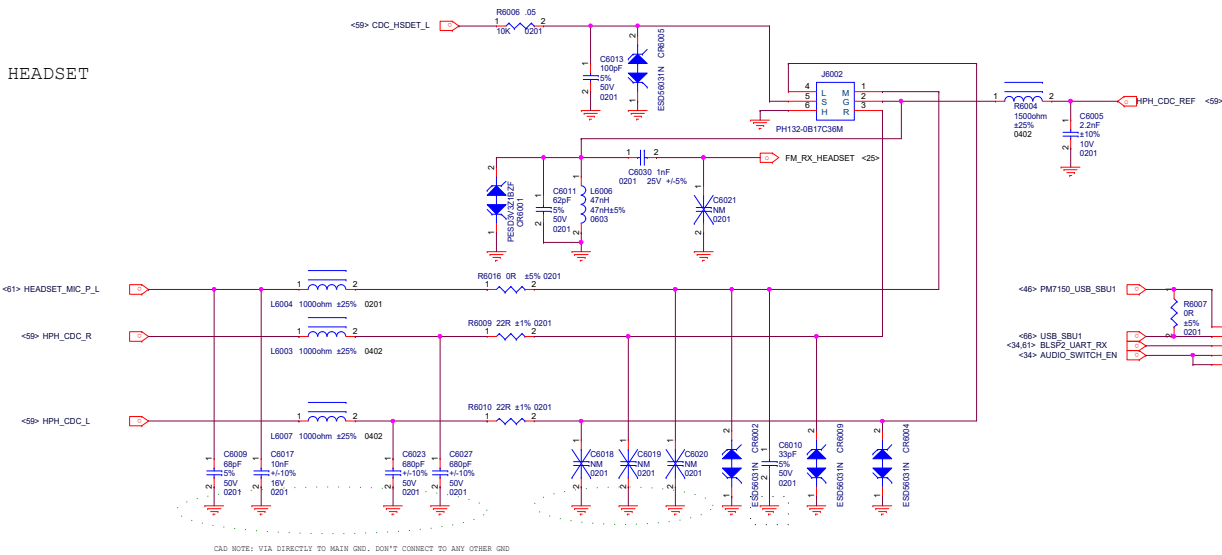


AUX MIC

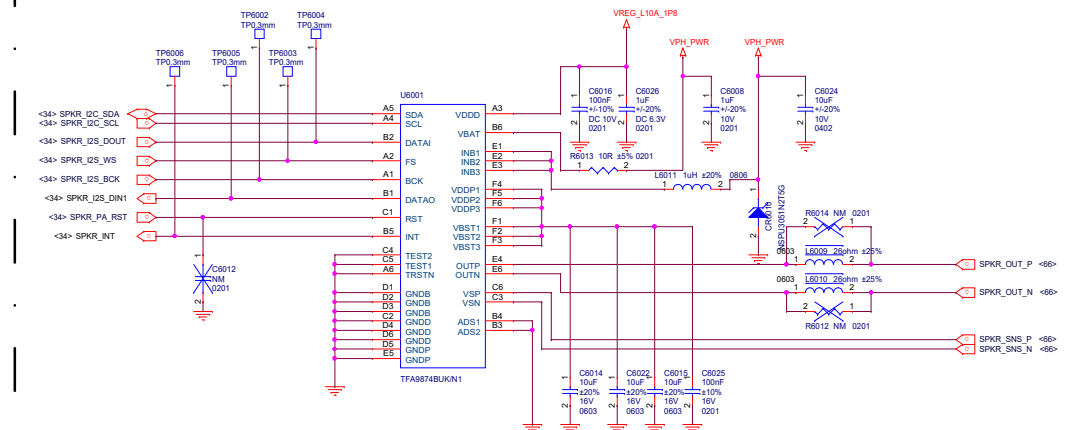
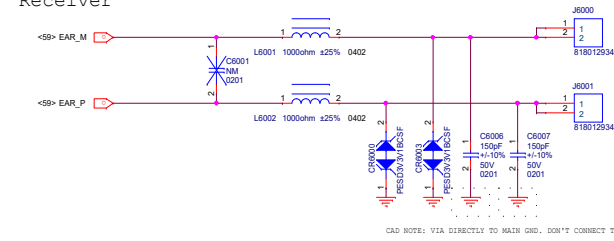
UART SWITCH



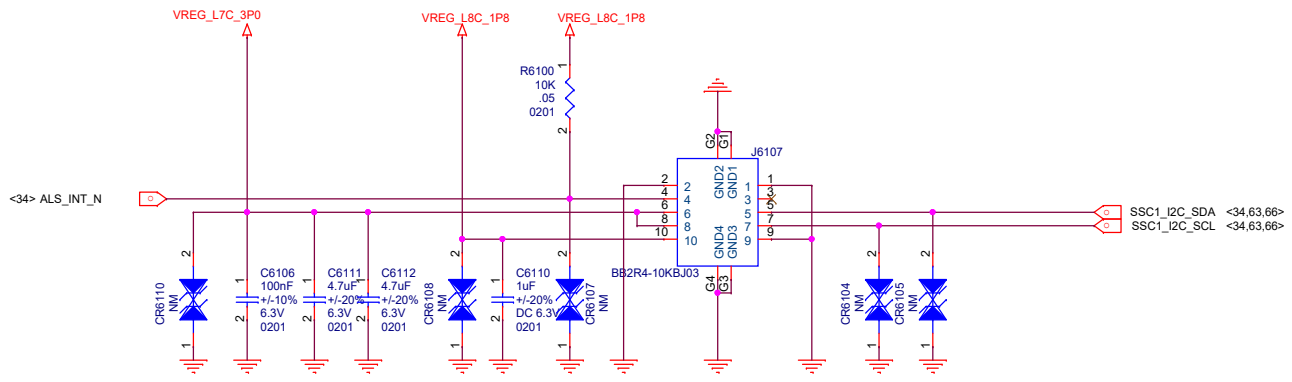
HEADSET



Receiver

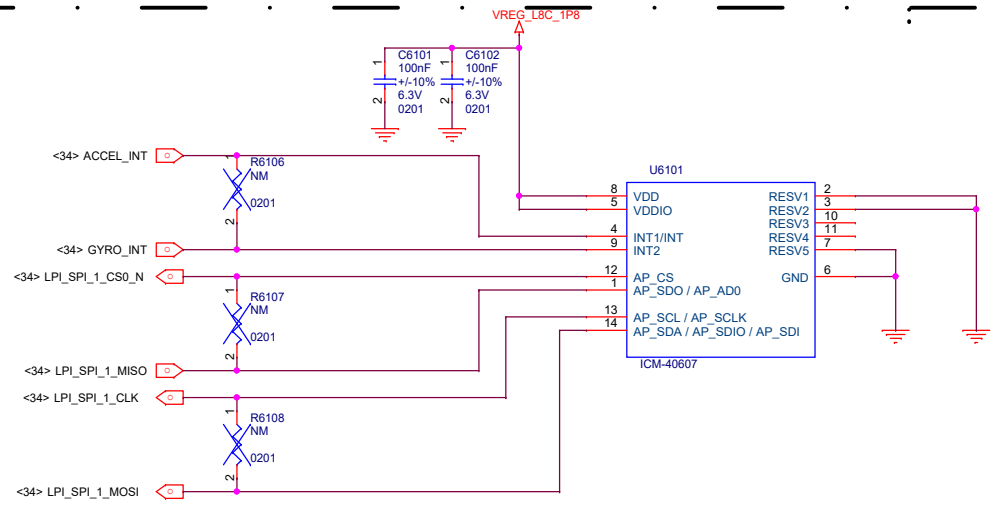


P-sensor

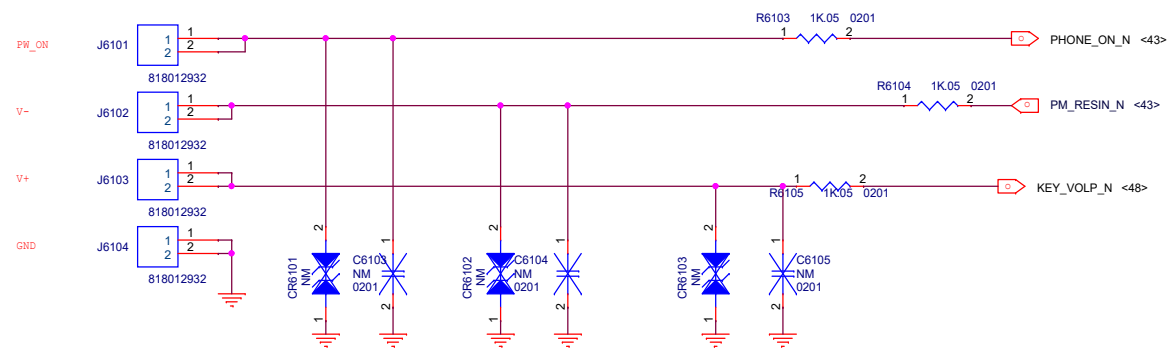


L-sensor

A+G

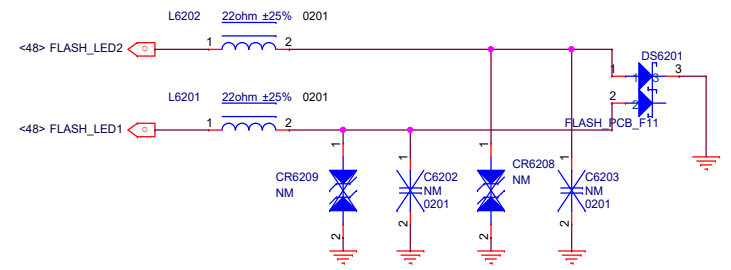
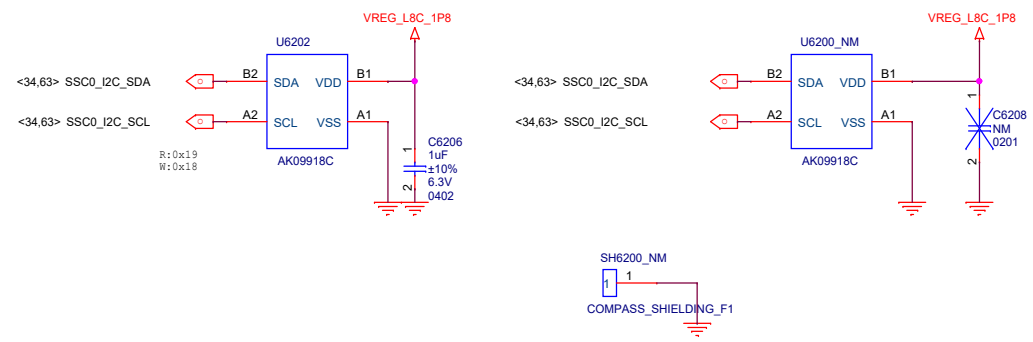


Sidekey

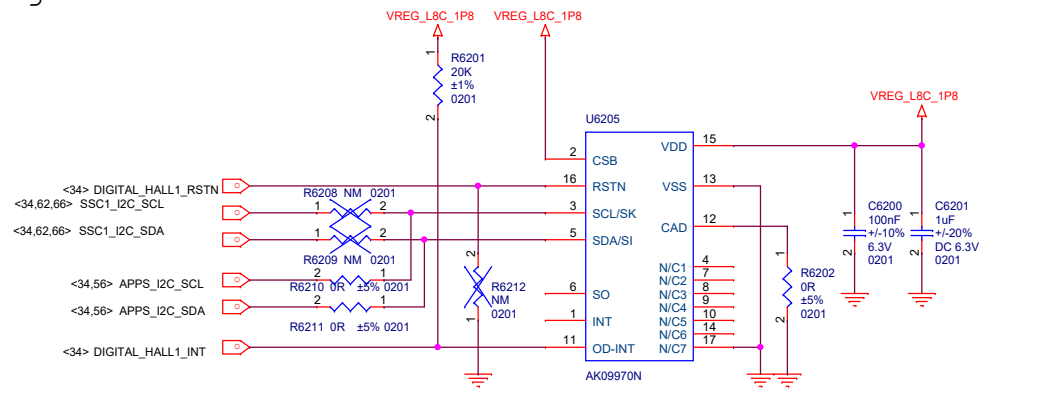


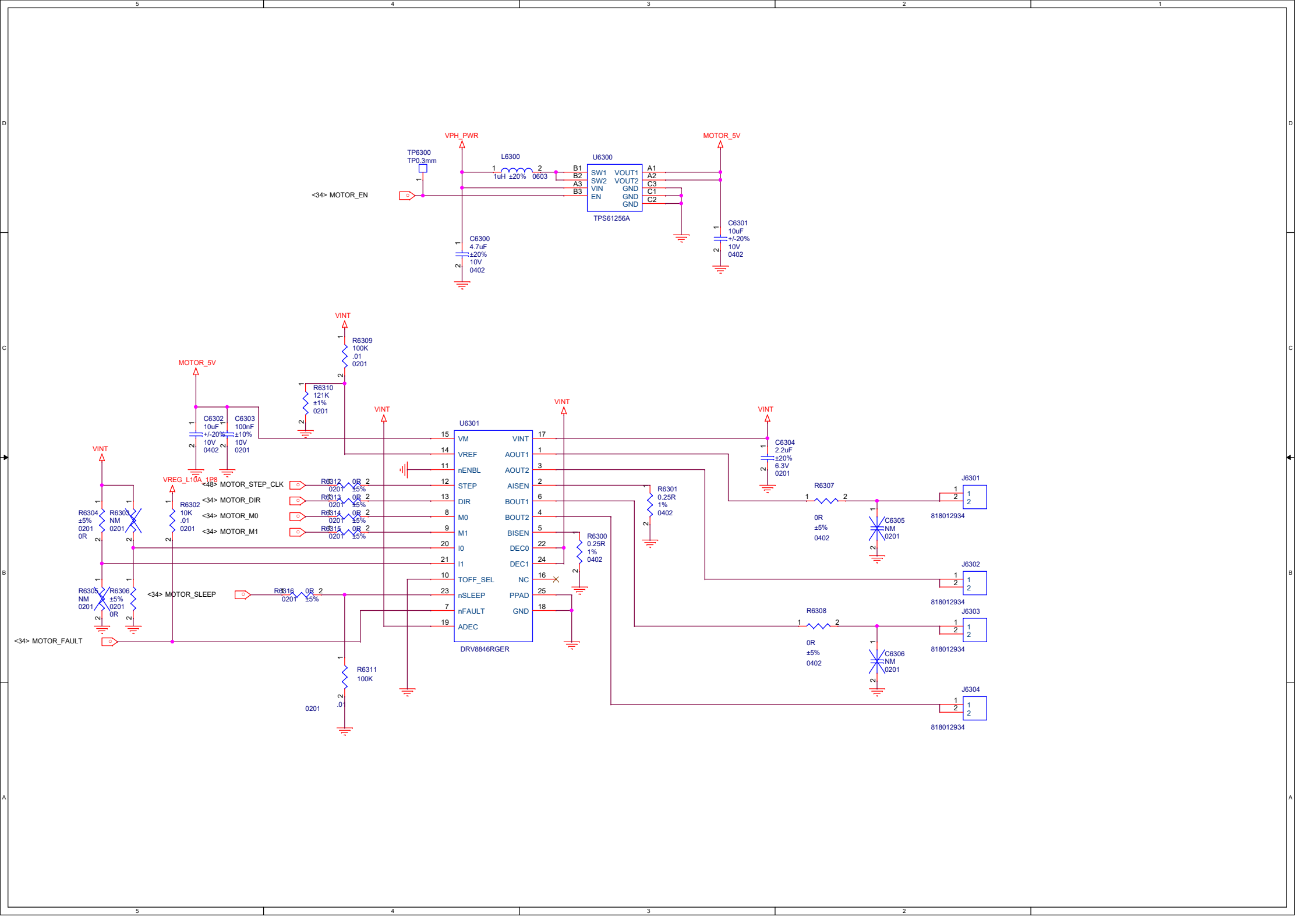
FingerPrint to SUB board

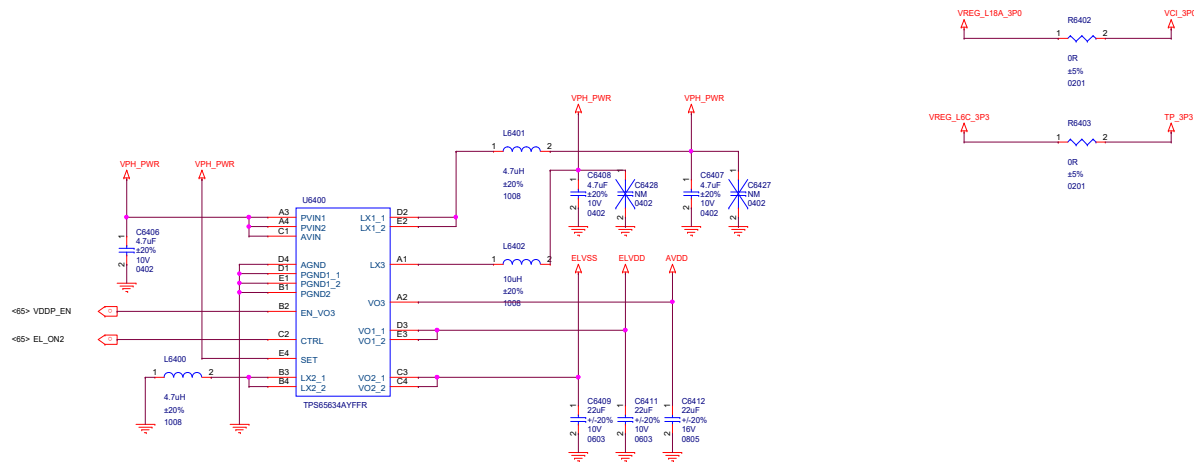
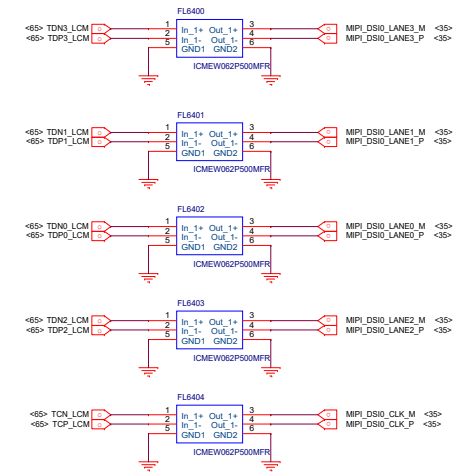
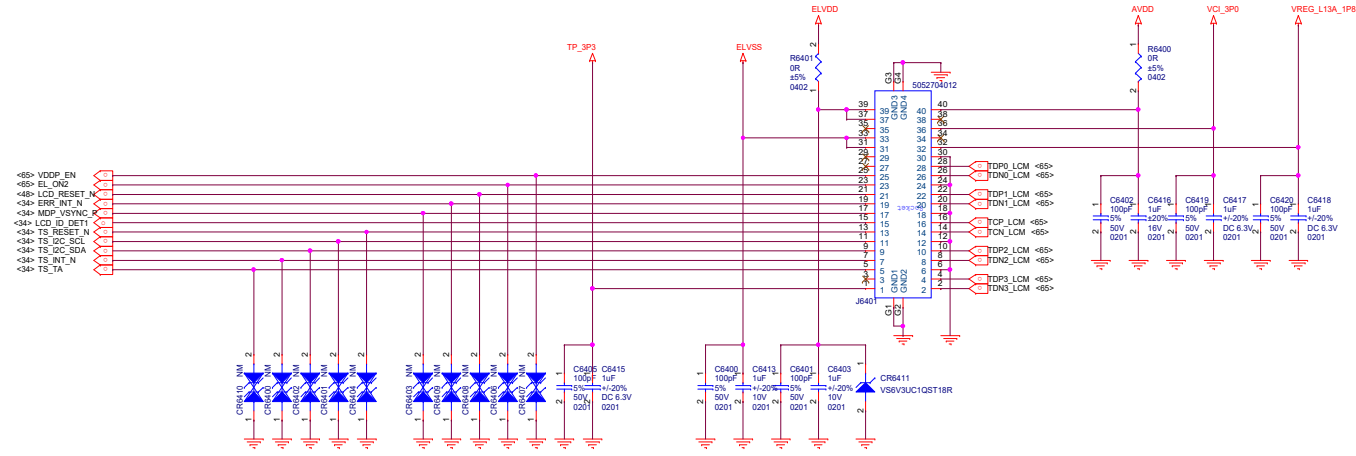
COMPASS

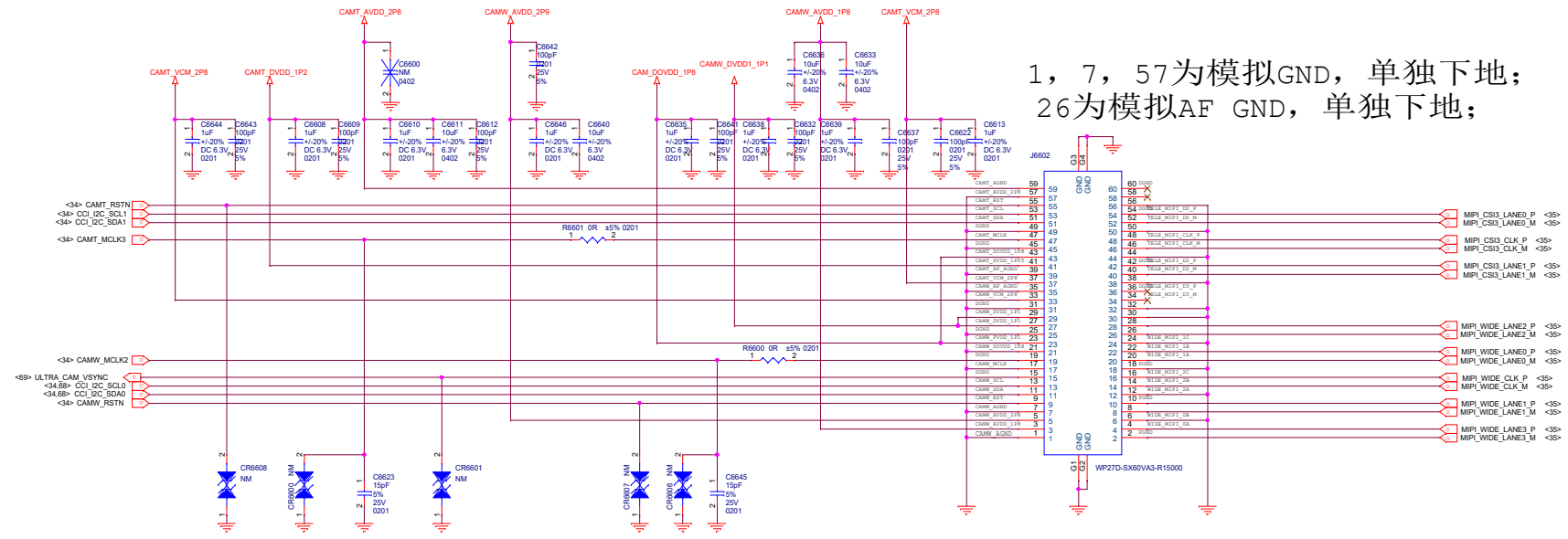


Digital HALL



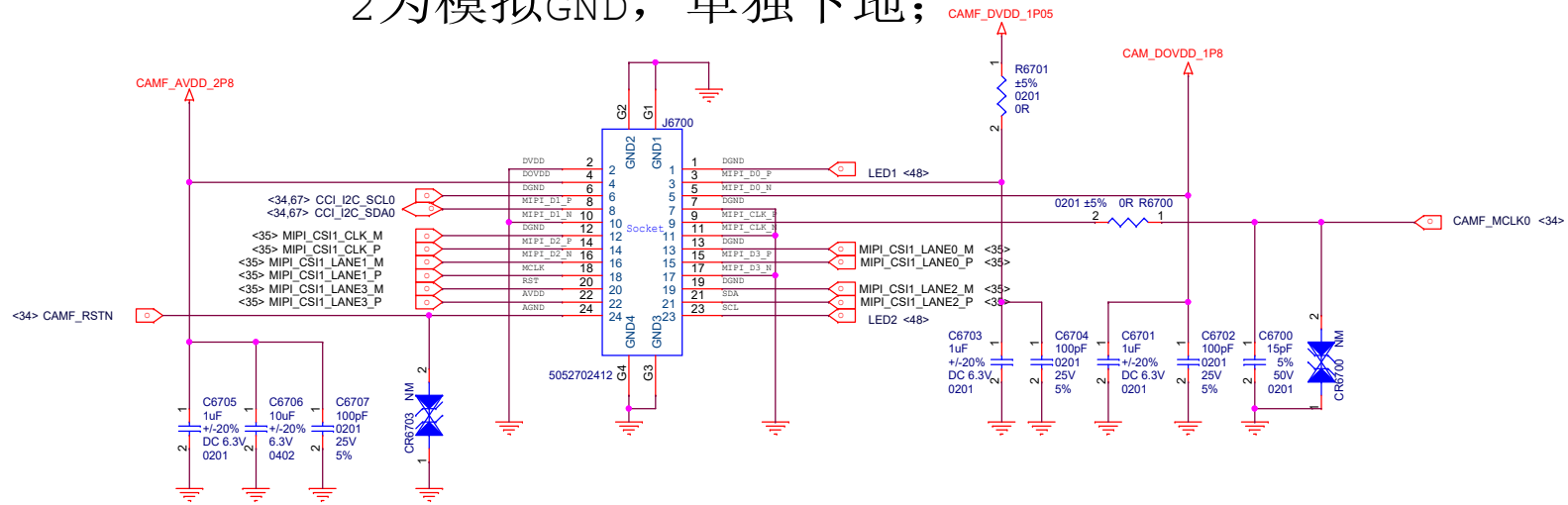




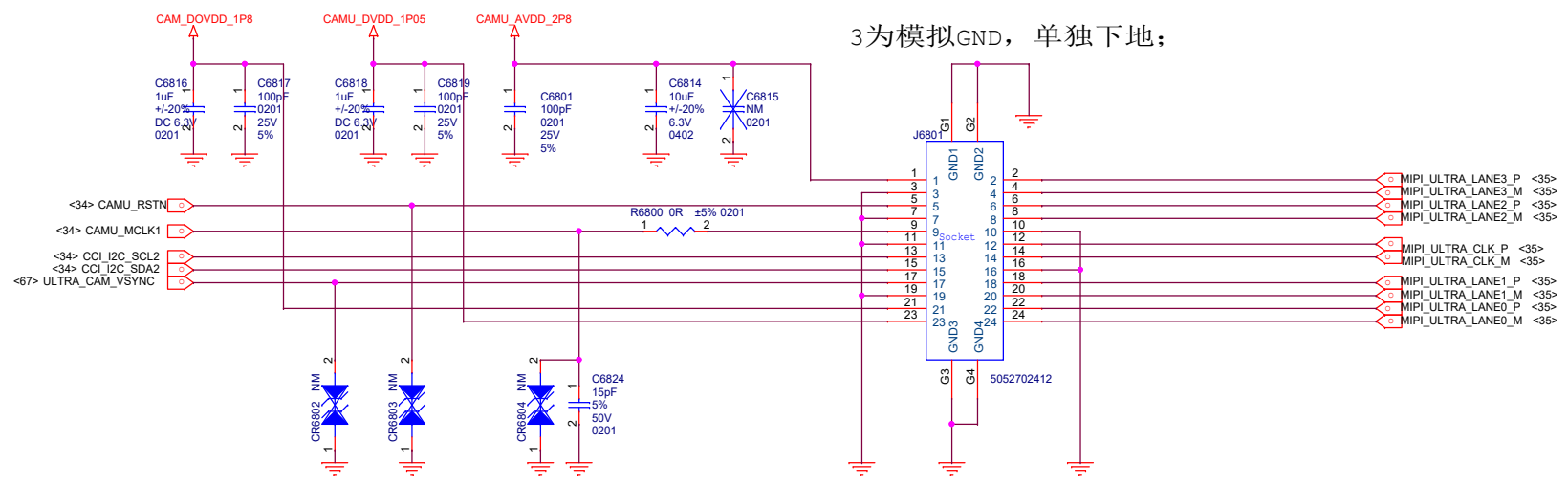


1, 7, 57为模拟GND, 单独下地;
26为模拟AF GND, 单独下地;

2为模拟GND，单独下地；



3为模拟GND，单独下地；



D

D

C

C

B

B

A

A

5

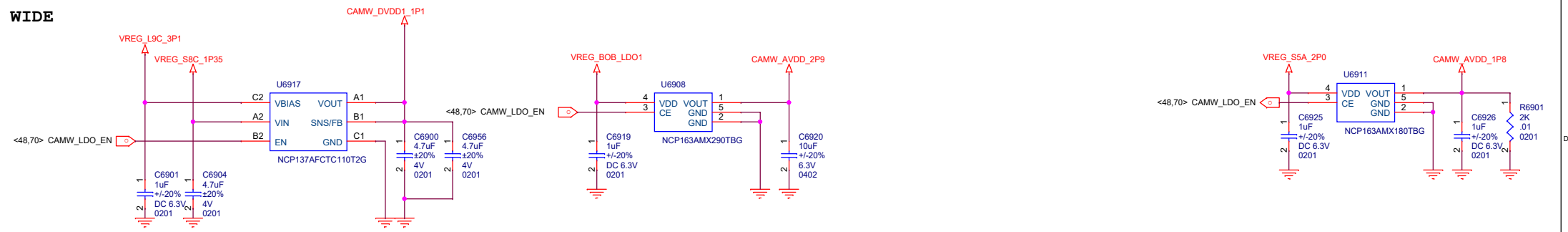
4

3

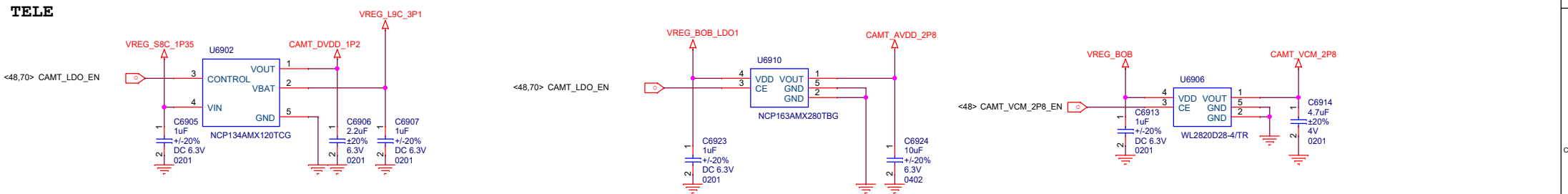
2

1

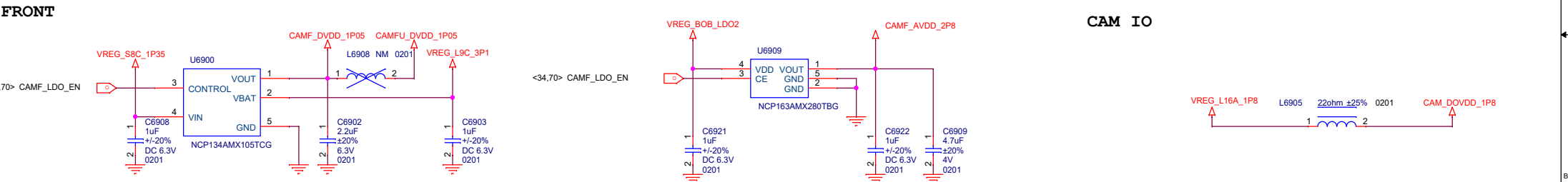
WIDE



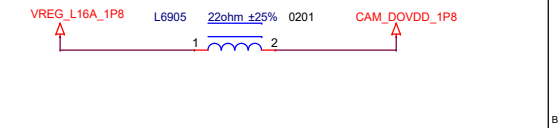
TELE



FRONT



CAM IO



ULTRA

