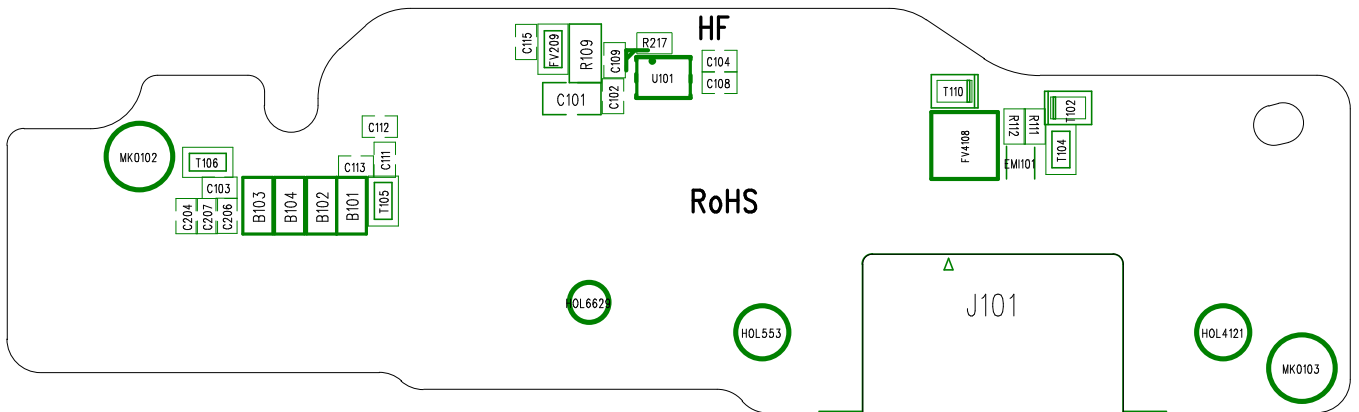
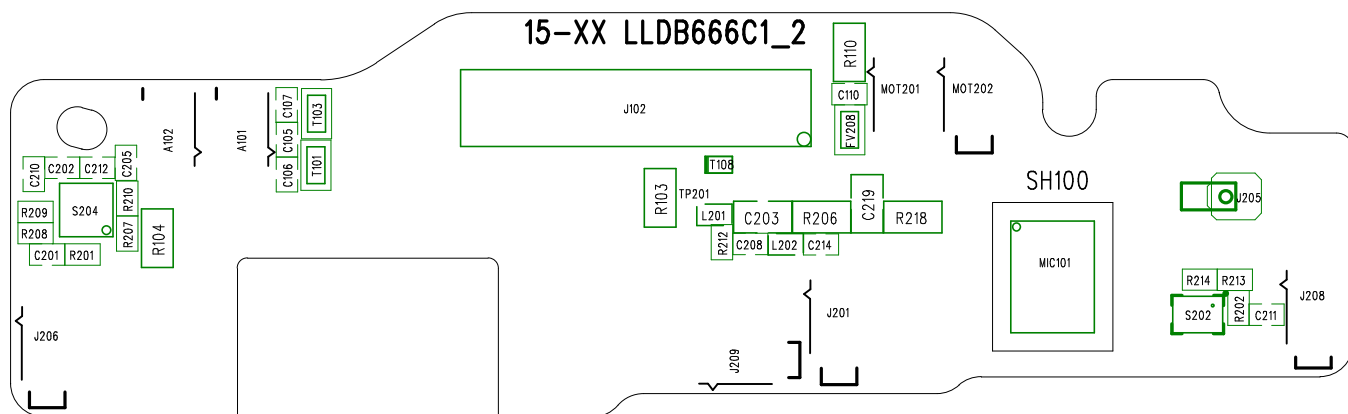
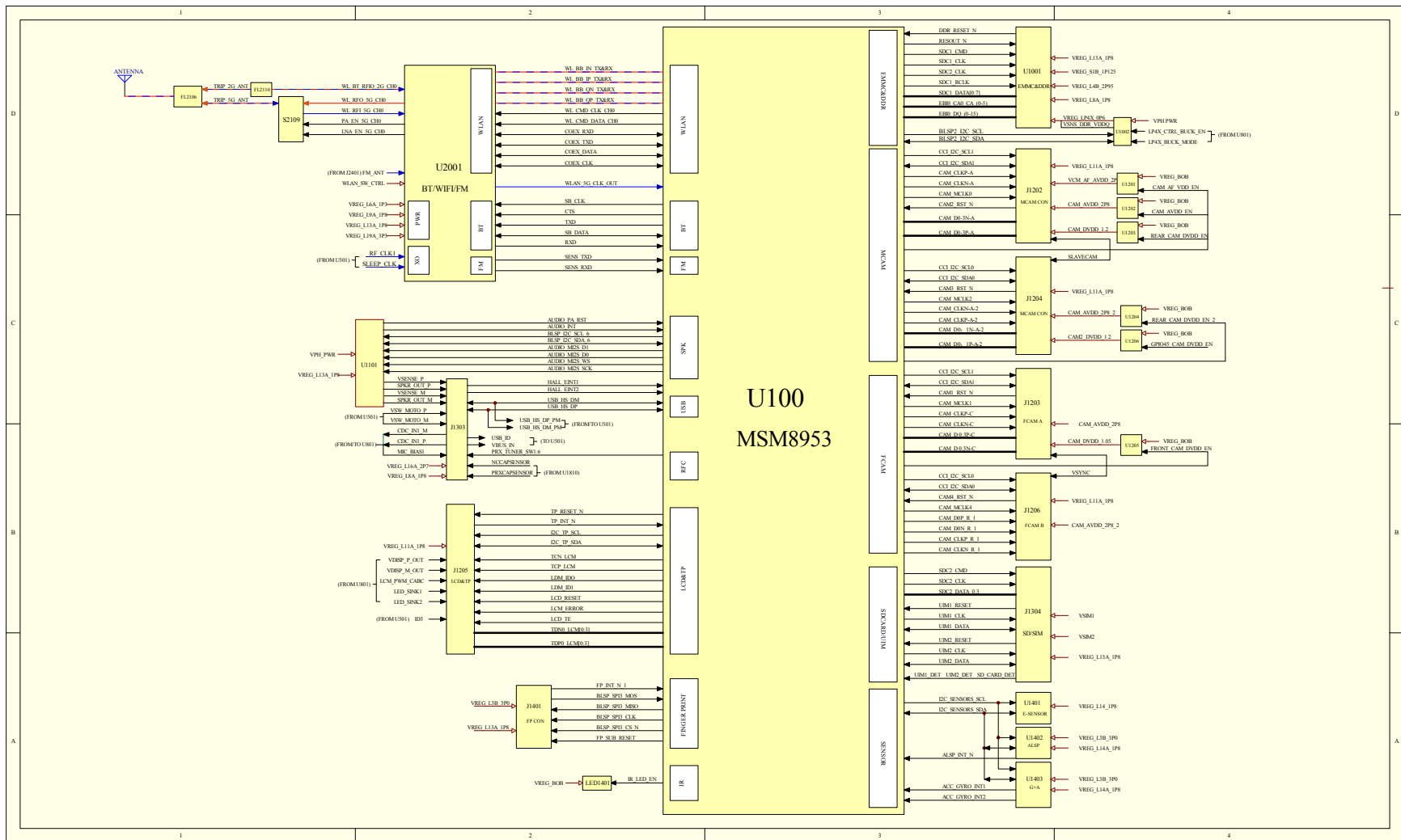


VIETMOBILE.VN



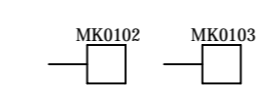
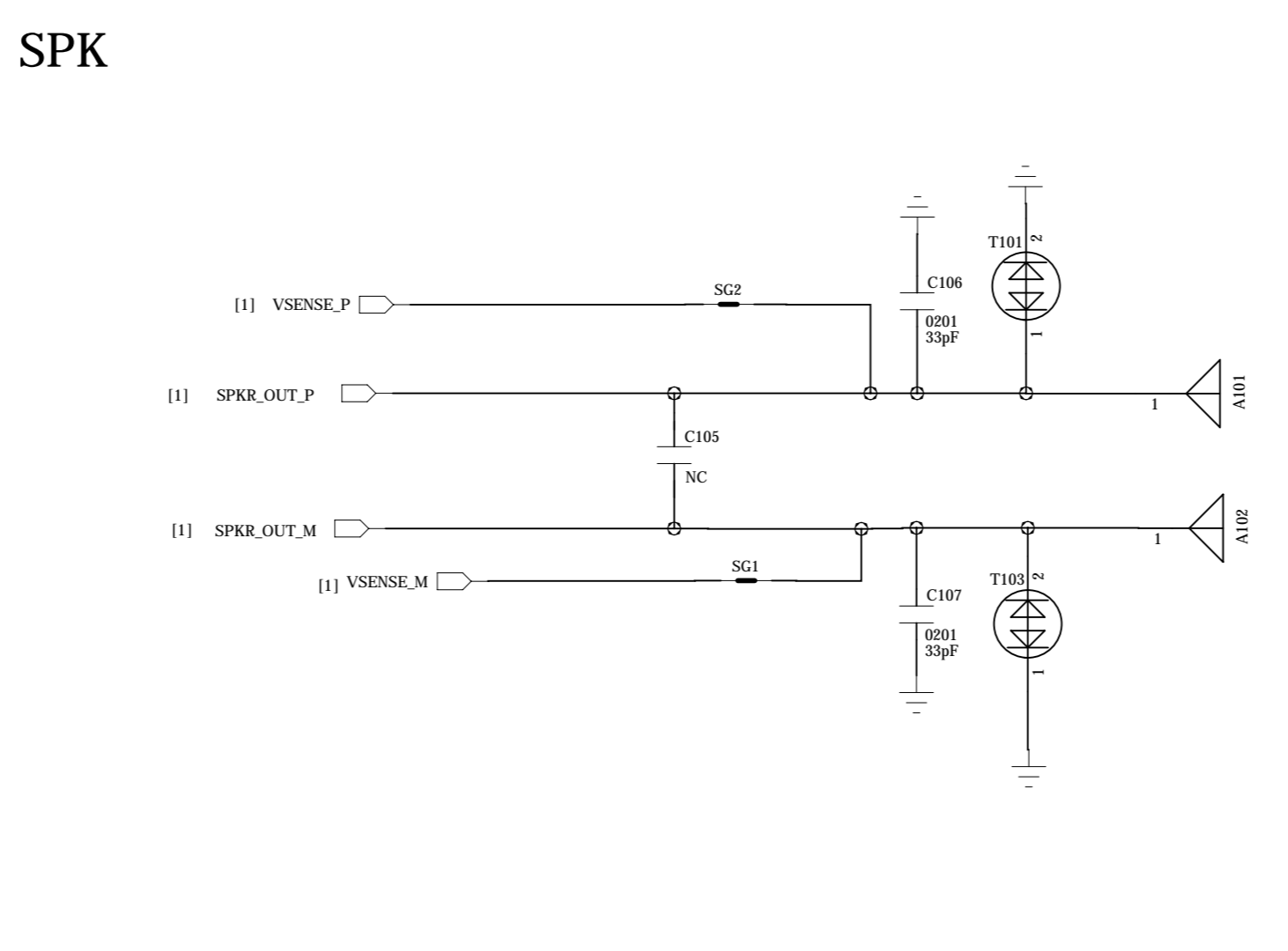
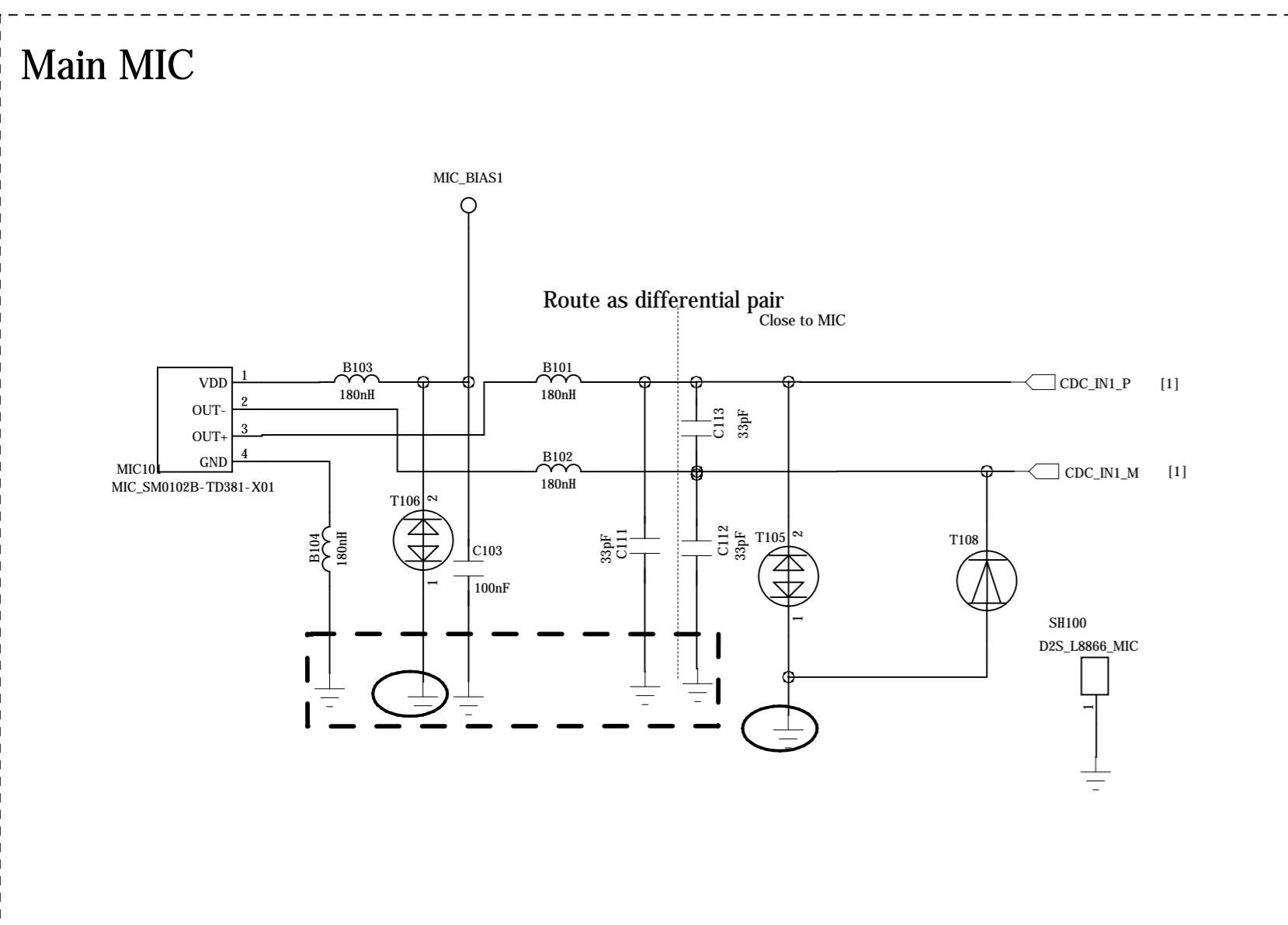
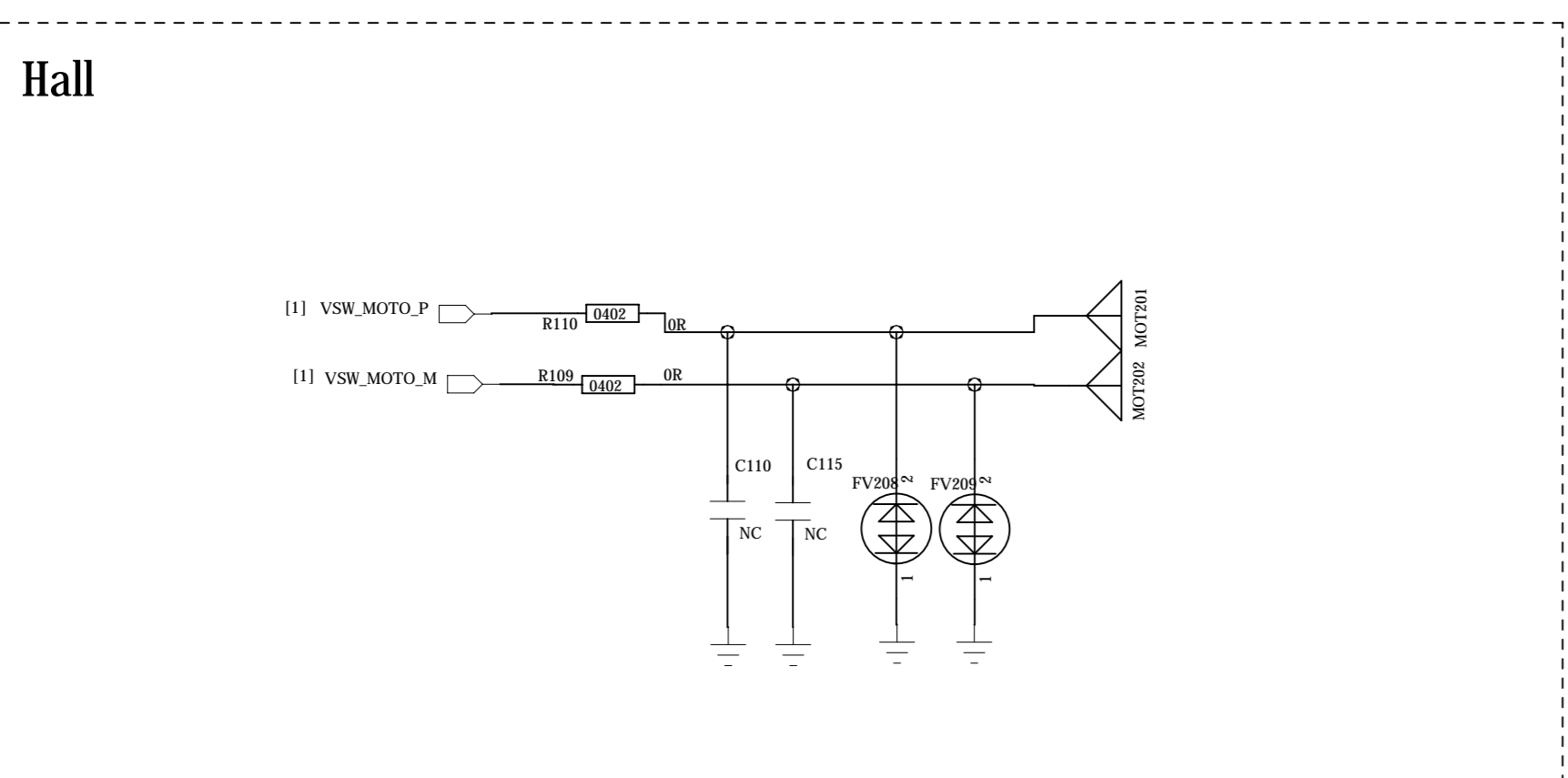
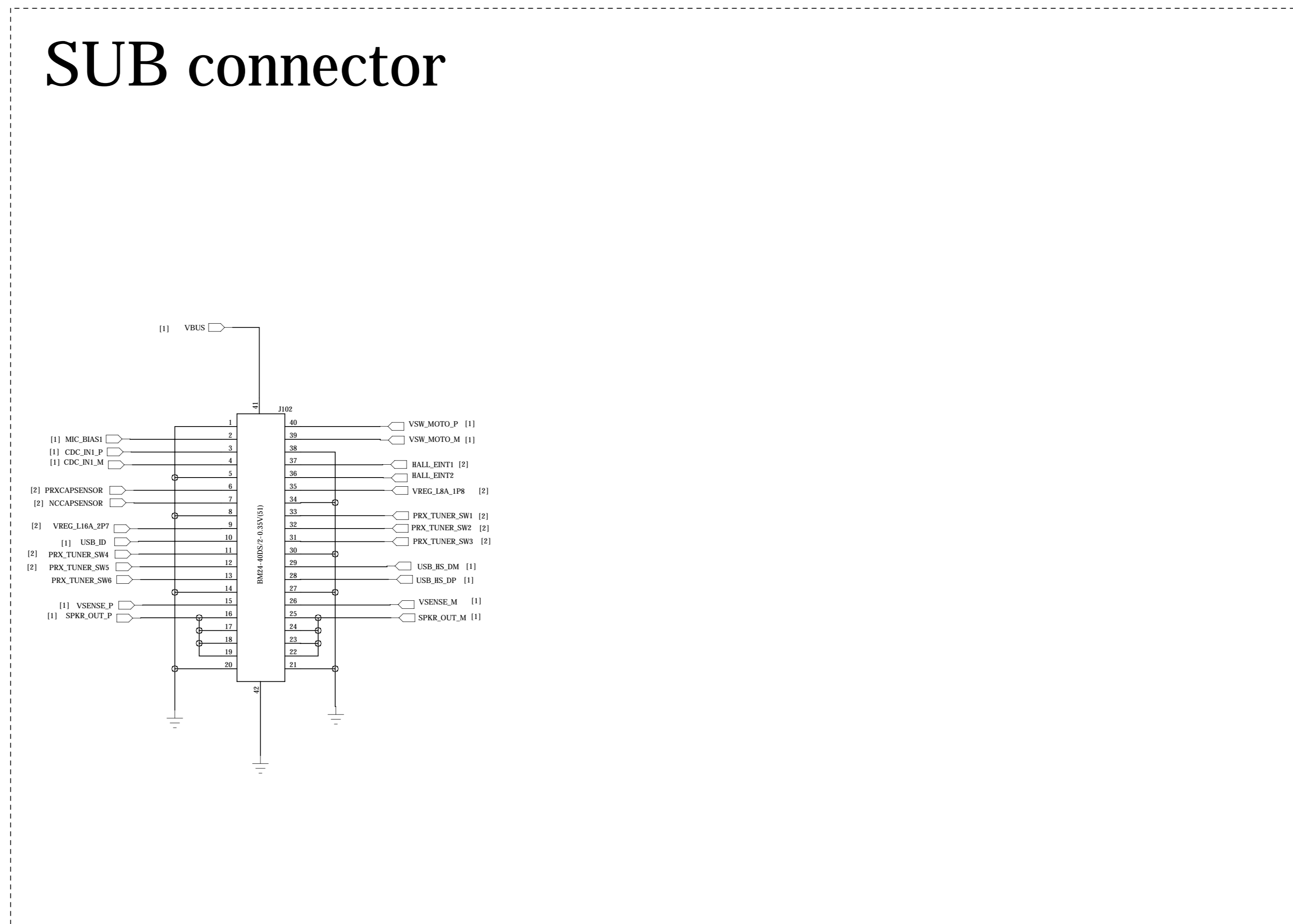
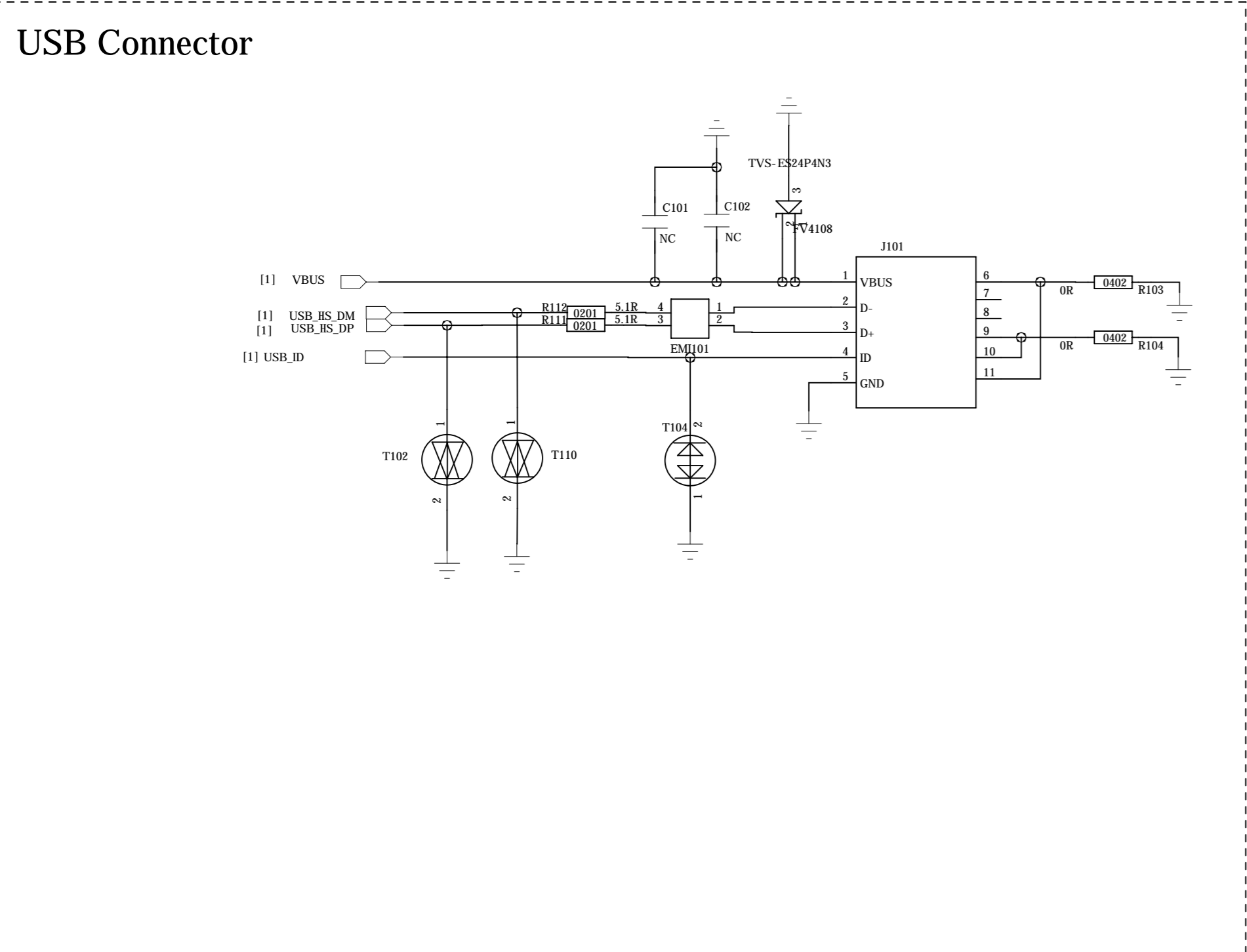
VIETMOBILE.VN





U100
MSM8953

| REVISION RECORD | | | |
|-----------------|---------|-----------|-------|
| LTR | ECO NO. | APPROVED: | DATE: |
| | | | |
| | | | |
| | | | |

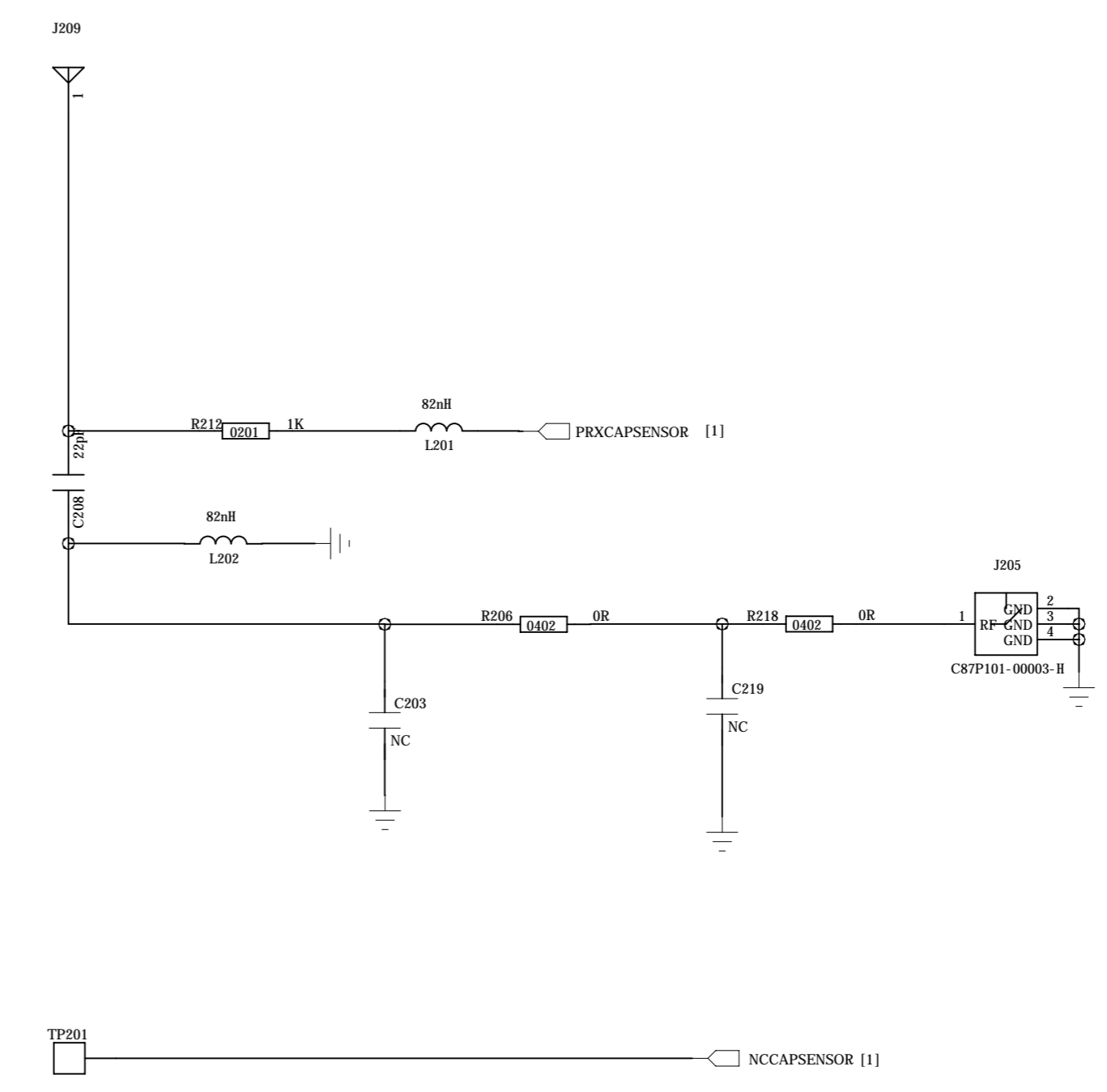
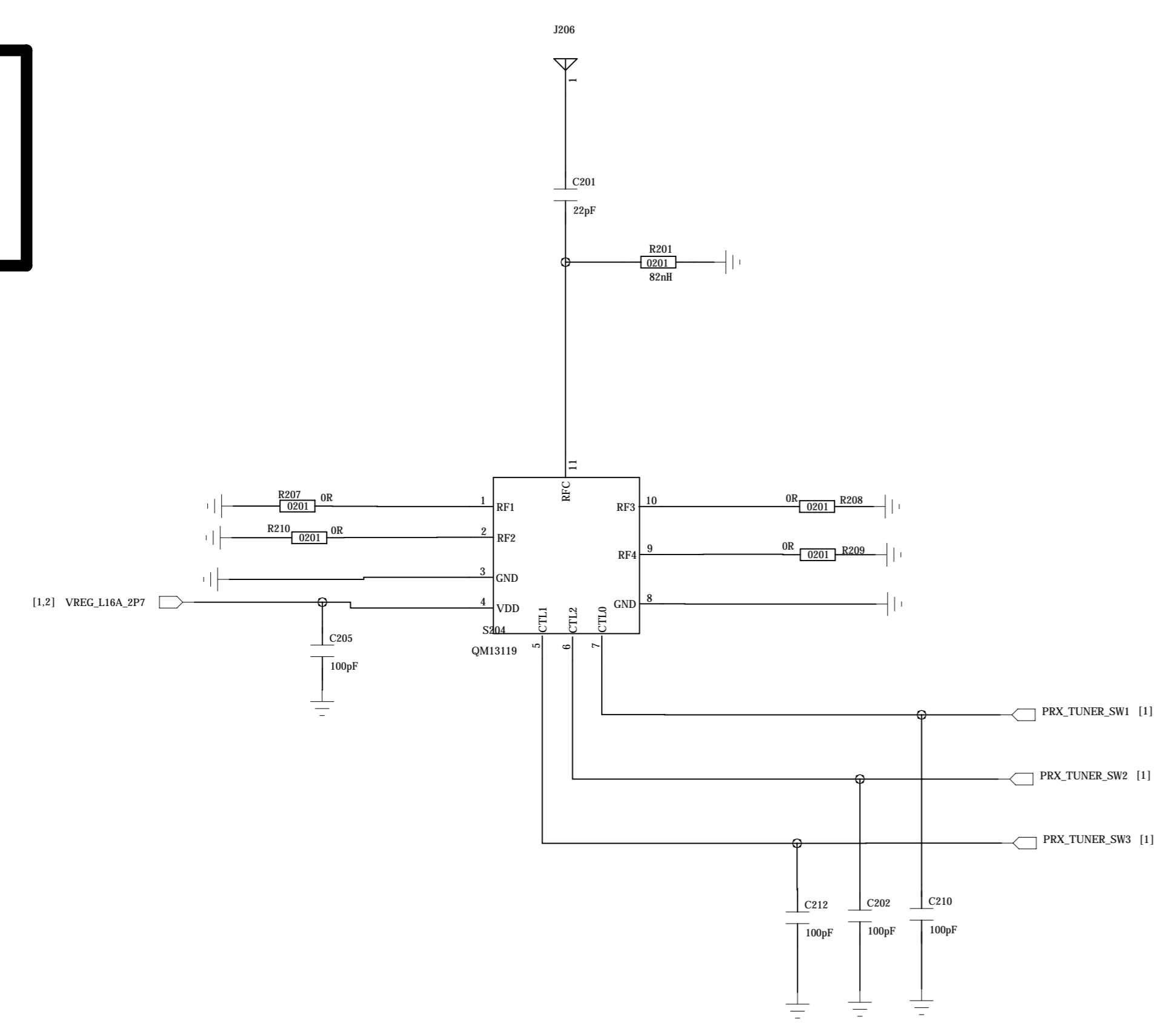
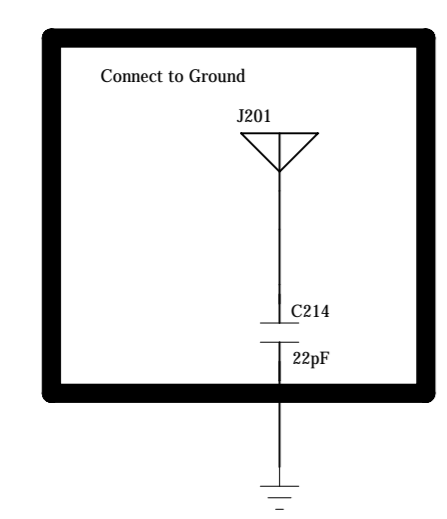
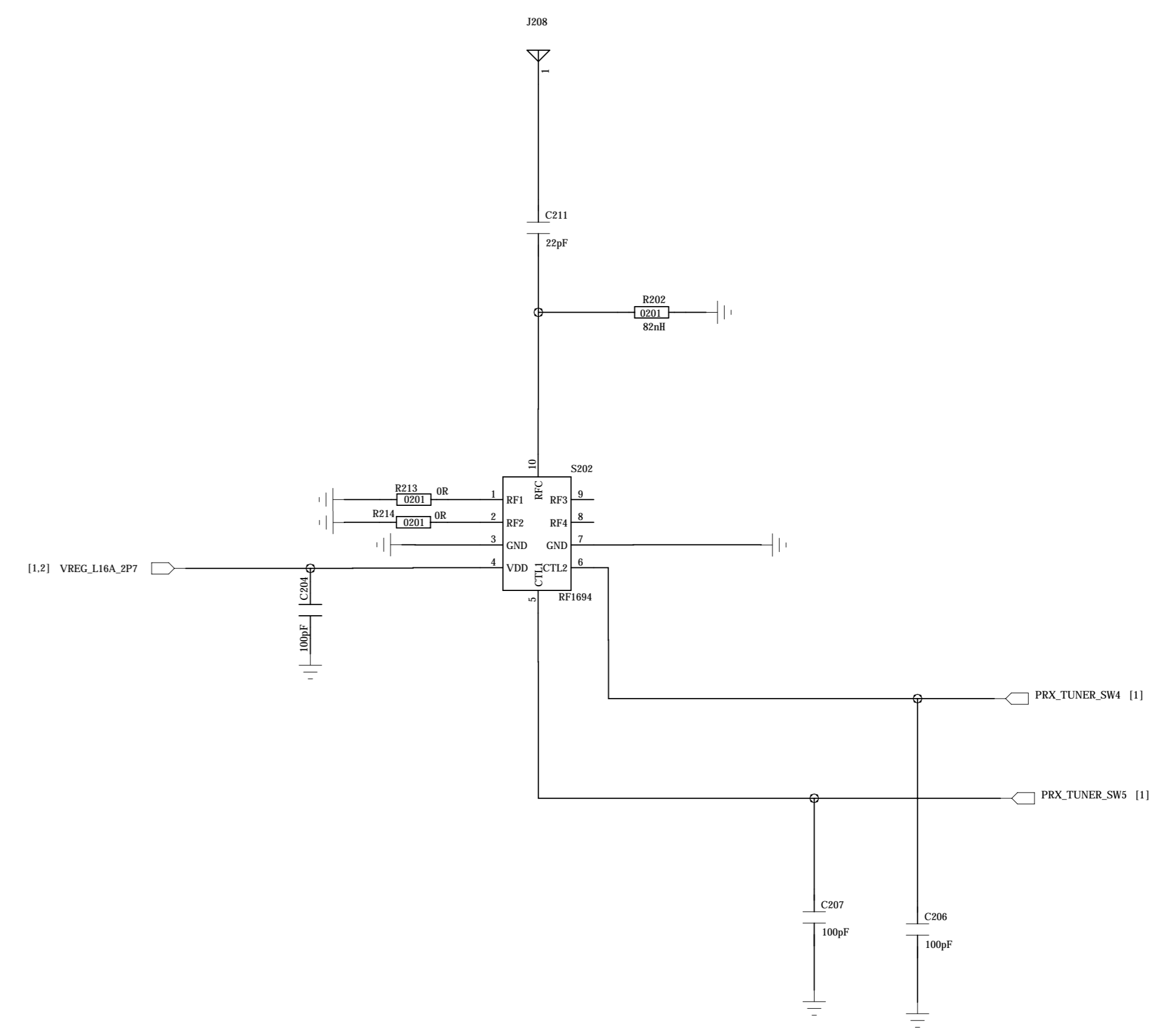
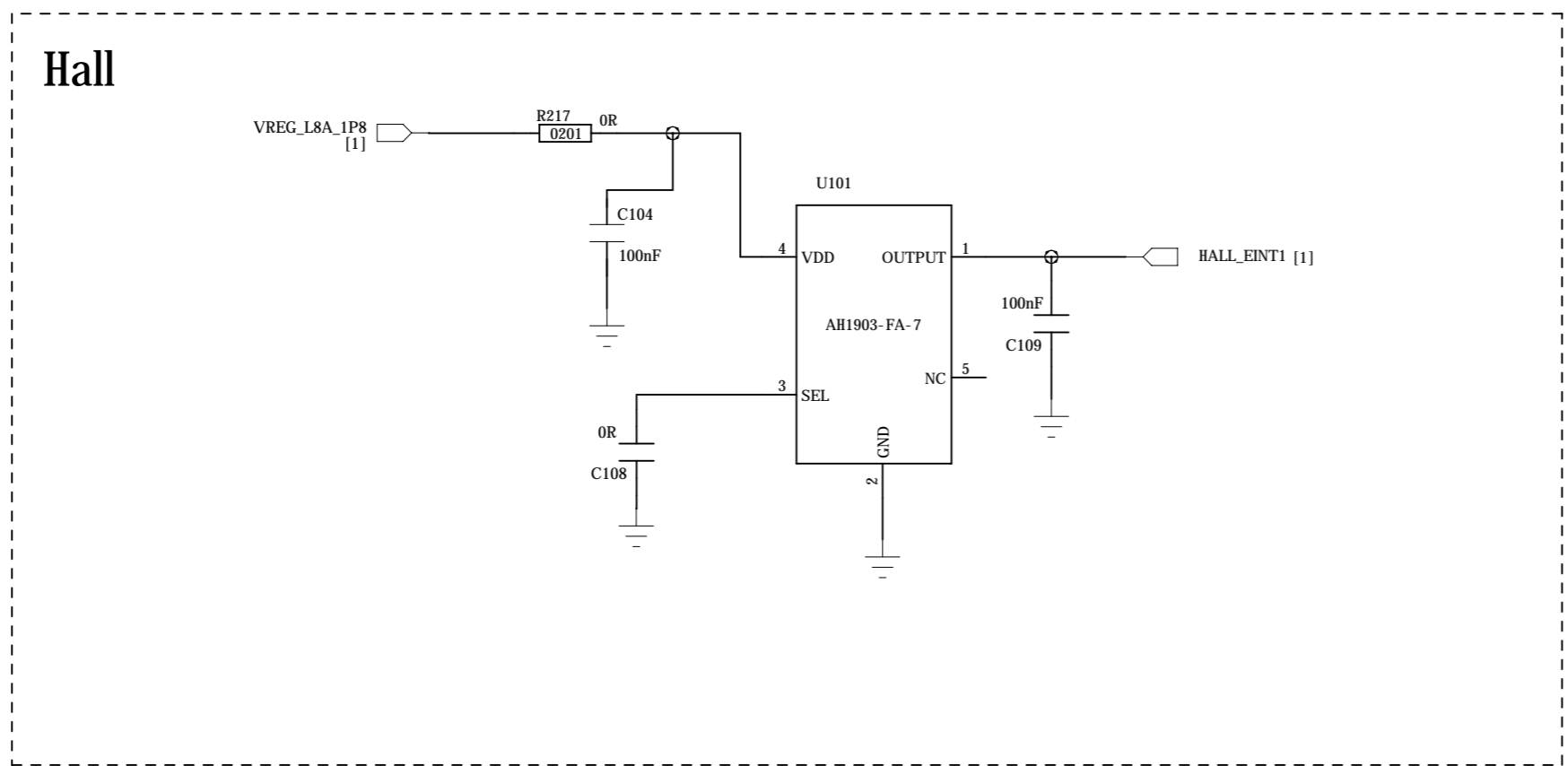


COMPANY: <Company Name>

TITLE: <Title>

| | | | | | |
|--------------------------|-----------------------|----------------|----------|------------------------------|-----------------|
| DRAWN: <Drawn By> | DATED: <Drawn Date> | CODE: <Code> | SIZE: A1 | DRAWING NO: <Drawing Number> | REV: <Revision> |
| CHECKED: <Checked By> | DATED: <Checked Date> | | | | |
| QUALITY CONTROL: <QC By> | DATED: <QC Date> | SCALE: <Scale> | | | SHEET: 1 of 2 |
| RELEASED: <Released By> | DATED: <Release Date> | | | | |

| REVISION RECORD | | | |
|-----------------|---------|-----------|-------|
| LTR | ECO NO: | APPROVED: | DATE: |
| | | | |
| | | | |
| | | | |



| | | | |
|--------------------------|-----------------------|---------------------------------------|---------------|
| COMPANY: <Company Name> | | | |
| TITLE: <Title> | | | |
| DRAWN: <Drawn By> | DATED: <Drawn Date> | CODE: <Code> | SIZE: A1 |
| CHECKED: <Checked By> | DATED: <Checked Date> | DRAWING NO: <Drawing Number>Revision> | |
| QUALITY CONTROL: <QC By> | DATED: <QC Date> | SCALE: <Scale> | SHEET: 2 of 2 |
| RELEASED: <Released By> | DATED: <Release Date> | | |

| REVISION RECORD | | | |
|-----------------|---------|----------|------|
| LT# | ECO NO. | APPROVED | DATE |
| | | | |
| | | | |
| | | | |

SDM660 GPIO Configuration For Starlord

| | | | | | |
|---------|--------------------|---------|-------------------------|----------|---|
| GPIO_0 | BLSPI_SPL_MOSI_1 | GPIO_42 | NC | GPIO_84 | UIM2_CLK |
| GPIO_1 | BLSPI_SPL_MISO_1 | GPIO_43 | NC | GPIO_85 | UIM2_RESET |
| GPIO_2 | BLSPI_SPL_CS1_N_1 | GPIO_44 | NC | GPIO_86 | UIM2_PRESENT |
| GPIO_3 | BLSPI_SPL_CLK_1 | GPIO_45 | NC | GPIO_87 | UIM1_DATA |
| GPIO_4 | BLSPI_UART_TX_2 | GPIO_46 | CAM0_RST_N | GPIO_88 | UIM1_CLK |
| GPIO_5 | BLSPI_UART_RX_2 | GPIO_47 | CAM1_RST_N | GPIO_89 | UIM1_RESET |
| GPIO_6 | BLSPI_I2C_SDA_2 | GPIO_48 | CAM2_RST_N | GPIO_90 | UIM1_PRESENT |
| GPIO_7 | BLSPI_I2C_SCL_2 | GPIO_49 | NC | GPIO_91 | UIM_BATT_ALARM |
| GPIO_8 | BLSPI_SPL_MOSI_3 | GPIO_50 | CAM_AVDD_EN | GPIO_92 | GRFC_0 |
| GPIO_9 | BLSPI_SPL_MISO_3 | GPIO_51 | CAM_AVDD_EN | GPIO_93 | NC |
| GPIO_10 | BLSPI_SPL_CS_N_3 | GPIO_52 | NC | GPIO_94 | NC |
| GPIO_11 | BLSPI_SPL_CLK_3 | GPIO_53 | LCD0_RESET_N | GPIO_95 | NC |
| GPIO_12 | NC | GPIO_54 | SD_CARD_DET_N | GPIO_96 | WDOG_DISABLE |
| GPIO_13 | NC | GPIO_55 | DP_EN_N | GPIO_97 | NC |
| GPIO_14 | BLSPI_I2C_SDA_4 | GPIO_56 | USBC_ORIENTATION | GPIO_98 | NC |
| GPIO_15 | BLSPI_I2C_SCL_4 | GPIO_57 | FORCED_USB_BOOT | GPIO_99 | QLINK_REQUEST |
| GPIO_16 | BLSPI_UART_TX_5 | GPIO_58 | USB_PHY_PS | GPIO_100 | QLINK_ENABLE |
| GPIO_17 | BLSPI_UART_RX_5 | GPIO_59 | MDP_VSYNC_P | GPIO_101 | RFFE1_DATA - WTR6955 debug |
| GPIO_18 | BLSPI_UART_CTS_N_5 | GPIO_60 | NC | GPIO_102 | RFFE1_CLK - WTR6955 debug |
| GPIO_19 | BLSPI_UART_RFR_N_5 | GPIO_61 | NC | GPIO_103 | RFFE2_DATA - (42)QFE2101 ch0, (43)QFE4360 |
| GPIO_20 | FP_SUB_RESET | GPIO_62 | NC | GPIO_104 | RFFE2_CLK - (42)QFE2101 ch0, (43)QFE4360 |
| GPIO_21 | SMB_STAT | GPIO_63 | NC | GPIO_105 | NC |
| GPIO_22 | BLSPI_I2C_SDA_6 | GPIO_64 | NC | GPIO_106 | NC |
| GPIO_23 | BLSPI_I2C_SCL_6 | GPIO_65 | NC | GPIO_107 | RFFE4_DATA - (53)QAT3514, (53)QAT3550 |
| GPIO_24 | NC | GPIO_66 | TS_RESET_N | GPIO_108 | RFFE4_CLK - (53)QAT3514, (53)QAT3550 |
| GPIO_25 | NC | GPIO_67 | TS_INT_N | GPIO_109 | RFFE5_DATA |
| GPIO_26 | WSA_SPKR_SD_N_1 | GPIO_68 | ACC_GYRO_DATA_AVA_INT_N | GPIO_110 | RFFE5_CLK |
| GPIO_27 | WSA_SPKR_SD_N_2 | GPIO_69 | ACC_GYRO_MOT_INT_N | GPIO_111 | RFFE6_DATA |
| GPIO_28 | NFC_IRQ | GPIO_70 | MAG_INT_N | GPIO_112 | RFFE6_CLK |
| GPIO_29 | NFC_EN | GPIO_71 | ALSP_INT_N | GPIO_113 | NC |
| GPIO_30 | NFC_DWL_REQ | GPIO_72 | FP_INT_N_1 | SSC_0 | LPL_SPL_1_CS1_N |
| GPIO_31 | NFC_ESE_PWR_REQ | GPIO_73 | NC | SSC_1 | LPL_PWR_EN |
| GPIO_32 | CAM_MCLK0 | GPIO_74 | NC | SSC_2 | LPL_I2C_3_SDA |
| GPIO_33 | CAM_MCLK1 | GPIO_75 | NC | SSC_3 | LPL_I2C_3_SCL |
| GPIO_34 | CAM_MCLK2 | GPIO_76 | NC | SSC_4 | LPL_SPL_2_CS_N |
| GPIO_35 | | GPIO_77 | AUDIO_USBC_EN2_N | SSC_5 | LPL_SPL_2_CLK |
| GPIO_36 | CCI_I2C_SDA0 | GPIO_78 | WMSS_RESETN | SSC_6 | LPL_SPL_2_MOSI |
| GPIO_37 | CCI_I2C_SCL0 | GPIO_79 | PWM_CNTRL | SSC_7 | LPL_SPL_2_MISO |
| GPIO_38 | CCI_I2C_SDA1 | GPIO_80 | AUDIO_USBC_EN1 | SSC_8 | LPL_SPL_1_CS_N |
| GPIO_39 | CCI_I2C_SCL1 | GPIO_81 | MSS_LTE_COXM_TXD | SSC_9 | LPL_SPL_1_CS_N |
| GPIO_40 | NC | GPIO_82 | MSS_LTE_COXM_RXD | SSC_10 | LPL_SPL_1_MOSI |
| GPIO_41 | FL_STROBE_TRIG | GPIO_83 | UIM2_DATA | SSC_11 | LPL_SPL_1_MISO |

| | |
|--------|------------------|
| SSC_12 | LPL_UART_1_TX |
| SSC_13 | LPL_UART_1_RX |
| SSC_14 | NC |
| SSC_15 | NC |
| SSC_16 | NC |
| SSC_17 | NC |
| SSC_18 | WCD_SDM_MCLK |
| SSC_19 | LPL_AUD_SB_CLK |
| SSC_20 | LPL_AUD_SB_DATA0 |
| SSC_21 | LPL_AUD_SB_DATA1 |
| SSC_22 | LPL_AUD_CDC_INT1 |
| SSC_23 | LPL_AUD_CDC_INT2 |
| SSC_24 | LPL_AUD_CDC_RSTN |
| SSC_25 | NC |
| SSC_26 | NC |
| SSC_27 | NC |
| SSC_29 | NC |
| SSC_30 | LPL_QCA_SB_CLK |
| SSC_31 | LPL_QCA_SB_DATA0 |

GROOT GPIO Configuration For Starlord

| | | | |
|--------|----------------|---------|-------------------|
| GPIO_1 | OPTION1 | GPIO_8 | SLB |
| GPIO_2 | DIV_CLK2 | GPIO_9 | uUSB_TYPEC |
| GPIO_3 | DIV_CLK1 | GPIO_10 | WCSS_VCTRL |
| GPIO_4 | NFC_CLK_REQ | GPIO_11 | HOMEKEY_FP_PM_INT |
| GPIO_5 | WLAN_SW_CTRL | GPIO_12 | WIPWR_MODE |
| GPIO_6 | SLP_CLK | GPIO_13 | PM_A_GPIO_13 |
| GPIO_7 | UIM_BATT_ALARM | | |

DRAX GPIO Configuration For Starlord

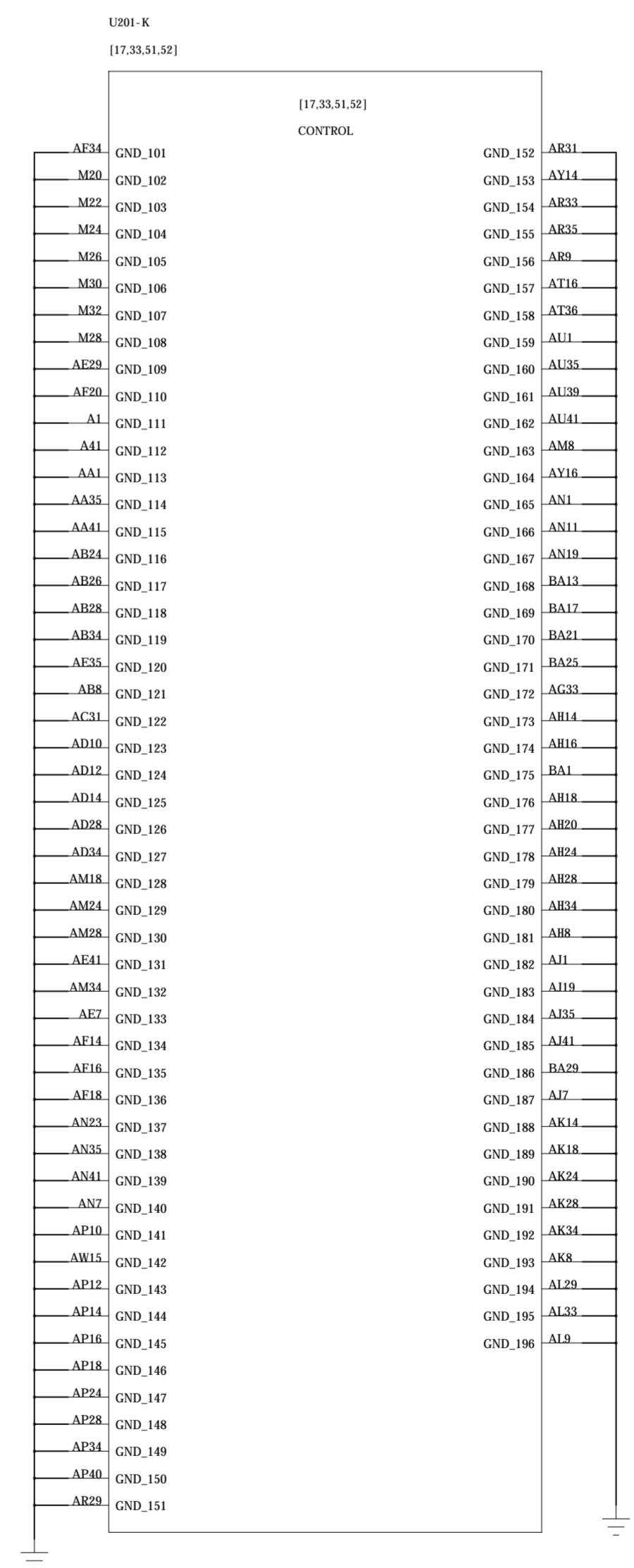
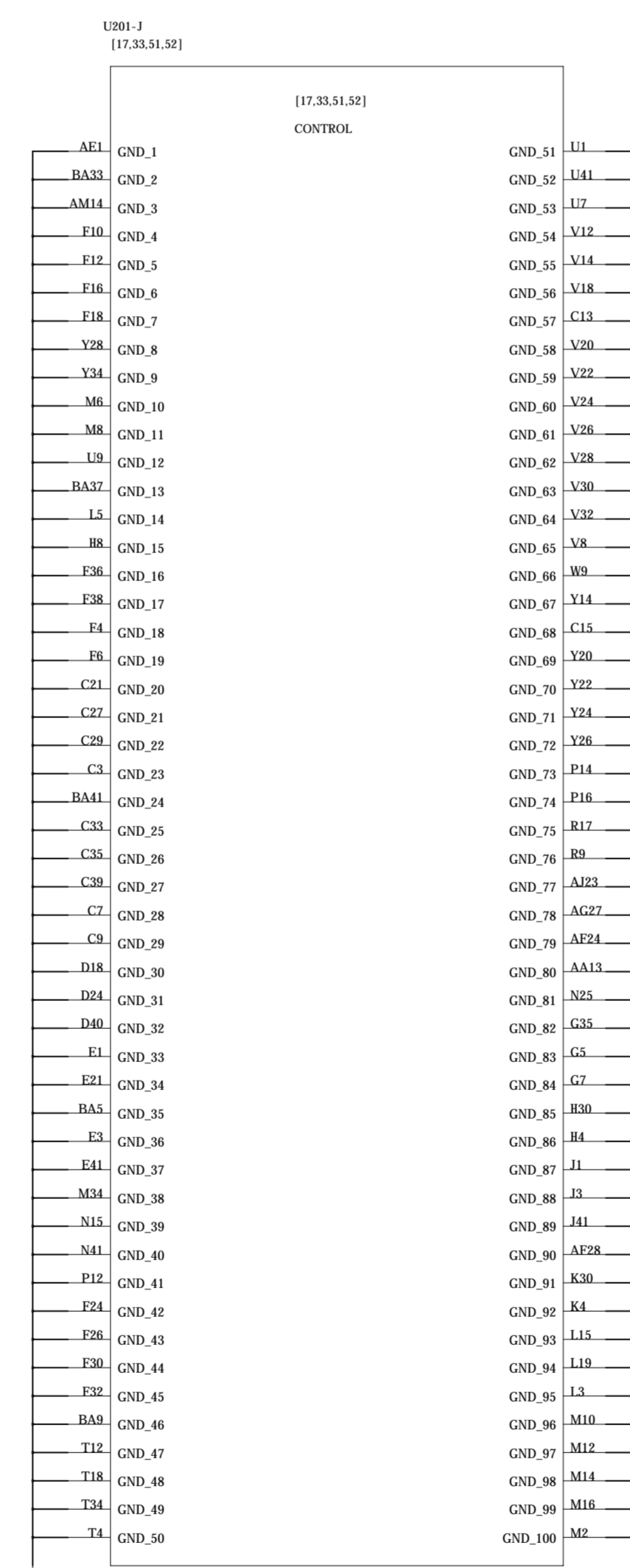
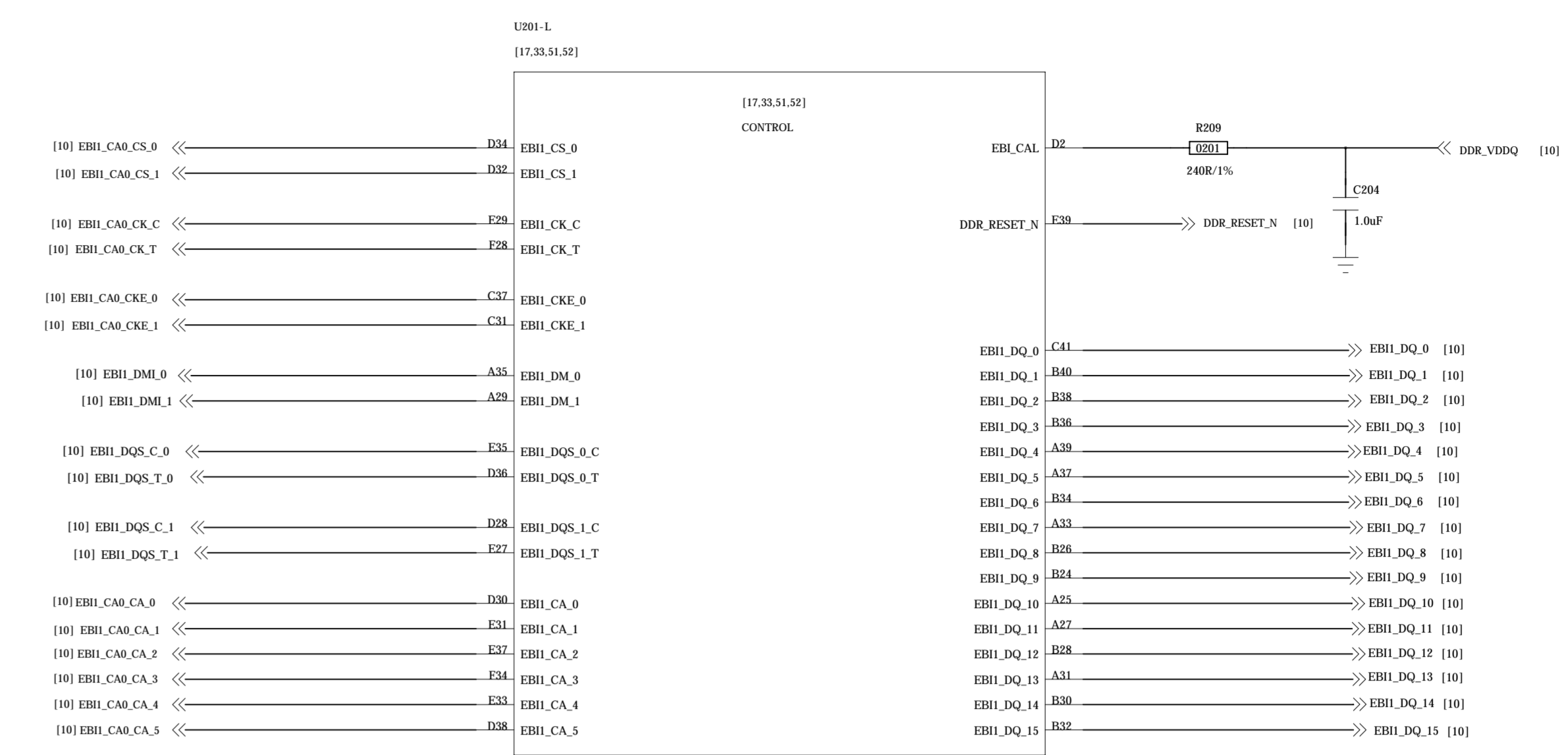
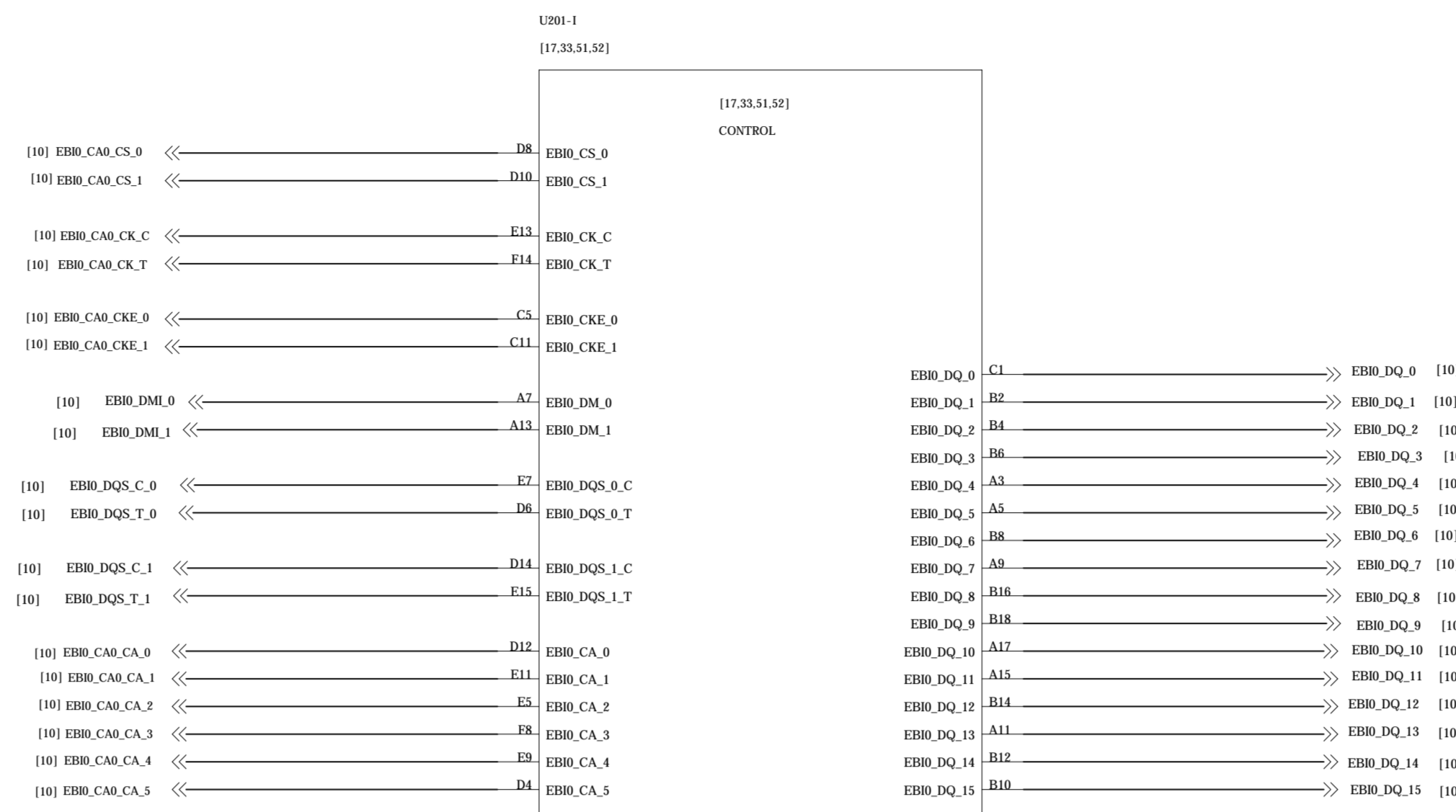
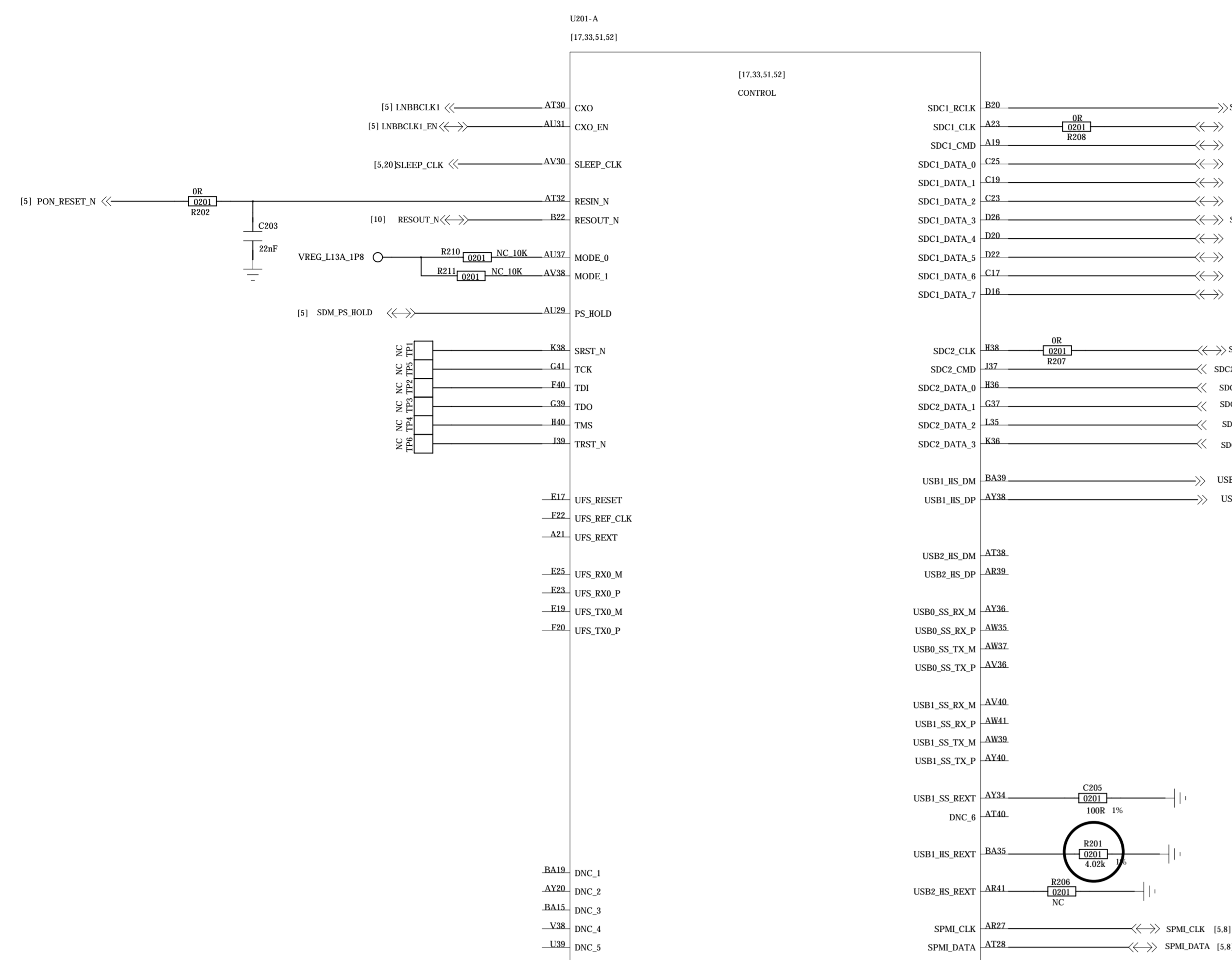
| | | | |
|--------|-------------------|---------|---------------|
| GPIO_1 | OPTION2 | GPIO_8 | SD_CARD_DET_N |
| GPIO_2 | LPL_PWR_EN | GPIO_9 | WCSS_VCTRL |
| GPIO_3 | FRONT_CAM_DVDD_EN | GPIO_10 | SLB |
| GPIO_4 | REAR_CAM_DVDD_EN | GPIO_11 | LP4x_CTRL |
| GPIO_5 | NC | GPIO_12 | LP4x_MODE |
| GPIO_6 | FP_VDD_EN | | |
| GPIO_7 | KEY_VOL_UP_N | | |

COMPANY: <Company Name>

TITLE: <Title>

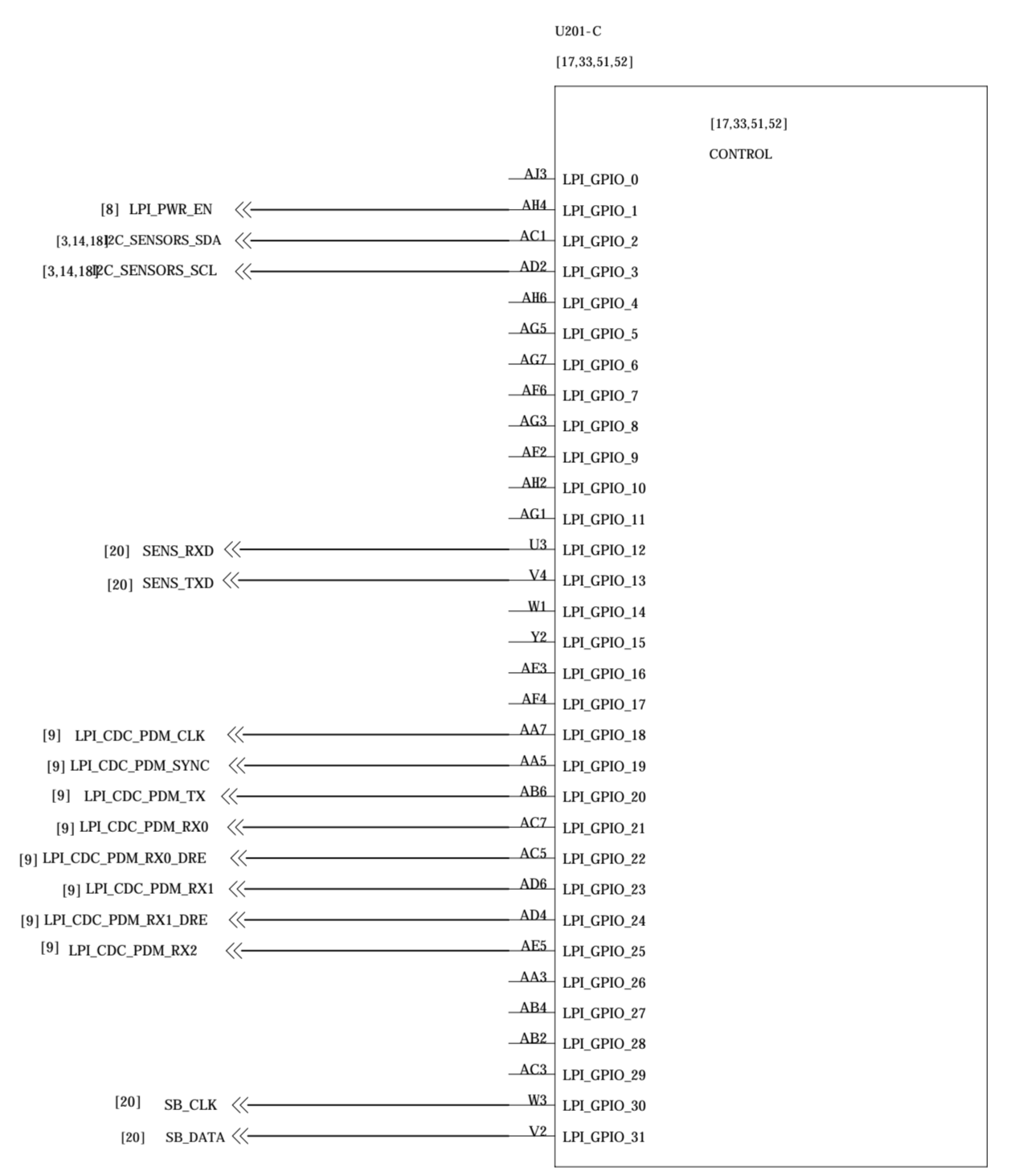
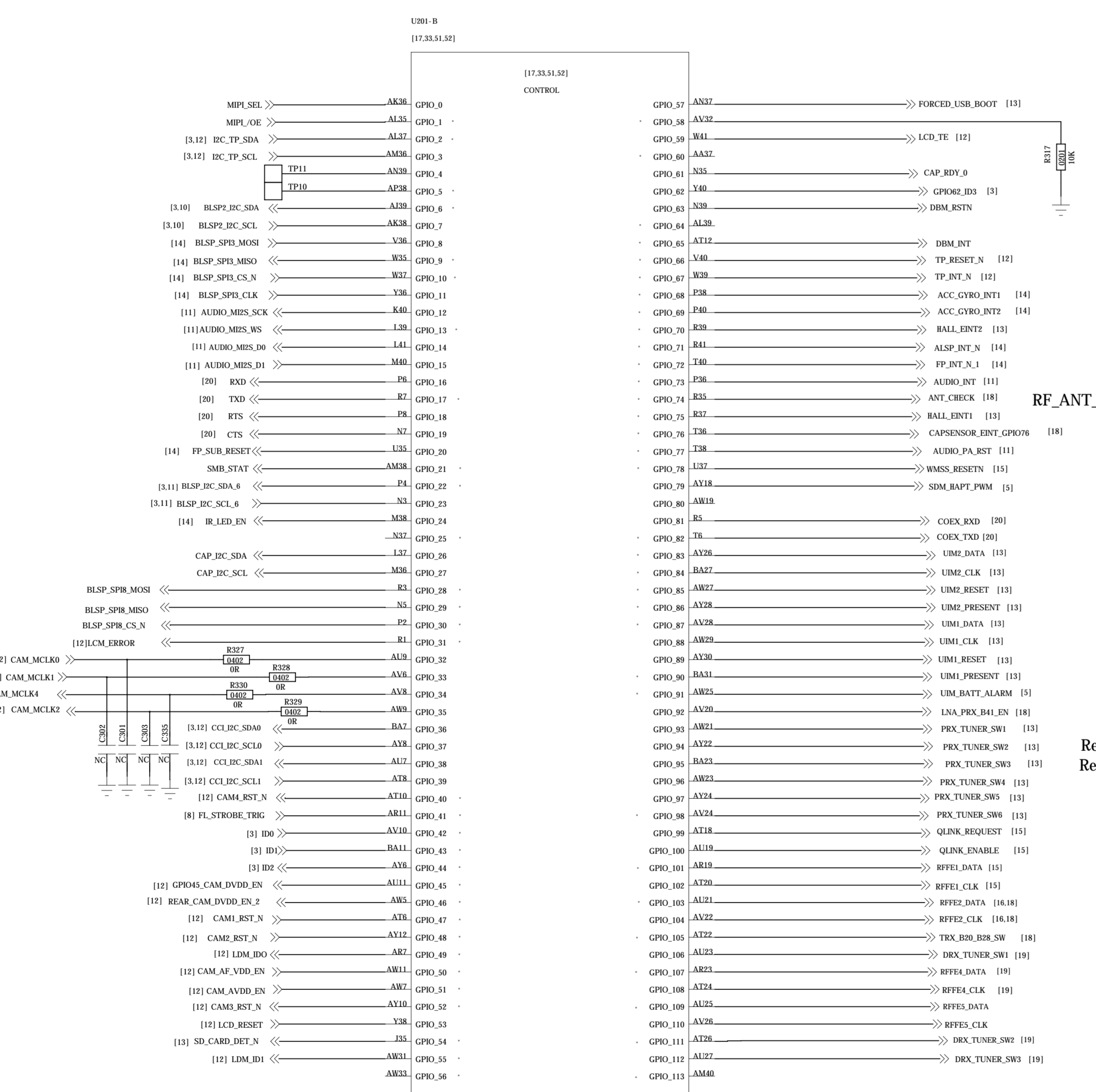
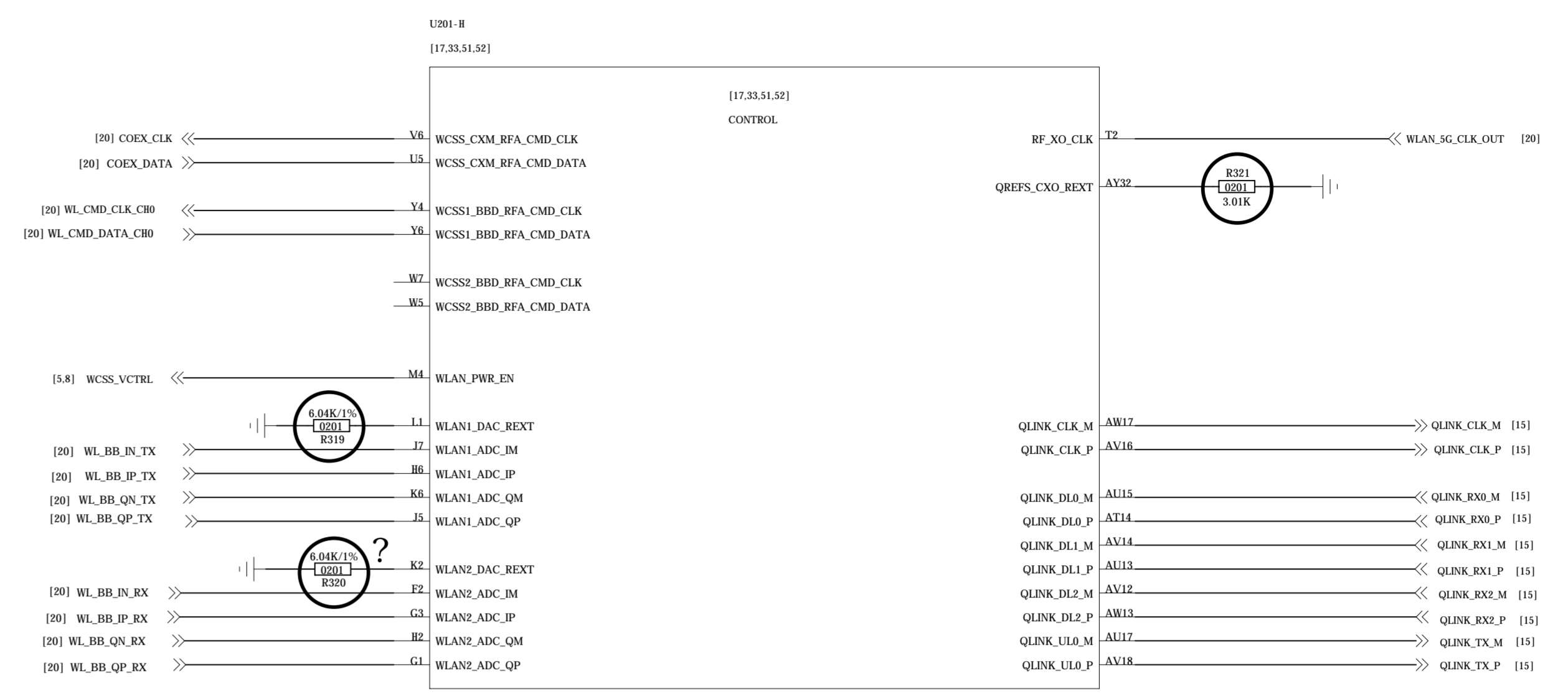
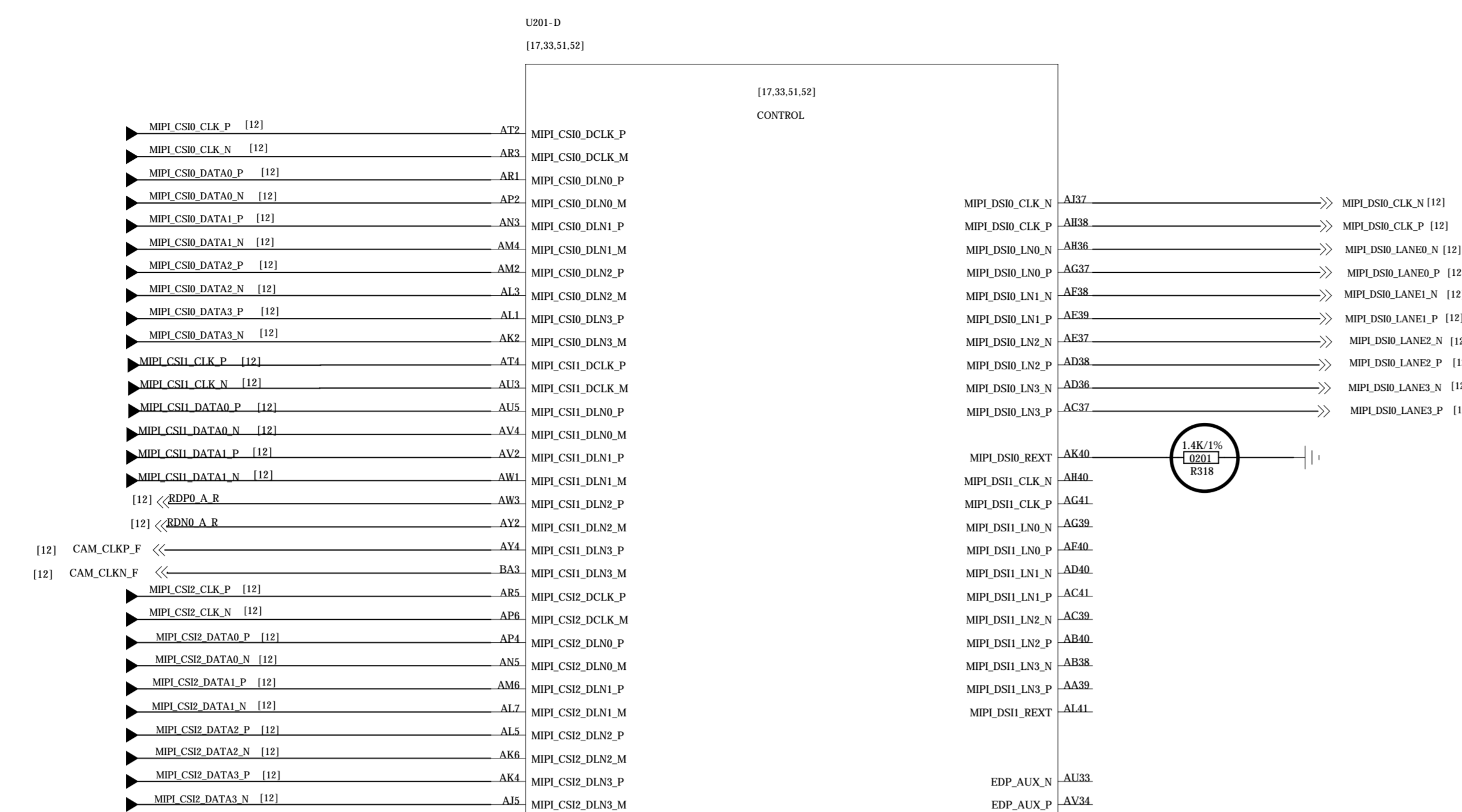
| | | | | | |
|--------------------------|----------------------|----------------|-------|----------------------------|------|
| DRAWN: <Drawn By> | DATE: <Drawn Date> | CODR: | SIZE: | DRAWING NO: | REV: |
| CHECKED: <Checked By> | DATE: <Checked Date> | | | | |
| QUALITY CONTROL: <QC By> | DATE: <QC Date> | <Code> | A0 | <Drawing Number><Revision> | |
| RELEASED: <Released By> | DATE: <Release Date> | SCALE: <Scale> | | SHEET 13 | 21 |

| REVISION RECORD | | | |
|-----------------|---------|----------|------|
| LT# | ECO NO. | APPROVER | DATE |
| | | | |
| | | | |
| | | | |



| | | | | |
|--------------------------|----------------------|-------------------------|----------|------------------------------|
| COMPANY: <Company Name> | | | | |
| TITLE: <Title> | | | | |
| DRAWN: <Drawn By> | DATE: <Drawn Date> | CODE: <Code> | SIZE: A0 | DRAWING NO: <Drawing Number> |
| CHECKED: <Checked By> | DATE: <Checked Date> | SCALE: <Scale> | REV: 21 | 21 |
| QUALITY CONTROL: <QC By> | DATE: <QC Date> | RELEASED: <Released By> | | |

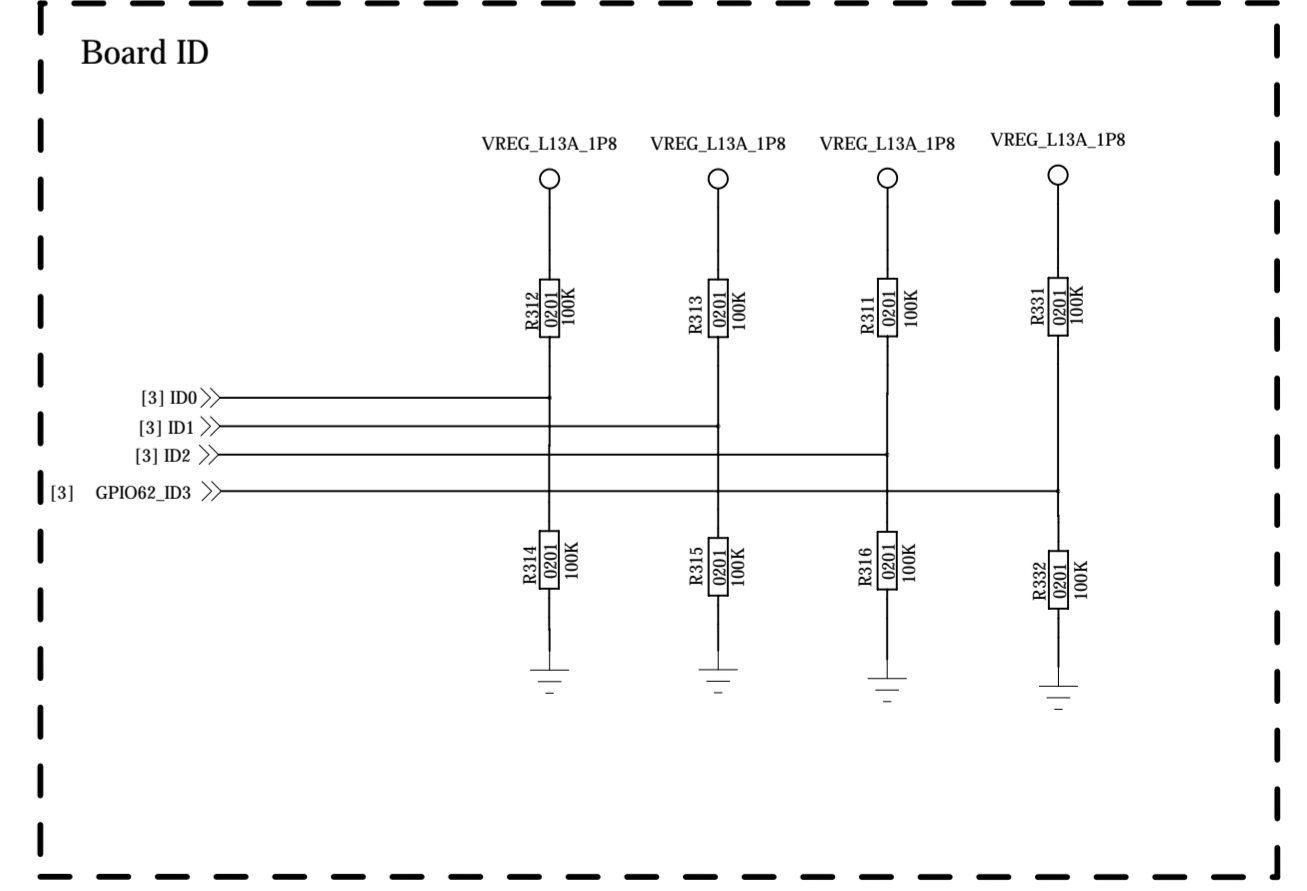
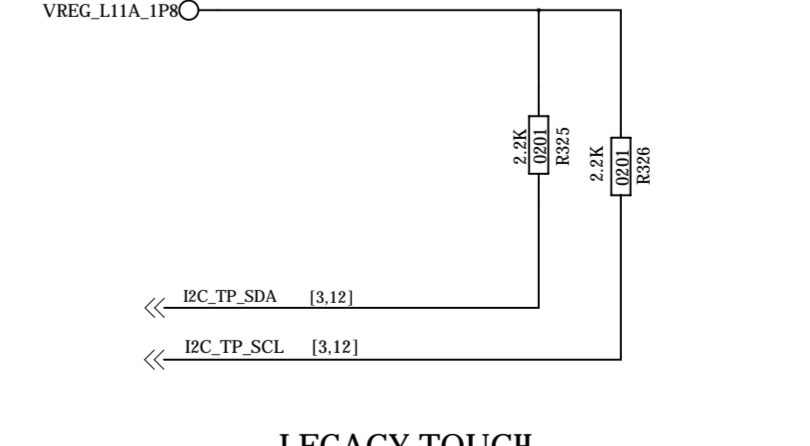
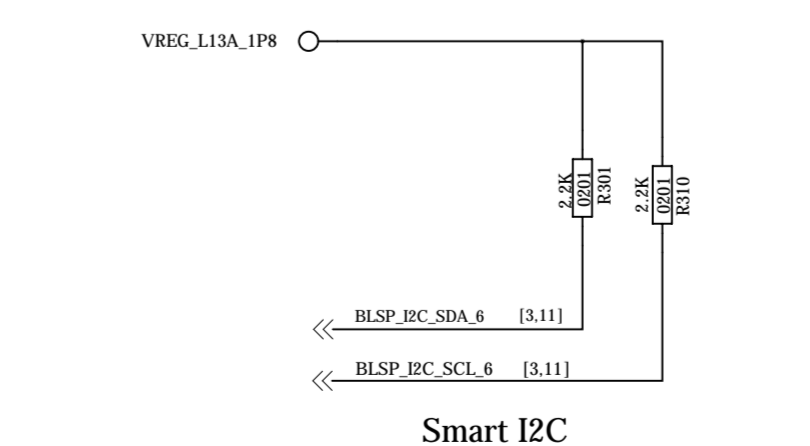
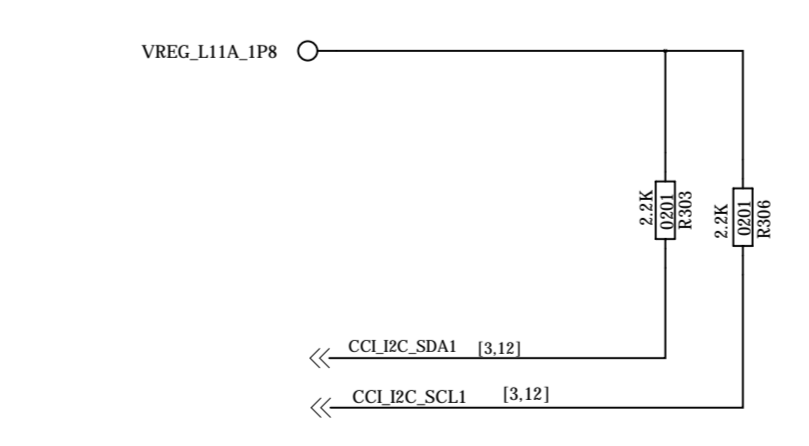
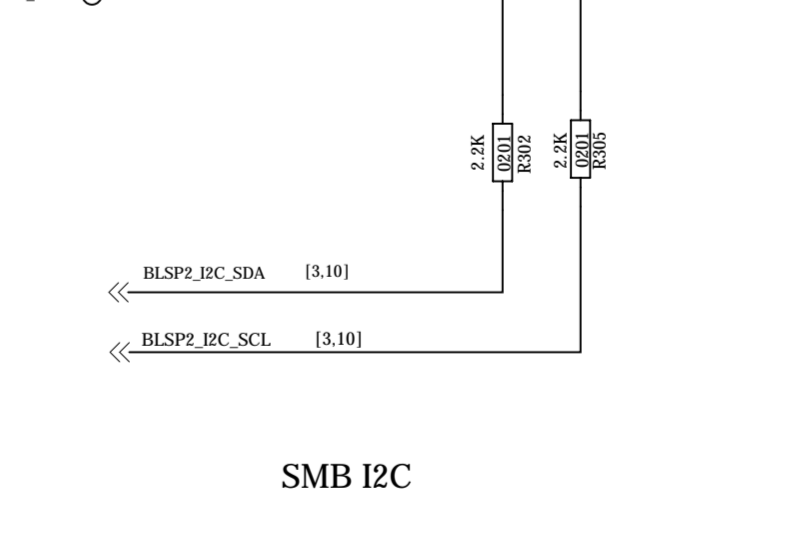
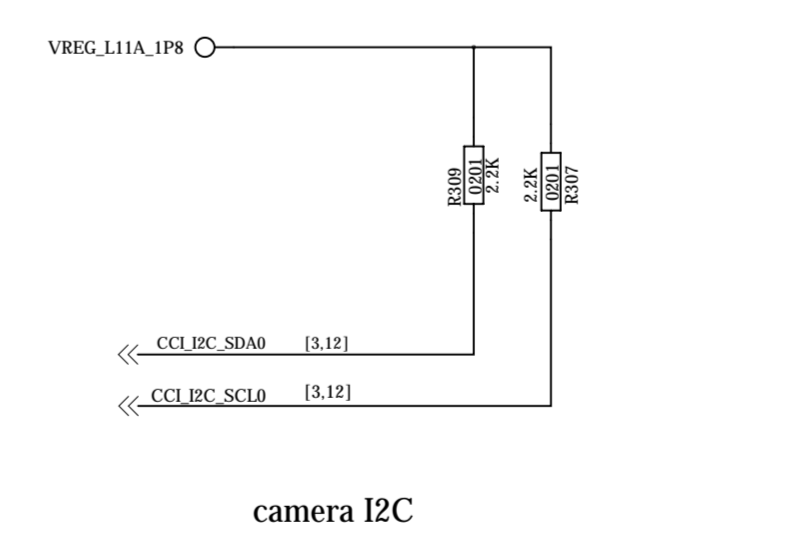
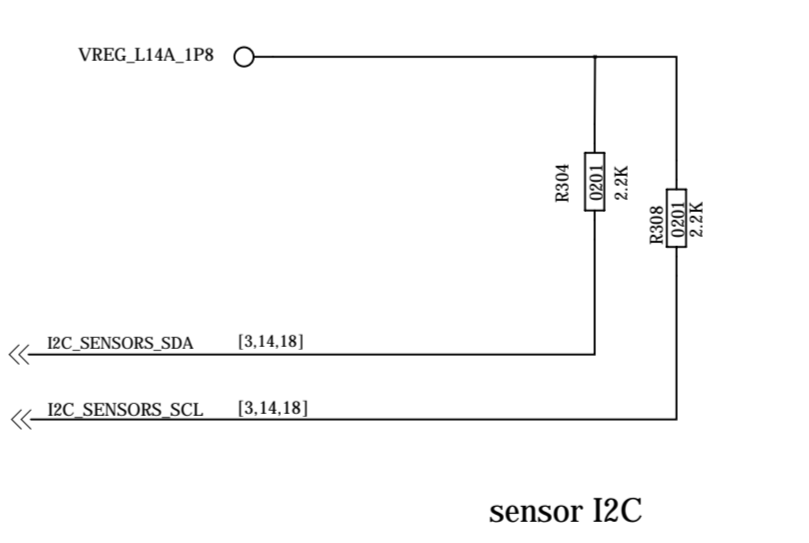
| REVISION RECORD | | | |
|-----------------|---------|----------|------|
| LTW | ECO NO. | APPROVED | DATE |
| | | | |
| | | | |



GPIO58 GND for uUSB.
PM660 39 pin for Type C

RF_ANT_CHECK

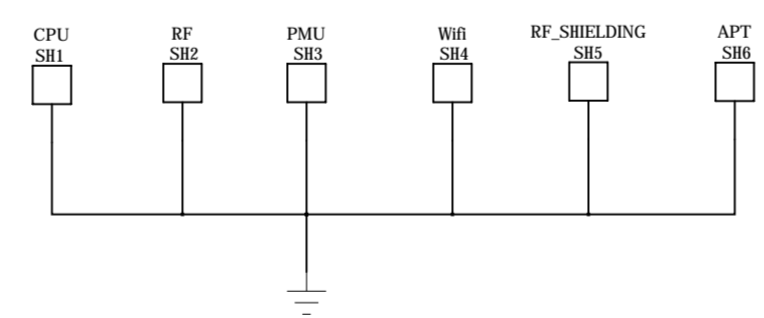
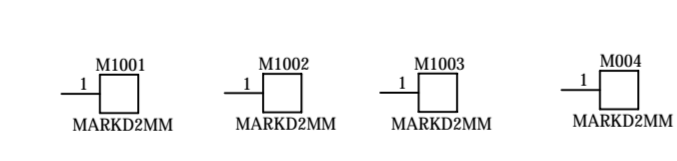
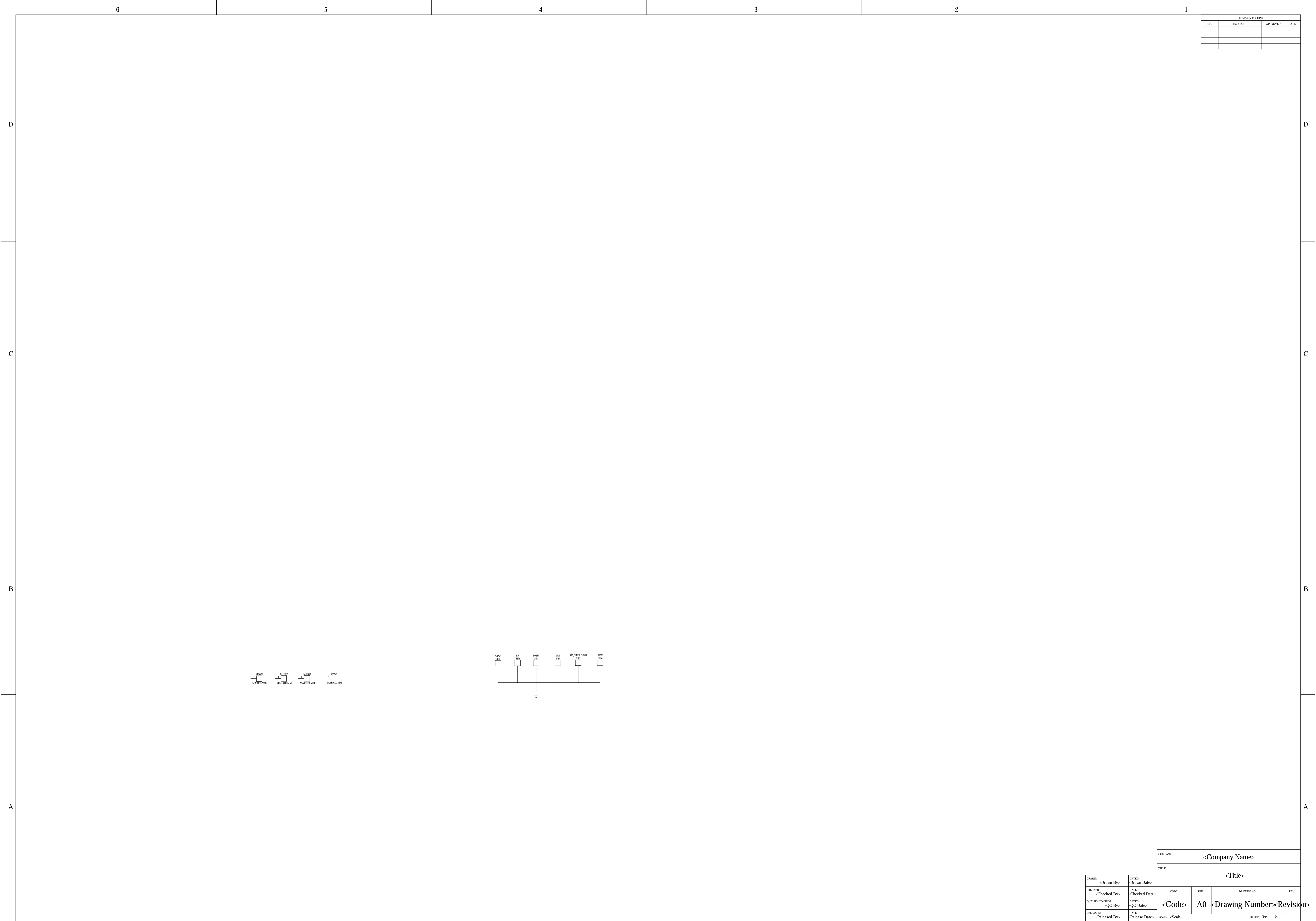
Reserved for main antenna tuner
Reserved for diversity antenna tuner



| | | | |
|-------------------------|------|------------------|------------|
| COMPANY: <Company Name> | | | |
| TITLE: <Title> | | | |
| CODE | SIZE | DRAWING NO. | REV. |
| <Code> | A0 | <Drawing Number> | <Revision> |
| SCALE: <Scale> | | SHEET: 3 of 21 | |

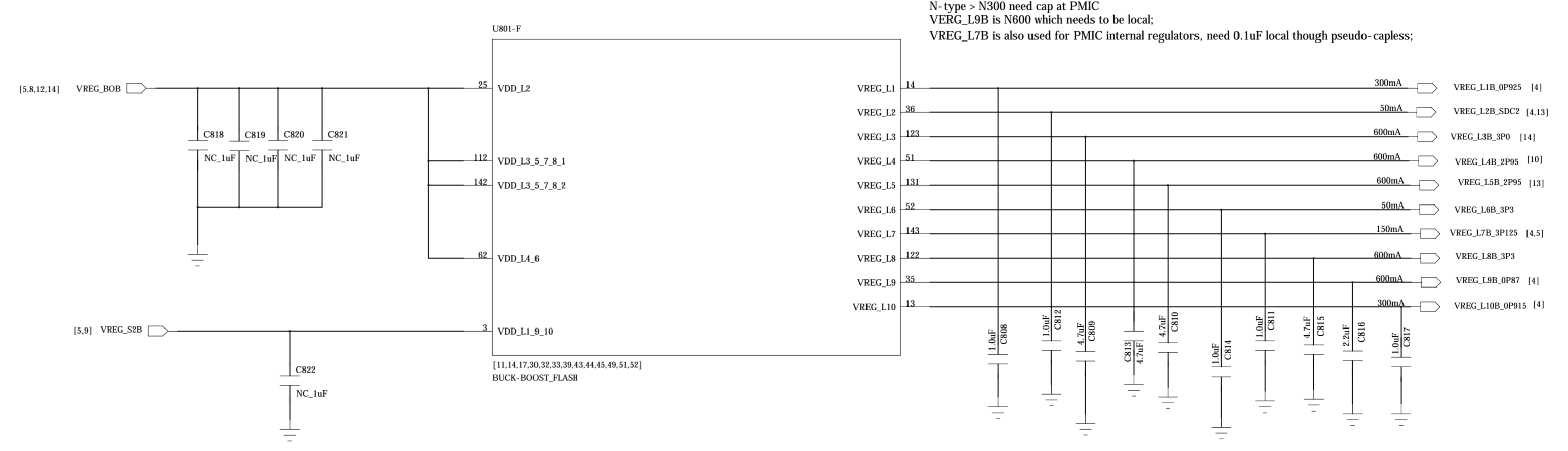
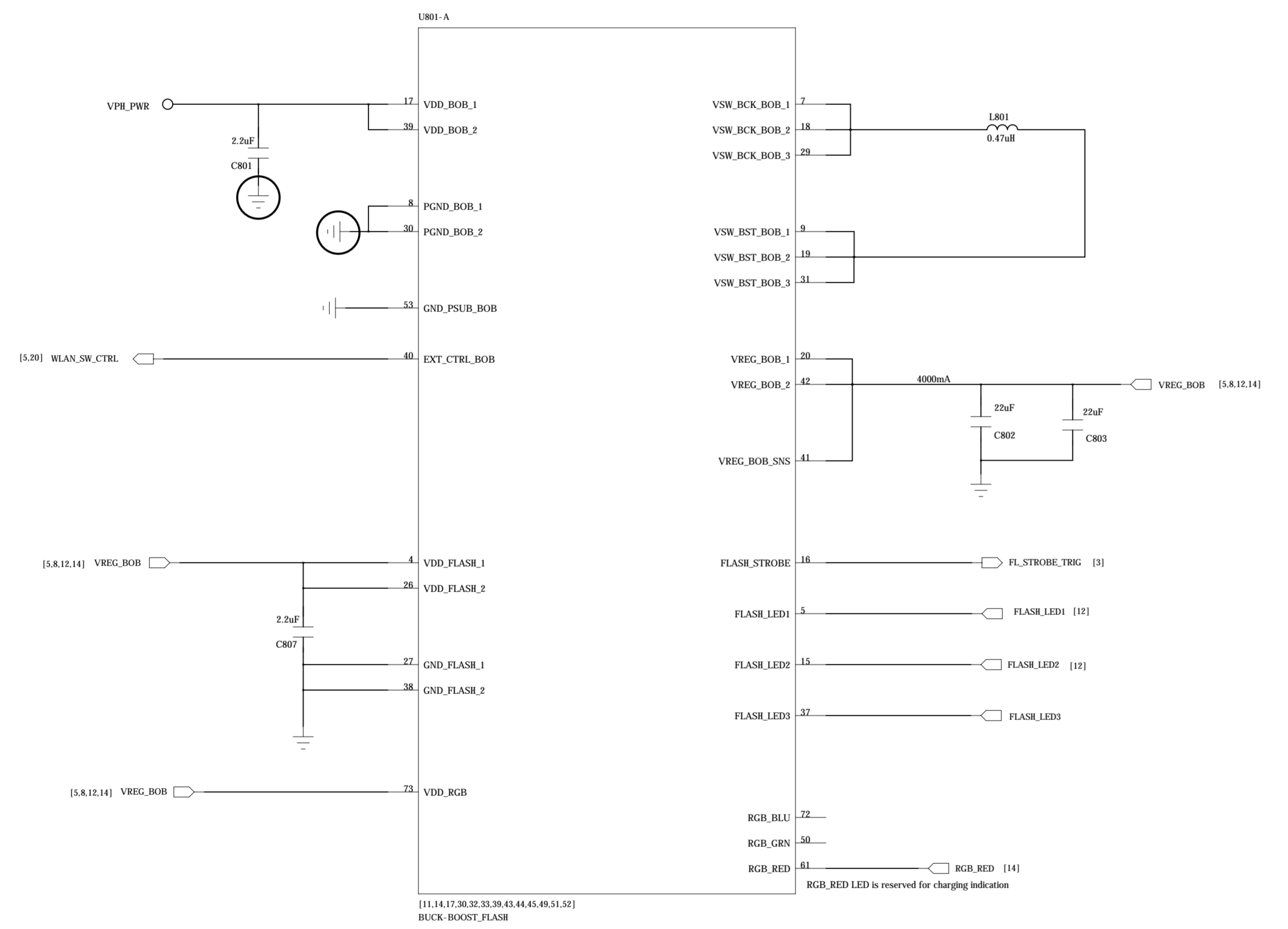
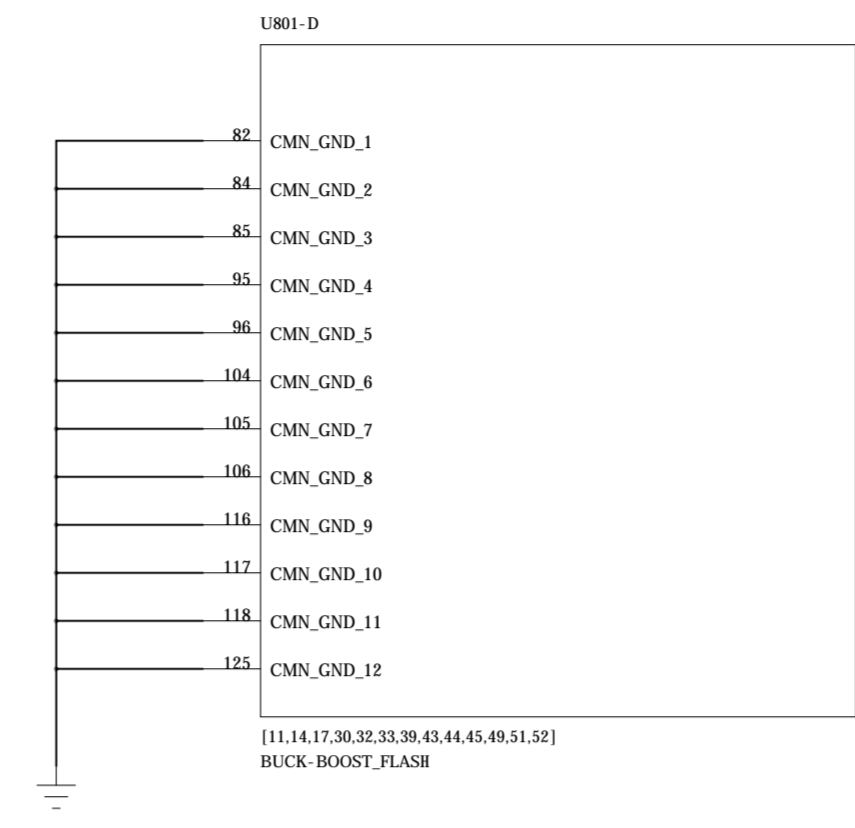
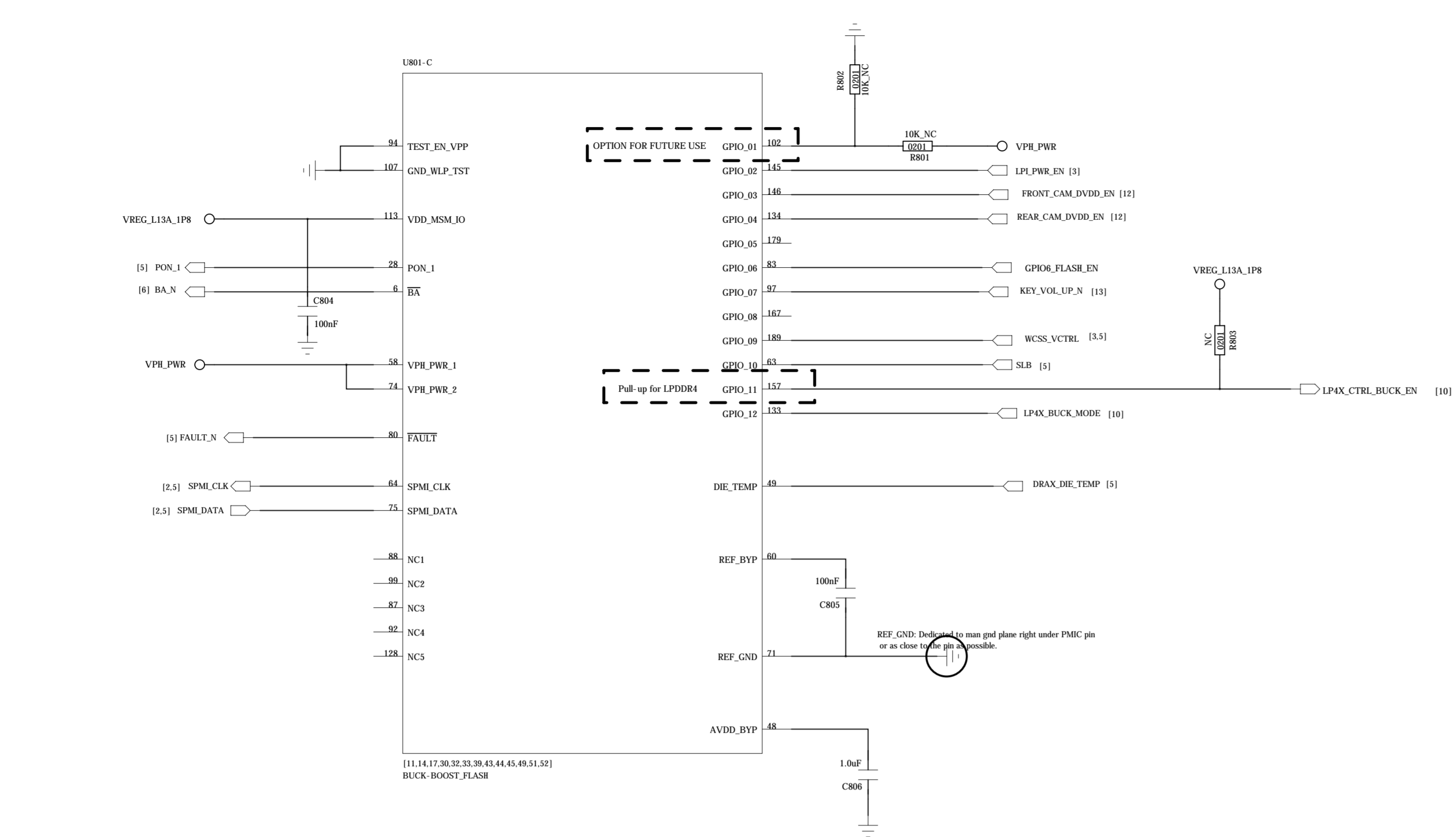
| | | | |
|-----------------|---------------|-------|----------------|
| DRAWN | <Drawn By> | DATED | <Drawn Date> |
| CHECKED | <Checked By> | DATED | <Checked Date> |
| QUALITY CONTROL | <QC By> | DATED | <QC Date> |
| RELEASED | <Released By> | DATED | <Release Date> |

| REVISION RECORD | | | |
|-----------------|---------|----------|------|
| LT# | ECO NO. | APPROVED | DATE |
| | | | |
| | | | |
| | | | |



| | | | | | | | |
|--------------------------|--|----------------------|--|-------------------------|----------|------------------------------|-----------------|
| DRAWN: <Drawn By> | | DATE: <Drawn Date> | | COMPANY: <Company Name> | | | |
| CHECKED: <Checked By> | | DATE: <Checked Date> | | TITLE: <Title> | | | |
| QUALITY CONTROL: <QC By> | | DATE: <QC Date> | | CODE: <Code> | SIZE: A0 | DRAWING NO: <Drawing Number> | REV: <Revision> |
| RELEASED: <Released By> | | DATE: <Release Date> | | SCALE: <Scale> | | SHEET: 7 of 21 | |

| REVISION RECORD | | | |
|-----------------|----------|-----------|-------|
| LT# | REV. NO. | APPROVED: | DATE: |
| | | | |
| | | | |
| | | | |

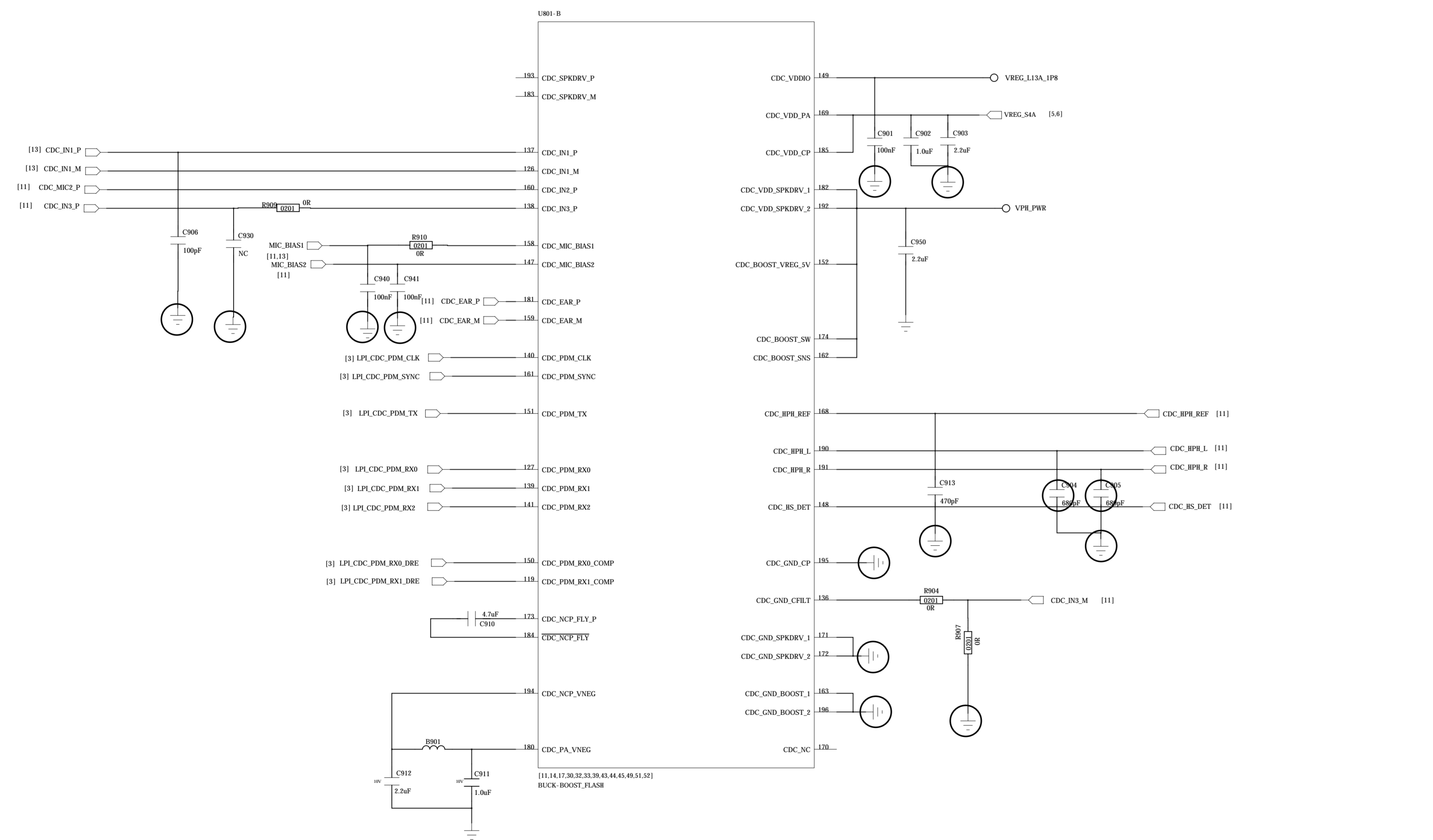
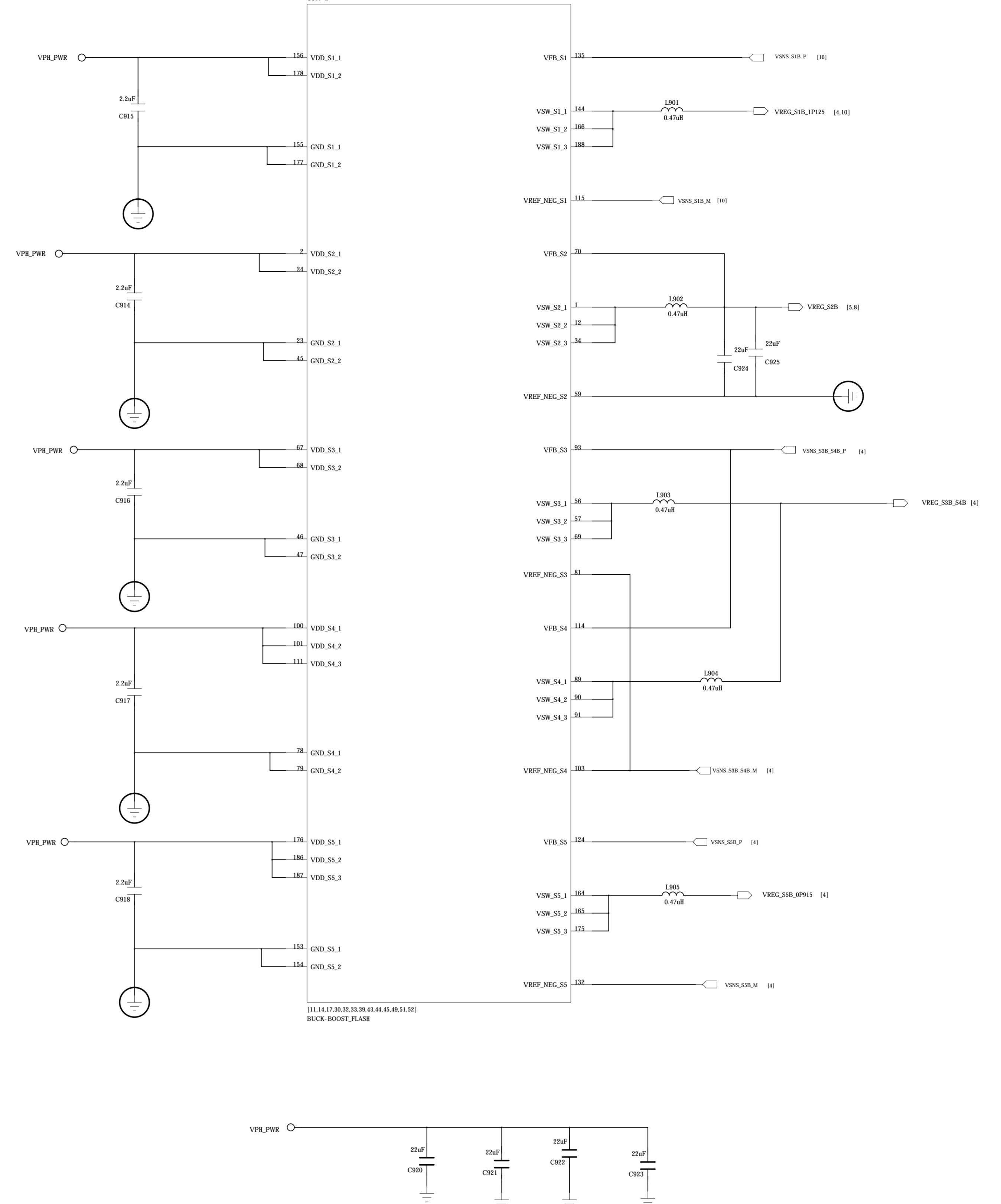
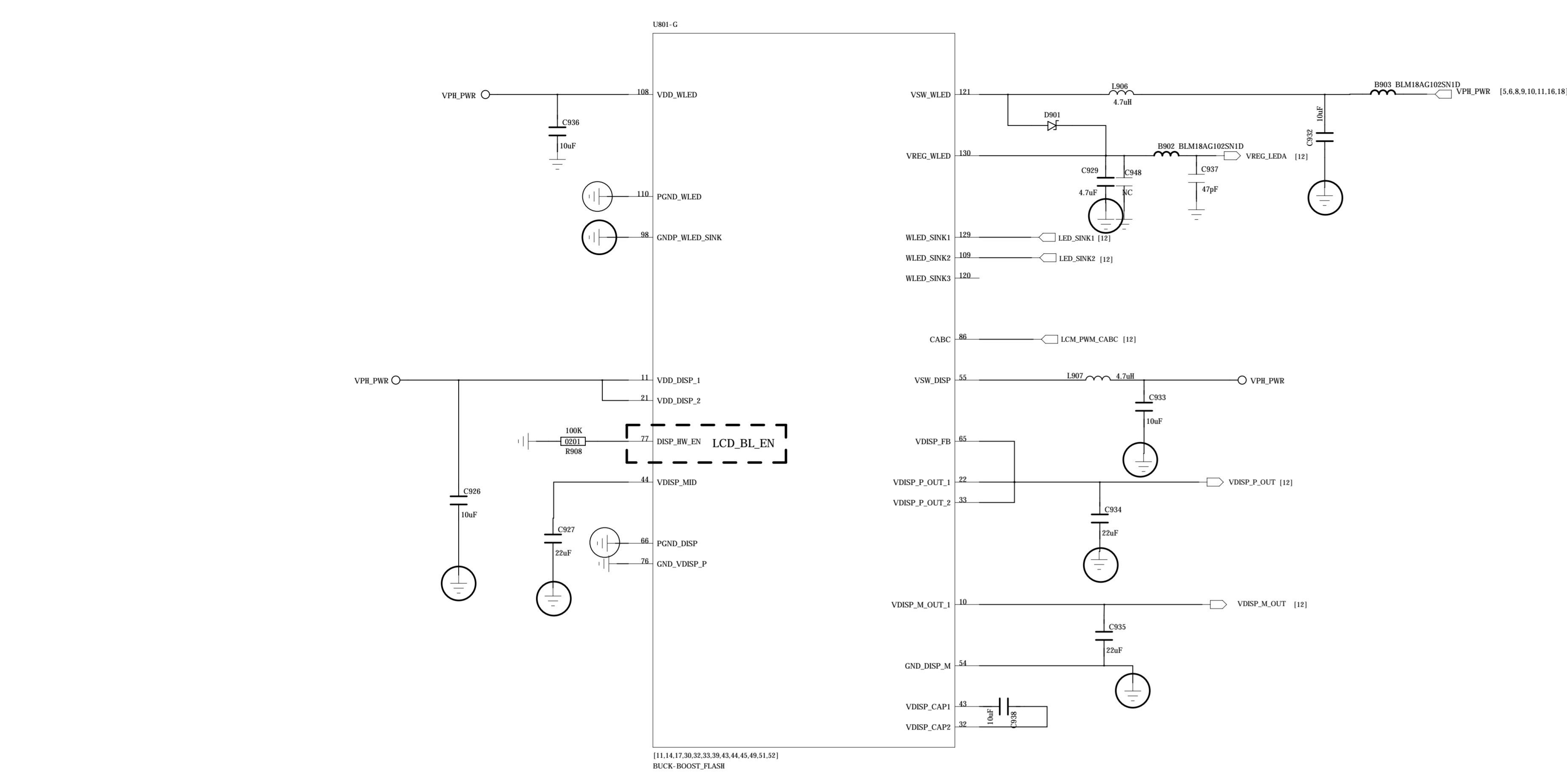


P-type are pseudo-caps, cap can be at load.
 Regulators used internal to PMIC need cap at PMIC.
 N-type - N300 need cap at PMIC.
 VREG_1,9B is N300 which needs to be local.
 VREG_1,1,7B is also used for PMIC internal regulators, need 0.1uF local though pseudo-caps:

- VREG_1,1 300mA
- VREG_1,2 500mA
- VREG_1,3 500mA
- VREG_1,4 500mA
- VREG_1,5 500mA
- VREG_1,6 500mA
- VREG_1,7 1500mA
- VREG_1,8 500mA
- VREG_1,9 500mA
- VREG_1,10 300mA

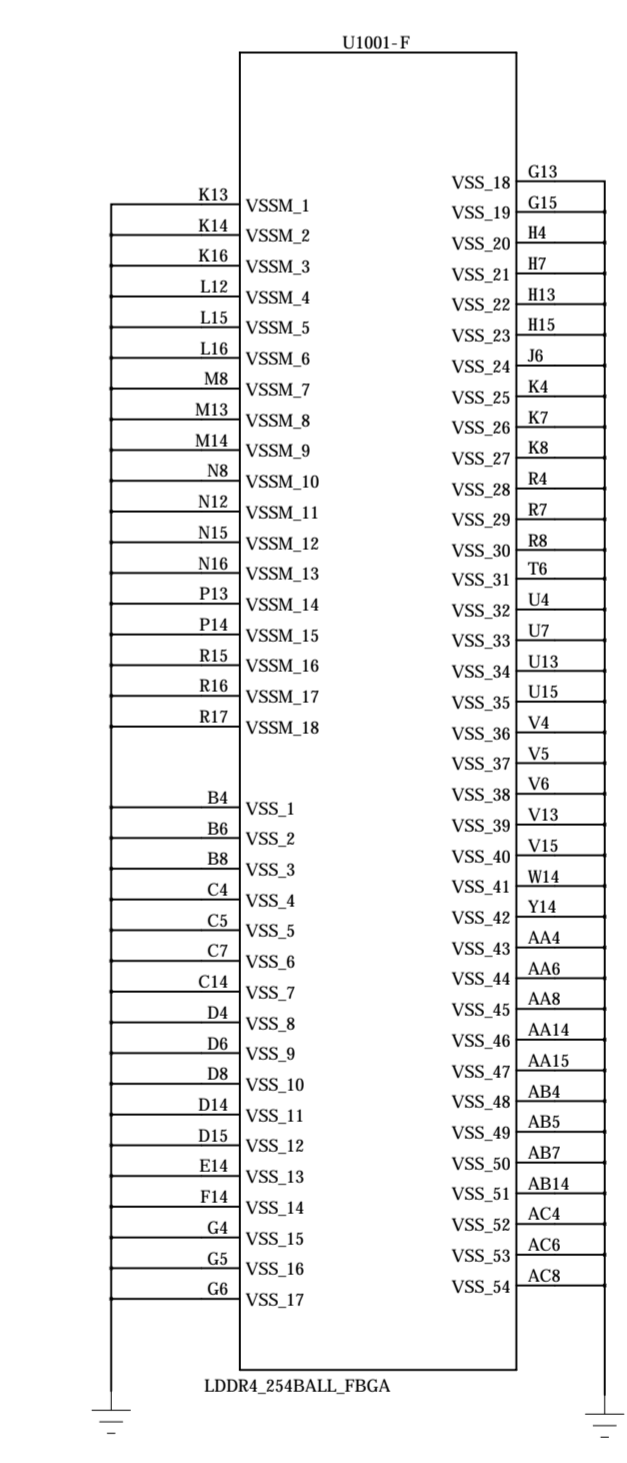
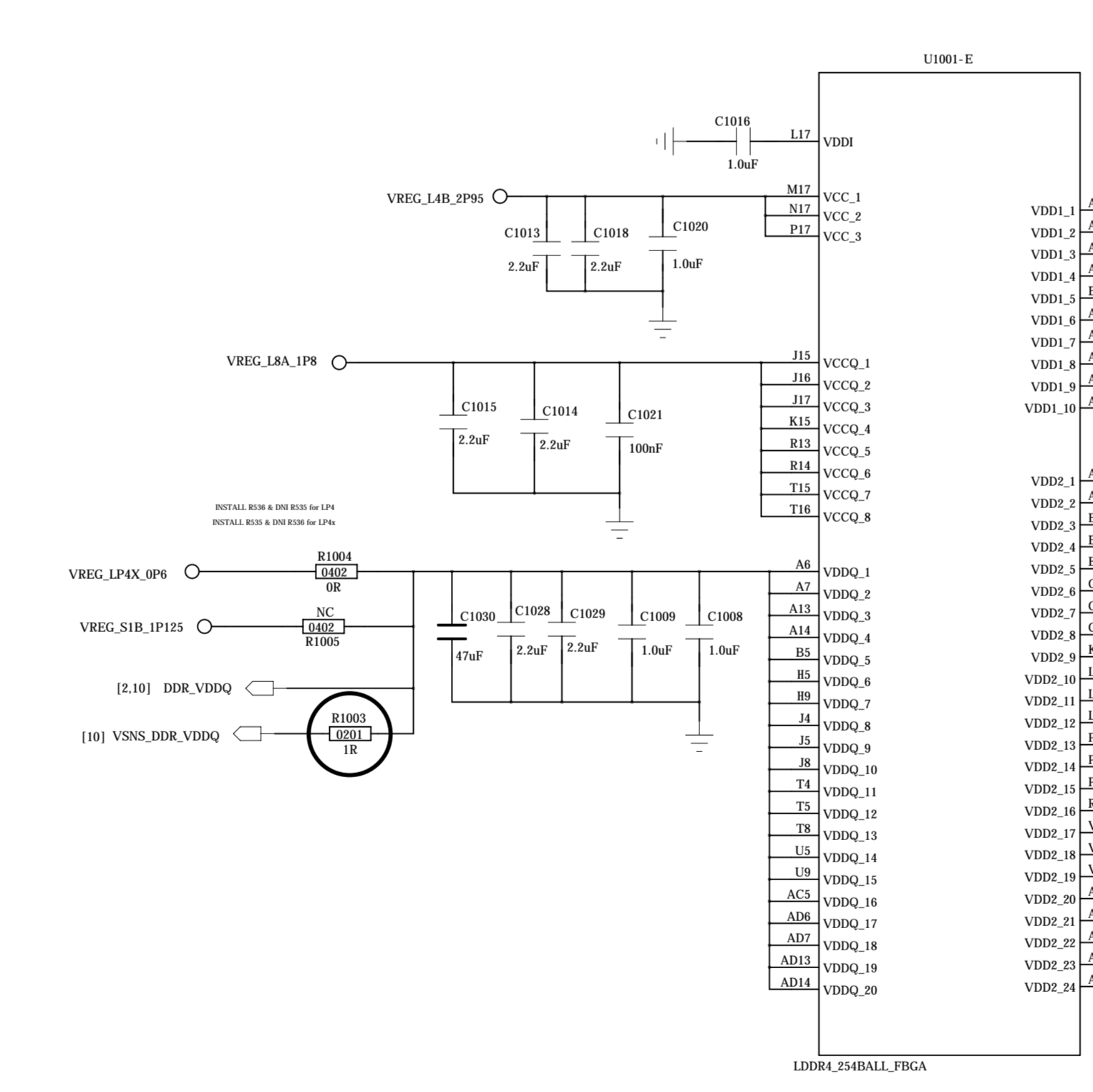
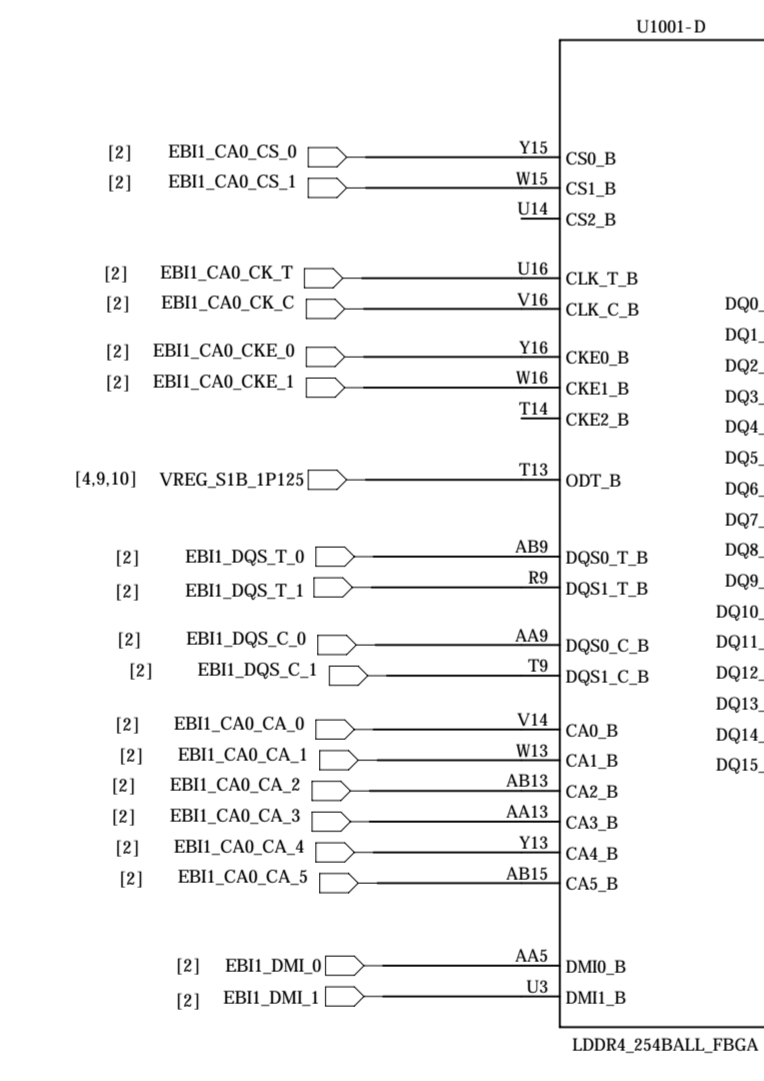
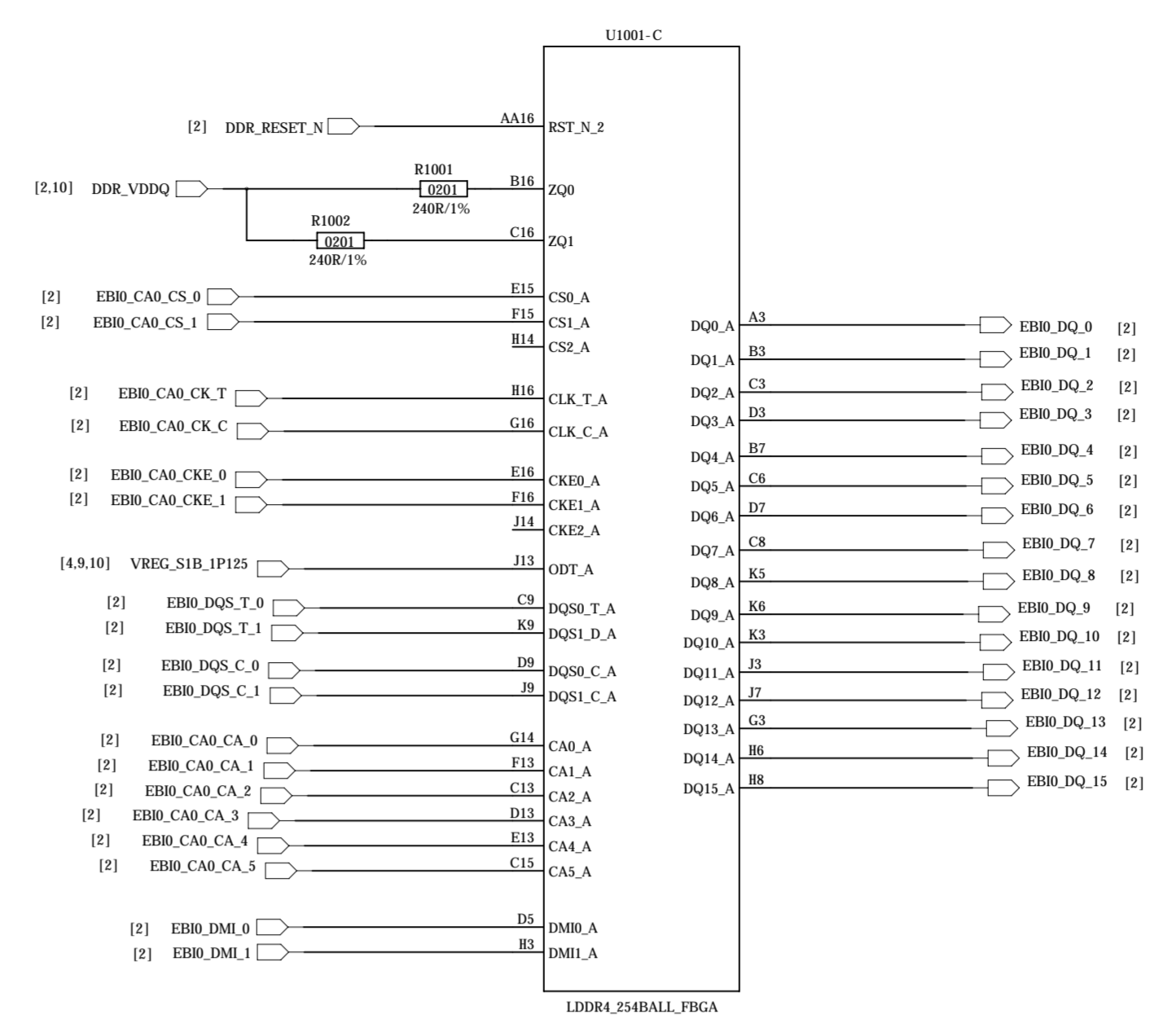
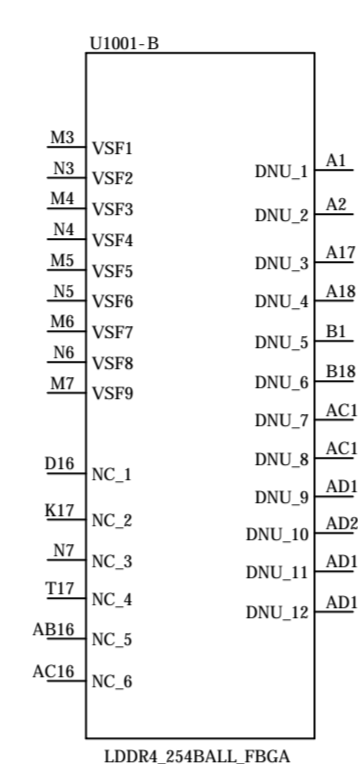
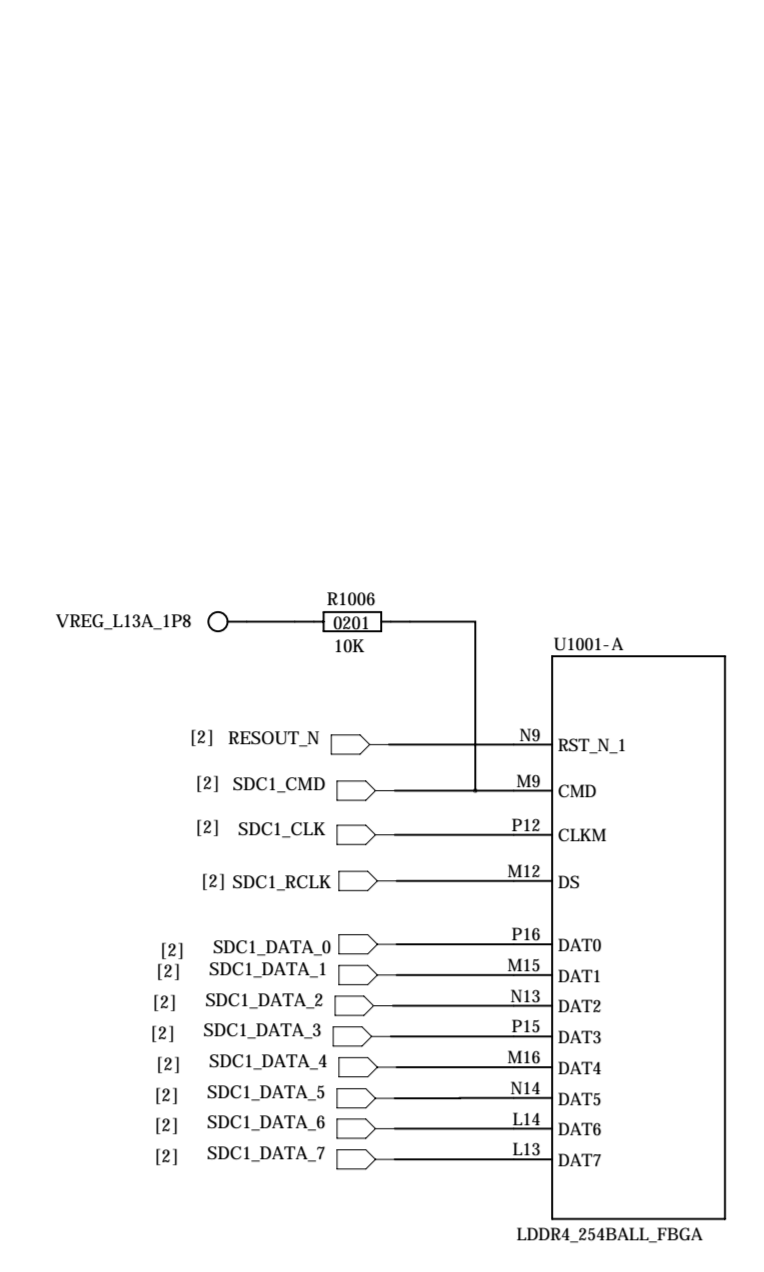
| | |
|------------------------------|-----------------------|
| COMPANY: <Company Name> | |
| TITLE: <Title> | |
| DATE: <Drawn Date> | DATE: <Checked Date> |
| DRAWN: <Drawn By> | CHECKED: <Checked By> |
| DATE: <QC Date> | DATE: <QC Date> |
| RELEASED: <Released By> | DATE: <Release Date> |
| CODE: <Code> | SIZE: A0 |
| DRAWING NO: <Drawing Number> | |
| REV: <Revision> | |
| SCALE: <Scale> | SHEET: 8 of 21 |

| REVISION RECORD | | | |
|-----------------|---------|----------|------|
| LT# | ECO NO. | APPROVED | DATE |
| | | | |
| | | | |
| | | | |



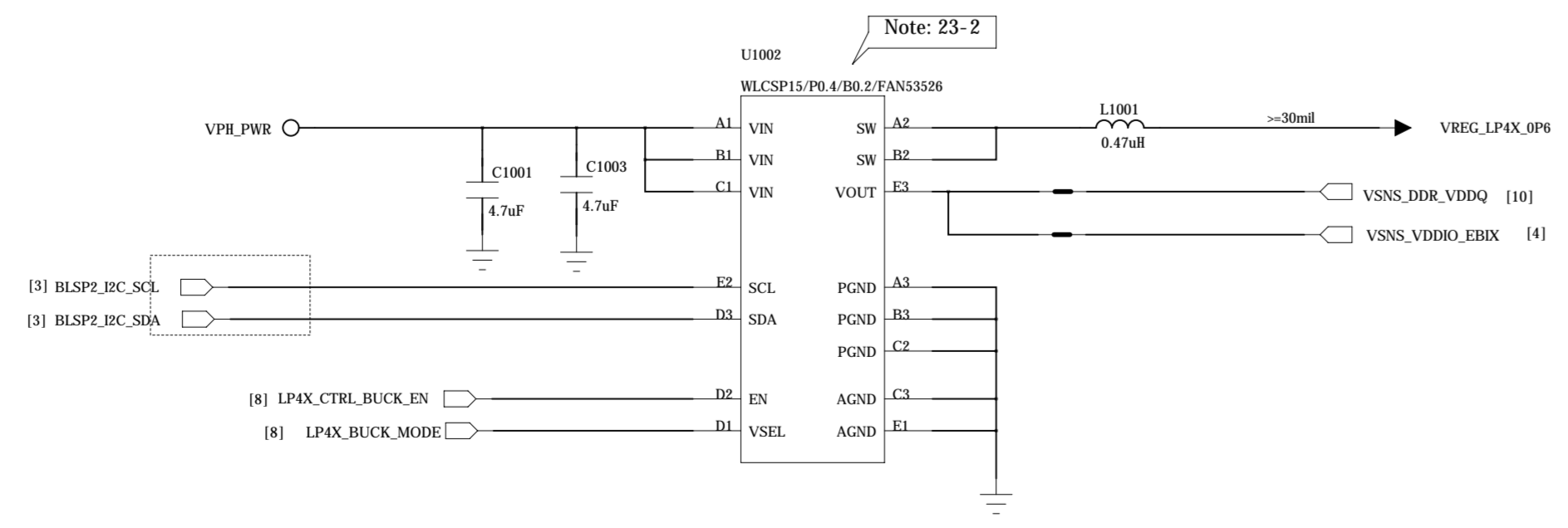
| | | | |
|--------------------------|----------------|------------------------------|-----------------|
| DRAWN: <Drawn By> | | DATE: <Drawn Date> | |
| CHECKED: <Checked By> | | DATE: <Checked Date> | |
| QUALITY CONTROL: <QC By> | | DATE: <QC Date> | |
| RELEASED: <Released By> | | DATE: <Release Date> | |
| COMPANY: <Company Name> | TITLE: <Title> | | |
| CODE: <Code> | SIZE: A0 | DRAWING NO: <Drawing Number> | REV: <Revision> |
| SCALE: <Scale> | | SHEET: 9/6 21 | |

| REVISION RECORD | | | |
|-----------------|---------|-----------|-------|
| LT# | ECO NO. | APPROVED: | DATE: |
| | | | |
| | | | |
| | | | |



Buck for VDRAM

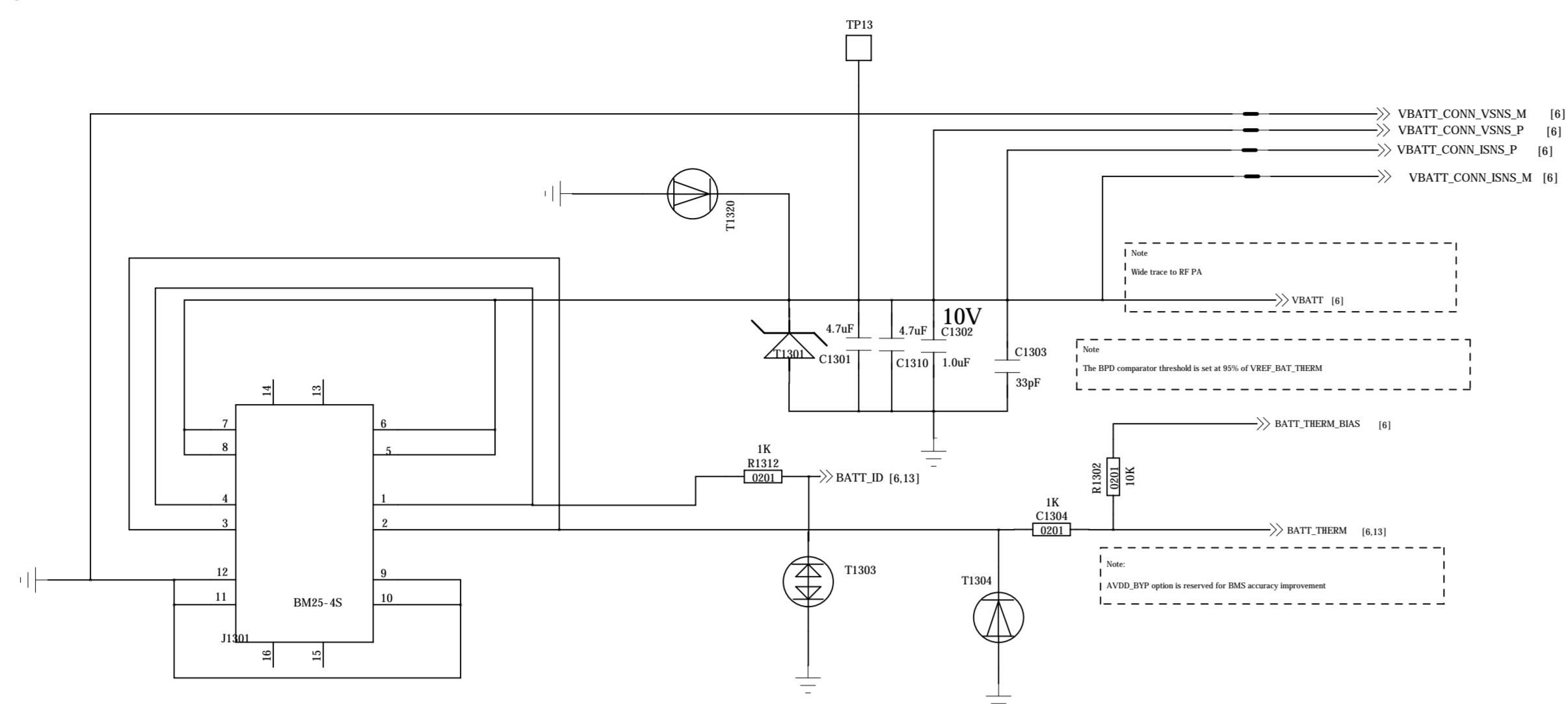
FAN53526 / Buck I2C address: 0X60 (Write:0xC0, Read:0xC1)



| | | | |
|--------------------------|----------------------|------------------------------|-------------|
| COMPANY: <Company Name> | | TITLE: <Title> | |
| DATE: <Drawn Date> | DATE: <Checked Date> | CODE: <Code> | SIZE: A0 |
| CHECKED: <Checked By> | DATE: <QC Date> | DRAWING NO: <Drawing Number> | |
| QUALITY CONTROL: <QC By> | DATE: <Release Date> | REV: <Revision> | |
| RELEASED: <Released By> | DATE: <Release Date> | SCALE: <Scale> | SHEET 10 21 |

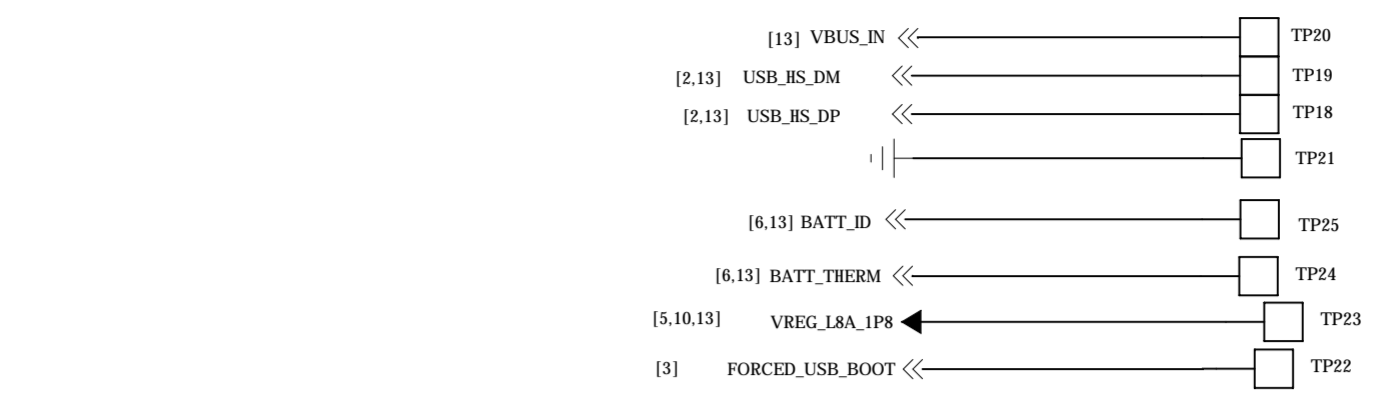
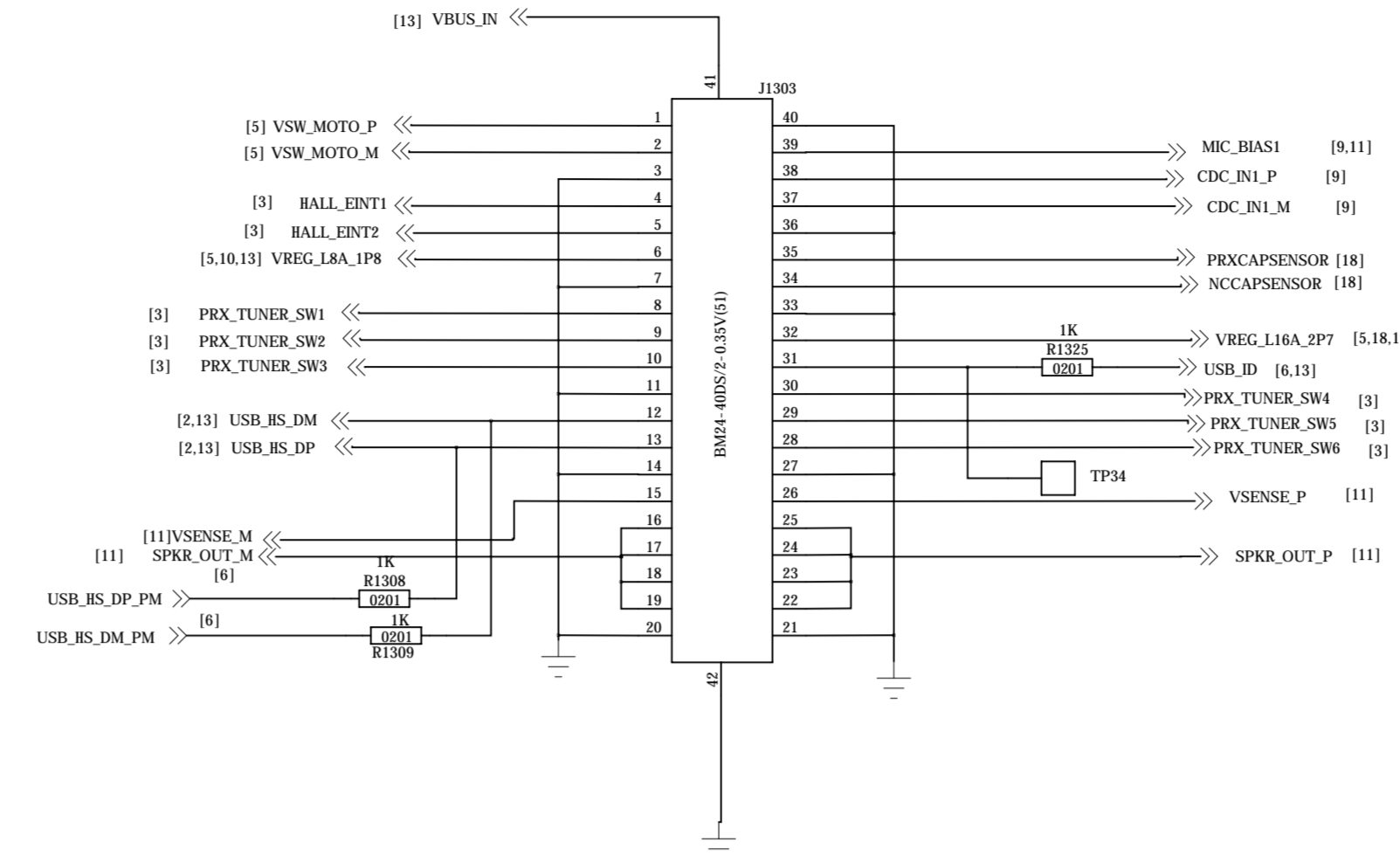
| REVISION RECORD | | | |
|-----------------|---------|----------|------|
| LYR | ECO NO. | APPROVED | DATE |
| | | | |
| | | | |
| | | | |

Battery Connector

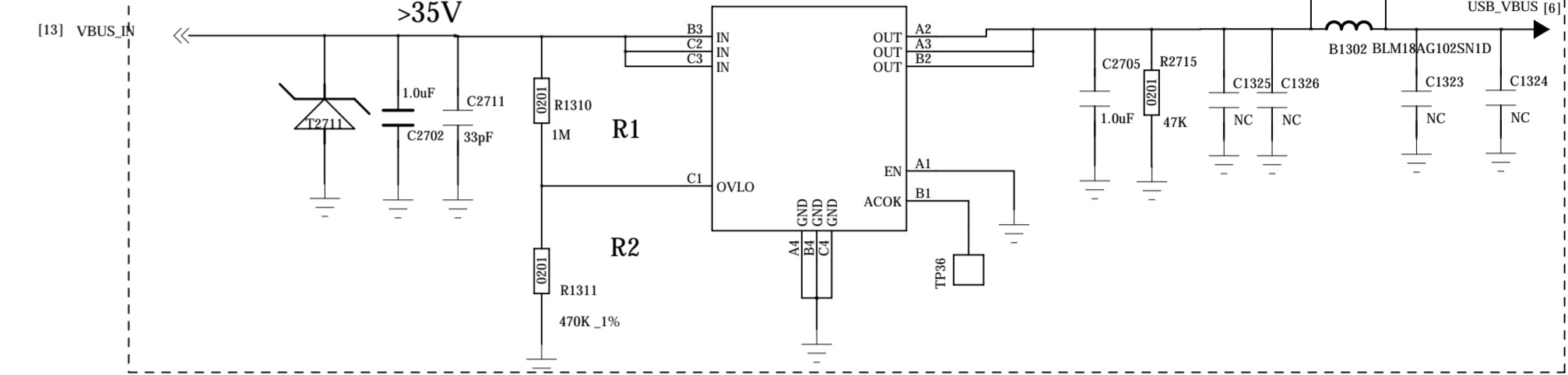


Note:
Battery ID resistor value require 20K-150K.

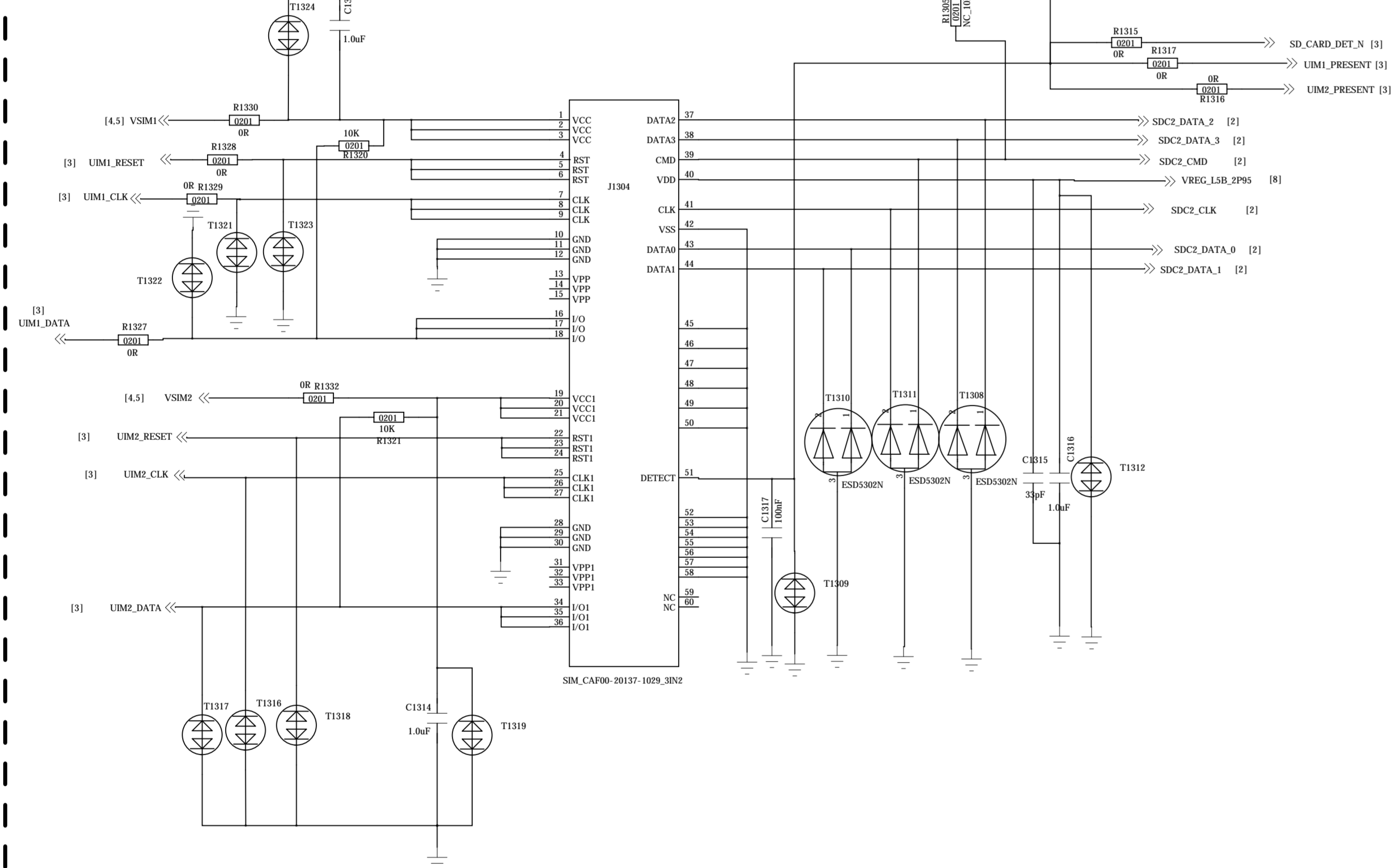
SUB_FPC



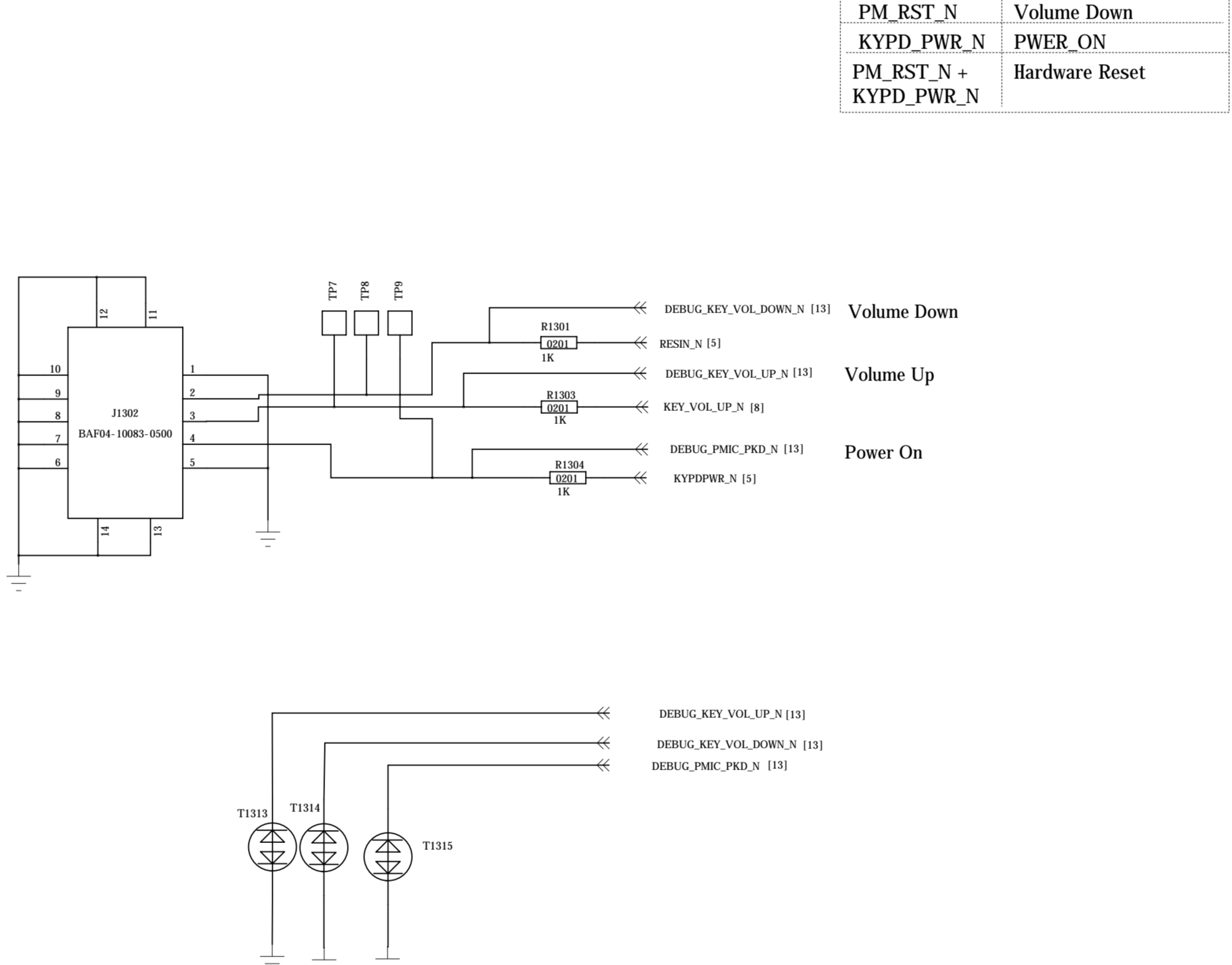
OVP



SIM&SD

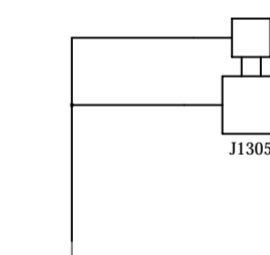


Sider Key



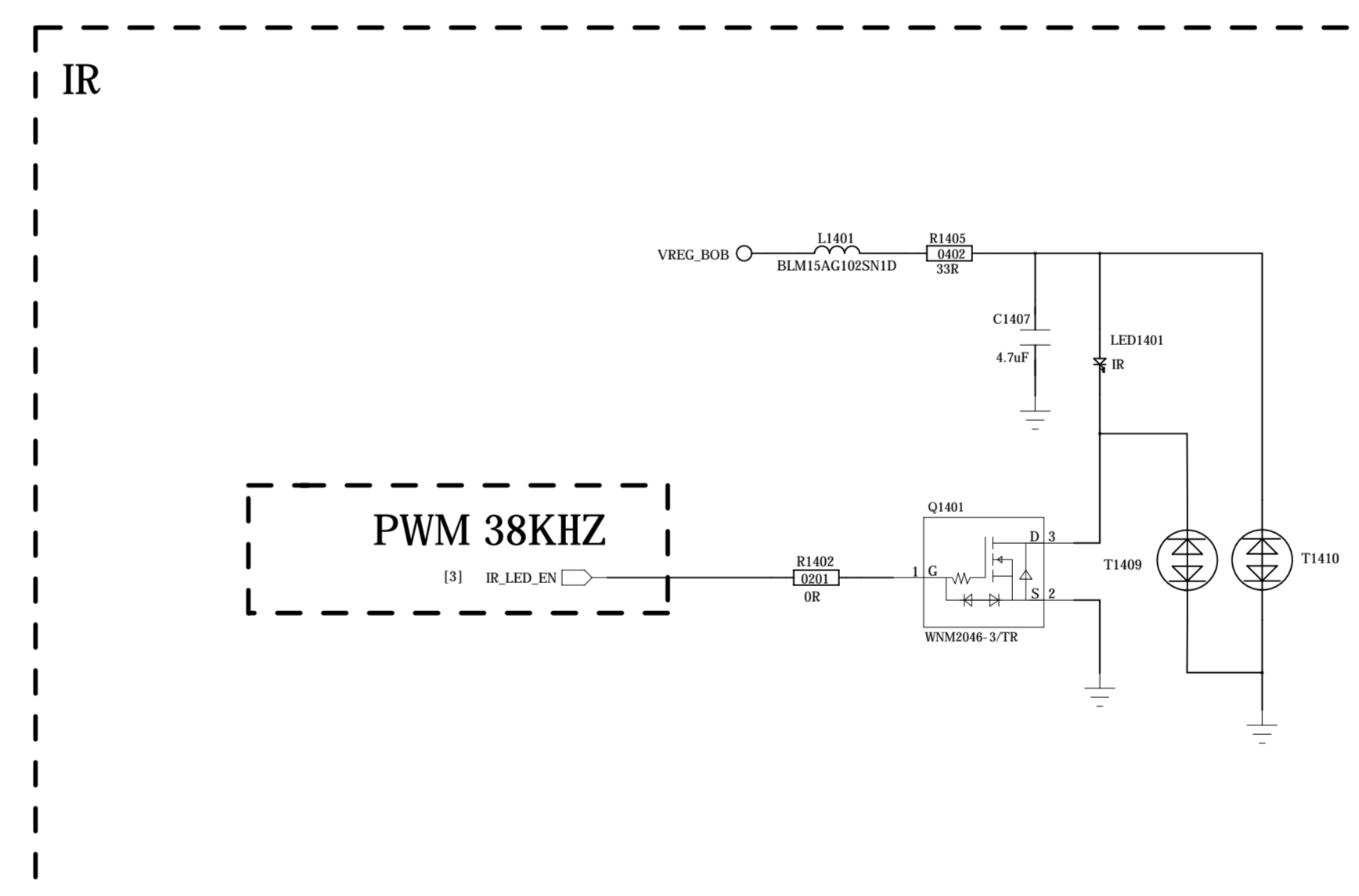
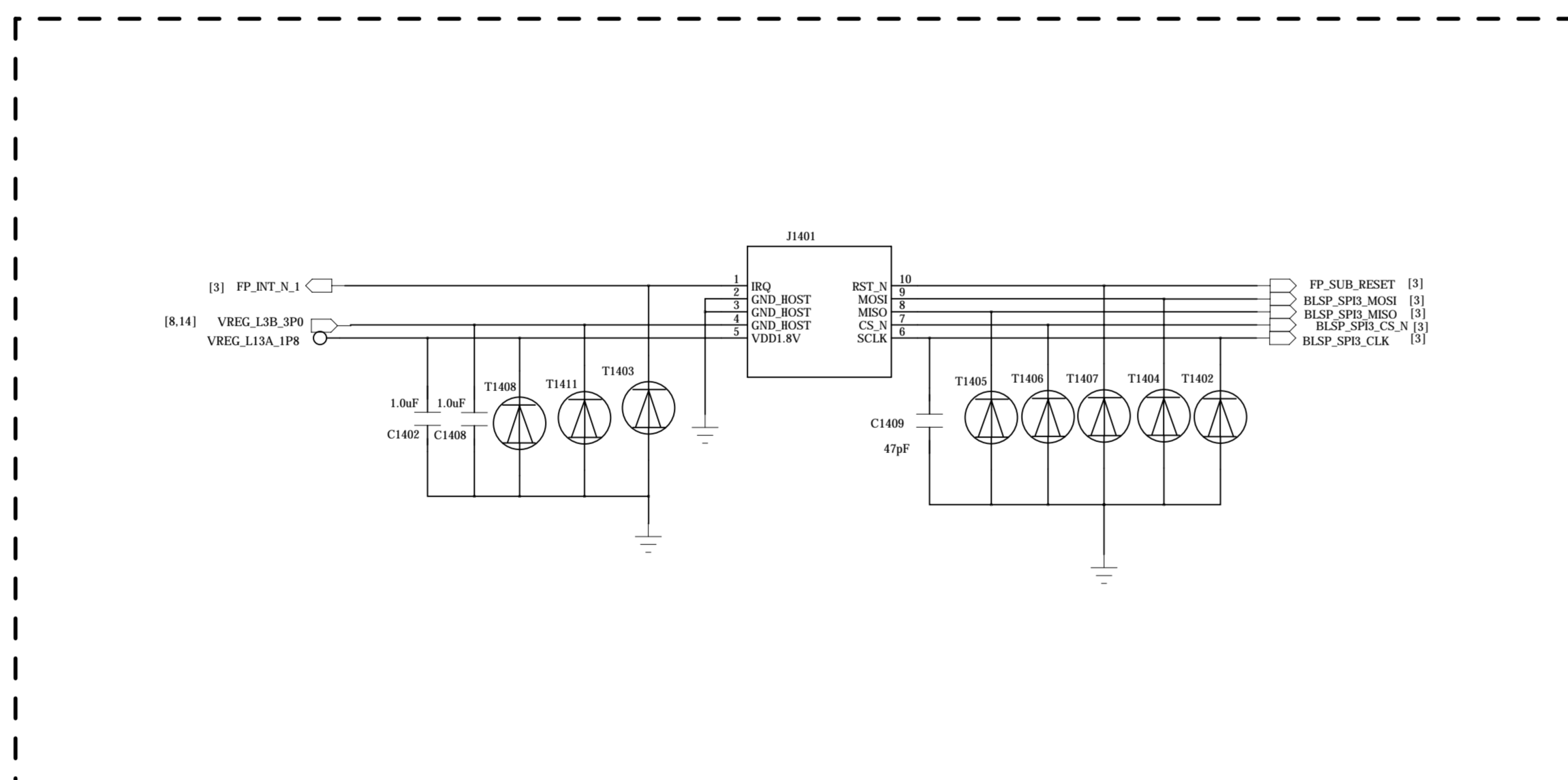
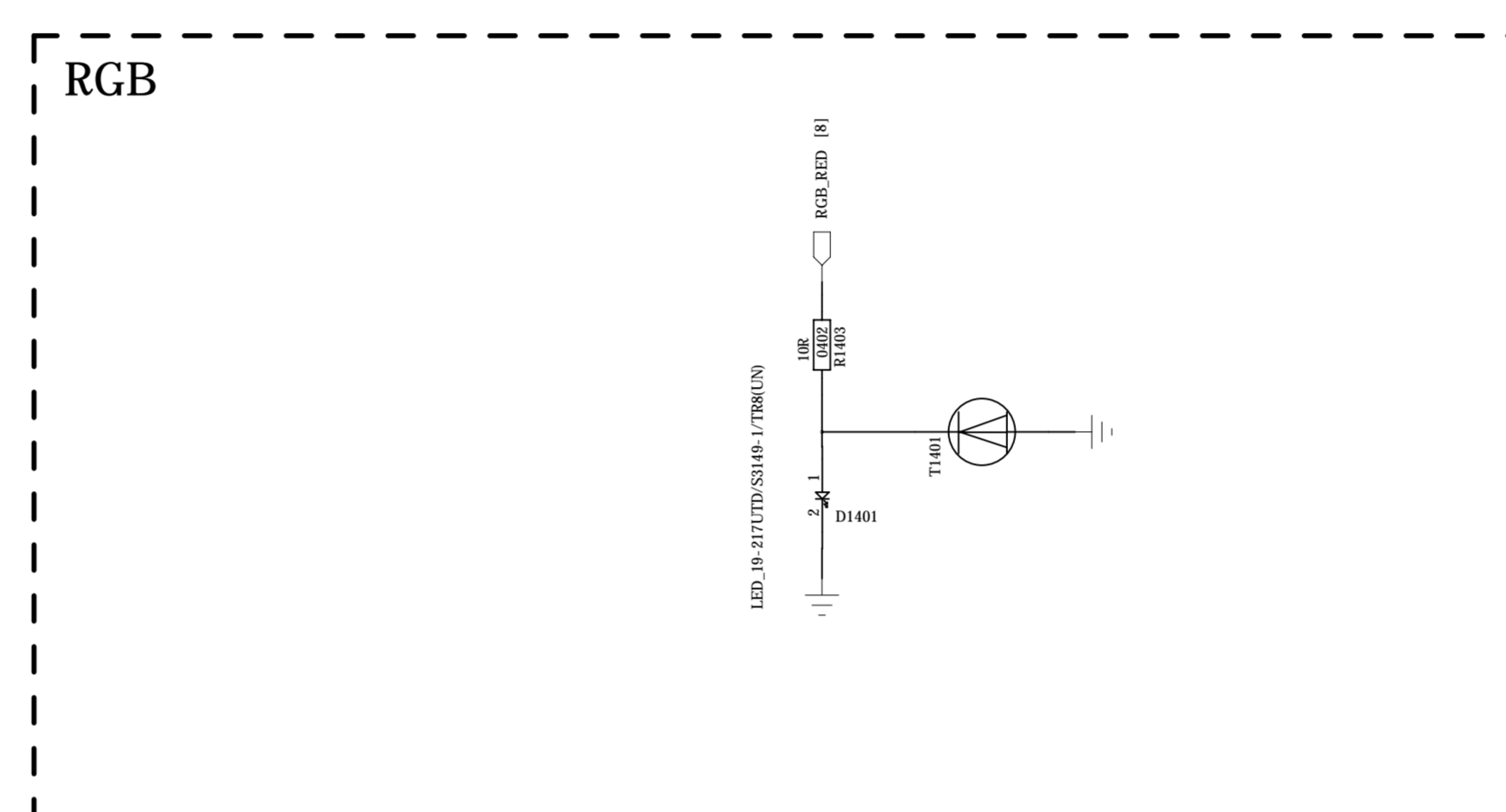
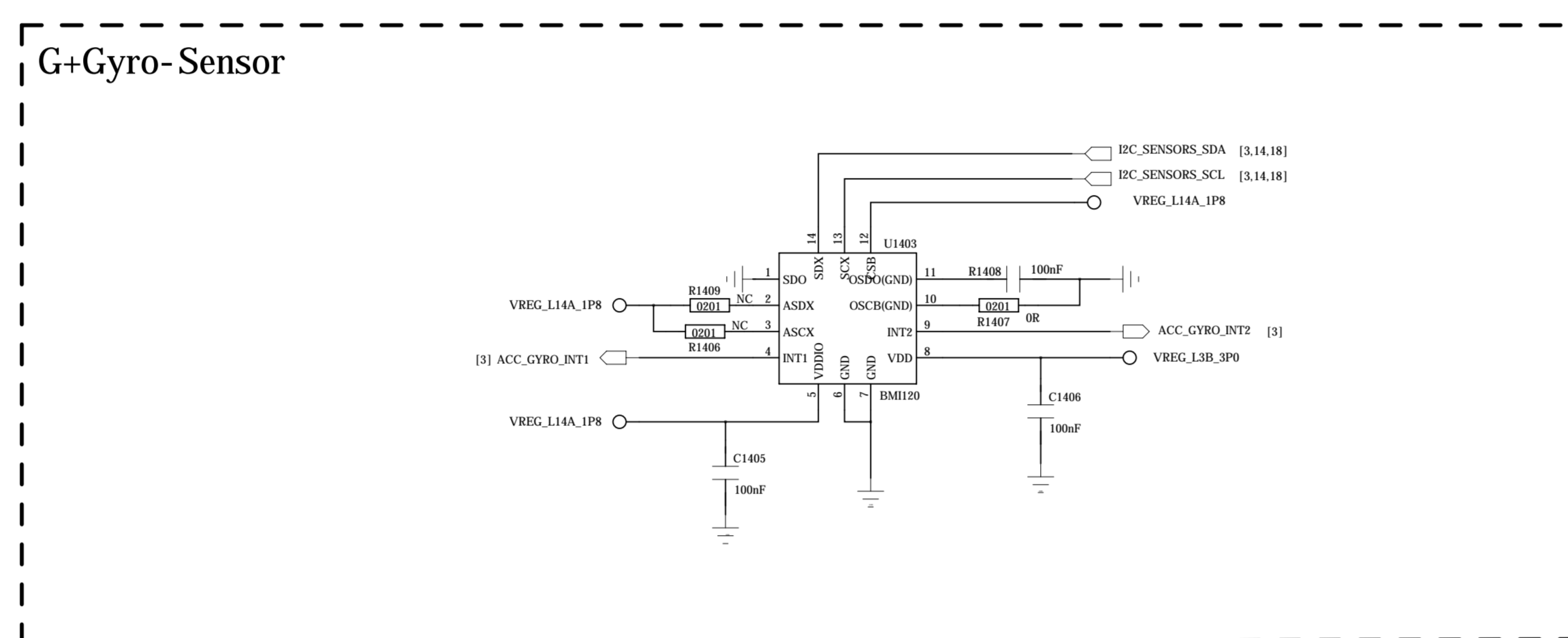
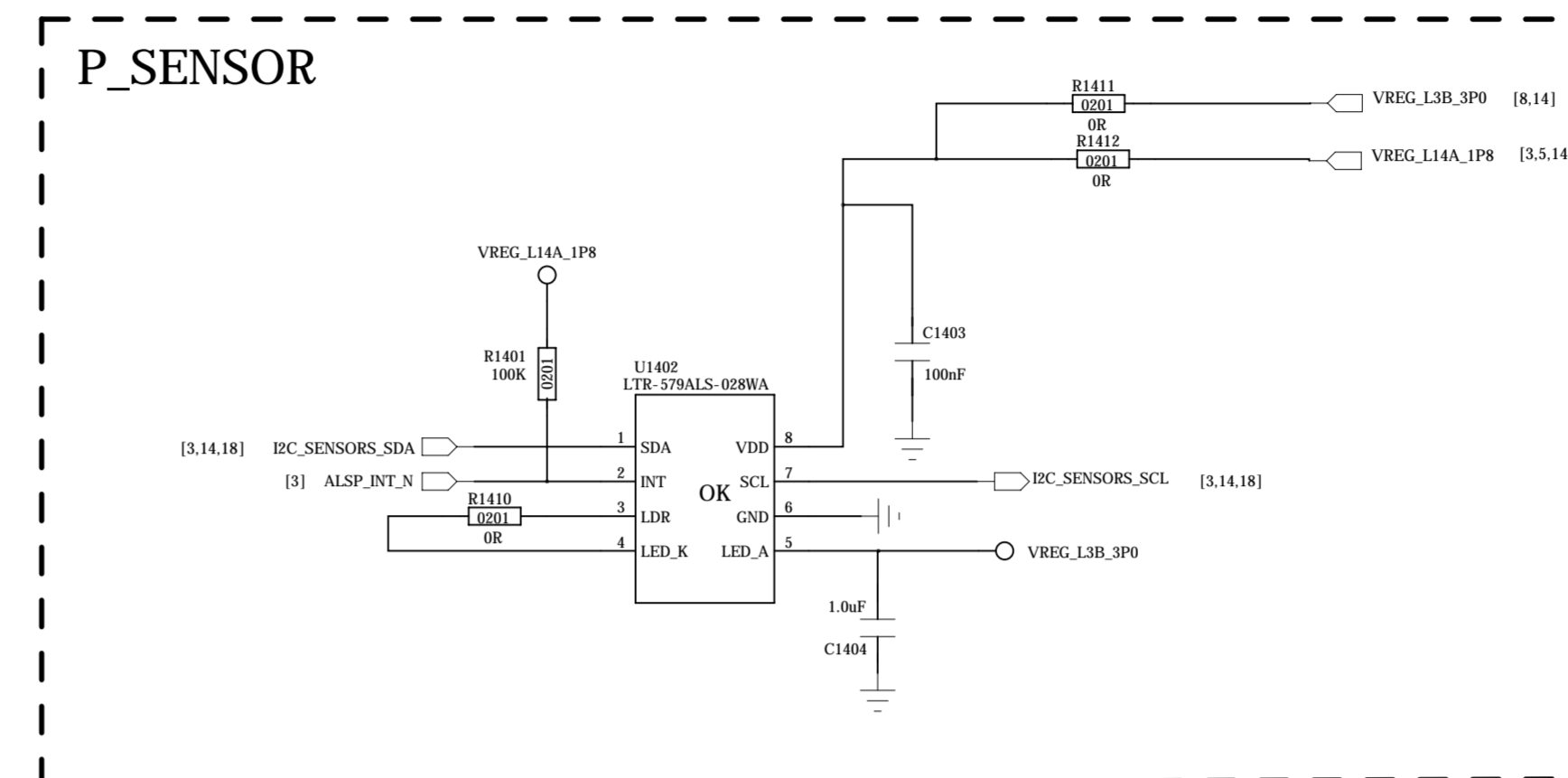
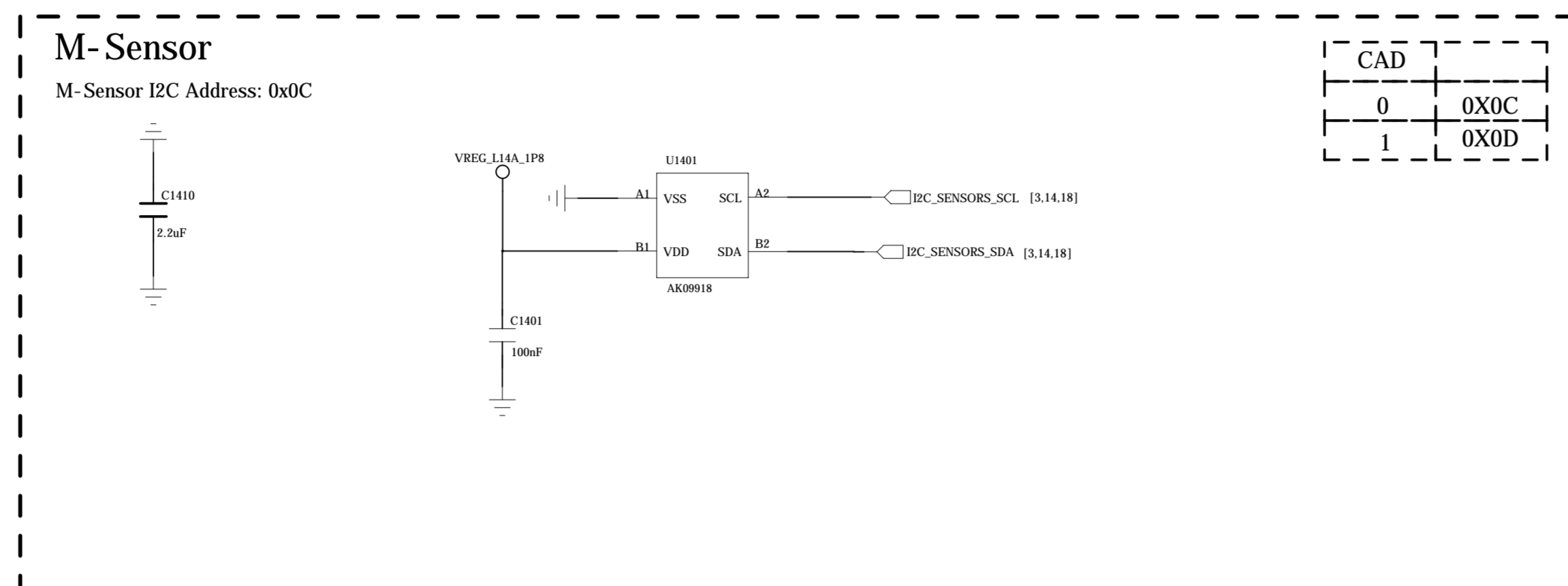
| Signal | Description |
|-----------------------|----------------|
| KPSNS0 | Volume Up |
| PM_RST_N | Volume Down |
| KYPD_PWR_N | POWER_ON |
| PM_RST_N + KYPD_PWR_N | Hardware Reset |

SUB_LED



| | |
|------------------------------|----------------------|
| COMPANY: <Company Name> | |
| TITLE: <Title> | |
| DRAWN: <Drawn By> | DATE: <Drawn Date> |
| CHECKED: <Checked By> | DATE: <Checked Date> |
| QUALITY CONTROL: <QC By> | DATE: <QC Date> |
| RELEASED: <Released By> | DATE: <Release Date> |
| CODE: <Code> | SIZE: A0 |
| DRAWING NO: <Drawing Number> | |
| REV: <Revision> | |
| SCALE: <Scale> | SHEET: 18 / 21 |

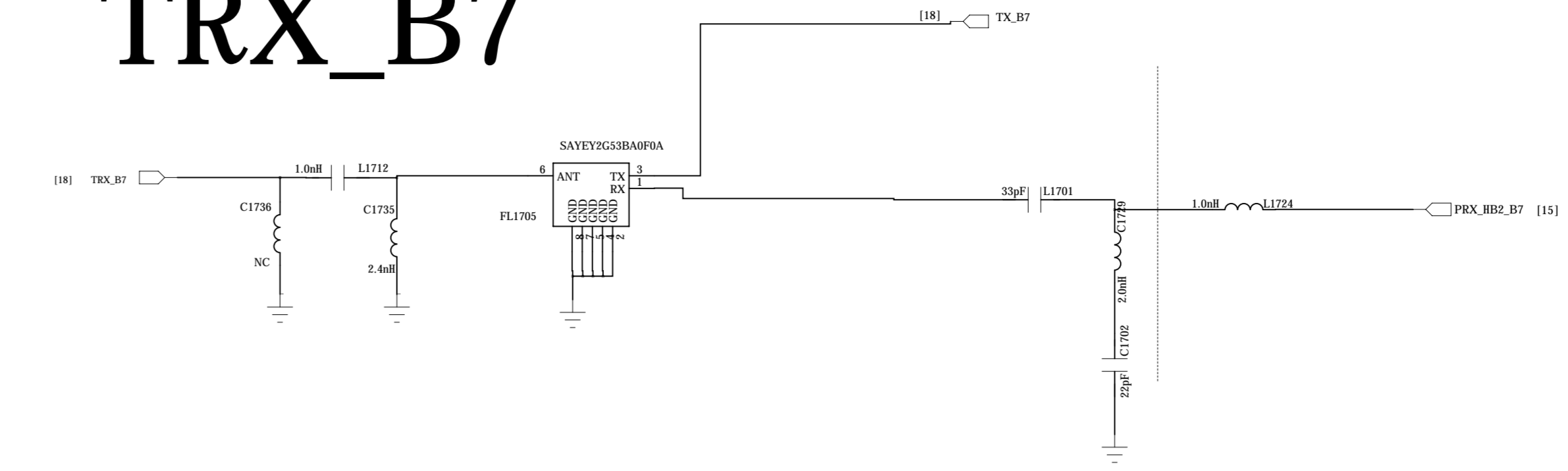
| REVISION RECORD | | | |
|-----------------|----------|----------|------|
| LTR | REV. NO. | APPROVED | DATE |
| | | | |
| | | | |
| | | | |



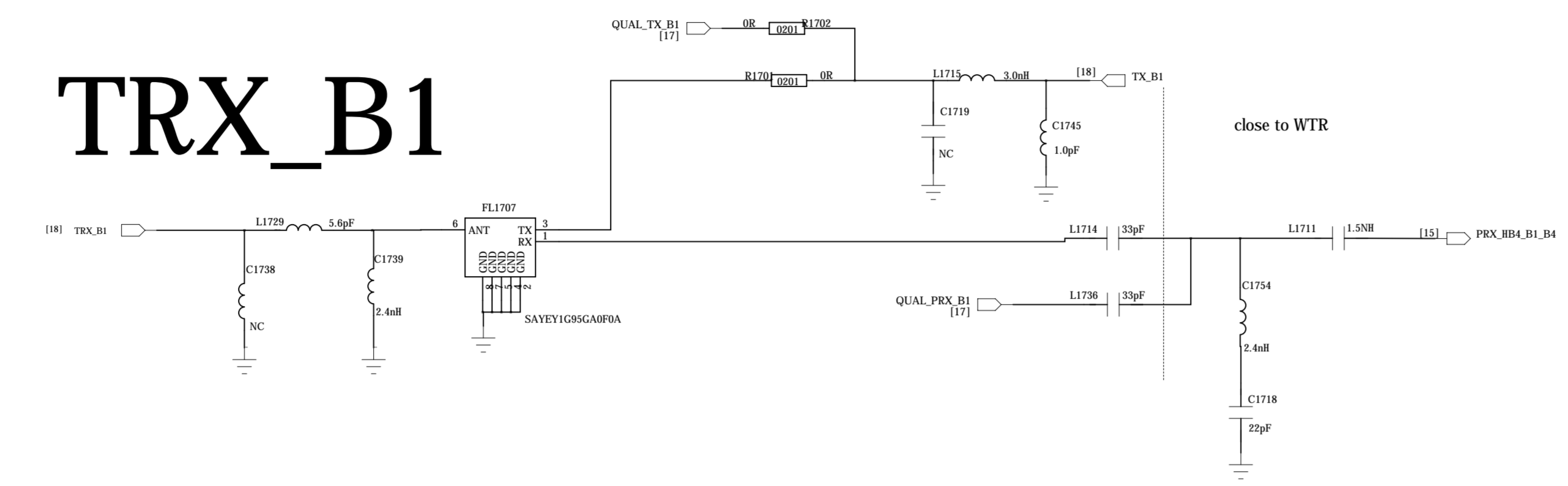
| | | | | | | | |
|--------------------------|--|----------------------|--|-------------------------|----------|------------------------------|-----------------|
| DRAWN: <Drawn By> | | DATE: <Drawn Date> | | COMPANY: <Company Name> | | | |
| CHECKED: <Checked By> | | DATE: <Checked Date> | | TITLE: <Title> | | | |
| QUALITY CONTROL: <QC By> | | DATE: <QC Date> | | CODE: <Code> | SIZE: A0 | DRAWING NO: <Drawing Number> | REV: <Revision> |
| RELEASED: <Released By> | | DATE: <Release Date> | | SCALE: <Scale> | | SHEET 14 21 | |

| REVISION RECORD | | | |
|-----------------|--------|----------|------|
| LT# | REV NO | APPROVED | DATE |
| | | | |
| | | | |
| | | | |

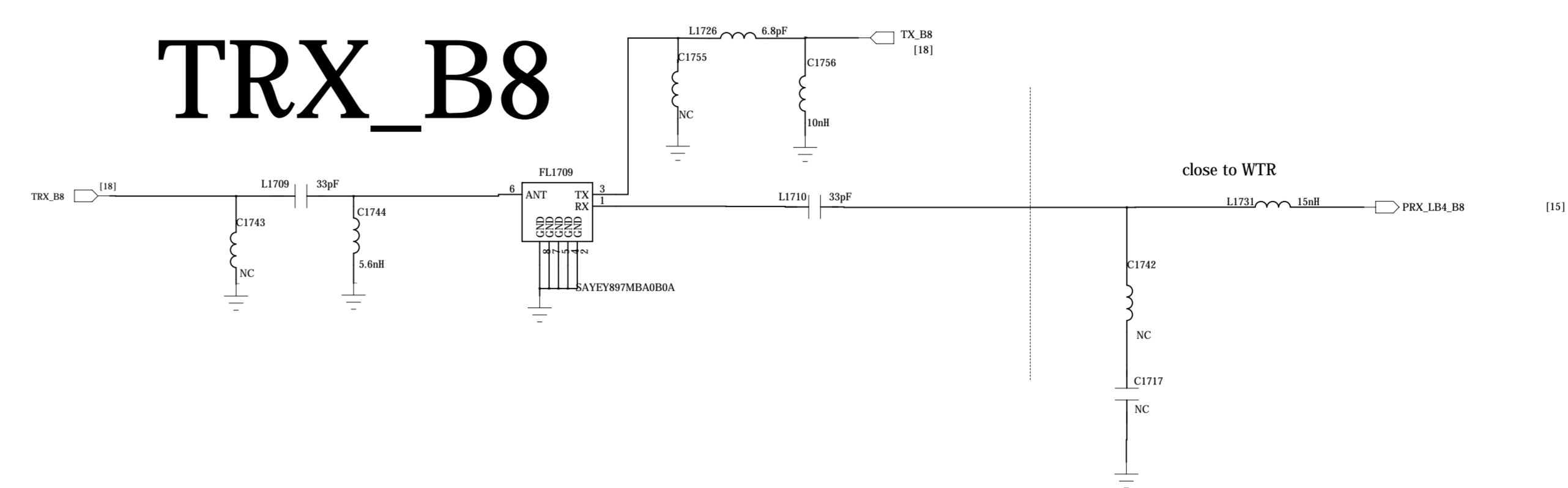
TRX_B7



TRX_B1

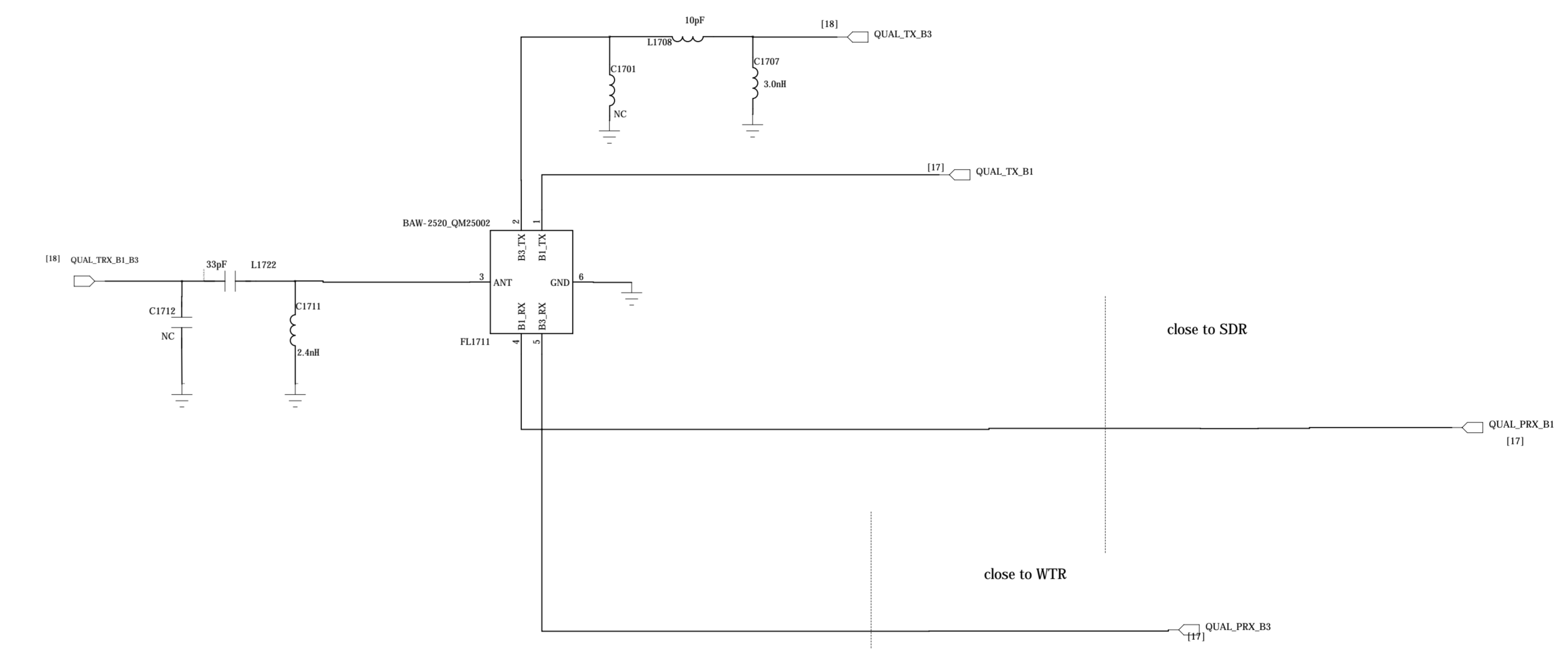


TRX_B8

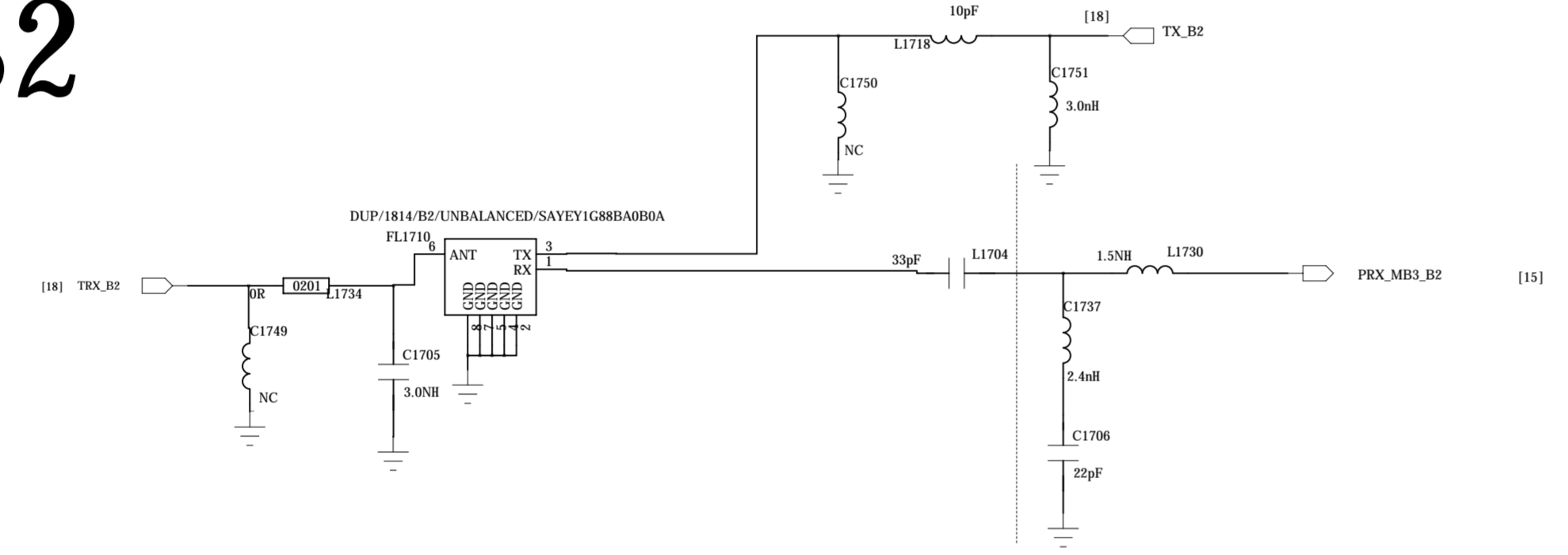


| | |
|-----------|-----|
| RF1630 | |
| MODE | VC1 |
| RFIN--RF1 | 0 |
| RFIN--RF2 | 1 |

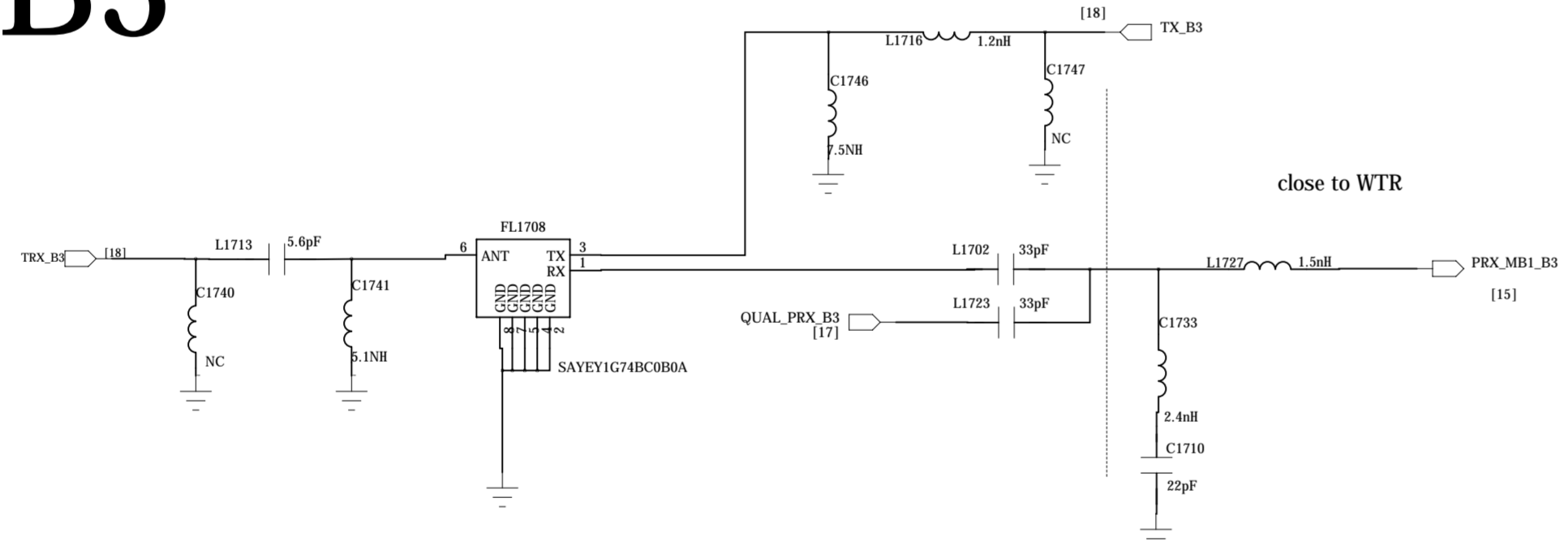
TRX_B1_B3_B4



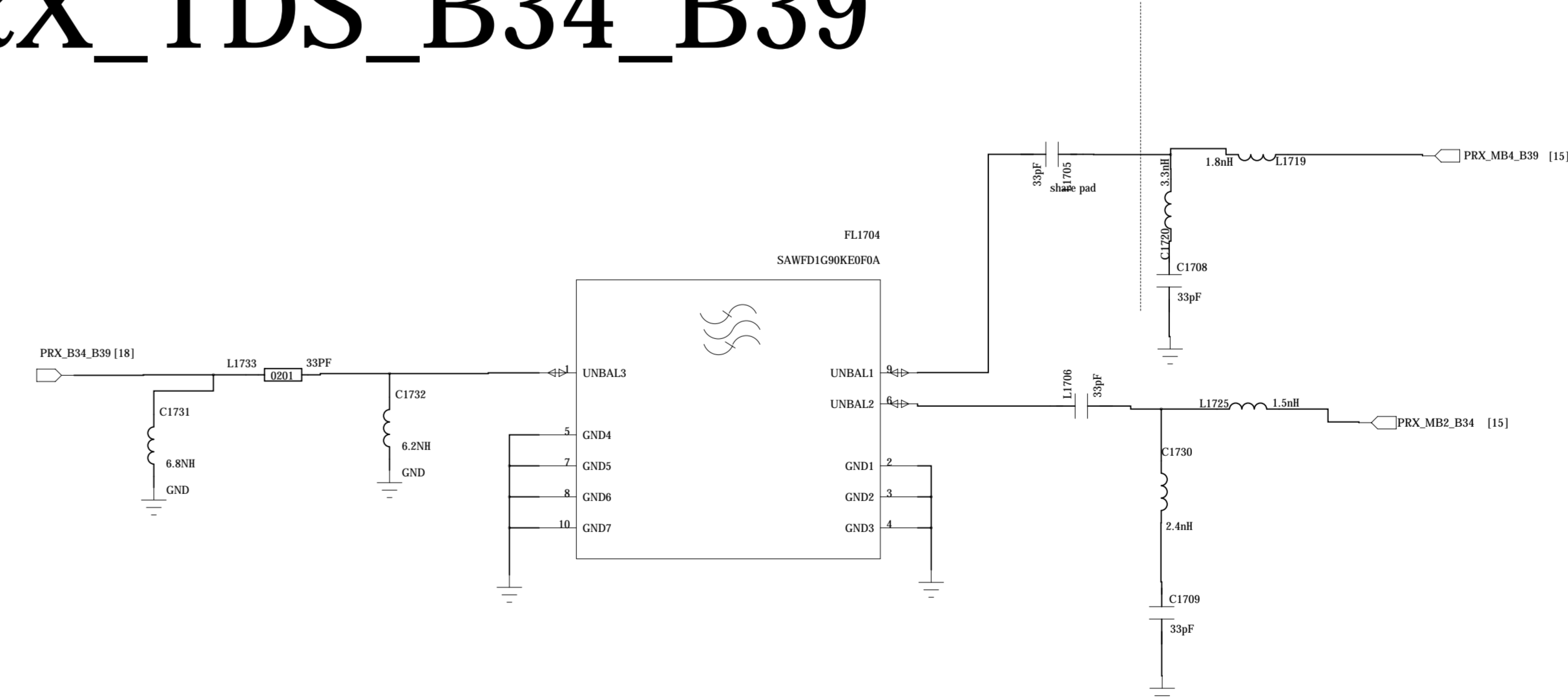
TRX_B2



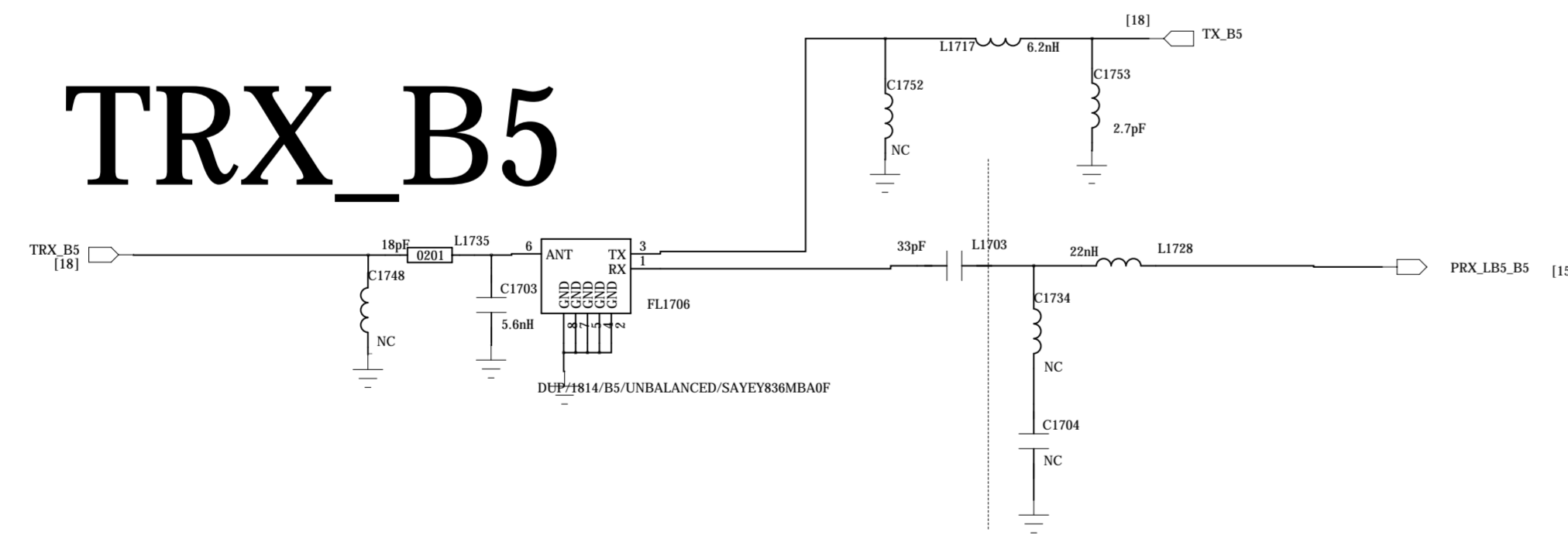
TRX_B3



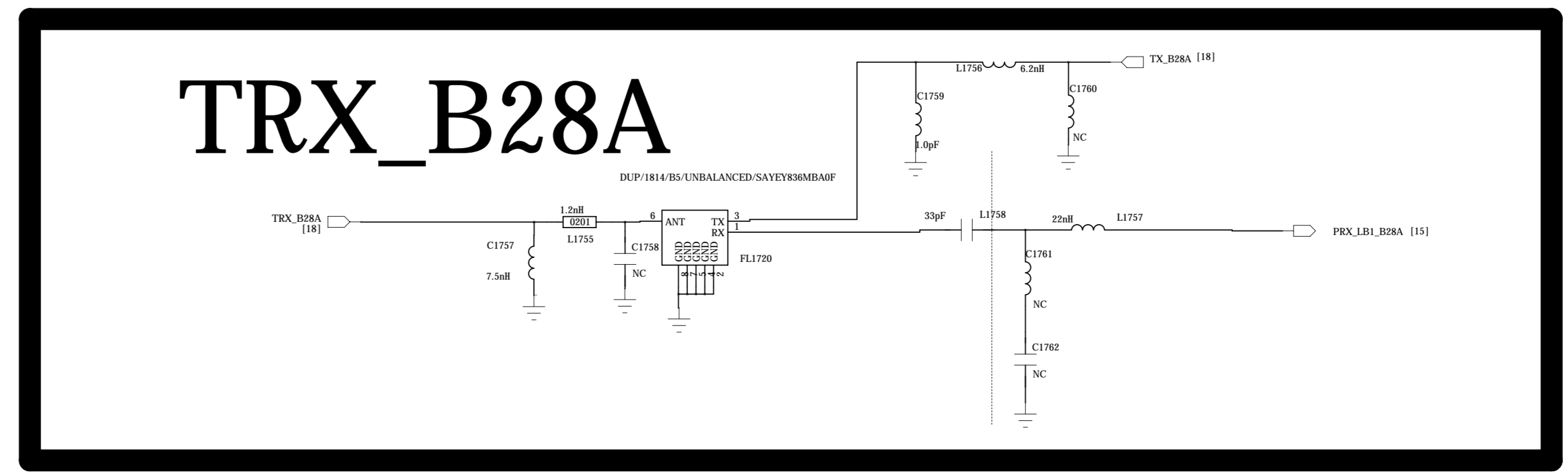
TRX_TDS_B34_B39



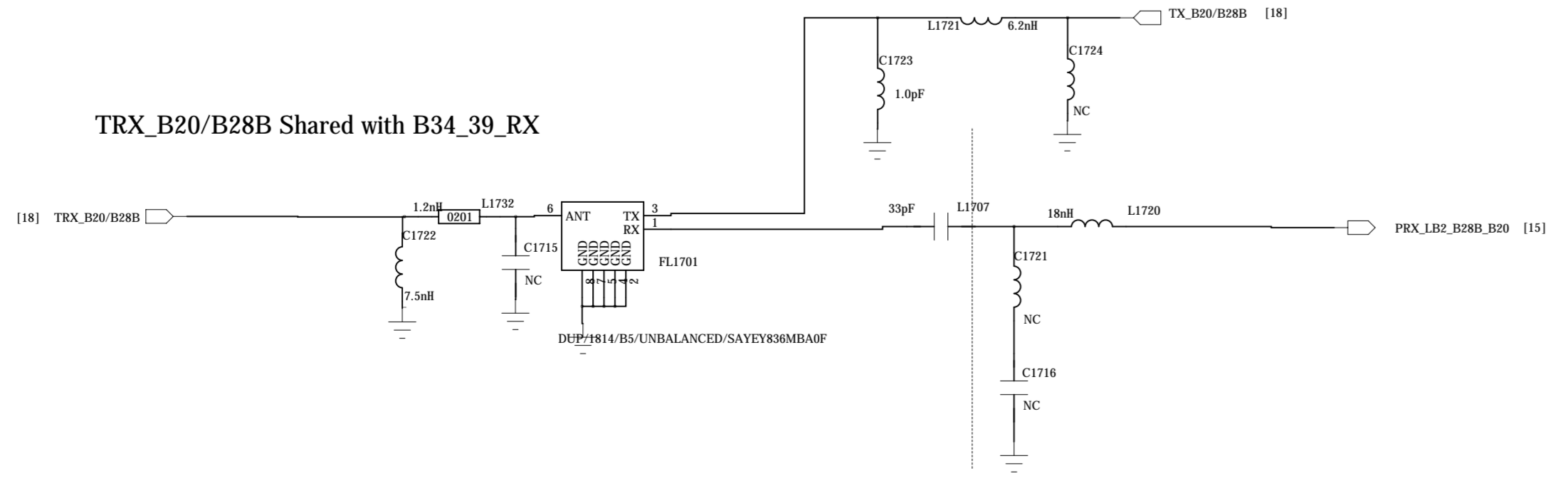
TRX_B5



TRX_B28A



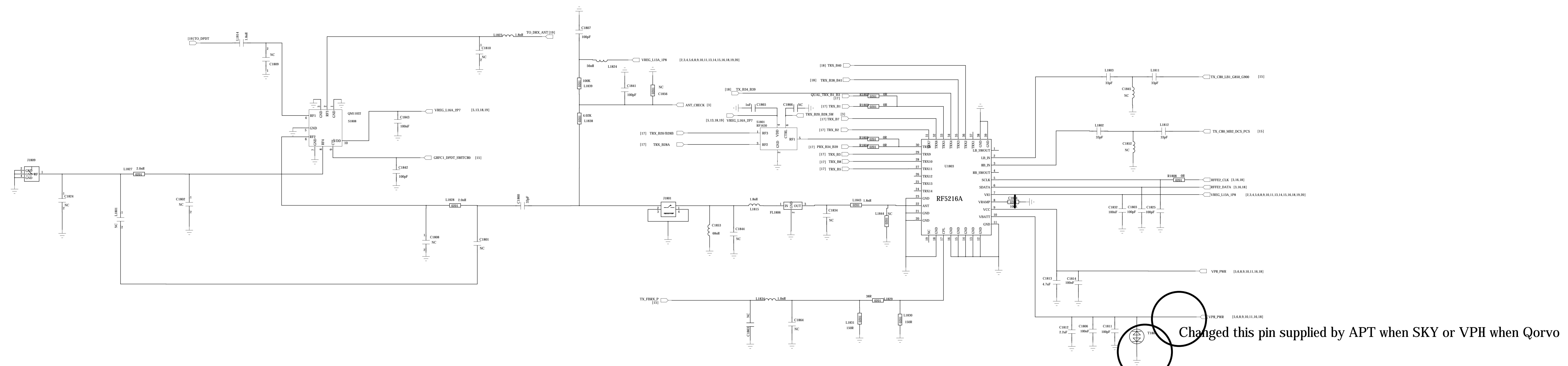
TRX_B20/B28B Shared with B34_39_RX



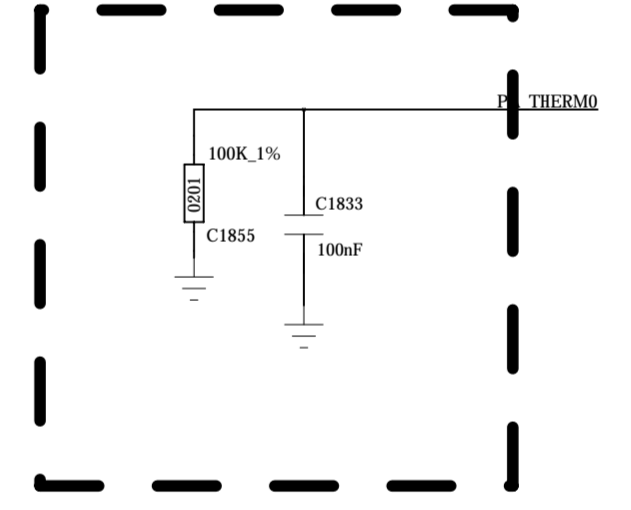
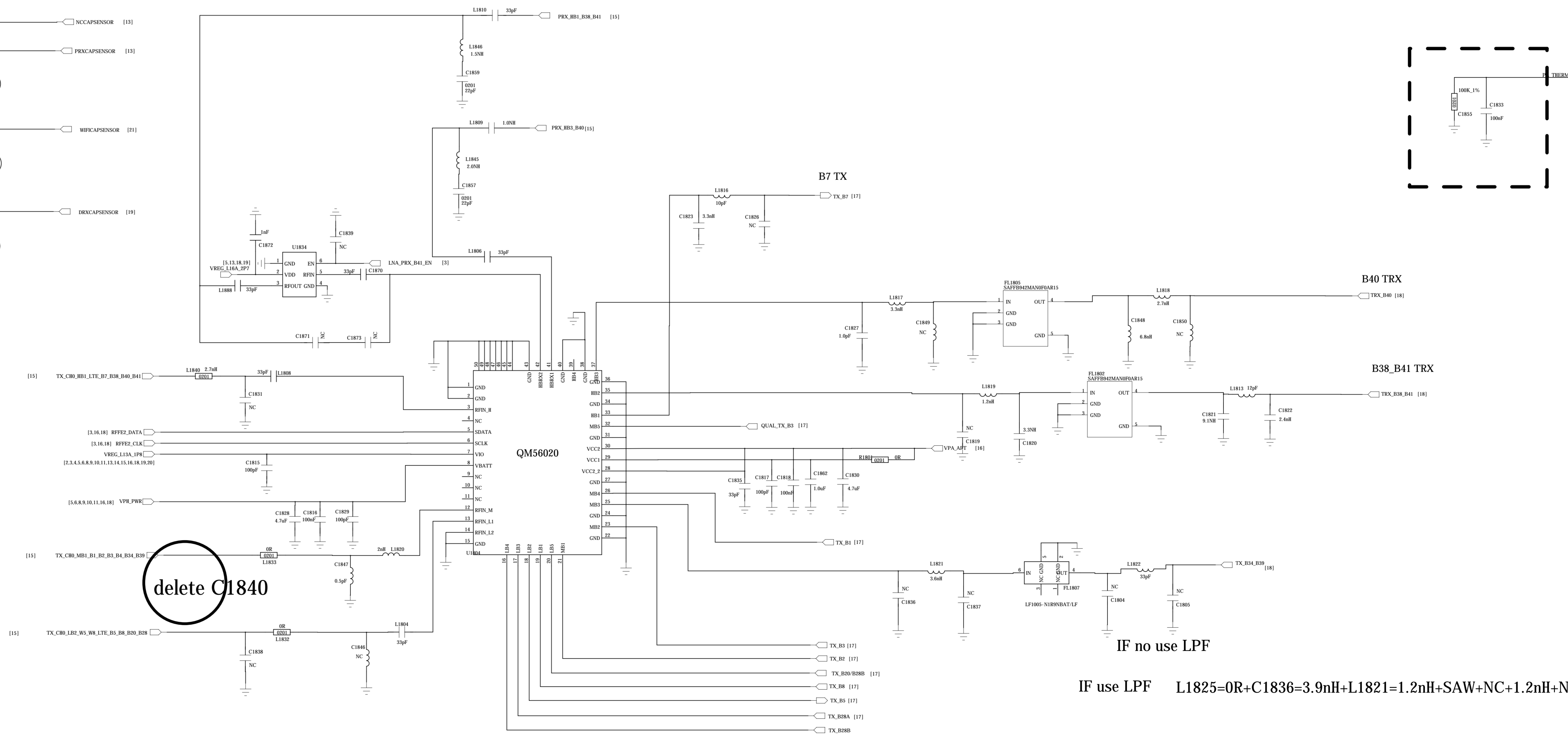
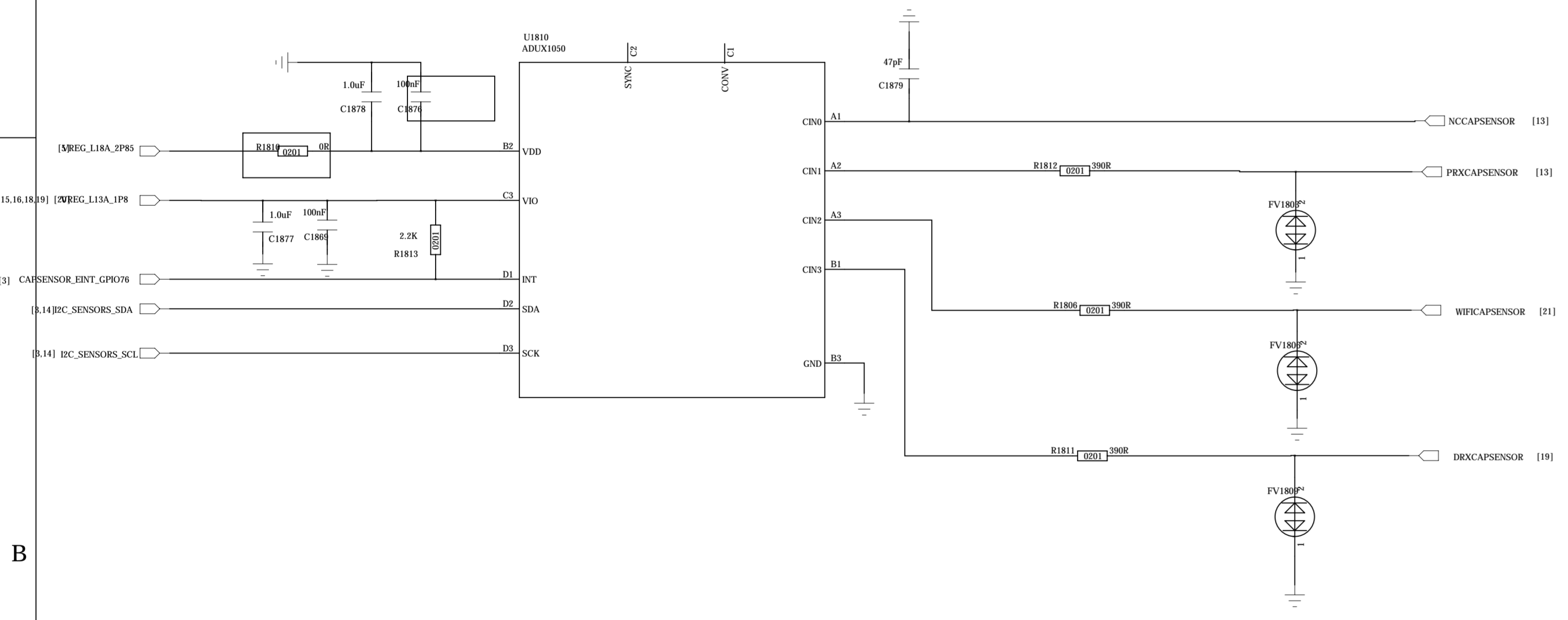
| | |
|------------------------------|-----------------------|
| COMPANY: <Company Name> | |
| TITLE: <Title> | |
| DRAWN: <Drawn By> | DATED: <Drawn Date> |
| CHECKED: <Checked By> | DATED: <Checked Date> |
| QUALITY CONTROL: <QC By> | DATED: <QC Date> |
| RELEASED: <Released By> | DATED: <Release Date> |
| CODE: <Code> | SIZE: A0 |
| DRAWING NO: <Drawing Number> | REV: <Revision> |
| SCALE: <Scale> | SHEET: 10 OF 21 |

| REVISION RECORD | | | |
|-----------------|---------|----------|------|
| REV | ECO NO. | APPROVED | DATE |
| | | | |
| | | | |

If walsin, R61, R62 should be NC

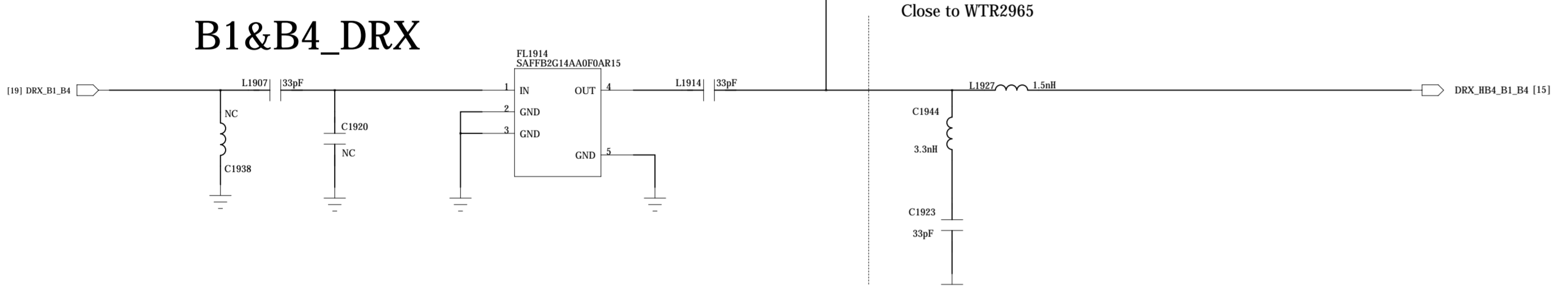
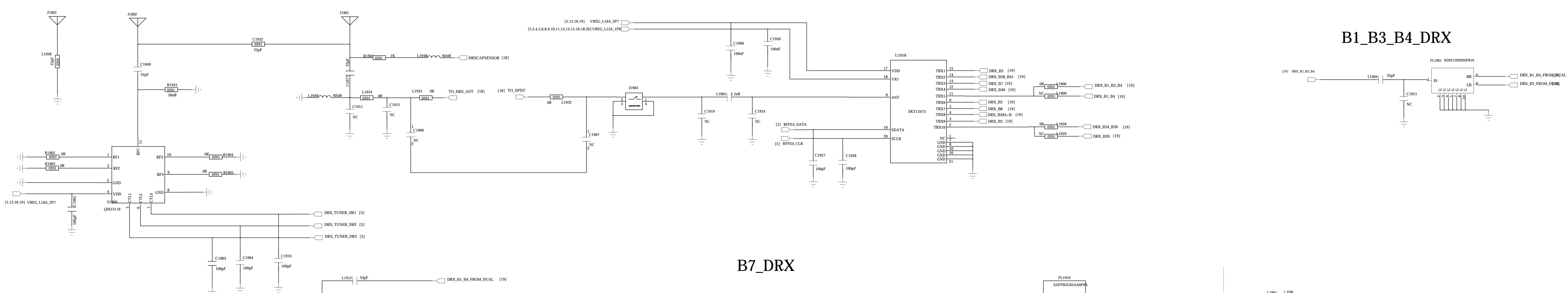


SAR Sensor

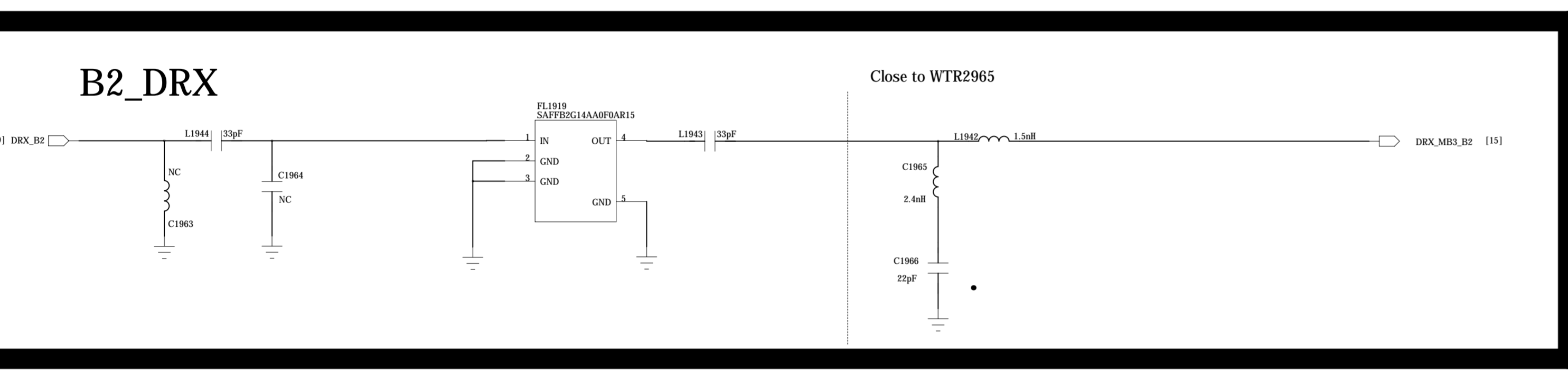
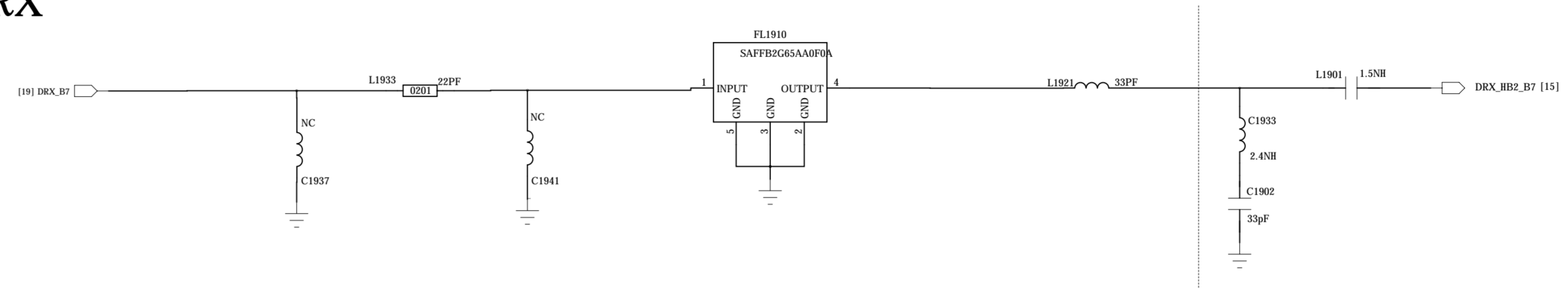


| | | | |
|--------------------------|----------|------------------------------|-----------------|
| DRAWN: <Drawn By> | | DATE: <Drawn Date> | |
| CHECKED: <Checked By> | | DATE: <Checked Date> | |
| QUALITY CONTROL: <QC By> | | DATE: <QC Date> | |
| RELEASED: <Released By> | | DATE: <Release Date> | |
| COMPANY: <Company Name> | | | |
| TITLE: <Title> | | | |
| CODE: <Code> | SIZE: A0 | DRAWING NO: <Drawing Number> | REV: <Revision> |
| SCALE: <Scale> | | SHEET: 18 21 | |

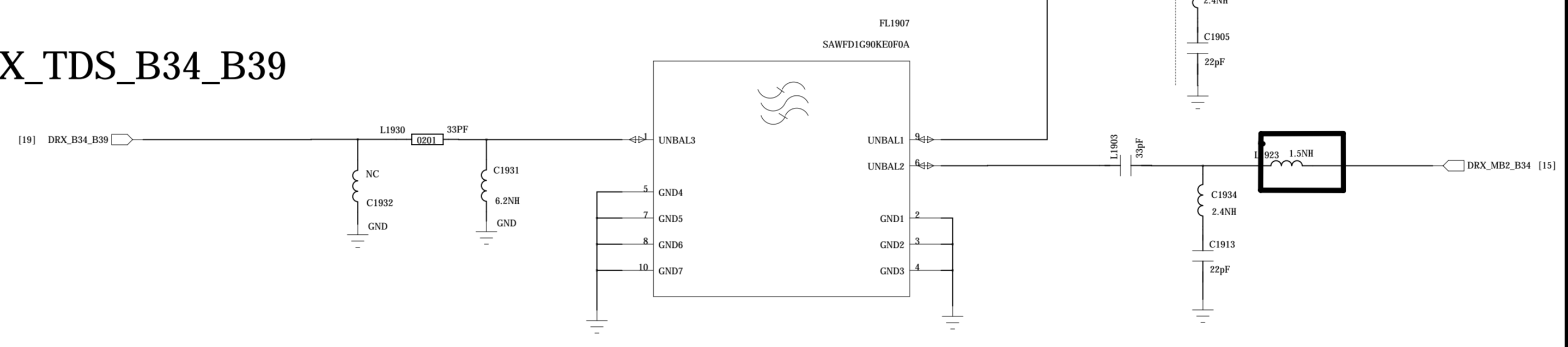
| REVISION RECORD | | | |
|-----------------|---------|----------|------|
| LT# | REV NO. | APPROVED | DATE |
| | | | |
| | | | |
| | | | |



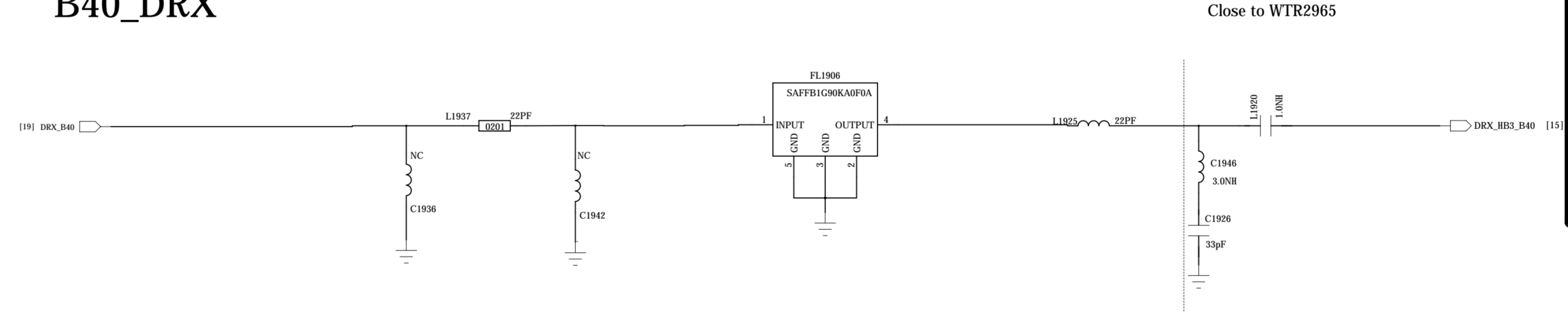
B7_DRX



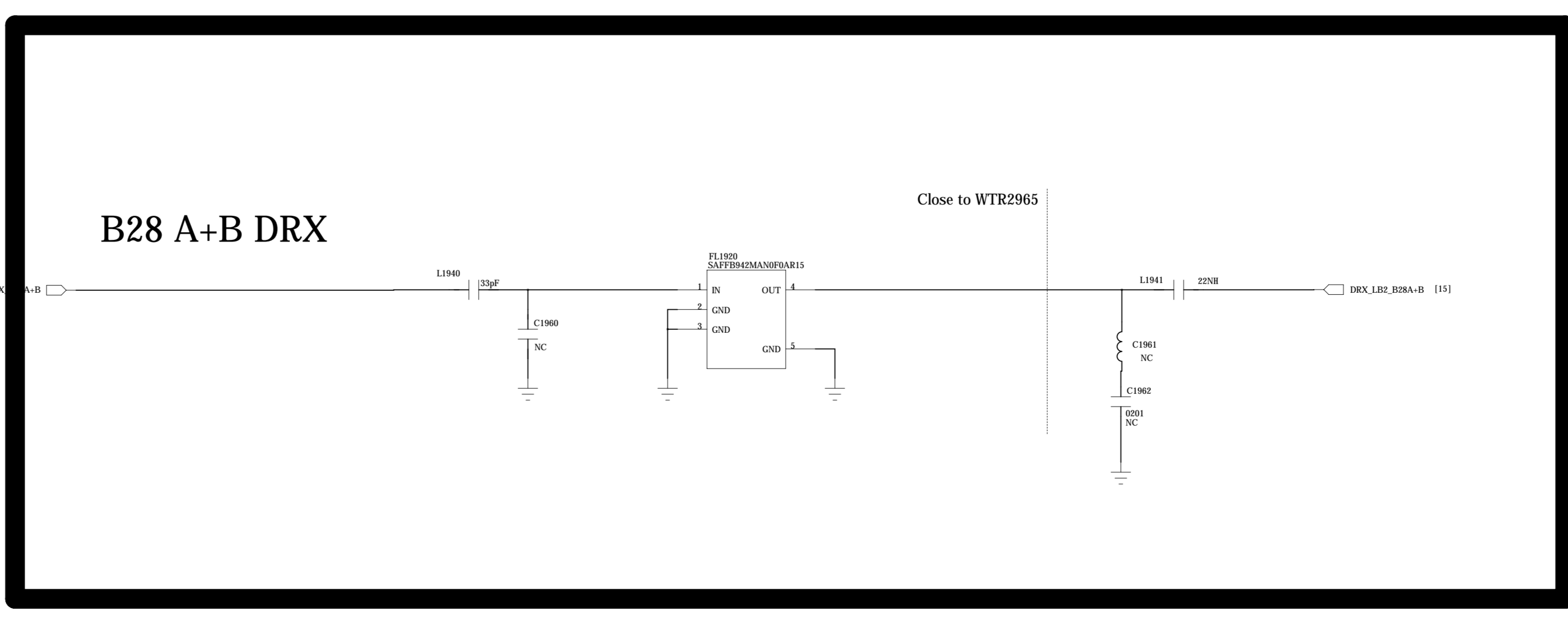
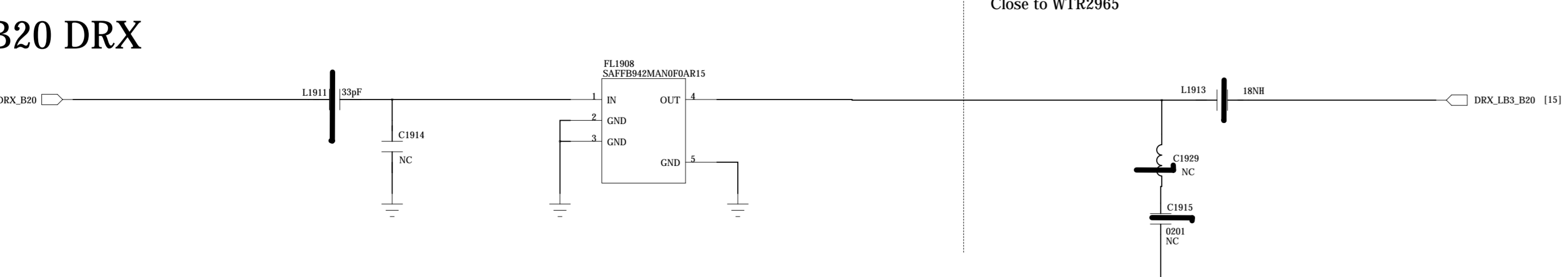
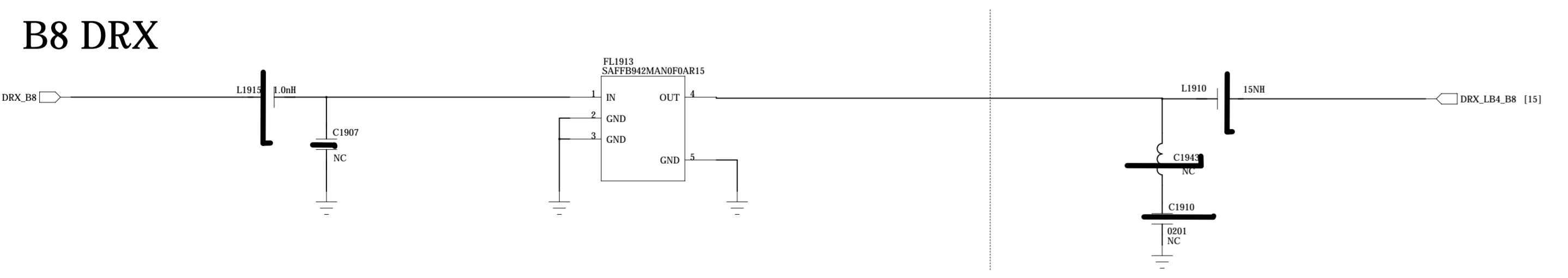
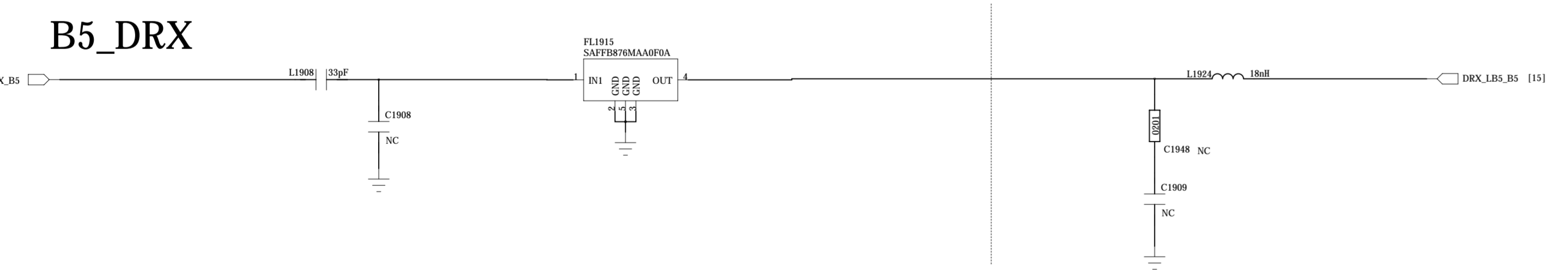
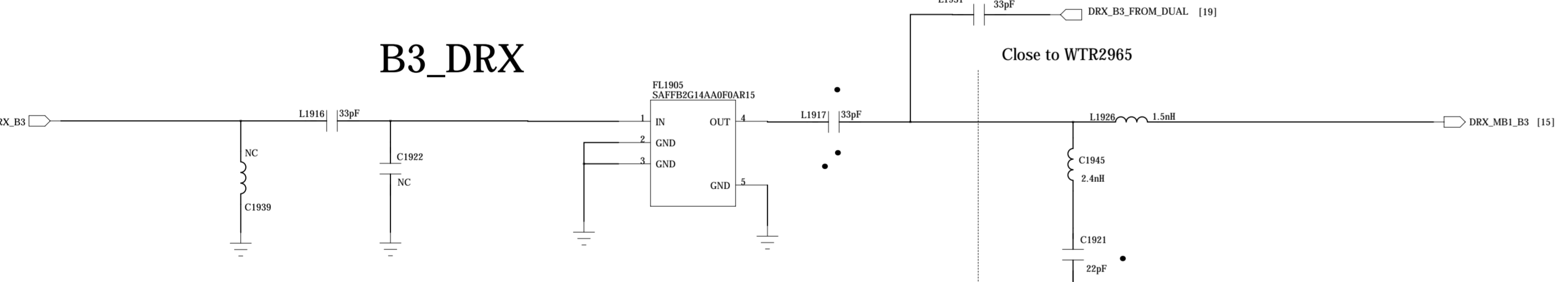
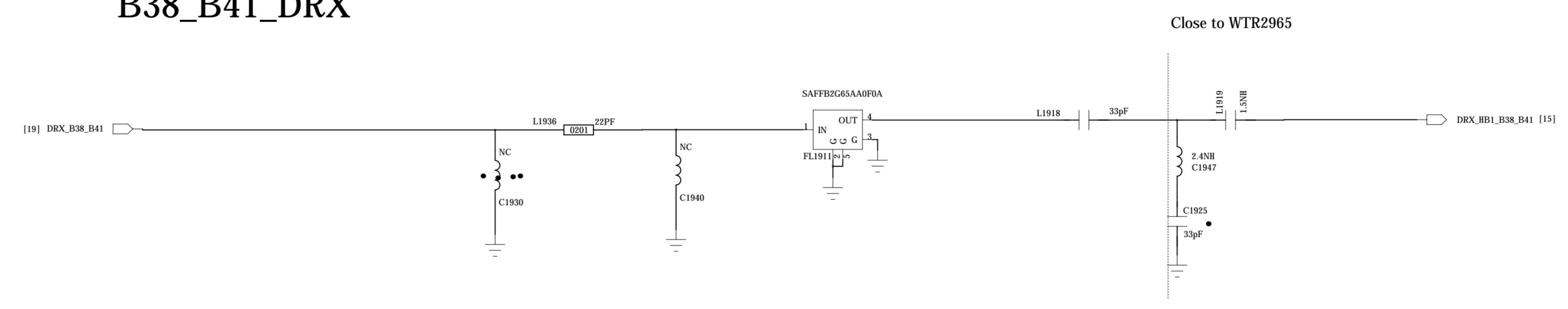
TRX_TDS_B34_B39



B40_DRX



B38_B41_DRX



| | | | | | |
|--------------------------|--|----------------------|--|------------------------------|----------|
| DRAWN: <Drawn By> | | DATE: <Drawn Date> | | COMPANY: <Company Name> | |
| CHECKED: <Checked By> | | DATE: <Checked Date> | | TITLE: <Title> | |
| QUALITY CONTROL: <QC By> | | DATE: <QC Date> | | CODE: <Code> | SIZE: A0 |
| RELEASED: <Released By> | | DATE: <Release Date> | | DRAWING NO: <Drawing Number> | |
| SCALE: <Scale> | | SHEET: 19 | | 21 | |

