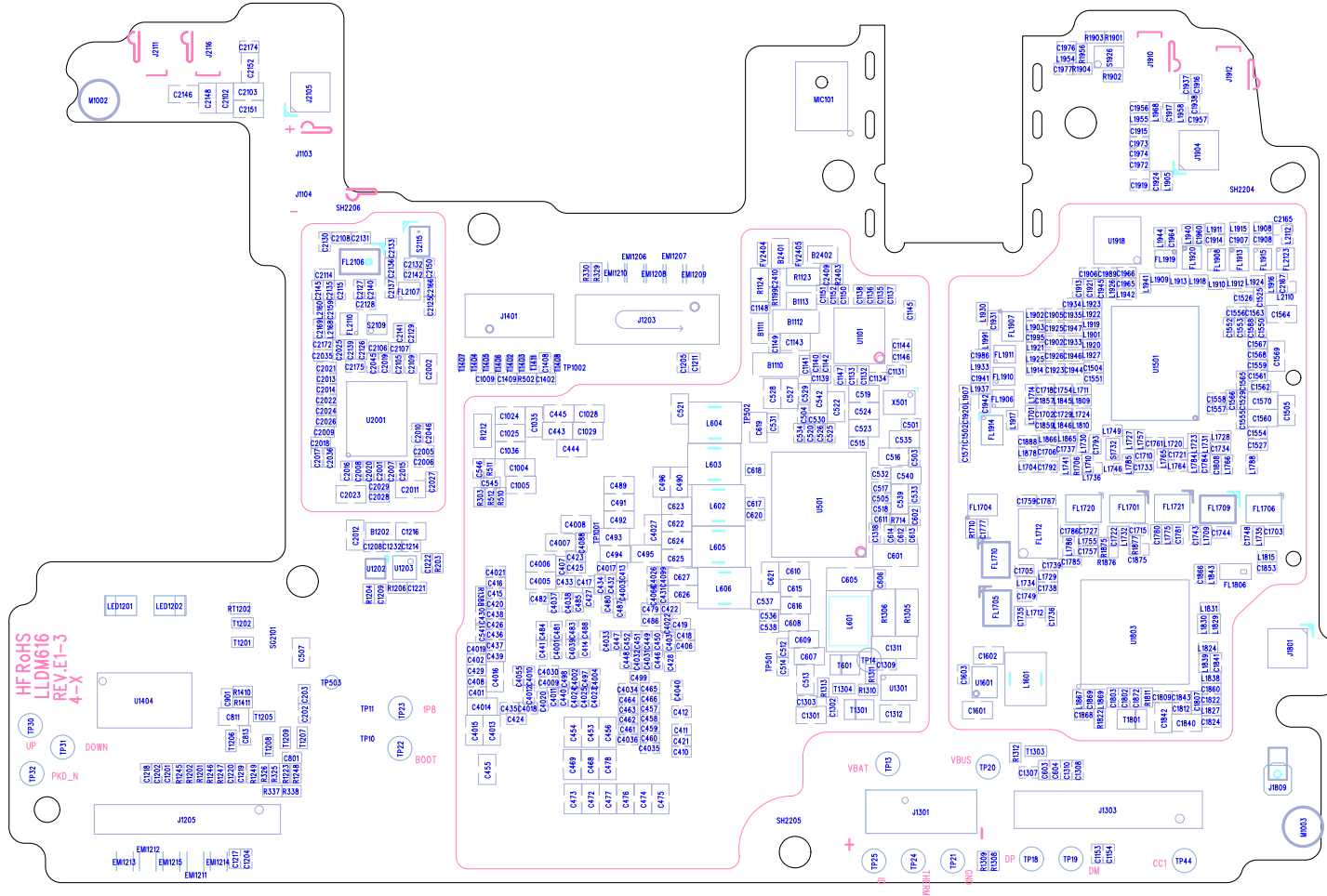
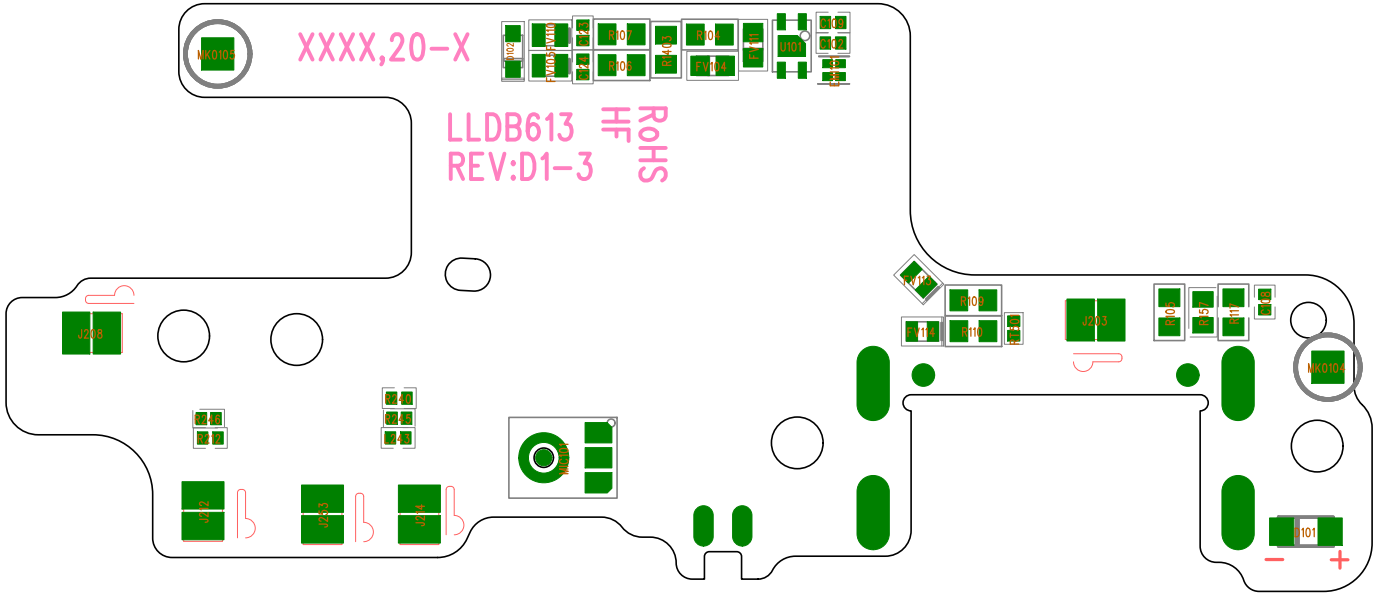


VIETMOBILE.VN



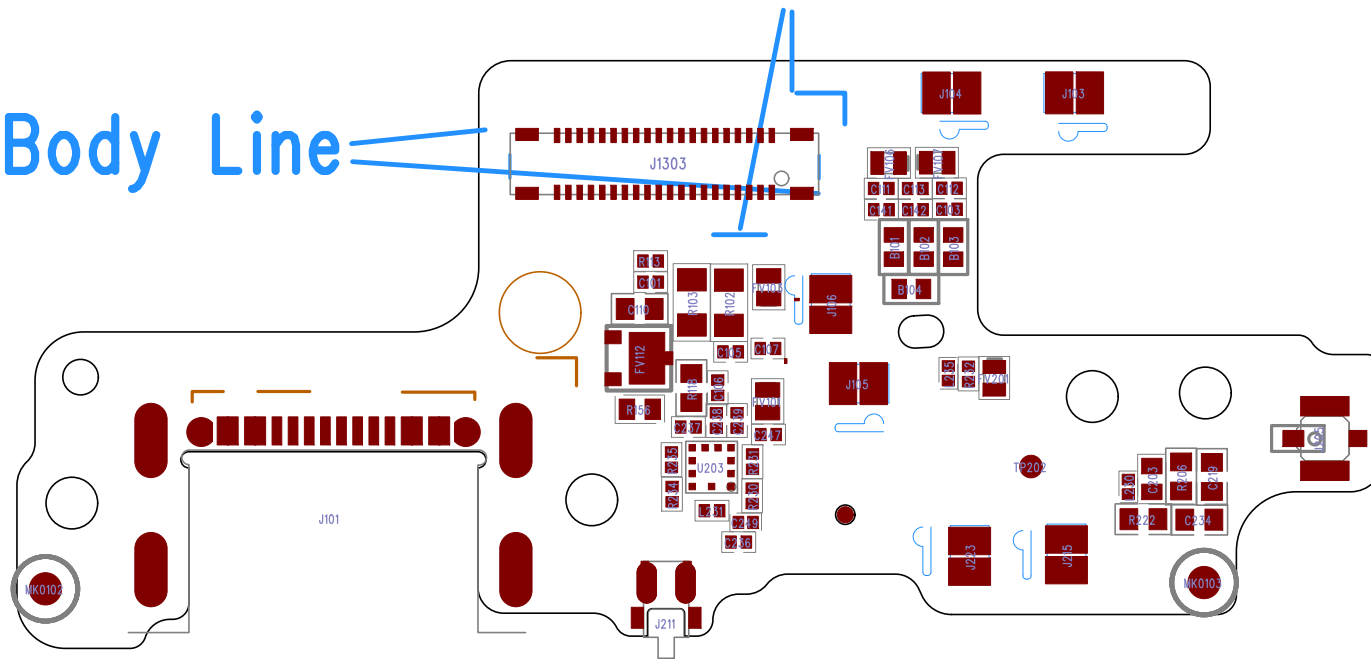
VIETMOBILE.VN



VIETMOBILE.VN

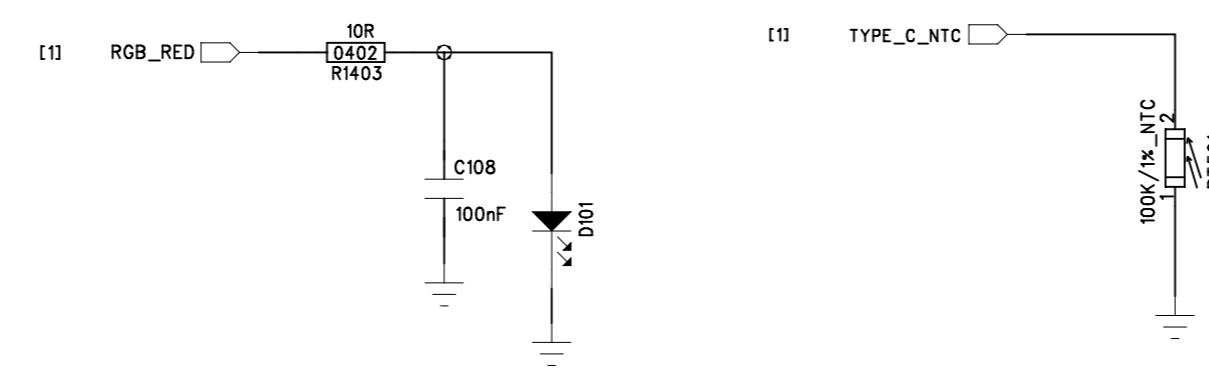
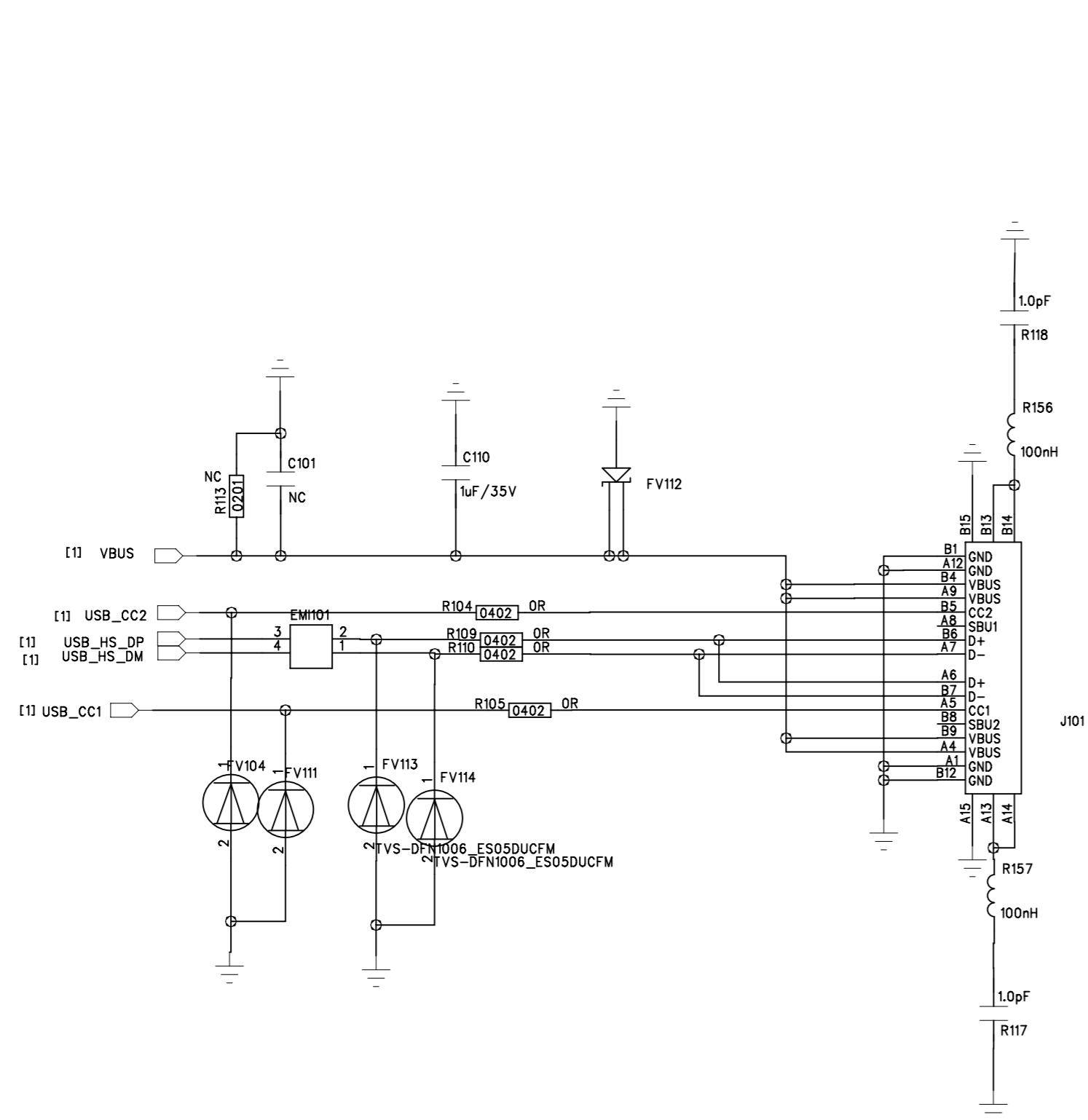
BTB Assembly Line

BTB Body Line

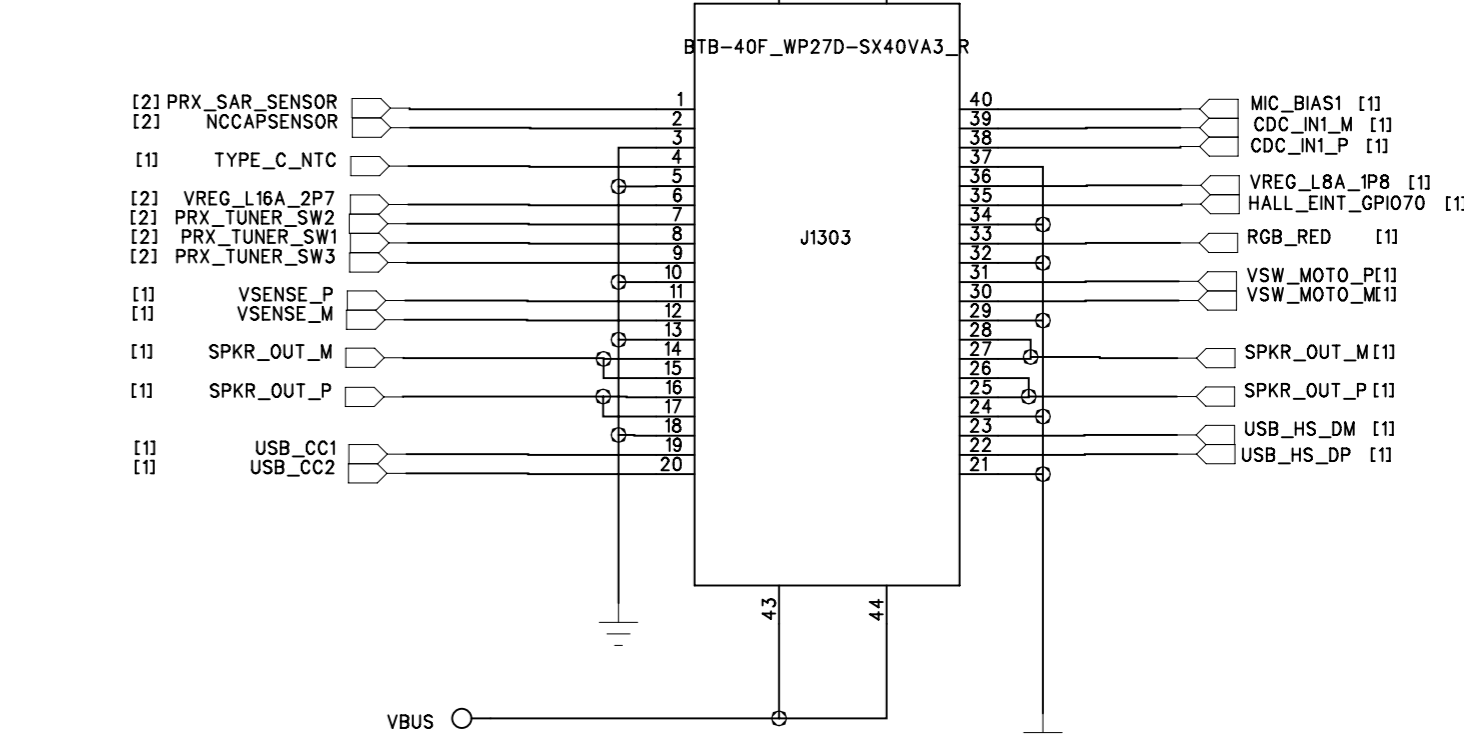
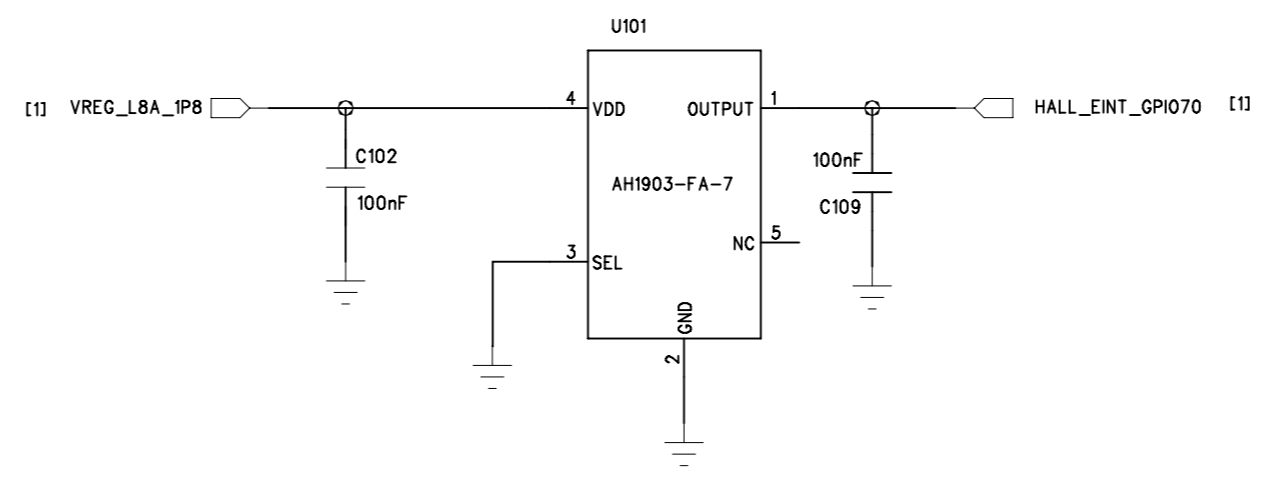


REVISION RECORD			
LTR	ECO NO:	APPROVED:	DATE:

USB Connector

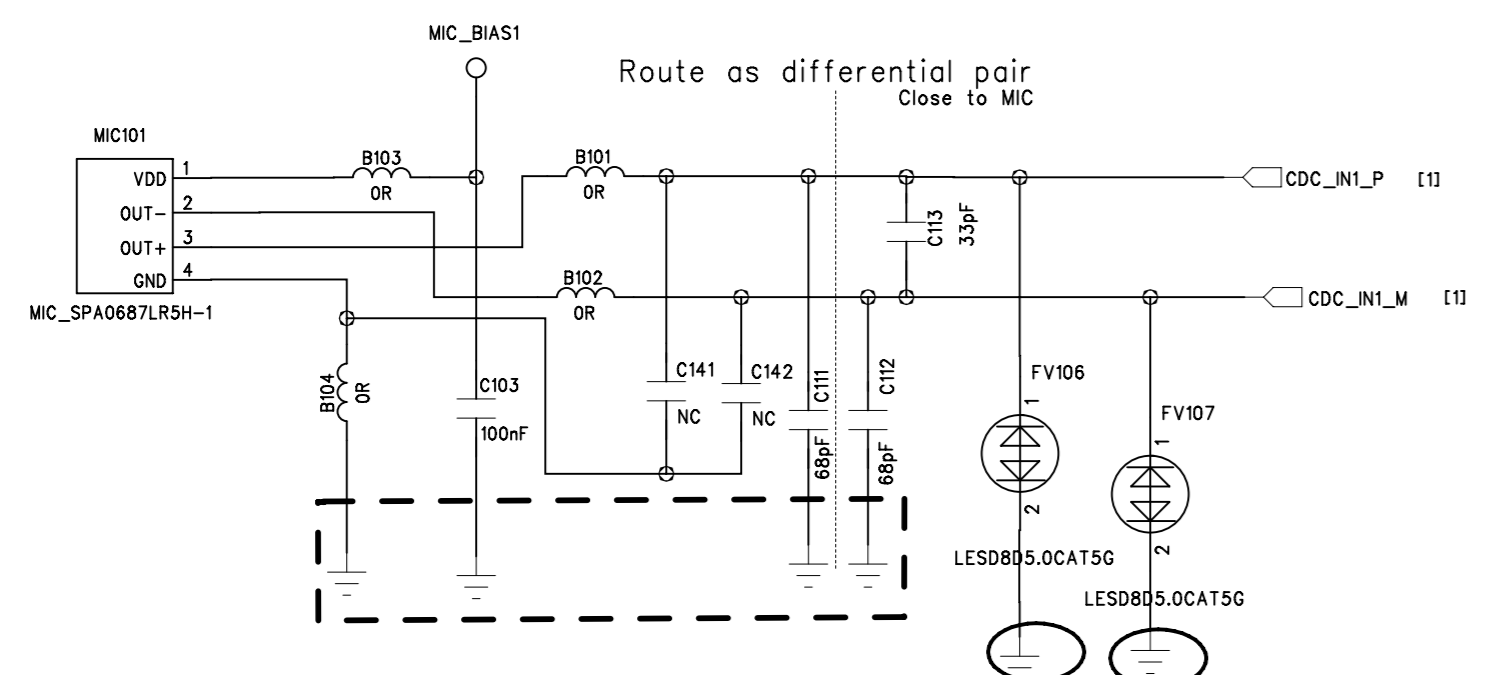


HALL

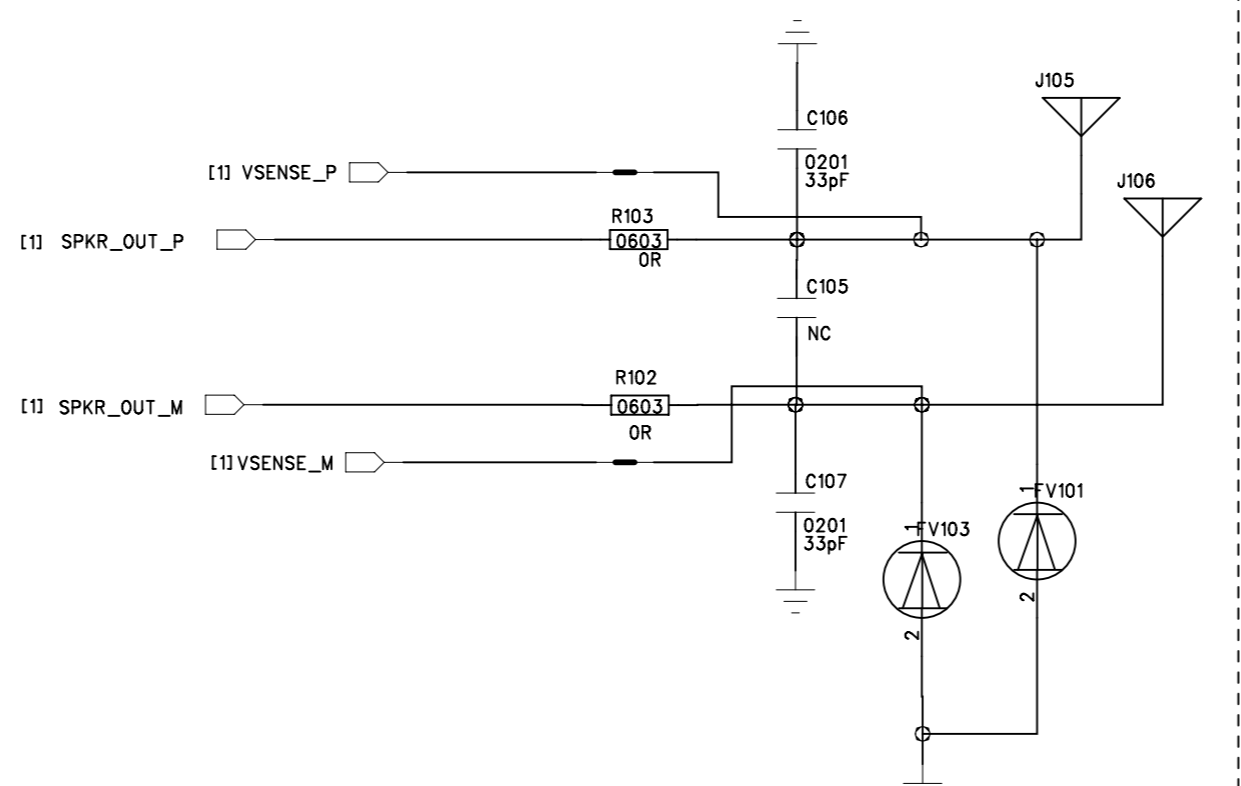


SUB connector

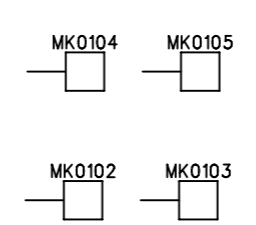
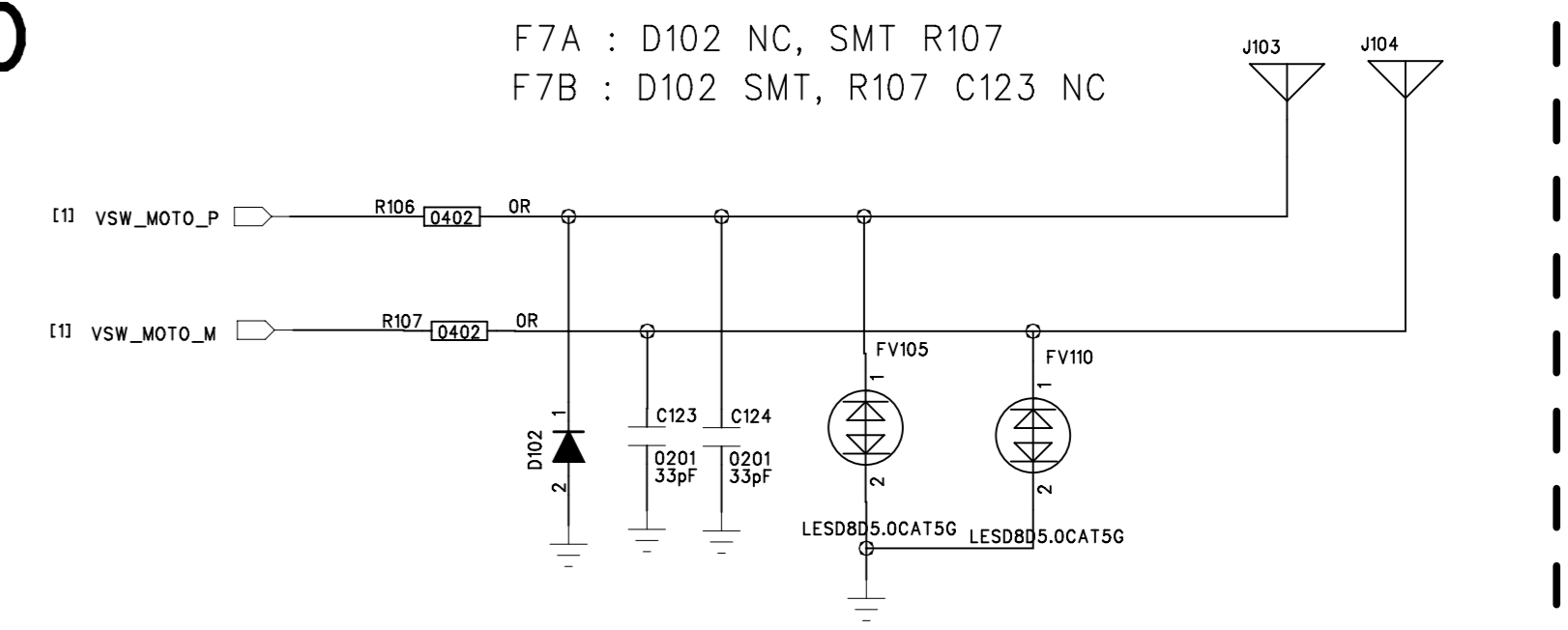
Main MIC



SPK

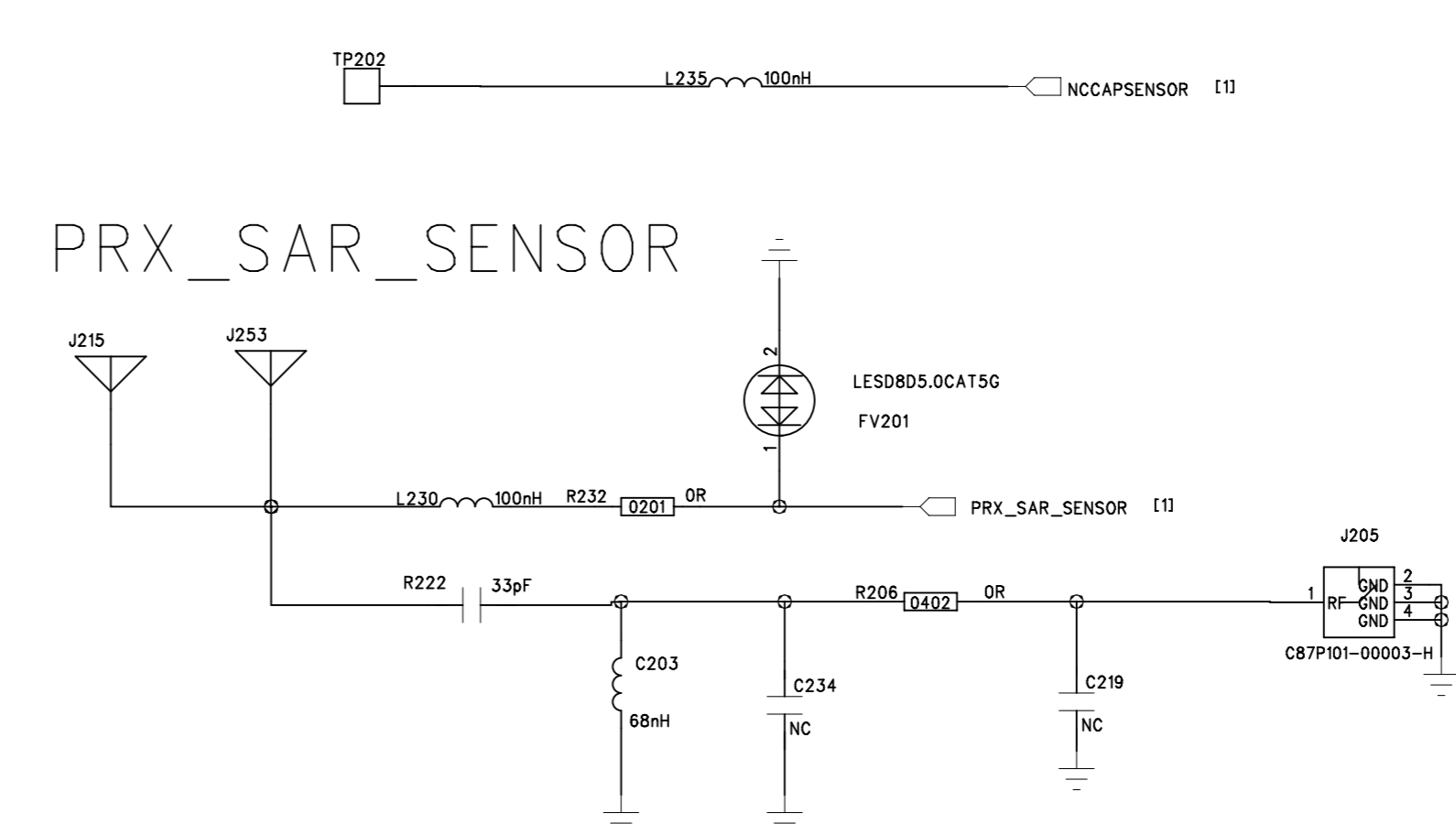
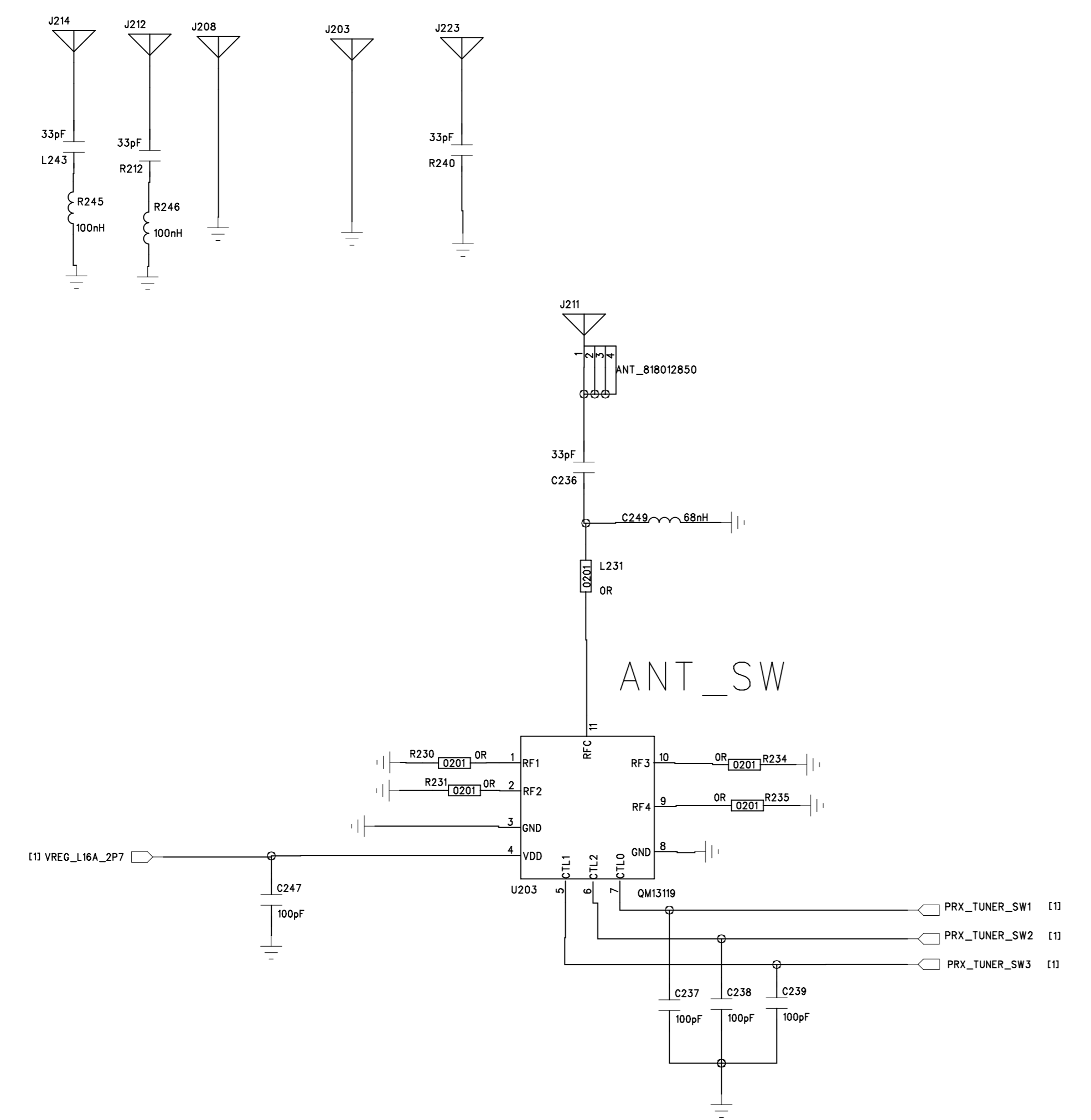


MOTO



COMPANY:		<Company Name>			
TITLE:		<Title>			
DRAWN:	DATED:	CODE:	SIZE:	DRAWING NO:	REV:
<Drawn By>	<Drawn Date>				
CHECKED:	DATED:				
<Checked By>	<Checked Date>				
QUALITY CONTROL:	DATED:				
<QC By>	<QC Date>				
RELEASED:	DATED:				
<Released By>	<Release Date>				

REVISION RECORD			
LTR	ECO NO:	APPROVED:	DATE:



COMPANY: <Company Name>			
TITLE: <Title>			
DRAWN: <Drawn By>	DATED: <Drawn Date>	CODE: <Code>	SIZE: A
CHECKED: <Checked By>	DATED: <Checked Date>	DRAWING NO: A<Drawing Number>	
QUALITY CONTROL: <QC By>	DATED: <QC Date>	REVISION: <Revision>	
RELEASED: <Released By>	DATED: <Release Date>	SCALE: <Scale>	SHEET: 2 OF 2

REVISION RECORD			
ITR	ECO NO.	APPROVED	DATE

SDM636 GPIO Configuration For Starlord

GPIO_0	FP_SPI_MISO	GPIO_50	NFC_CLKREQ	GPIO_100	NC	LPI_26	NC
GPIO_1	FP_SPI_MOSI	GPIO_51	QLINK_REQUEST	GPIO_101	FP_RESET_N	LPI_27	NC
GPIO_2	FP_SPI_SCLK	GPIO_52	QLINK_ENABLE	GPIO_102	WLAN_SW_CTRL	LPI_28	NC
GPIO_3	I2C_TP_CS_N	GPIO_53	NC	GPIO_103	LCD_ID	LPI_29	NC
GPIO_4	TS_I2C_SDA	GPIO_54	NC	GPIO_104	USB_PHY_PS	LPI_30	LPI_QCA_SB_DATA
GPIO_5	TS_I2C_SCL	GPIO_55	NC	GPIO_105	WMSS_RESET	LPI_31	LPI_QCA_SB_CLK
GPIO_6	ESB_SPI_MISO	GPIO_56	NC	GPIO_106	MSS_LTE_COXM_TXD		
GPIO_7	ESB_SPI_MOSI	GPIO_57	NC	GPIO_107	MSS_LTE_COXM_RXD		
GPIO_8	ESB_SPI_SCLK	GPIO_58	NC	GPIO_108	WSA_SPKR_SD_N_1		
GPIO_9	ESB_SPI_CS_N	GPIO_59	NC	GPIO_109	NC		
GPIO_10	BT_UART_CTS_N	GPIO_60	NC	GPIO_110	WSA_DATA		
GPIO_11	BT_UART_RFR_N	GPIO_61	RFFE1_DATA	GPIO_111	WSA_CLK		
GPIO_12	BT_UART_TX_N	GPIO_62	RFFE1_CLK	GPIO_112	RCM_MARKER2		
GPIO_13	BT_UART_RX_N	GPIO_63	RFFE2_DATA	GPIO_113	NC		
GPIO_14	NFC_I2C_SDA	GPIO_64	RFFE2_CLK	GPIO_114	NC		
GPIO_15	NFC_I2C_SCL	GPIO_65	RFFE3_DATA	GPIO_115	NC		
GPIO_16	DEBUG_UART_TX	GPIO_66	RFFE3_CLK	GPIO_116	NC		
GPIO_17	DEBUG_UART_RX	GPIO_67	RFFE4_DATA	GPIO_117	NC		
GPIO_18	SHARED_I2C_SDA	GPIO_68	RFFE4_CLK	GPIO_118	NC		
GPIO_19	SHARED_I2C_SCL	GPIO_69	RFFE5_DATA	GPIO_119	NC		
GPIO_20	NC	GPIO_70	RFFE5_CLK	GPIO_120	NC		
GPIO_21	NC	GPIO_71	RFFE6_CLK	GPIO_121	NC		
GPIO_22	NC	GPIO_72	RFFE6_DATA	GPIO_122	NC		
GPIO_23	NC	GPIO_73	UIM2_DATA				
GPIO_24	NC	GPIO_74	UIM2_CLK	LPI_0	SSC_I2C1_SDA		
GPIO_25	NC	GPIO_75	UIM2_RESET	LPI_1	SSC_I2C1_SCL		
GPIO_26	NC	GPIO_76	UIM2_PRESENT	LPI_2	SSC_SPI1_MISO		
GPIO_27	NC	GPIO_77	UIM1_DATA	LPI_3	SSC_SPI1_MOSI		
GPIO_28	CAM_MCLK0	GPIO_78	UIM1_CLK	LPI_4	SSC_SPI1_SCLK		
GPIO_29	CAM_MCLK1	GPIO_79	UIM1_RESET	LPI_5	SSC_SPI1_CS0_N		
GPIO_30	CAM_MCLK2	GPIO_80	UIM1_PRESENT	LPI_6	NC		
GPIO_31	CAM_MCLK3	GPIO_81	ACCEL_INT	LPI_7	NC		
GPIO_32	CCI_I2C_SDA0	GPIO_82	GYRO_INT	LPI_8	TS_SPI_MISO		
GPIO_33	CCI_I2C_SCL0	GPIO_83	MAG_DRDY_INT	LPI_9	TS_SPI_MOSI		
GPIO_34	CCI_I2C_SDA1	GPIO_84	NFC_ENABLE	LPI_10	TS_SPI_SCLK		
GPIO_35	CCI_I2C_SCL1	GPIO_85	NFC_DWL_REQ	LPI_11	TS_SPI_CS_N		
GPIO_36	NC	GPIO_86	NFC_IRQ	LPI_12	LPI_UART1_TX		
GPIO_37	CAM2_RST_N	GPIO_87	NC	LPI_13	LPI_UART1_RX		
GPIO_38	NC	GPIO_88	TS_TRESET_M	LPI_14	LPI_UART2_TX		
GPIO_39	FL_STROBE_TRIG	GPIO_89	TS_INT_N	LPI_15	LPI_UART2_RX		
GPIO_40	NC	GPIO_90	MDP_VSYNCP	LPI_16	NC		
GPIO_41	NC	GPIO_91	LCD0_RESET_N	LPI_17	NC		
GPIO_42	NC	GPIO_92	ALSPG_INT_N	LPI_18	SWR_TX_CLK		
GPIO_43	PROCED_USB_BOOT_POLARITY	GPIO_93	FP_INT_N1	LPI_19	SWR_TX_DATA1		
GPIO_44	NC	GPIO_94	FP_INT_N2	LPI_20	SWR_TX_DATA2		
GPIO_45	CAM1_RST_N	GPIO_95	NC	LPI_21	SWR_RX_CLK		
GPIO_46	DVDD1_1P2_EN	GPIO_96	NC	LPI_22	SWR_RX_DATA1		
GPIO_47	CAM0_RST_N	GPIO_97	RCM_MARKER1	LPI_23	SWR_RX_DATA2		
GPIO_48	WCSS_PWR_REQ	GPIO_98	NC	LPI_24	CODEC_RST_N		
GPIO_49	NC	GPIO_99	SD_CARD_DET_N	LPI_25	NC		

PM6150	
GPIO_01	NC
GPIO_02	NC
GPIO_03	SMB_STAT
GPIO_04	NC
GPIO_05	SLB
GPIO_06	SD_CARD_DET_N
GPIO_07	NFC_SLEEP_CLK
GPIO_08	NC
GPIO_09	FMB1
GPIO_10	FMB2
AMUX_THERM1	Option_1
AMUX_THERM2	MSM_THERM
AMUX_THERM3	SMB_THERM
AMUX_THERM4	CONN_THERM

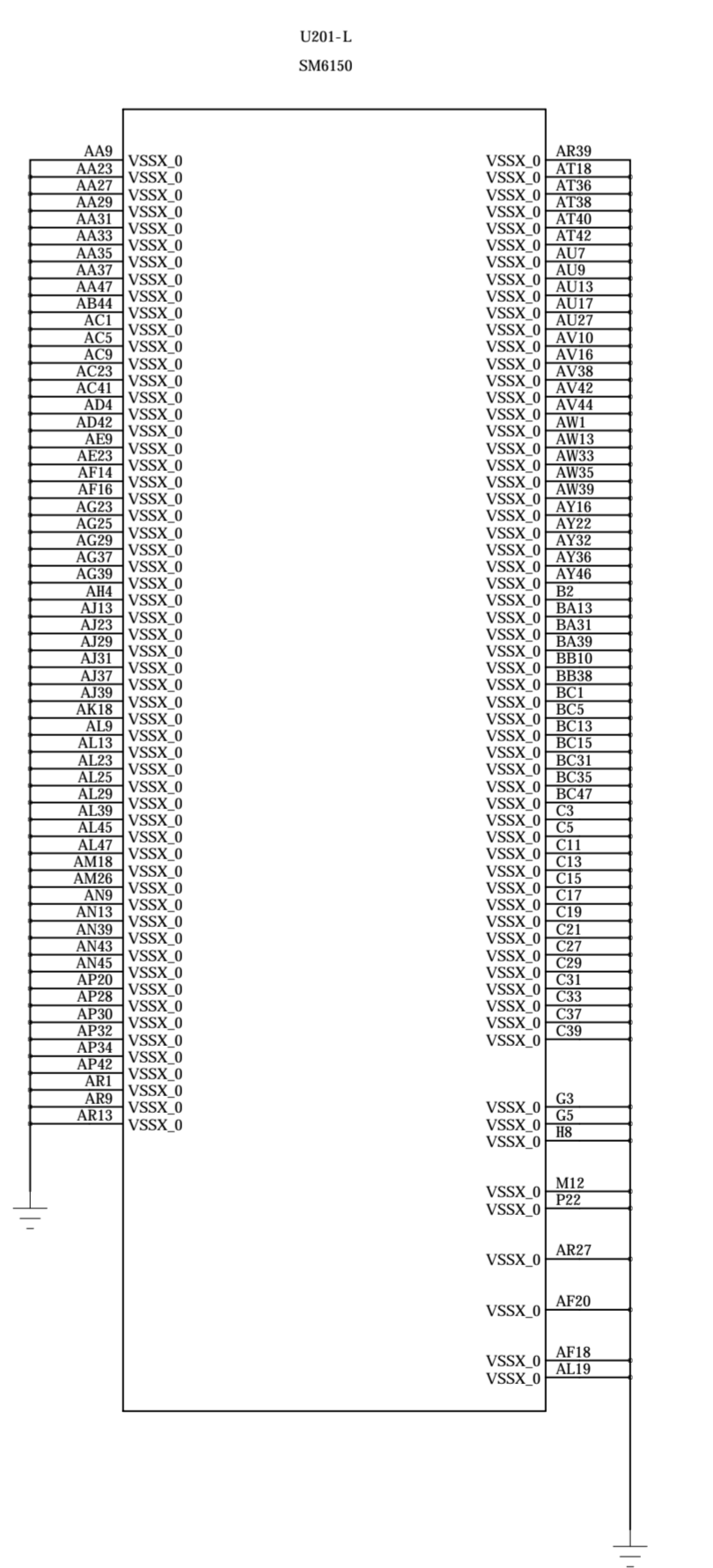
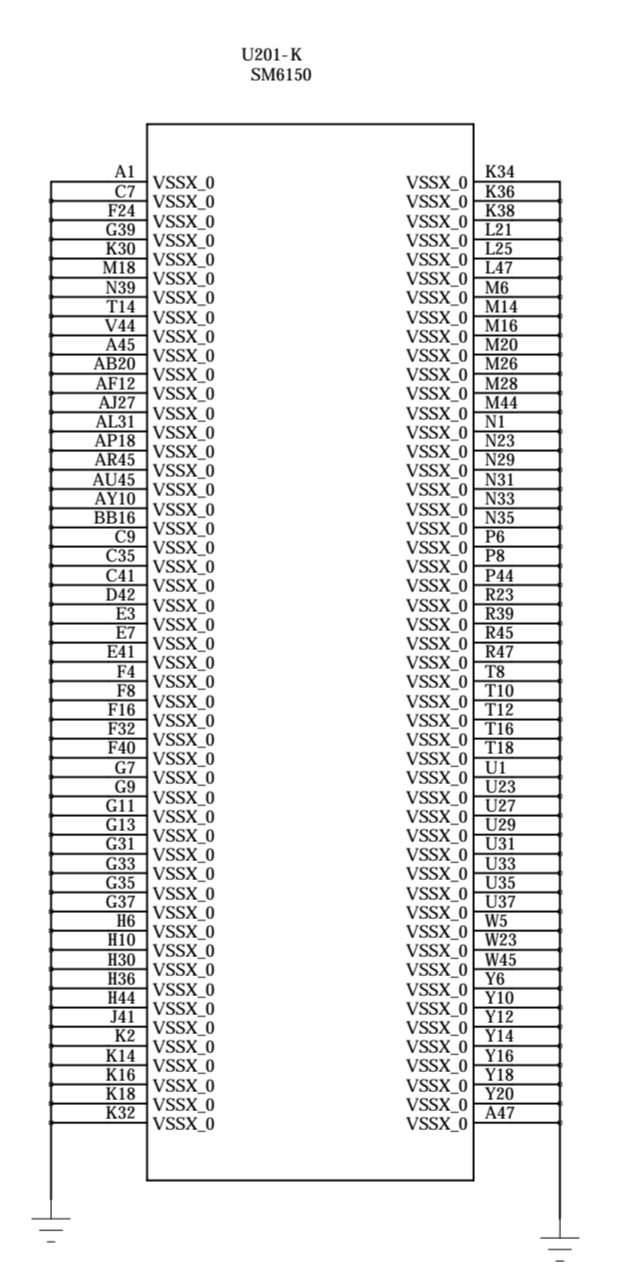
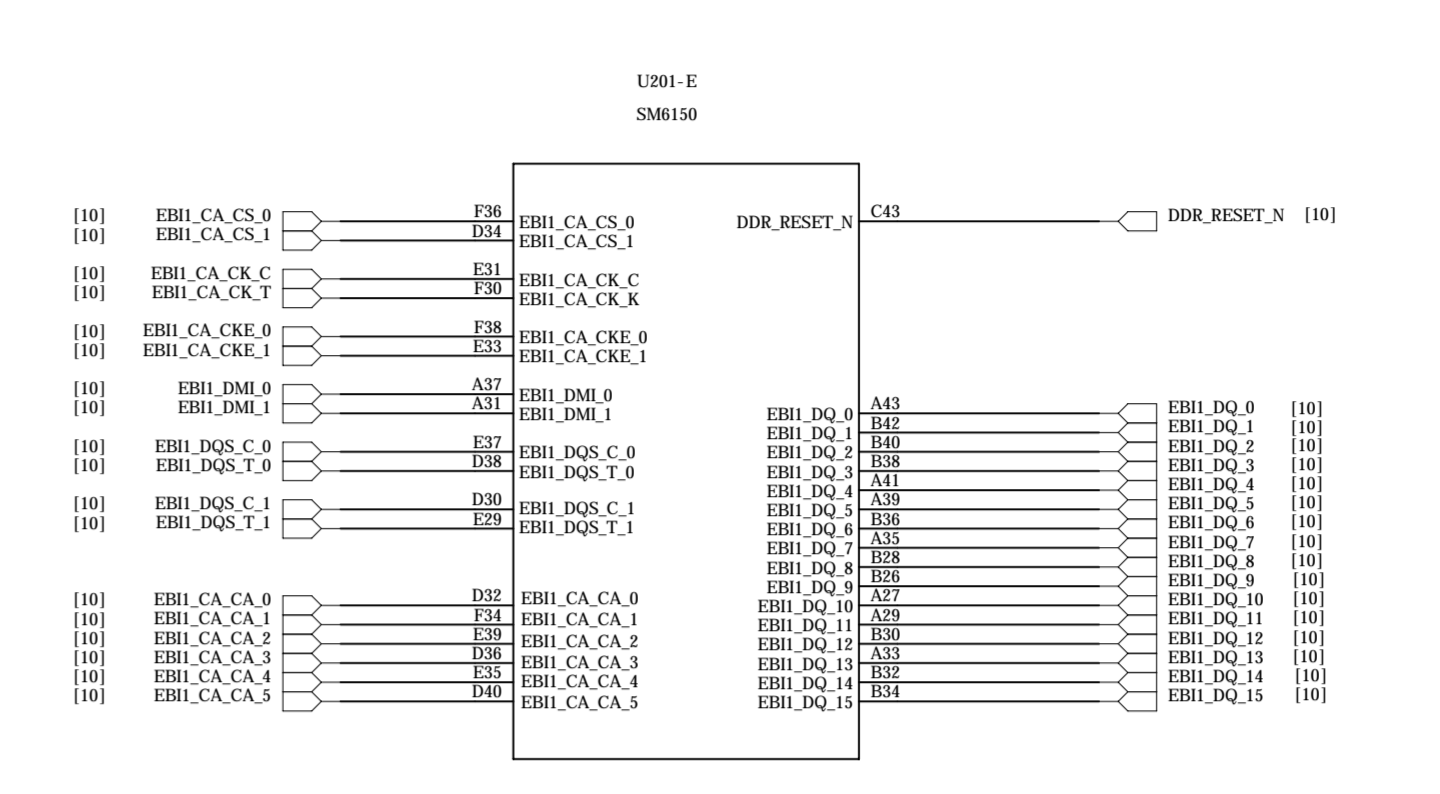
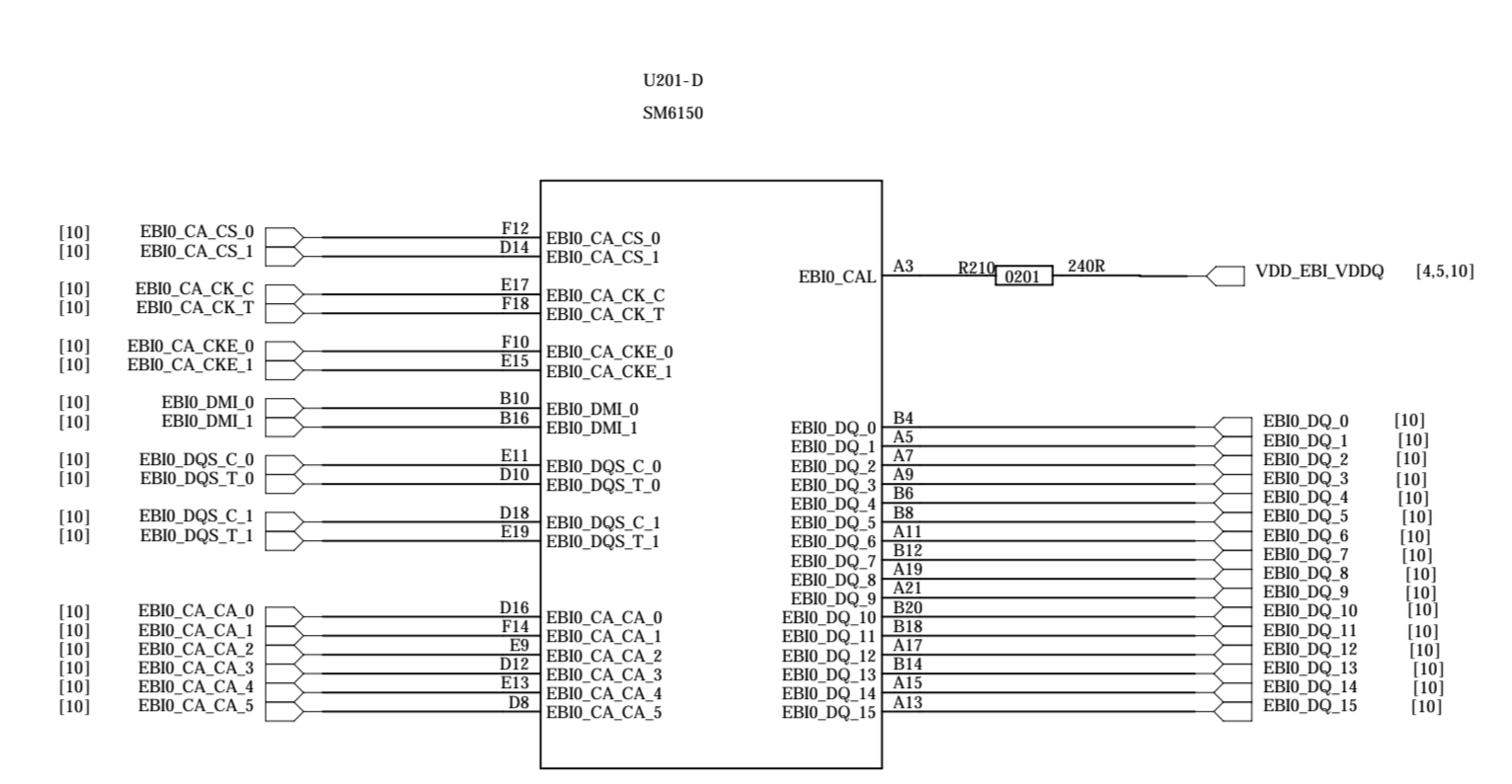
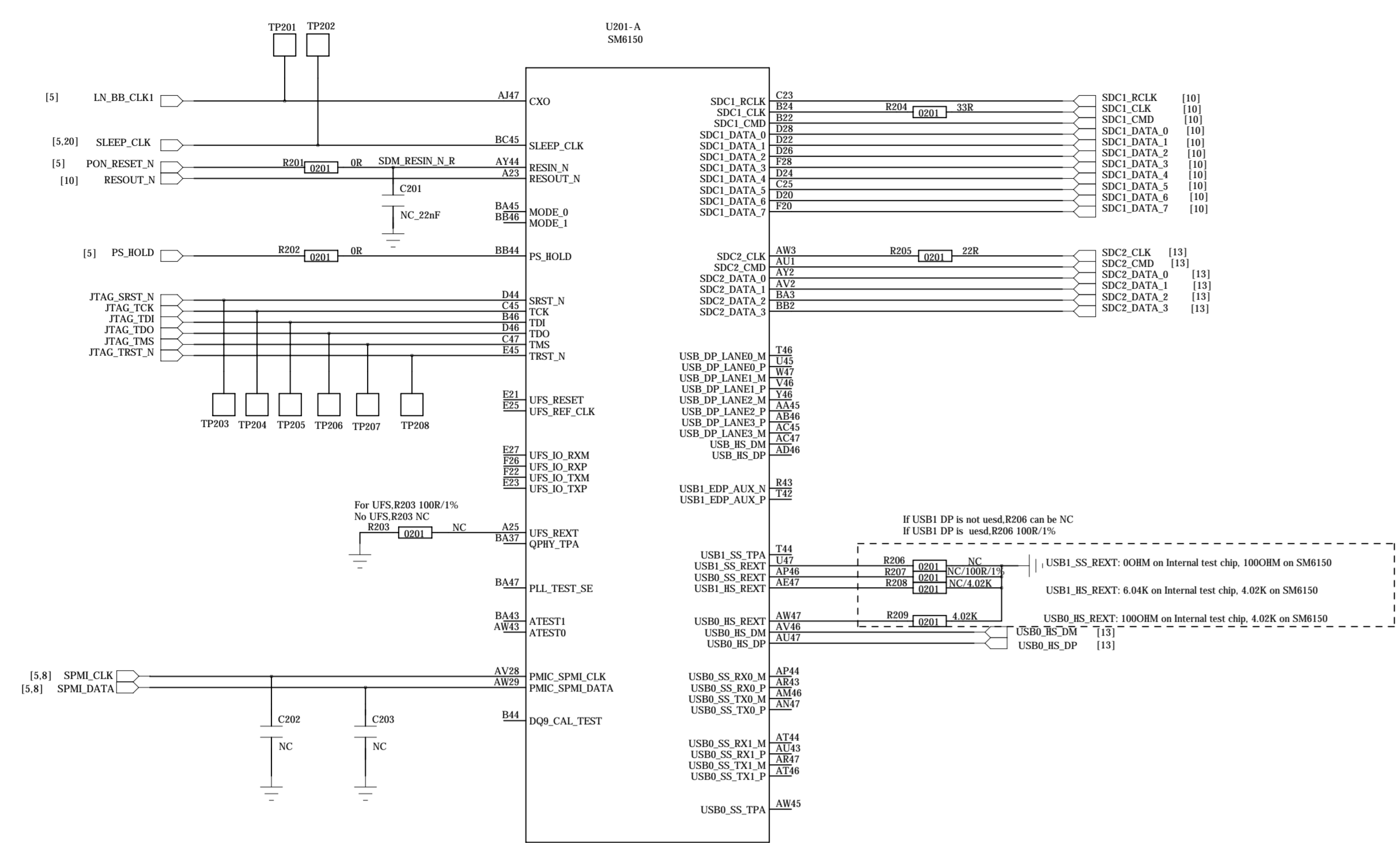
PM6150L	
GPIO_01	AOSS_SLEEP_INDICATOR
GPIO_02	KYPD_VOLDP_N
GPIO_03	DVDD_1P2_EN
GPIO_04	AVDD1_2P8_EN
GPIO_05	CAM_FLASH_THERM
GPIO_06	NC
GPIO_07	SLB
GPIO_08	NC
GPIO_09	AVDD0_2P8_EN
GPIO_10	QUIET_THERM
GPIO_11	NC
GPIO_12	NC
AMUX_THERM1	EMMC_THERM
AMUX_THERM2	PA_THERM0
AMUX_THERM3	NC

COMPANY: <Company Name>
TITLE: <Title>

DRAWN	CHECKED	QUALITY CONTROL	RELEASED	DATE	DATE	DATE	DATE	DATE
<Drawn By>	<Checked By>	<QC By>	<Released By>	<Drawn Date>	<Checked Date>	<QC Date>	<Release Date>	<Release Date>

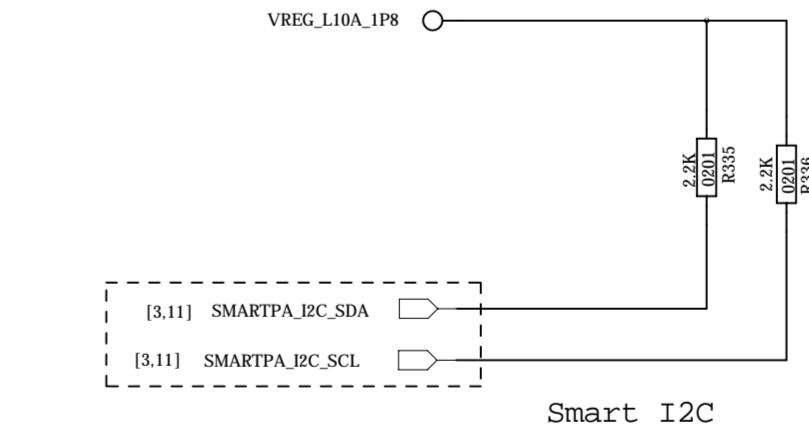
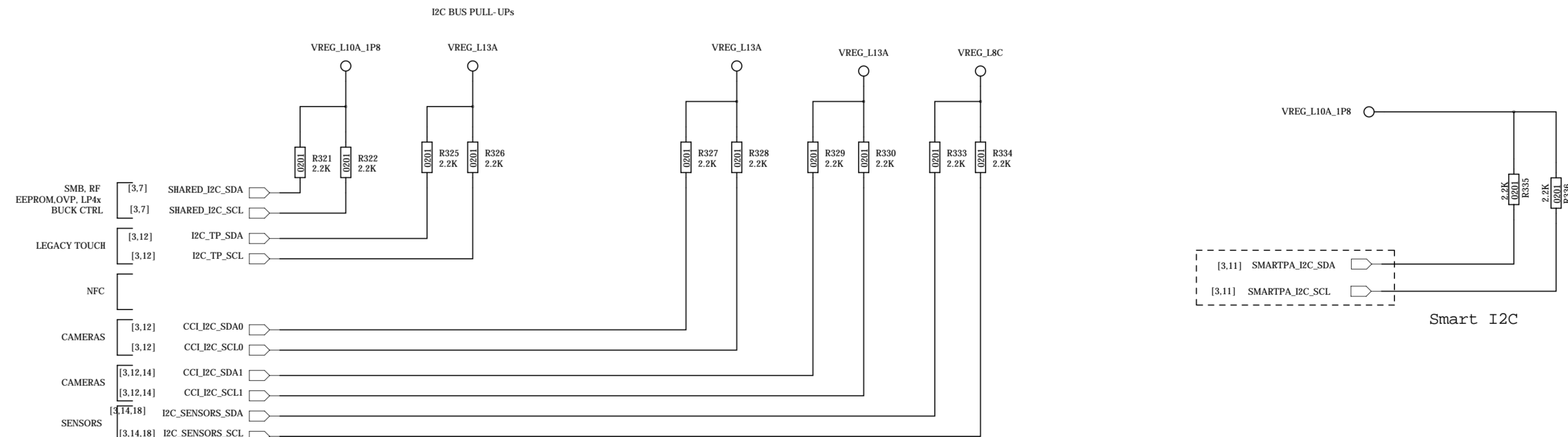
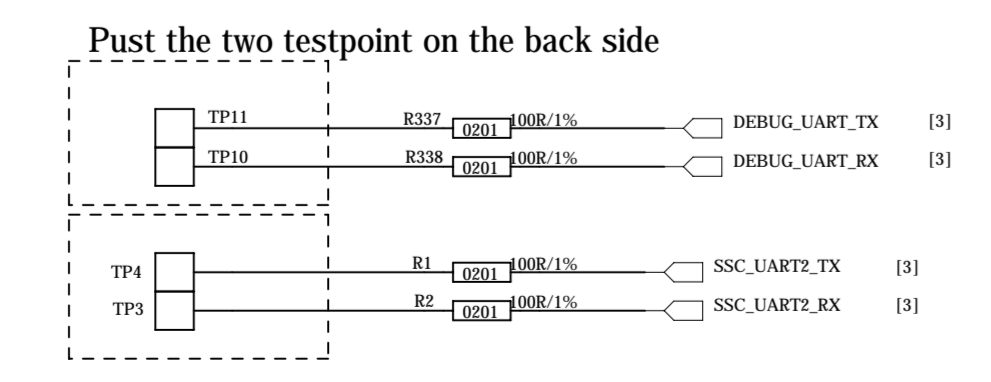
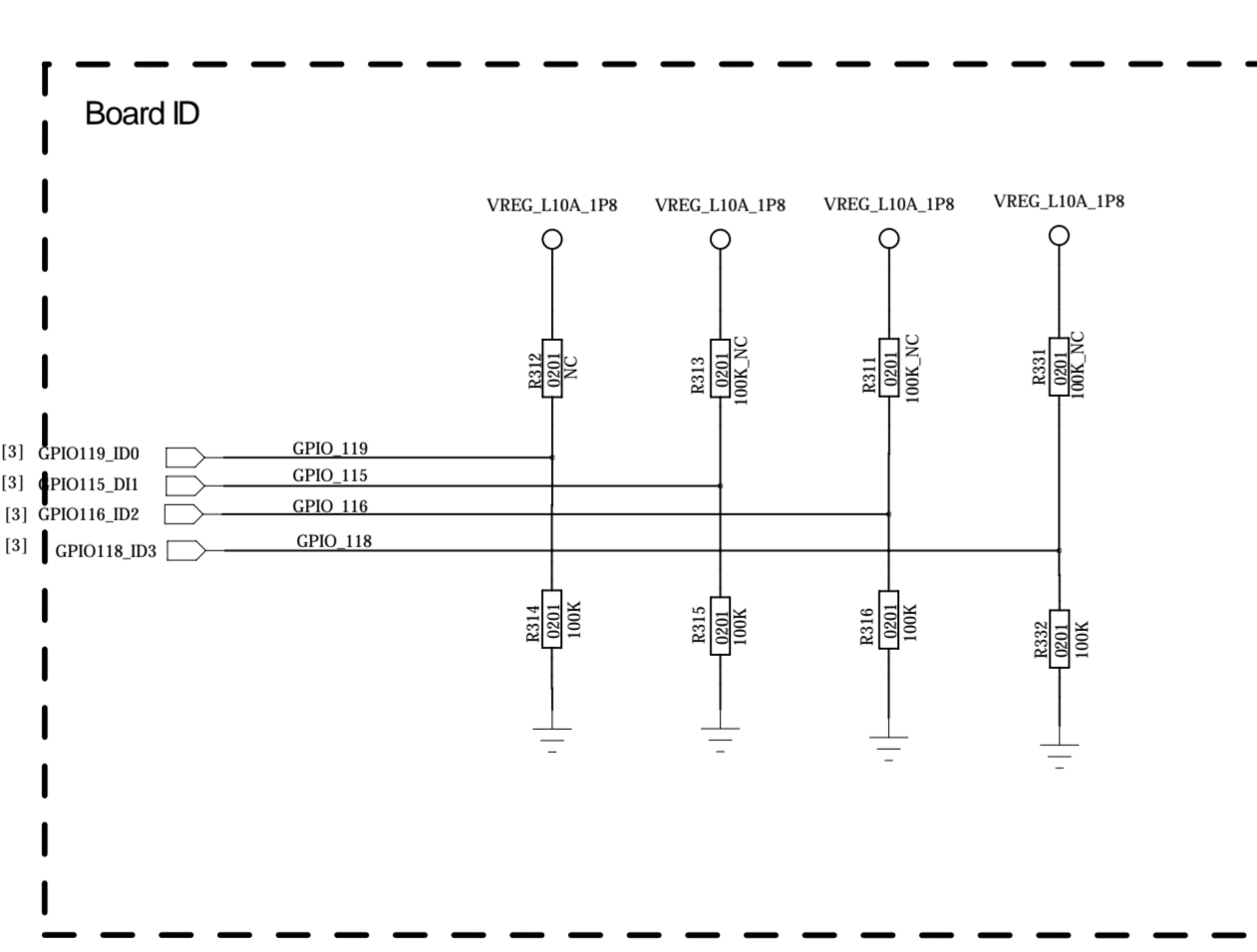
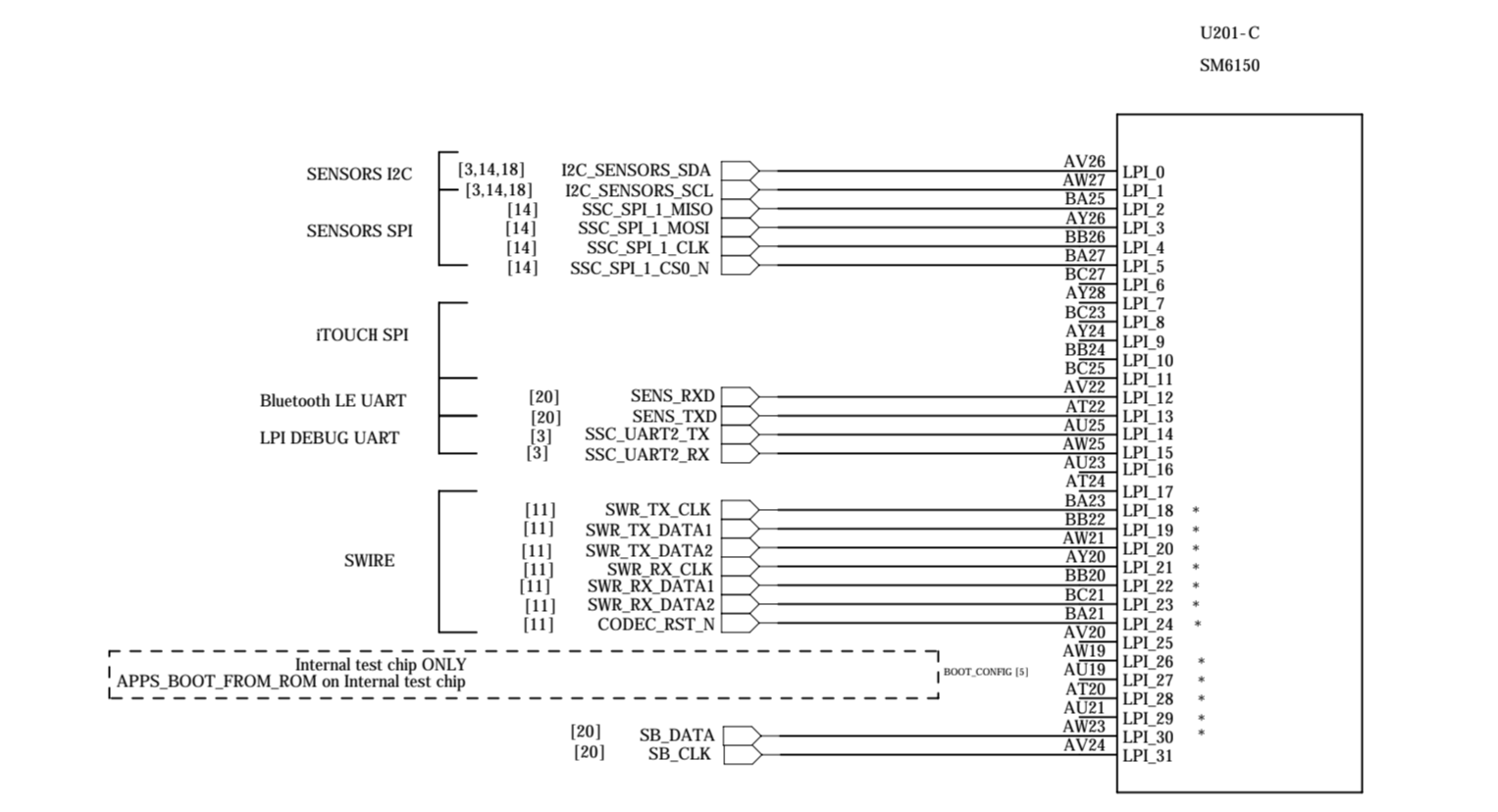
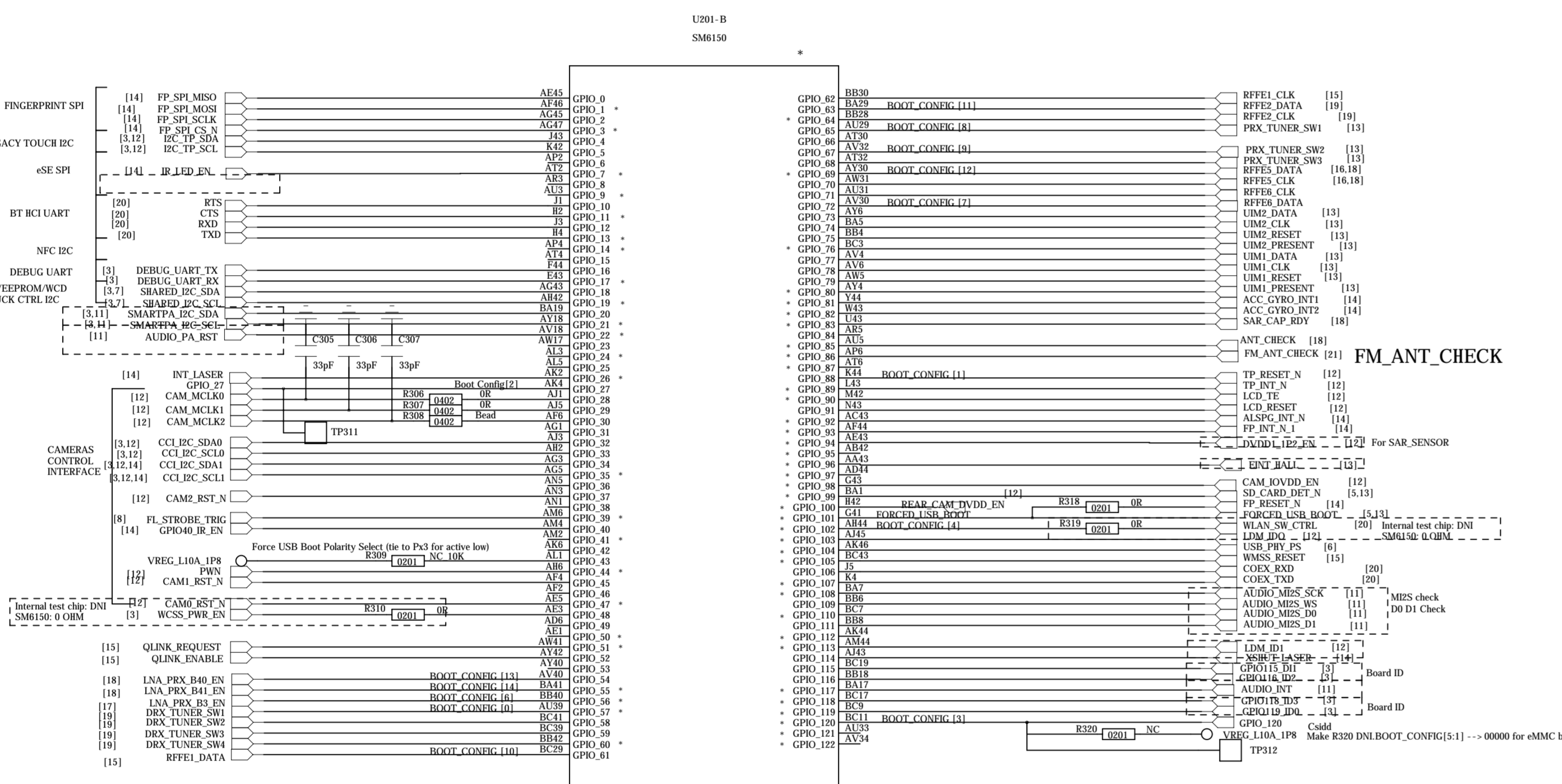
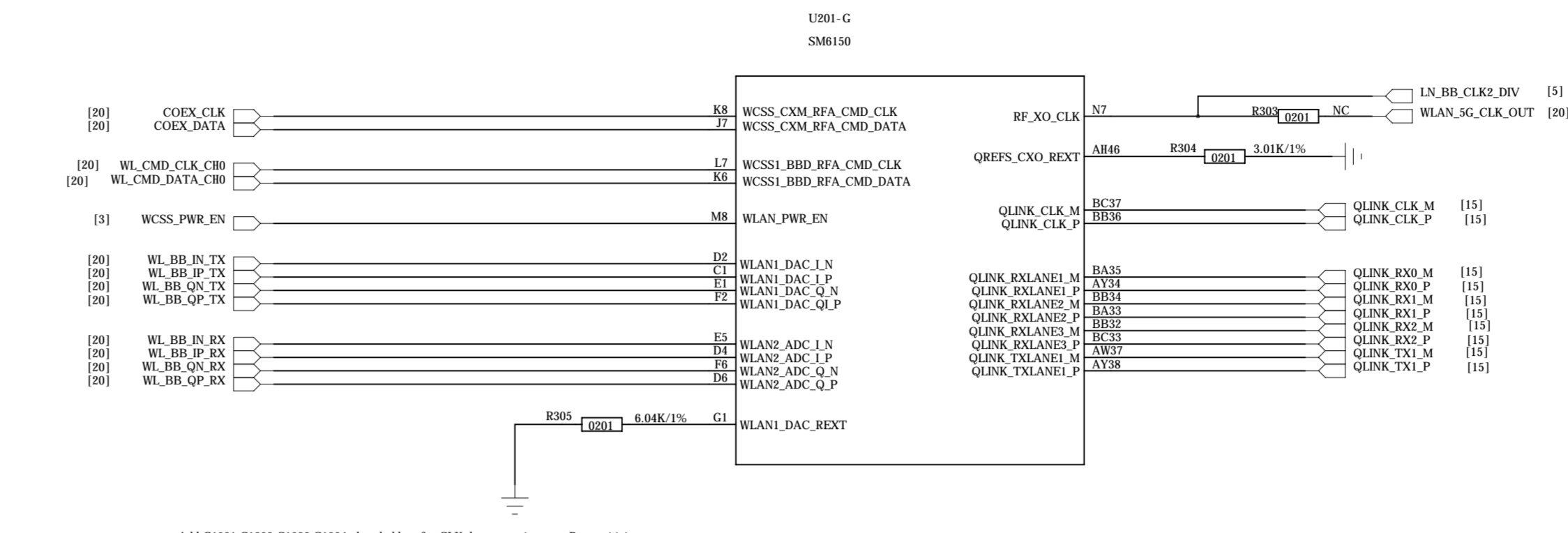
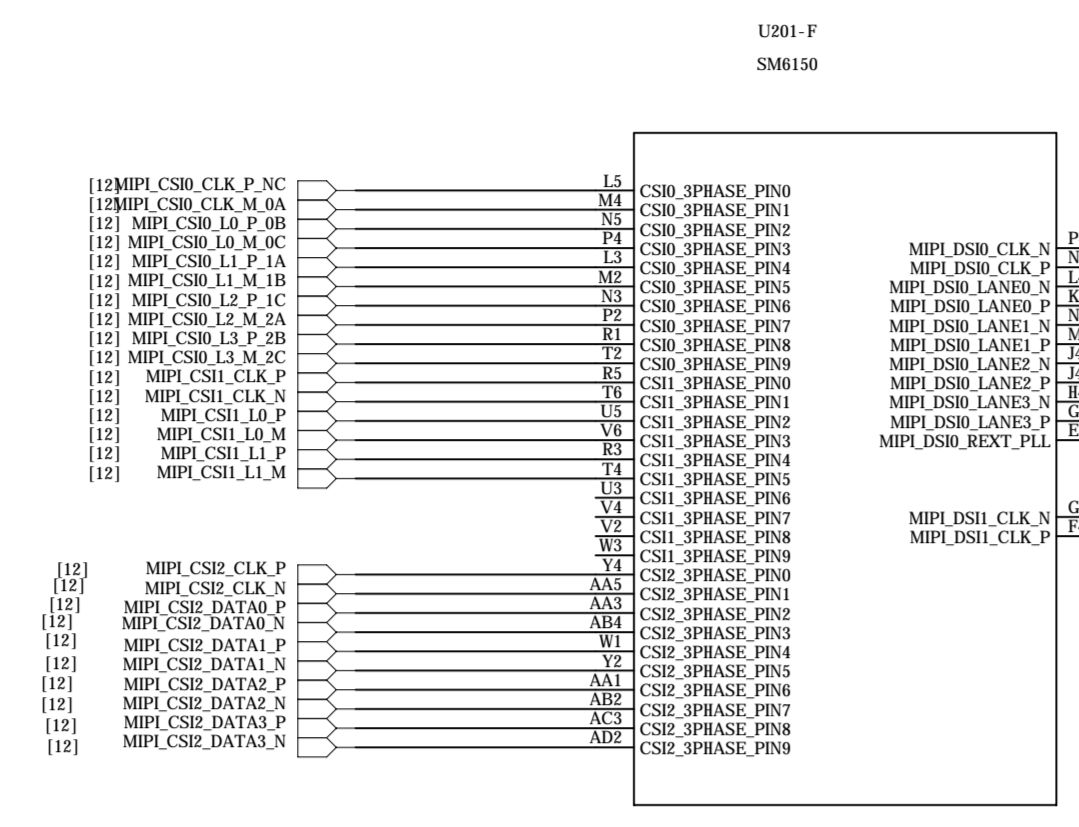
CODE: <Code> SIZE: A0 DRAWING NO: <Drawing Number> REV: <Revision>

REVISION RECORD			
LT#	ECO NO.	APPROVED	DATE



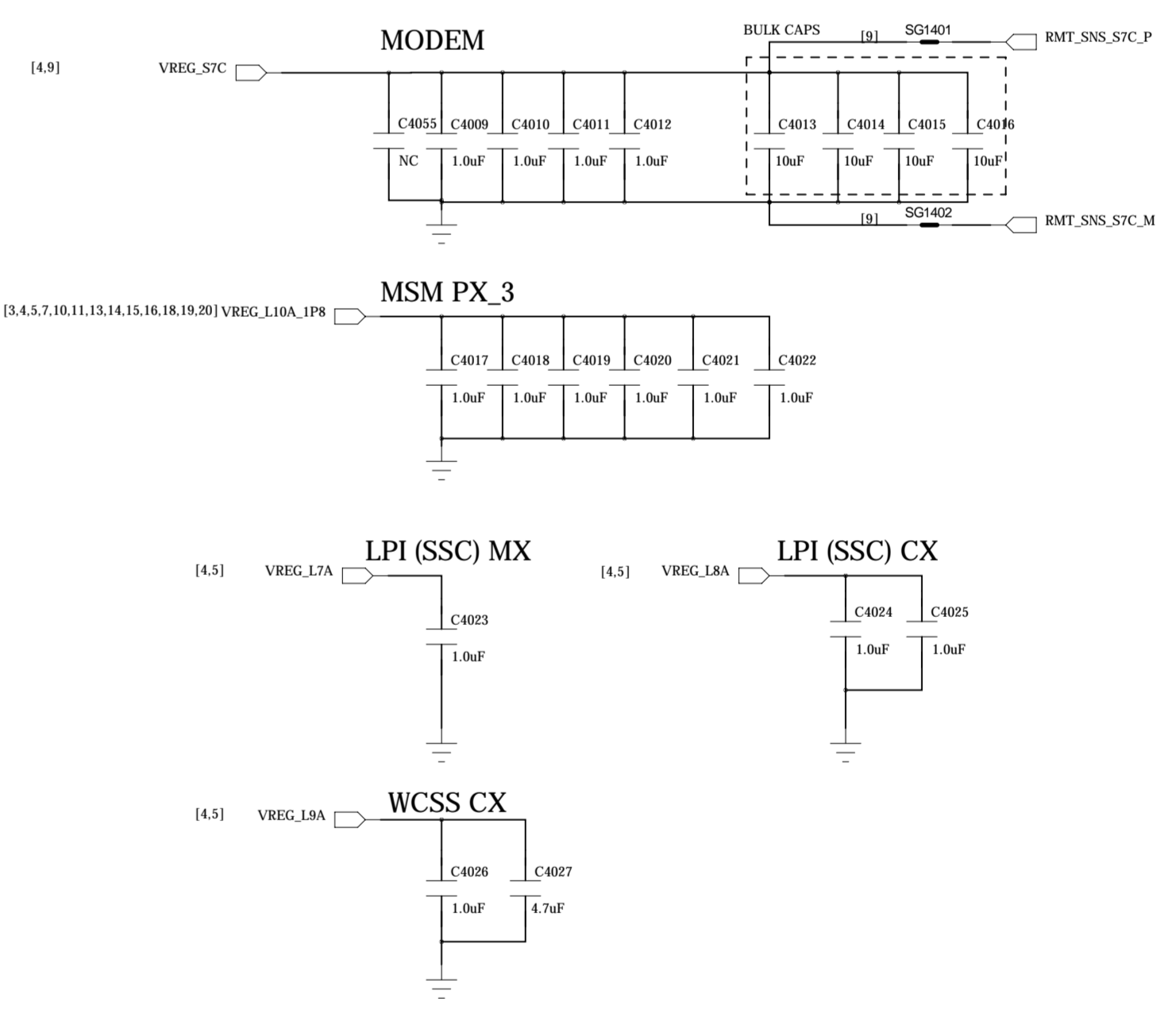
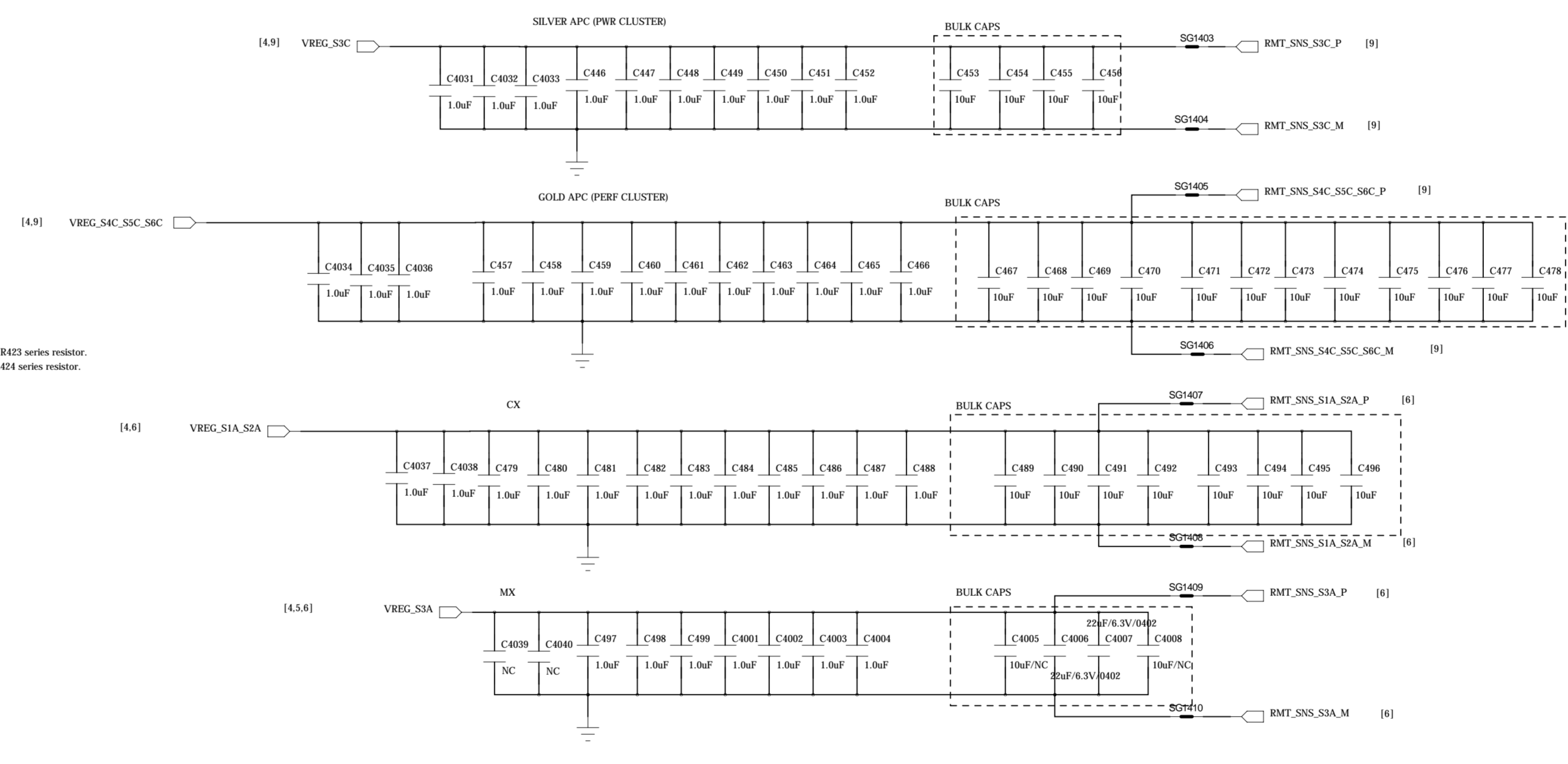
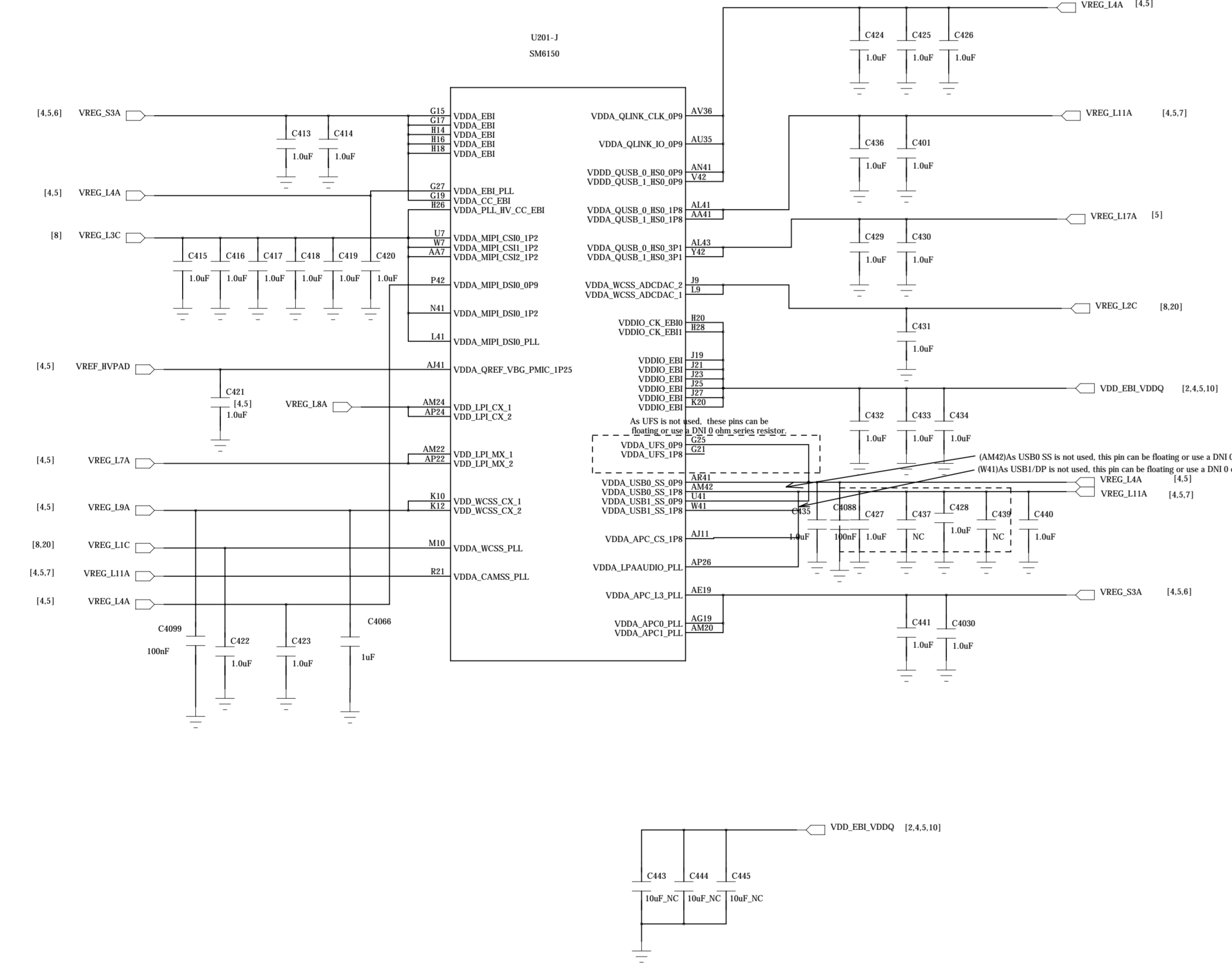
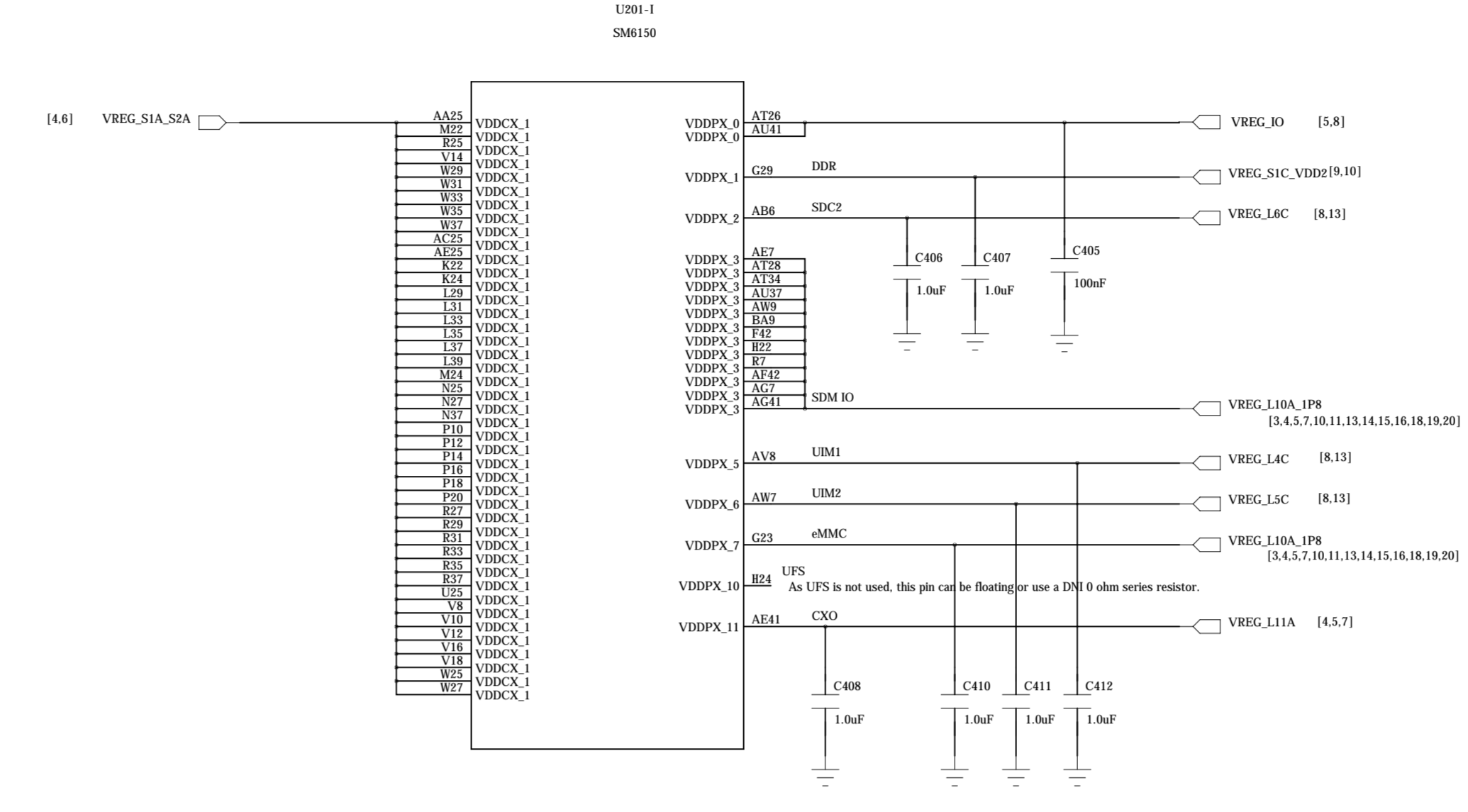
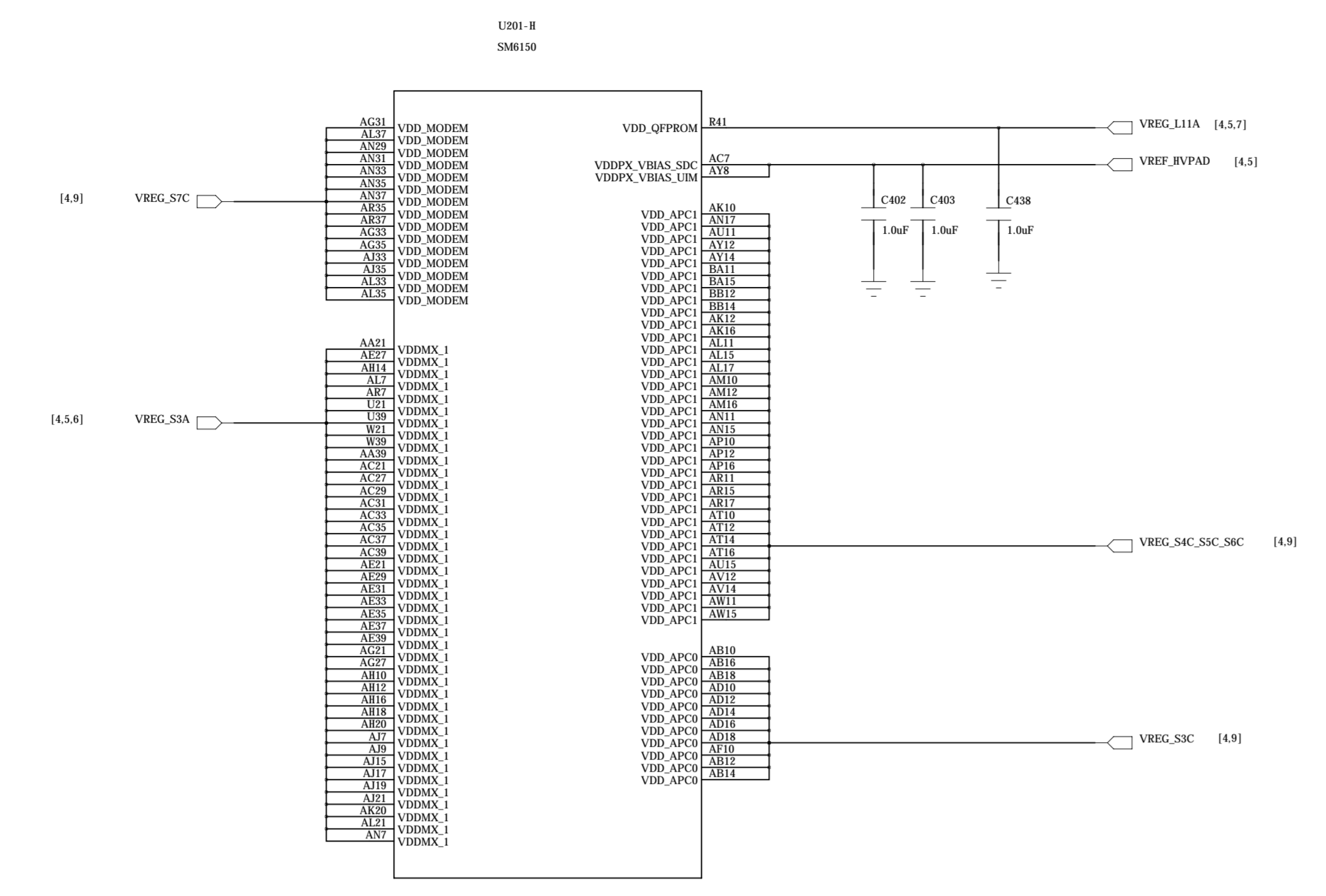
DRAWN: <Drawn By>		DATE: <Drawn Date>		COMPANY: <Company Name>	
CHECKED: <Checked By>		DATE: <Checked Date>		TITLE: <Title>	
QUALITY CONTROL: <QC By>		DATE: <QC Date>		CODE: <Code>	SIZE: A0
RELEASED: <Released By>		DATE: <Release Date>		DRAWING NO: <Drawing Number>	
		SCALE: <Scale>		REV: <Revision>	
				SHEET: 2# 22	

REVISION RECORD			
LTZ	ECO NO.	APPROVED	DATE



COMPANY: <Company Name>		TITLE: <Title>	
DRAWN: <Drawn By>	DATE: <Drawn Date>	CODE: <Code>	SIZE: A0
CHECKED: <Checked By>	DATE: <Checked Date>	DRAWING NO: <Drawing Number>	REV: <Revision>
QUALITY CONTROL: <QC By>	DATE: <QC Date>	SCALE: <Scale>	
RELEASED: <Released By>	DATE: <Release Date>	SHEET: 30 / 22	

REVISION RECORD			
LTB	ECO NO	APPROVED	DATE

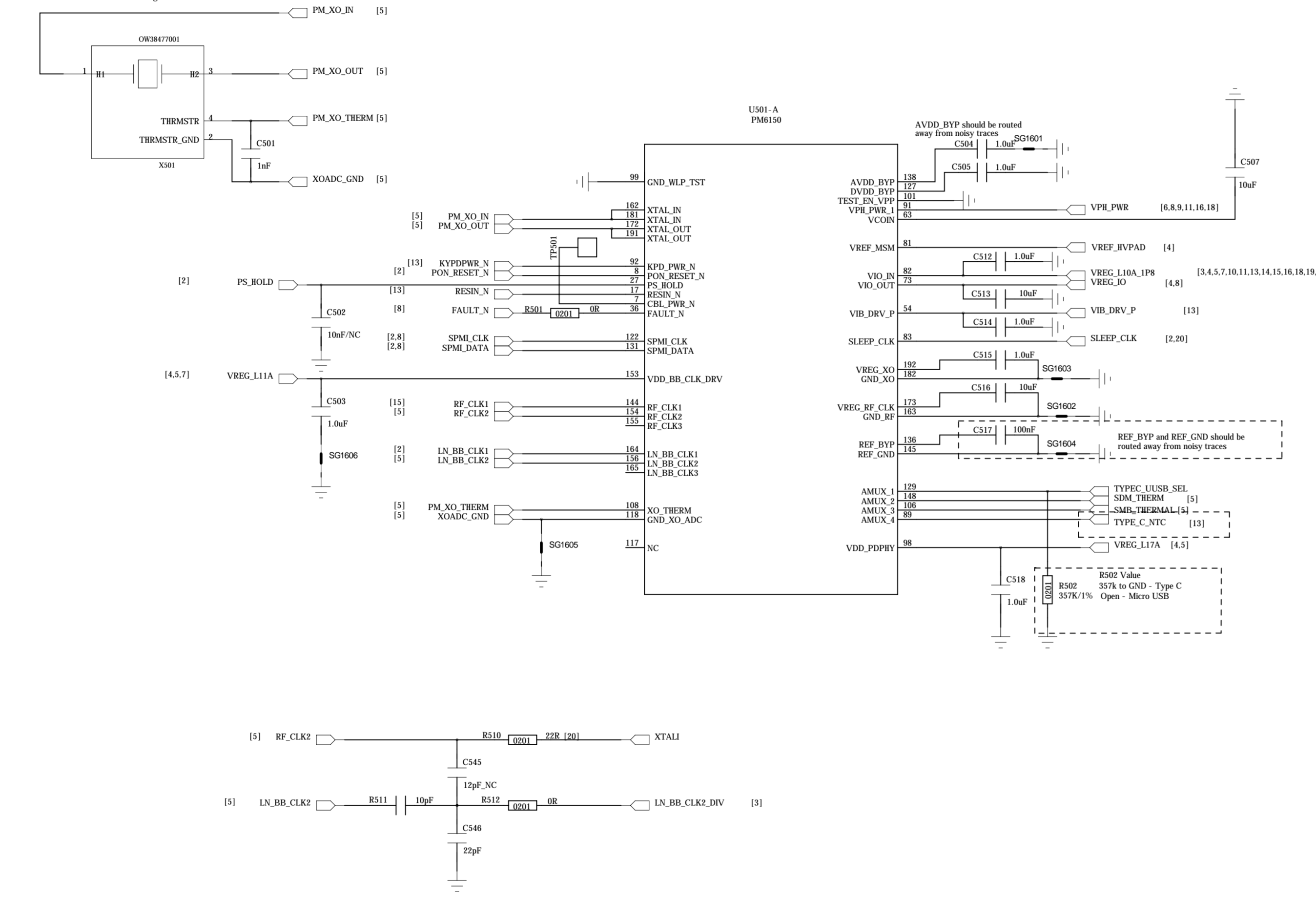


COMPANY: <Company Name>			
TITLE: <Title>			
DRAWN: <Drawn By>	DATE: <Drawn Date>		
CHECKED: <Checked By>	DATE: <Checked Date>	CODE: <Code>	REV: <Revision>
RELEASED: <Released By>	DATE: <Released Date>	SCALE: <Scale>	
SHEET: 4F		22	

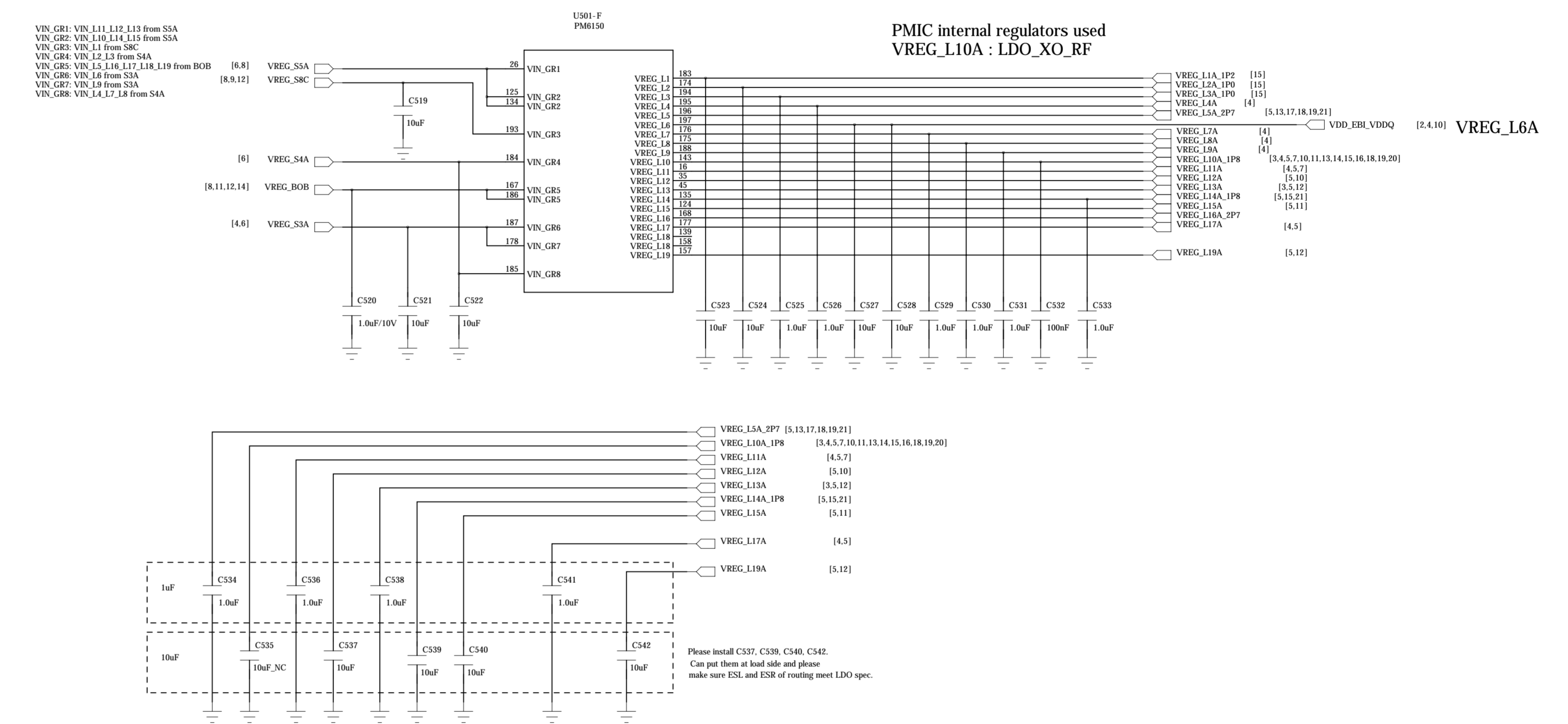
REVISION RECORD			
LTZ	ECO NO.	APPROVED	DATE

Layout Note:

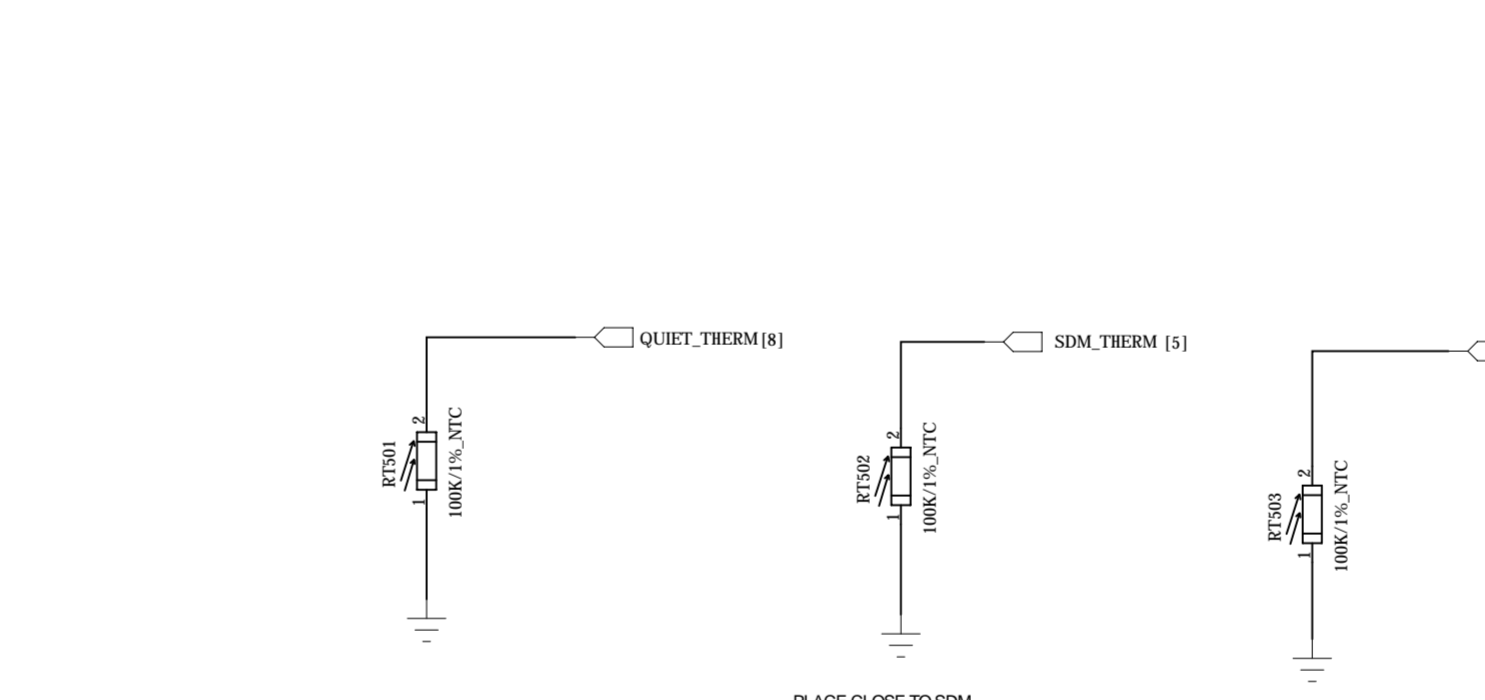
No trace shall be present in or near two transceiver layers below XTAL.
Route XTAL IN/OUT trace with length between 5mm and 10mm.



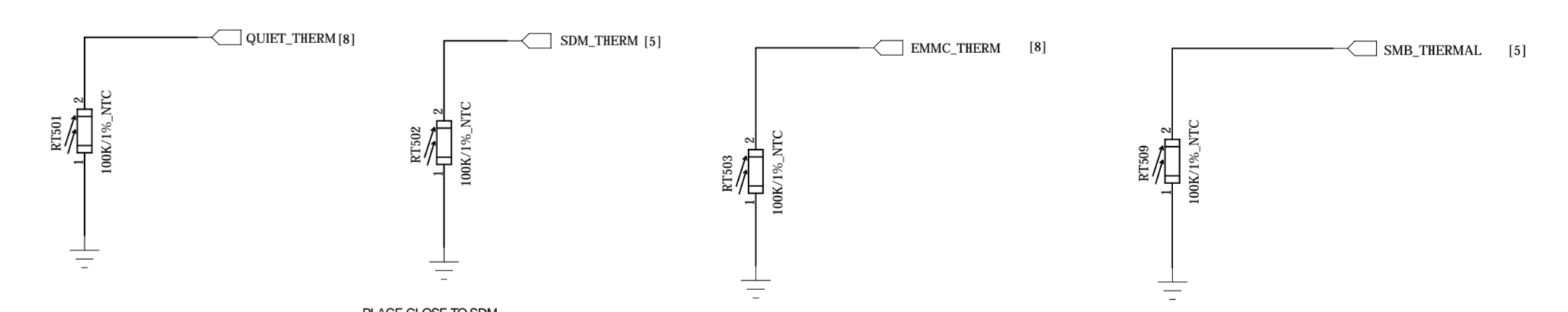
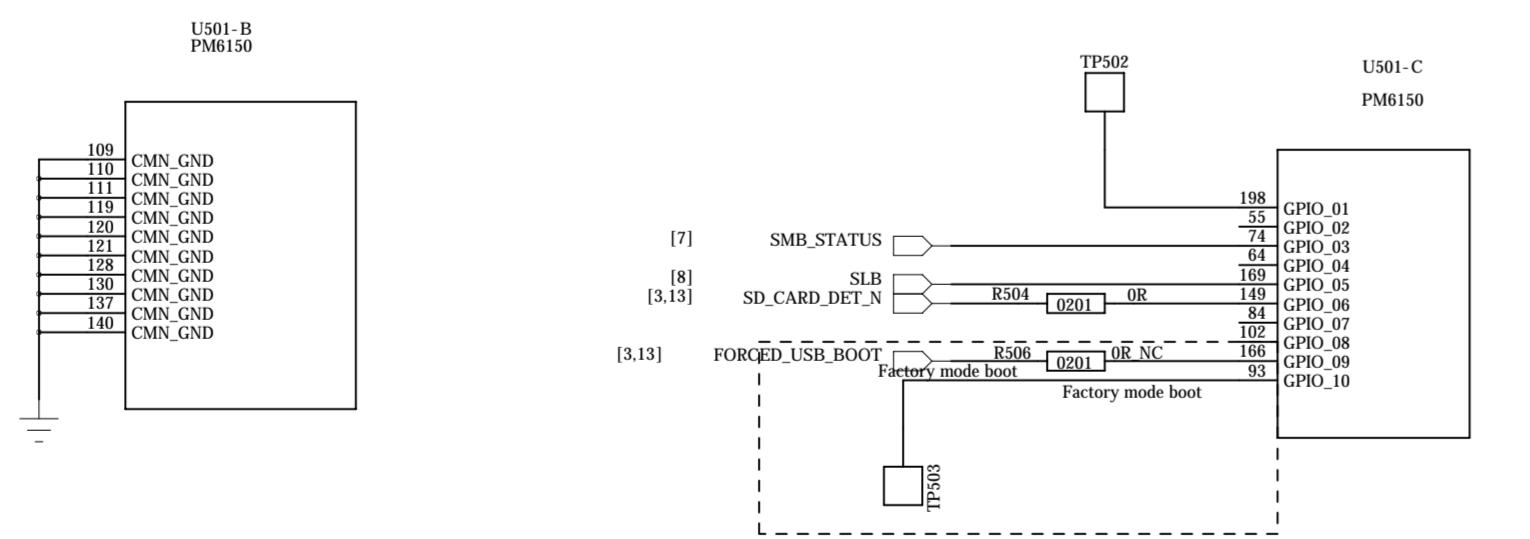
- Three compatible designs are provided for SDM_RF_XO_CLK.
1. WLAN_5G_CLK_OUT:
R511/C545/C546/R512/R302 are DNI
 2. Divided CLK of RFCLK2/LN_BB_CLK2 DIV:
R511/R303/C2027/C2005/C2006 are DNI and SW needs to ban WLAN_5G_CLK_OUT
 3. LN_BB_CLK2 (Default)
C545/R303/C2027/C2005/C2006 are DNI and SW needs to ban WLAN_5G_CLK_OUT
R511 and C546 as a divider is following IDP design.



PMIC internal regulators used
VREG_L10A : LDO_XO_RF
VREG_L6A



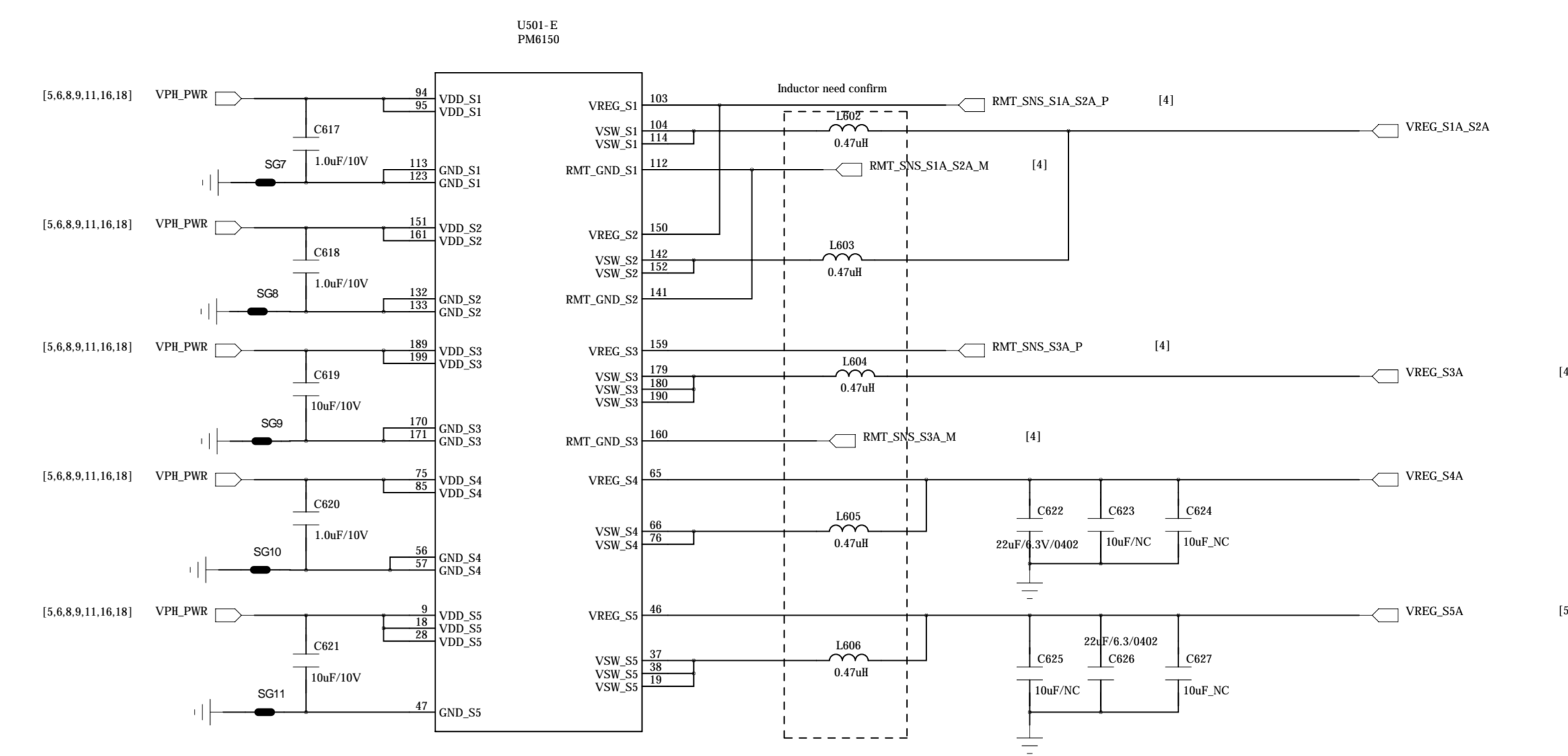
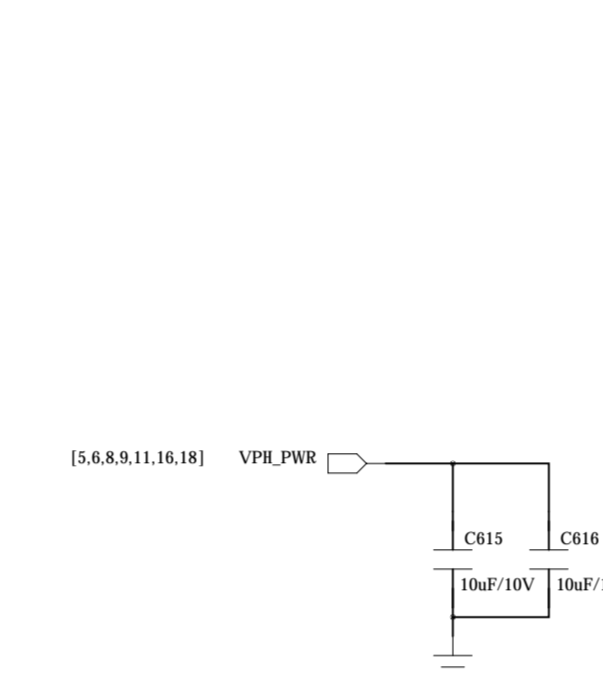
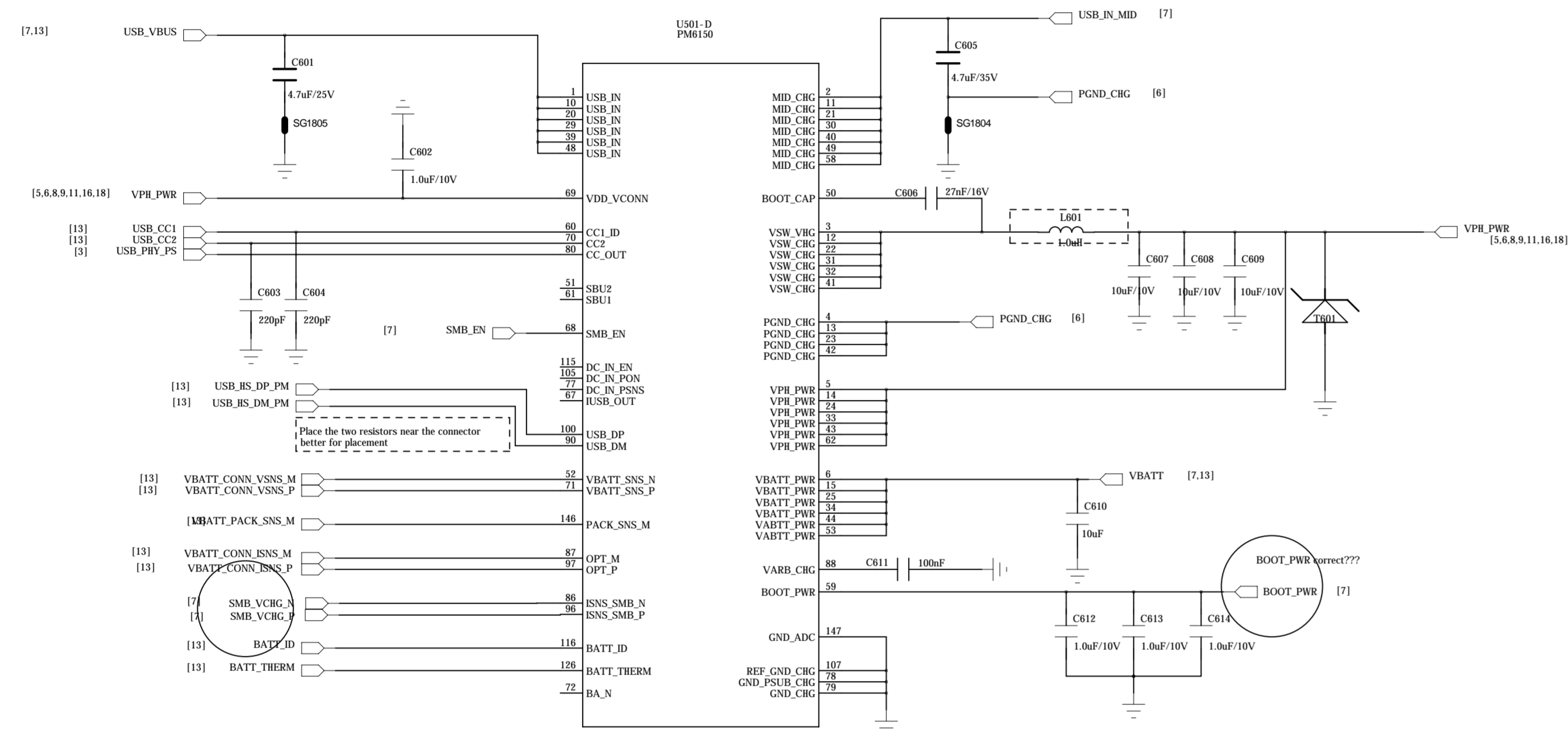
PRELDO CAPLESS LDOs
P type are pseudo-capacitors, not can be as load for CAPLESS LDO. If integrate on the host side do not add up to LDO spec, then install the cap closer to the PMIC.



PLACE CLUSTER TO SEM

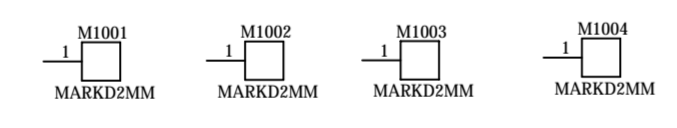
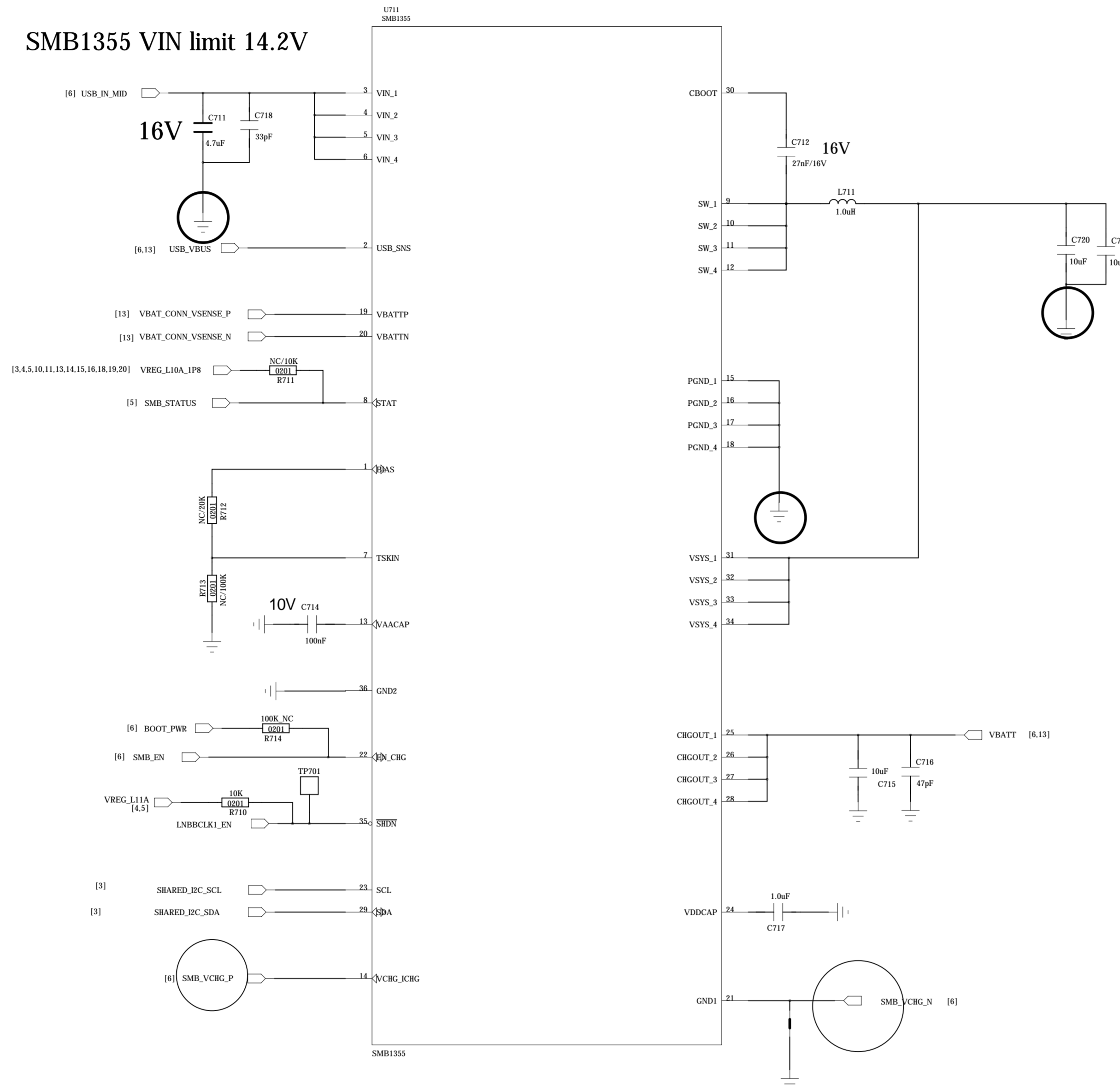
COMPANY: <Company Name>			
TITLE: <Title>			
DESIGN: <Drawn By>	DATE: <Drawn Date>	DRAWING NO. <Code> A0 <Drawing Number> <Revision>	
CHECKED: <Checked By>	DATE: <Checked Date>	CODE	SIZE
QUALITY CONTROL: <QC By>	DATE: <QC Date>	REV: <Release Date>	
RELEASED: <Released By>	DATE: <Release Date>	SCALE: <Scale>	SHEET: 3 of 22

REVISION RECORD			
LTR	ECO NO	APPROVED	DATE



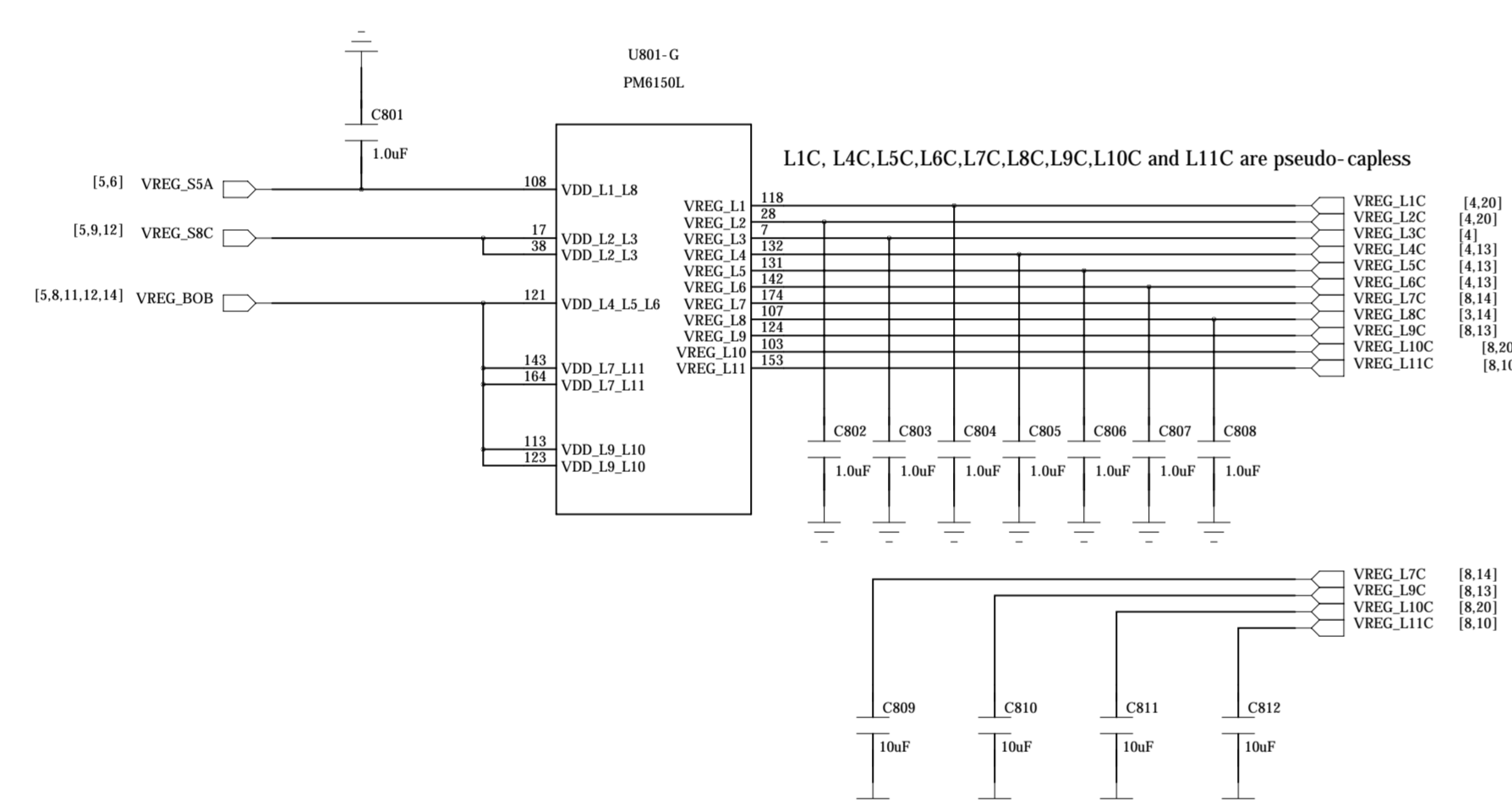
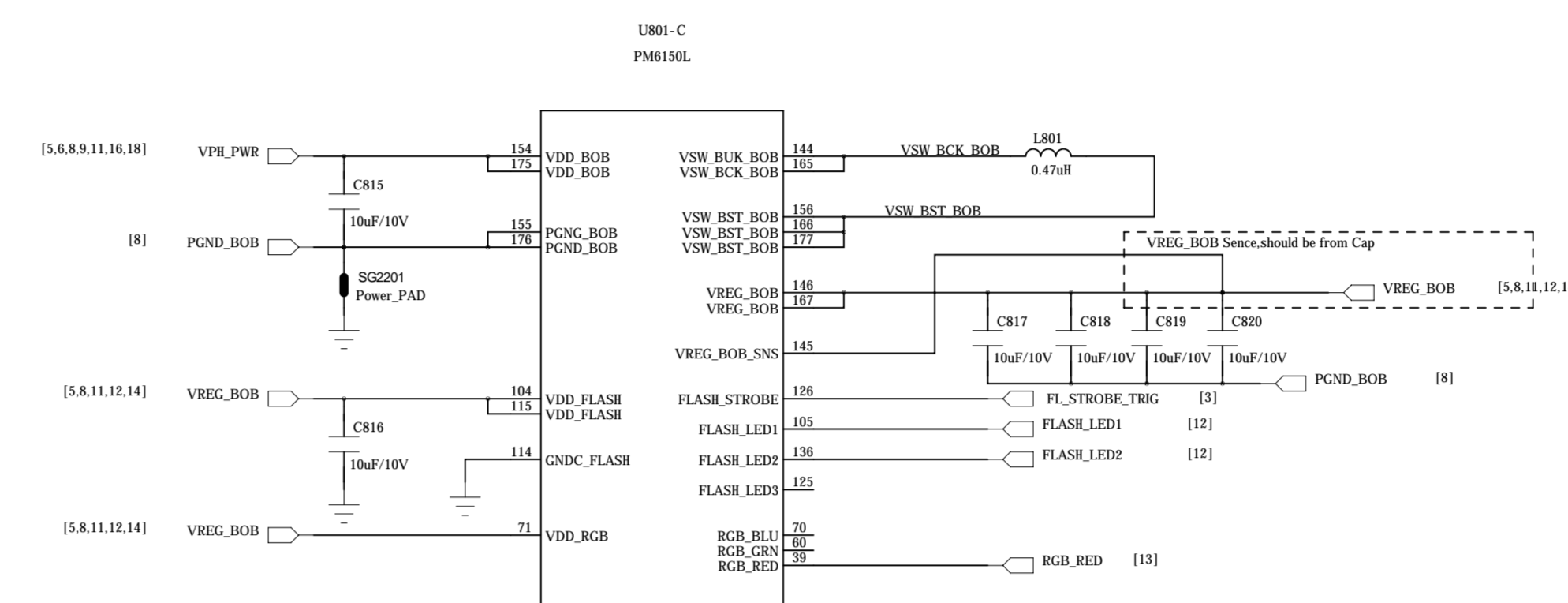
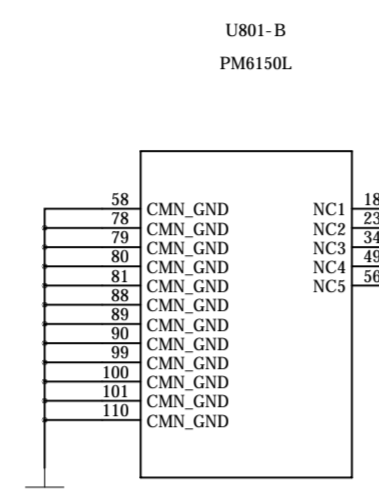
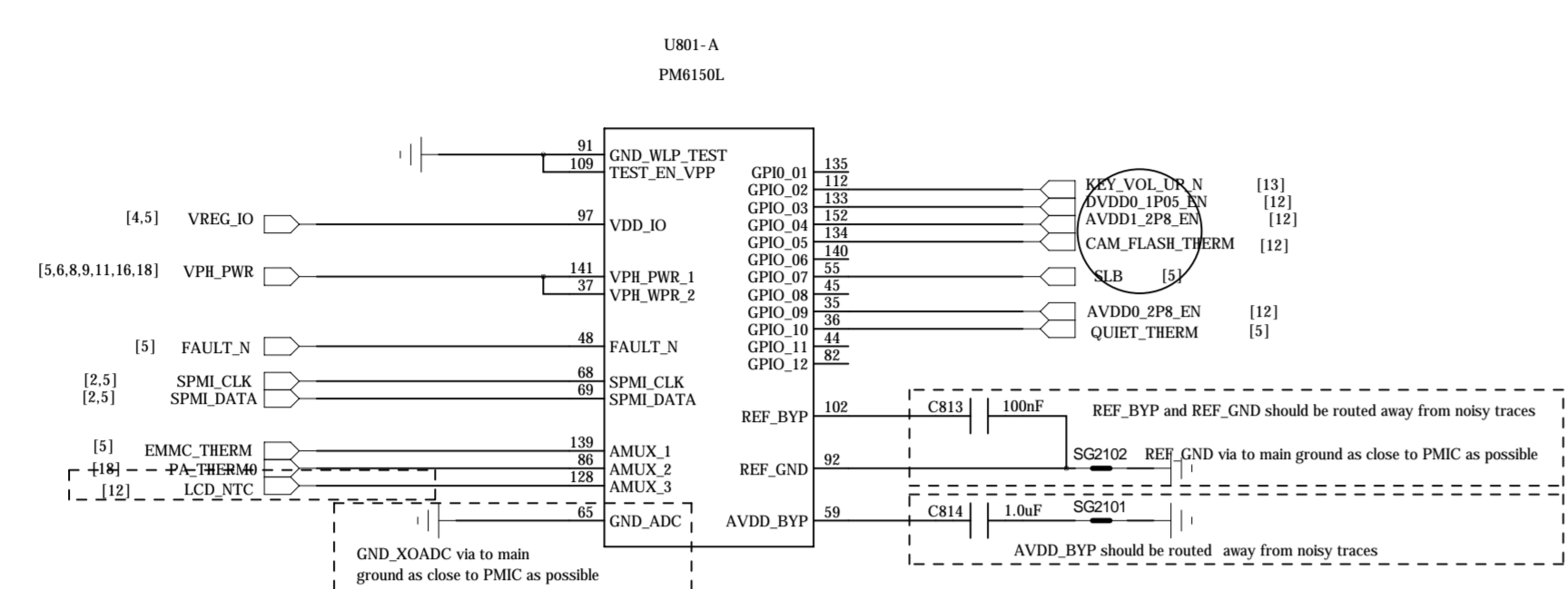
COMPANY: <Company Name>			
TITLE: <Title>			
DESIGN: <Drawn By>	DATE: <Drawn Date>	CODE: <Code>	SIZE: <Scale>
CHECKED: <Checked By>	DATE: <Checked Date>	QUALITY CONTROL: <QC Date>	DRAWING NO: <Drawing Number>
RELEASED: <Released By>	DATE: <Release Date>	SCALE: <Scale>	REVISION: <Revision>

REVISION RECORD			
LT#	ECO NO.	APPROVED	DATE



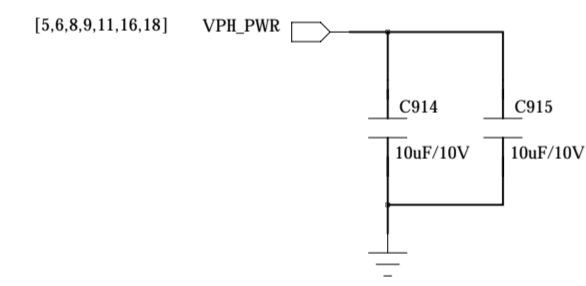
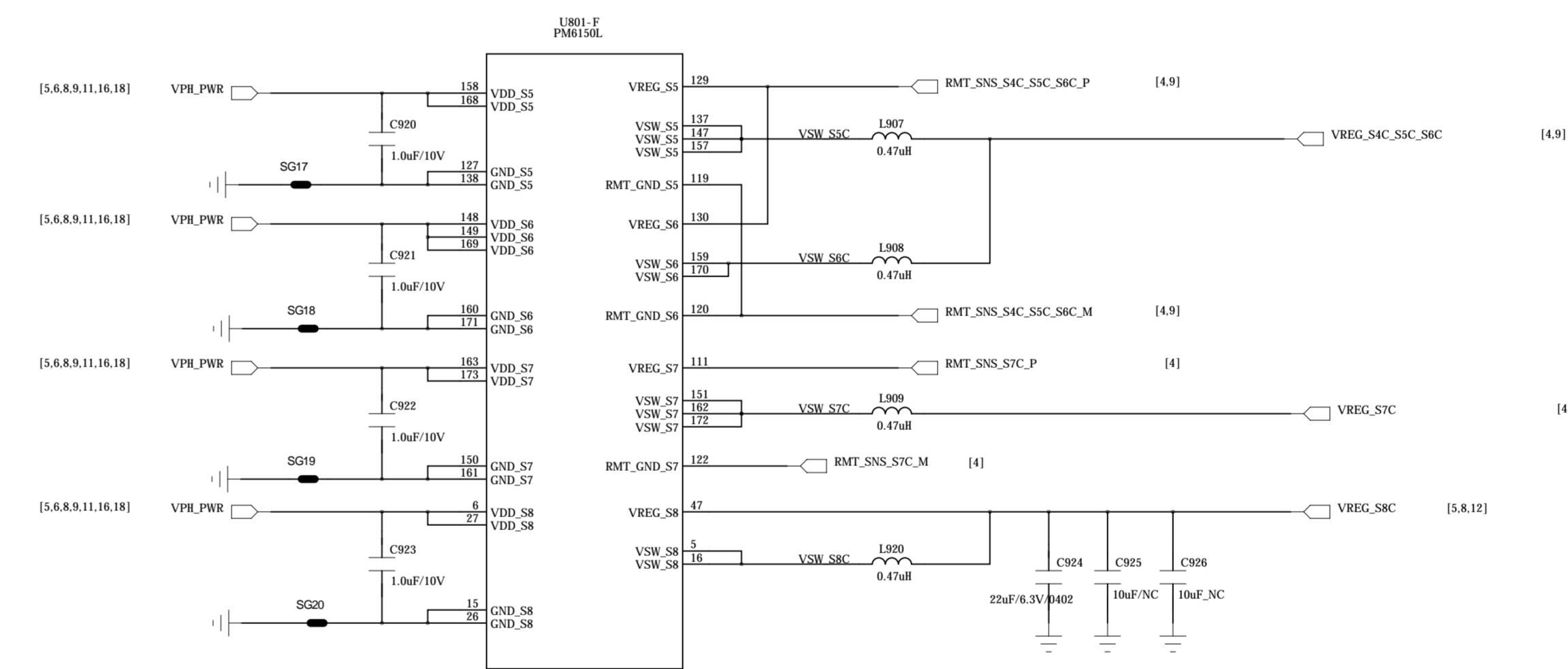
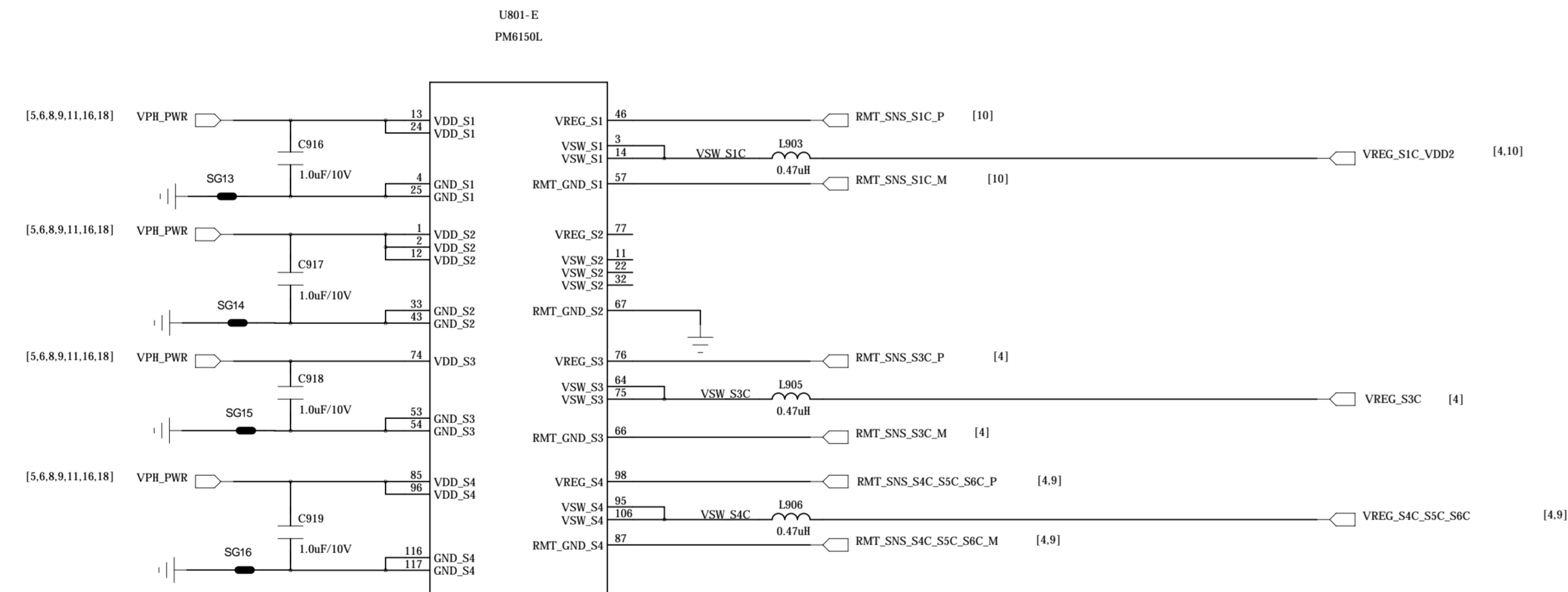
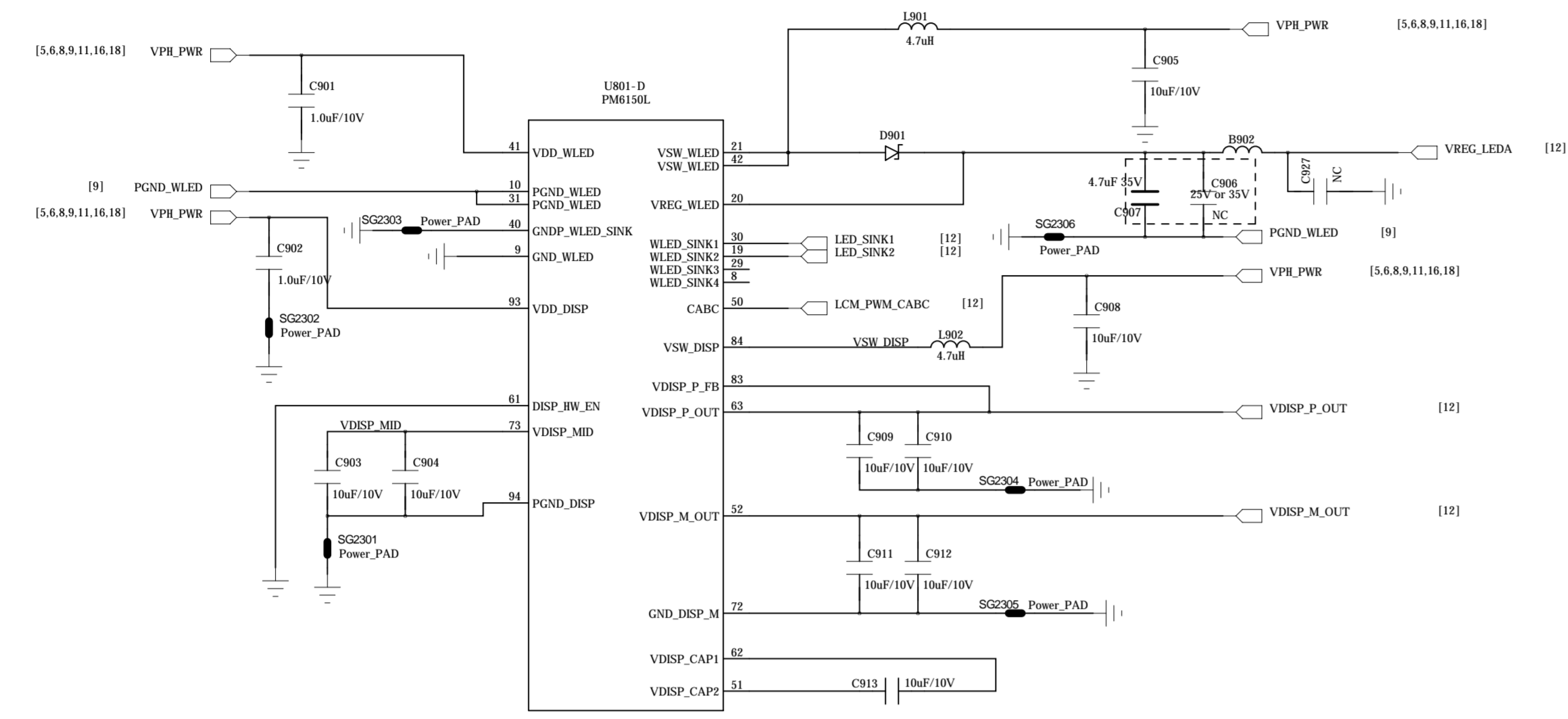
COMPANY:		<Company Name>			
TITLE:		<Title>			
DRAWN:	<Drawn By>	DATED:	<Drawn Date>	CODE:	REV:
CHECKED:	<Checked By>	DATED:	<Checked Date>	ISSUE NO.	REV.
QUALITY CONTROL:	<QC By>	DATED:	<QC Date>	<Code> A0 <Drawing Number><Revision>	
RELEASED:	<Released By>	DATED:	<Release Date>	SCALE:	<Scale>
				SHEET:	7# 22

REVISION RECORD			
LT#	ECO NO.	APPROVED	DATE



DRAWN: <Drawn By>		DATE: <Drawn Date>		COMPANY: <Company Name>	
CHECKED: <Checked By>		DATE: <Checked Date>		TITLE: <Title>	
QUALITY CONTROL: <QC By>		DATE: <QC Date>		CODE: <Code>	SIZE: A0
RELEASED: <Released By>		DATE: <Release Date>		DRAWING NO: <Drawing Number> REV: <Revision>	
SCALE: <Scale>				SHEET 89 22	

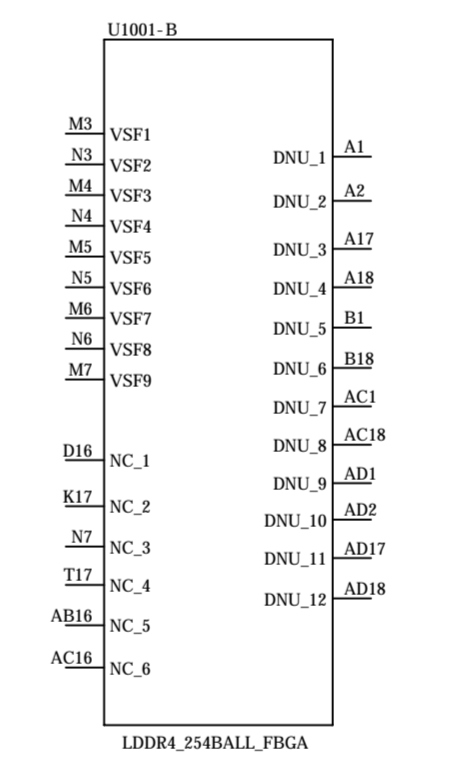
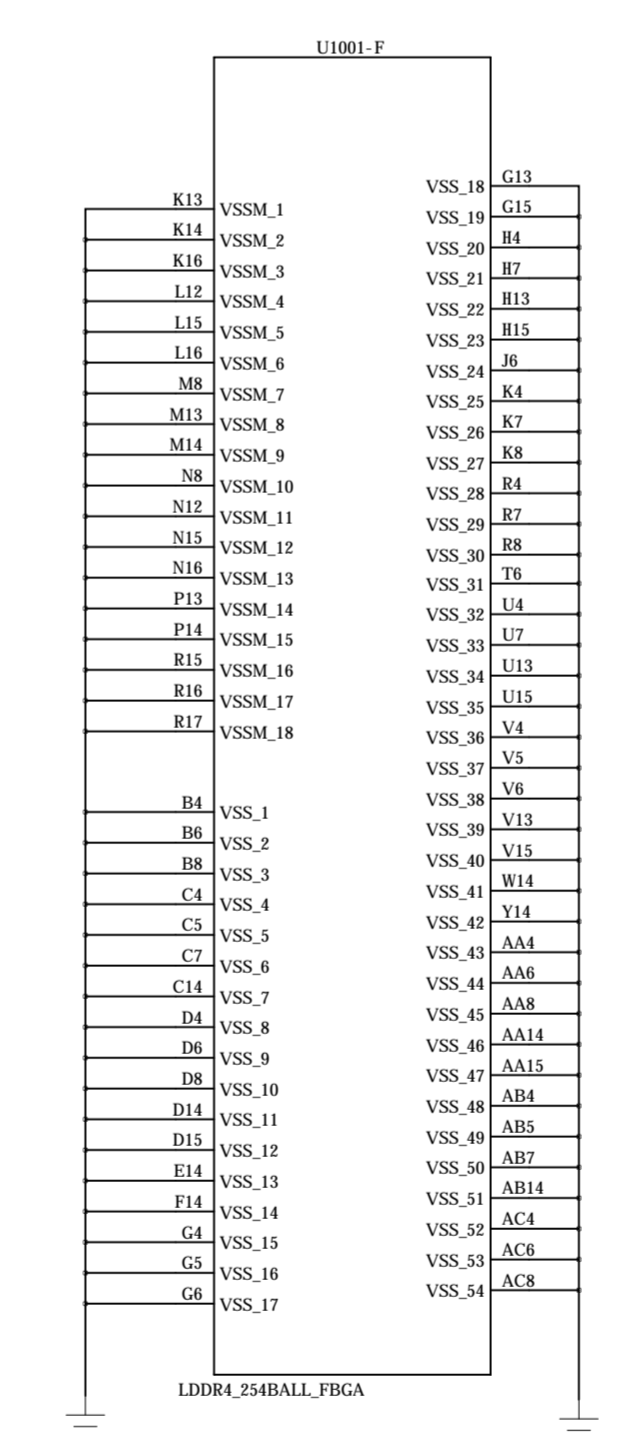
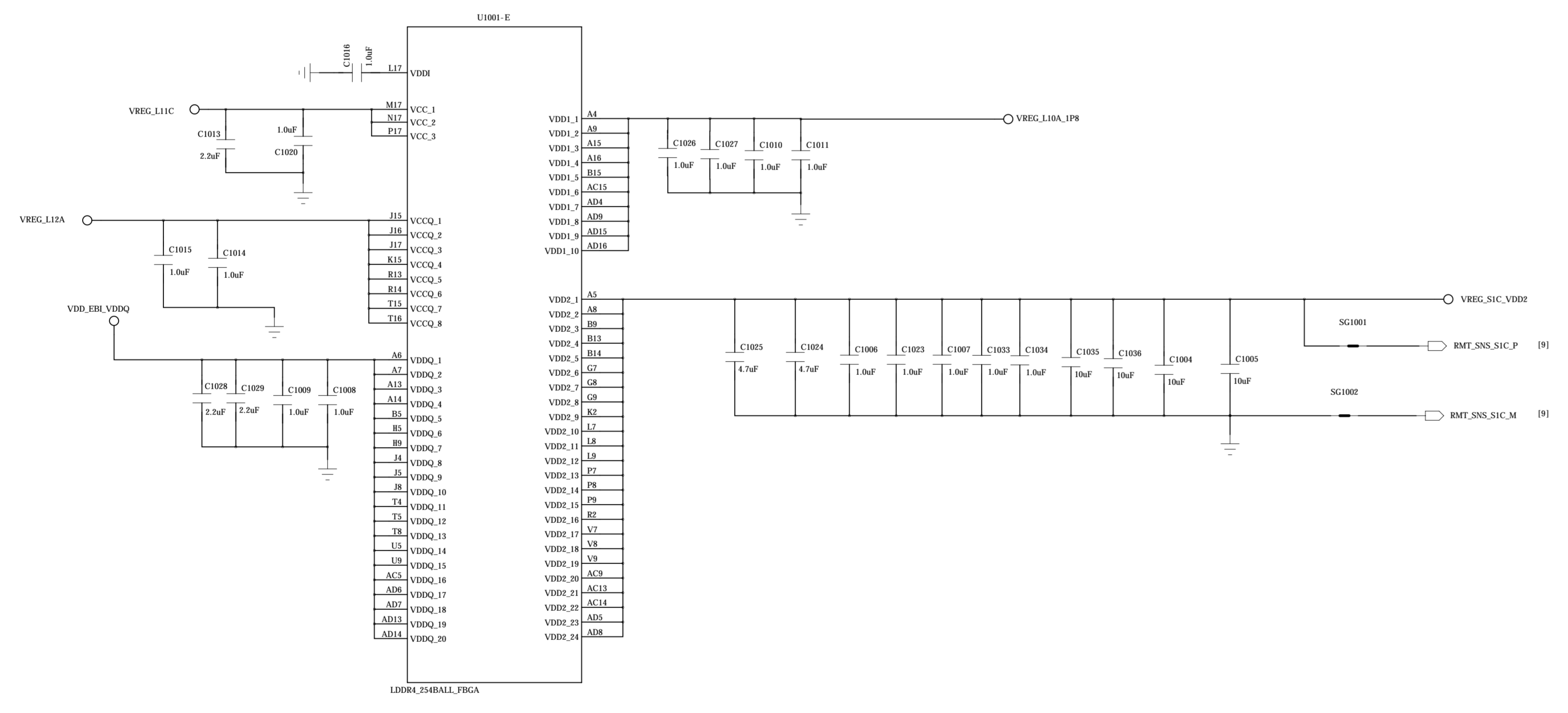
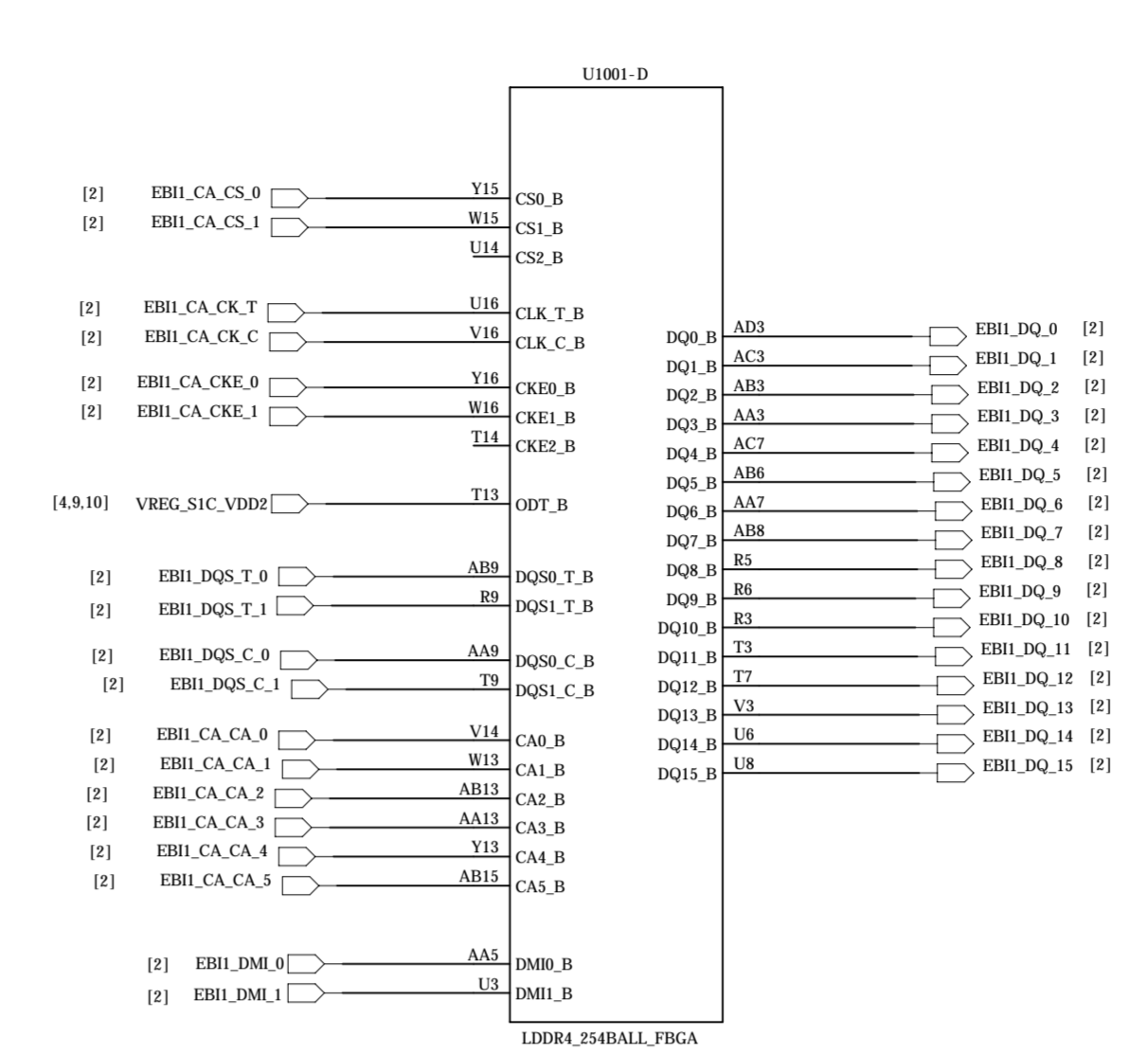
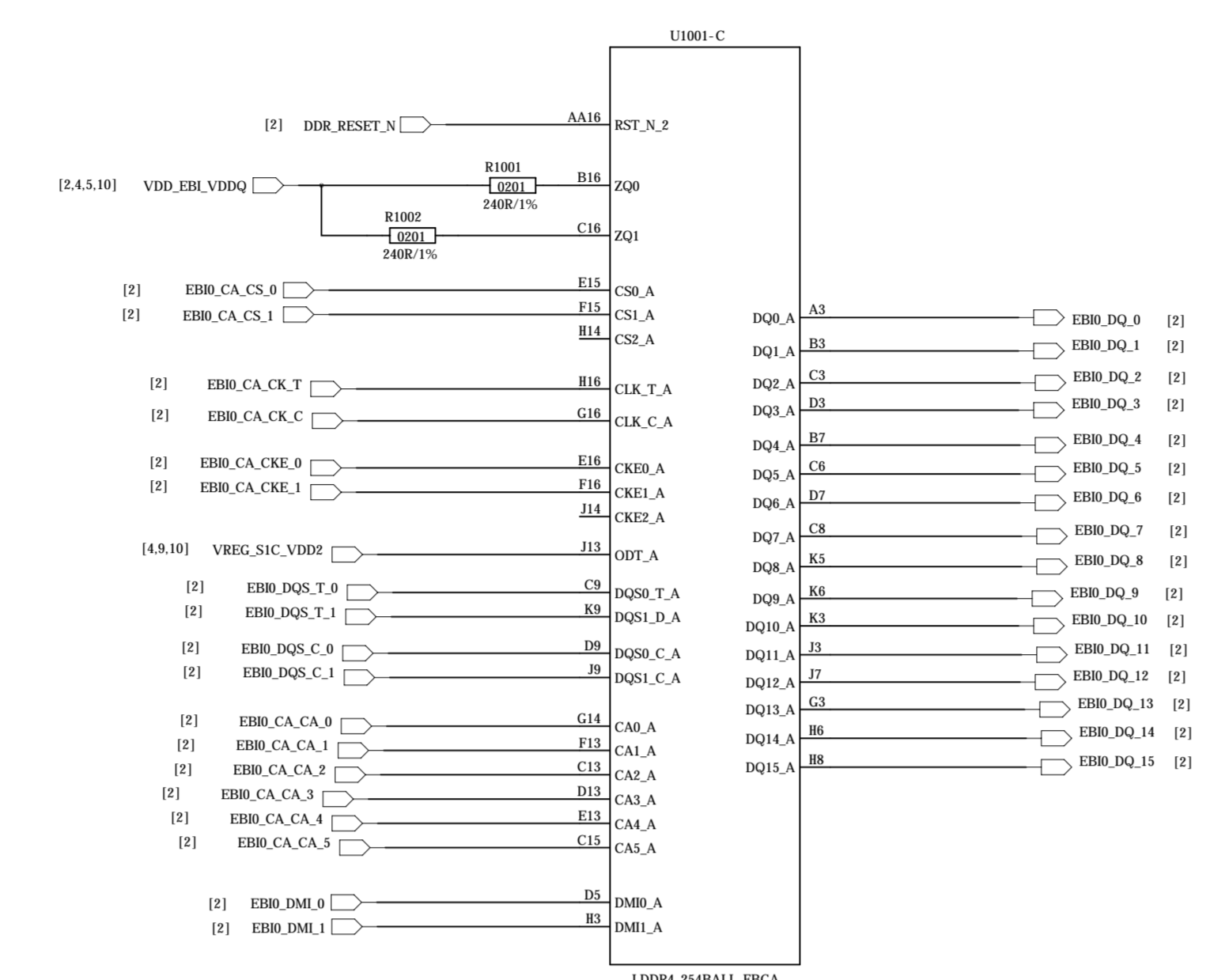
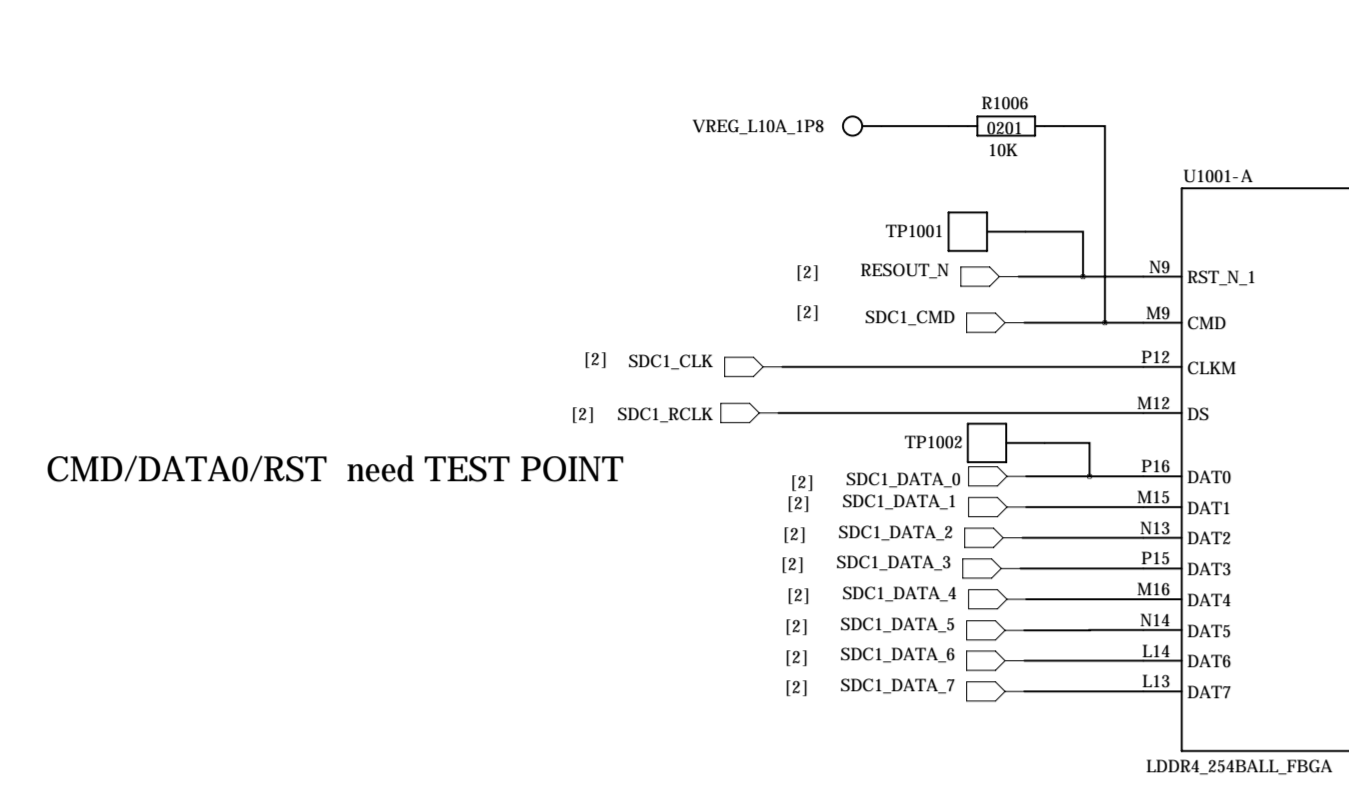
REVISION RECORD			
LT#	ECO NO.	APPROVED	DATE



COMPANY: <Company Name>		TITLE: <Title>	
DESIGNED: <Drawn By>	DATE: <Drawn Date>	CHECKED: <Checked By>	DATE: <Checked Date>
QUALITY CONTROL: <QC By>	DATE: <QC Date>	RELEASED: <Released By>	DATE: <Release Date>
SCALE: <Scale>		SHEET: 9 of 22	

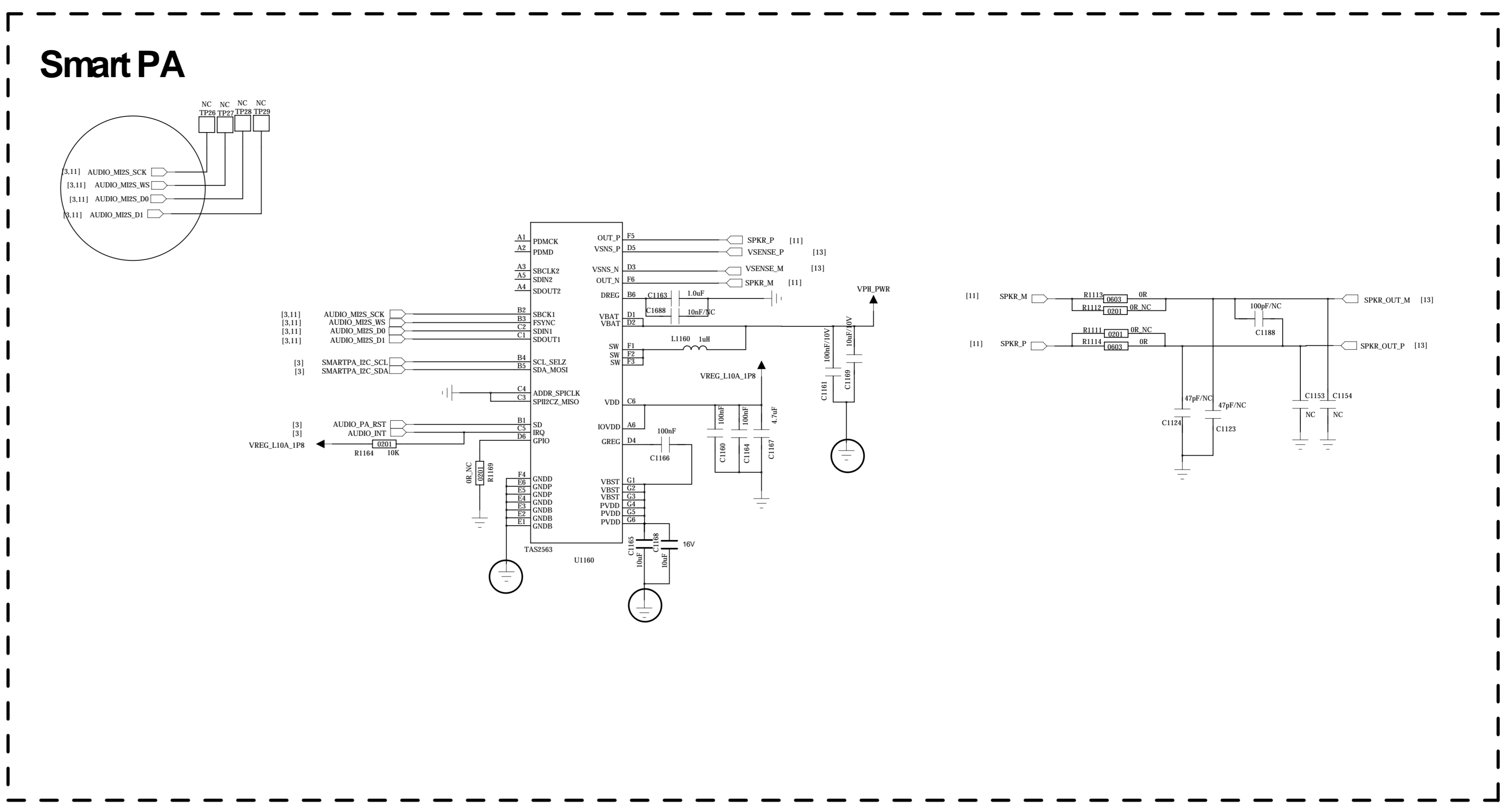
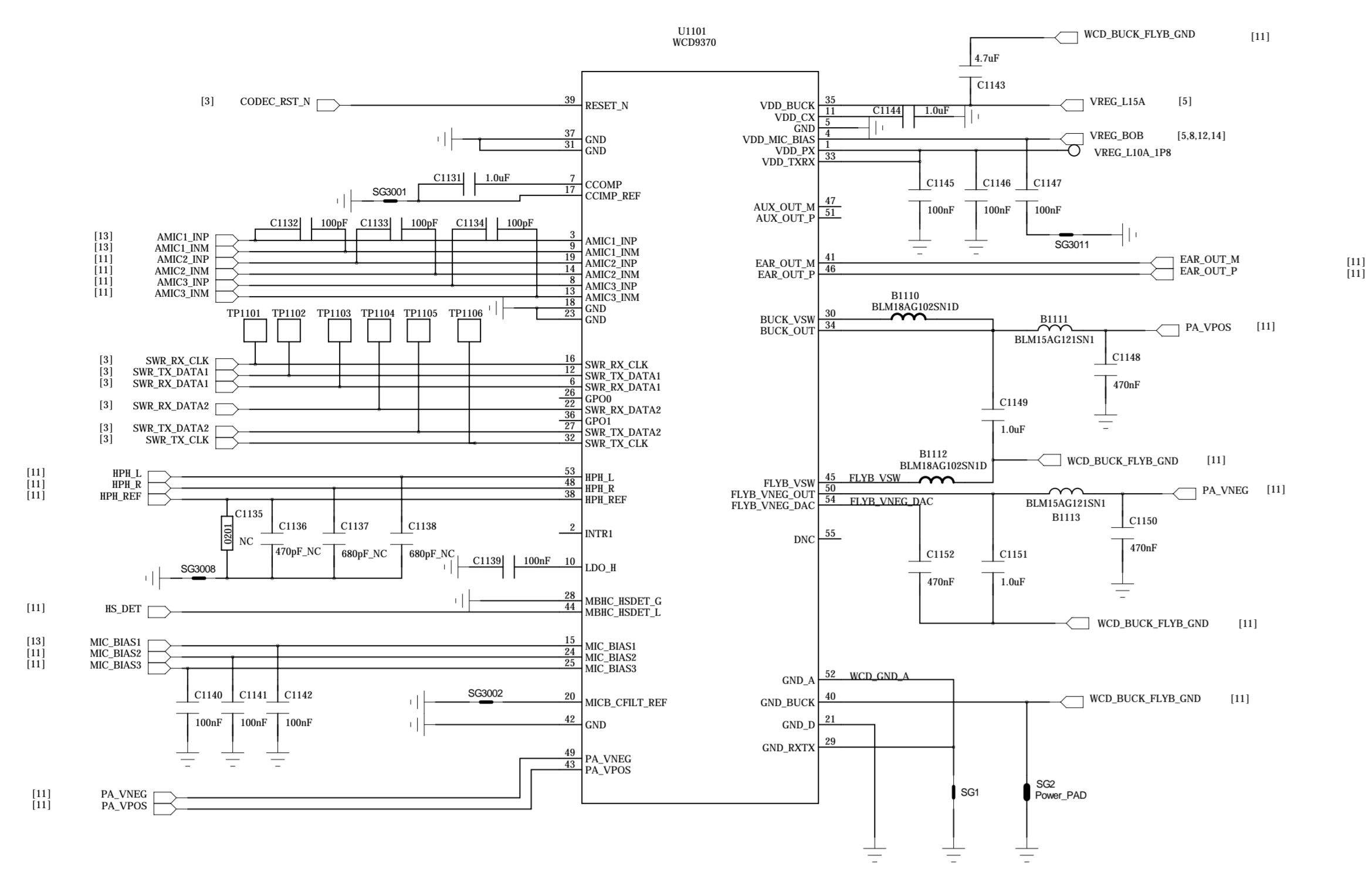
CODE:	REV:	DRAWING NO:	REV:
<Code>	A0	<Drawing Number>	<Revision>

REVISION RECORD			
LTB	REV NO.	APPROVED	DATE

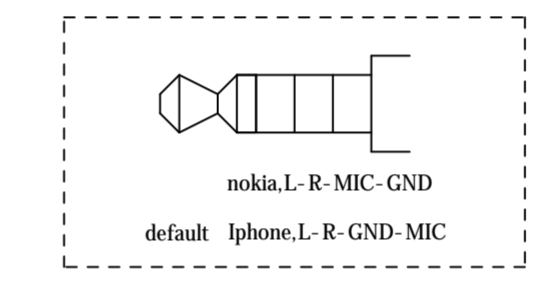
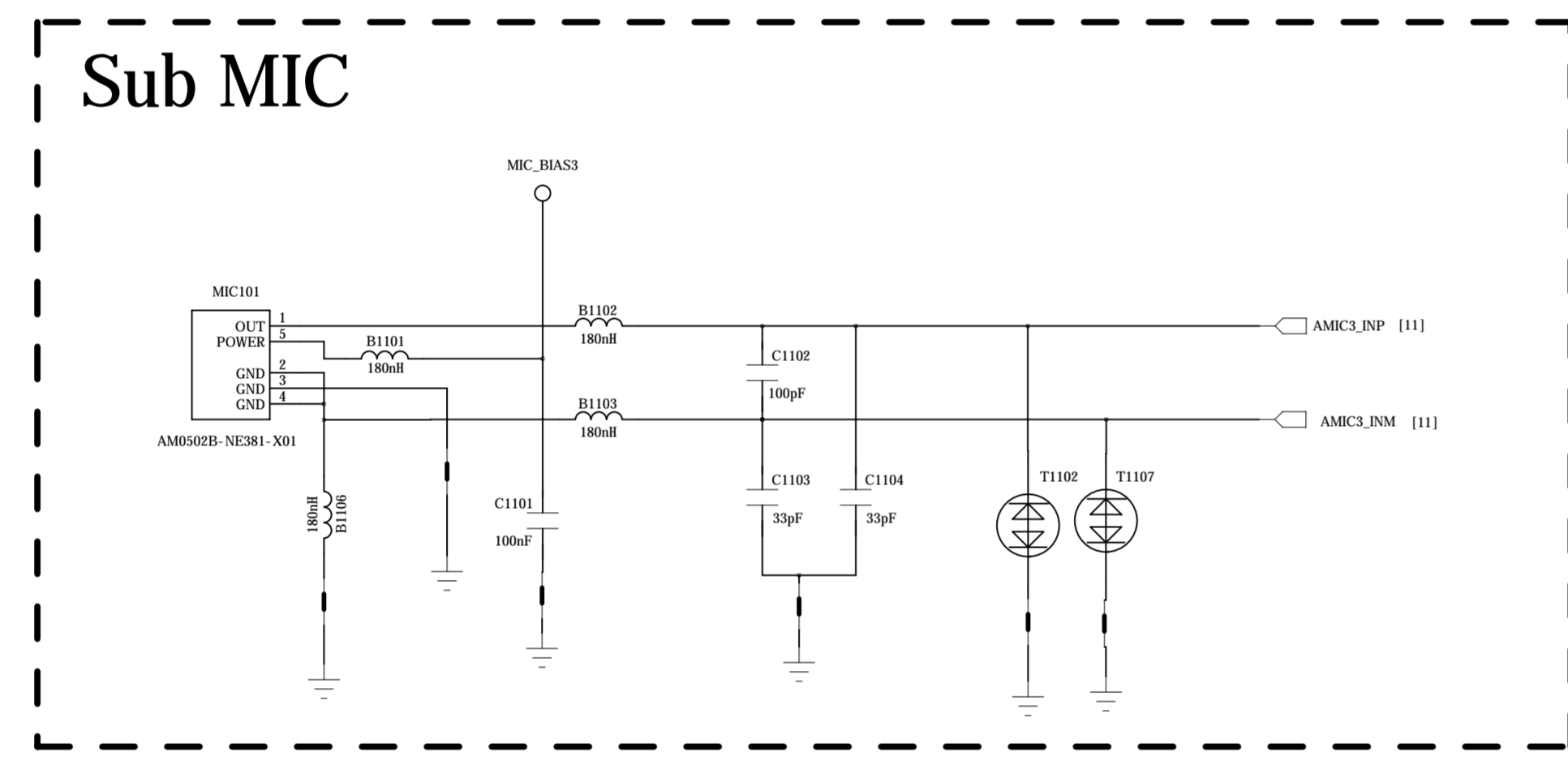


DRAWN: <Drawn By>		DATE: <Drawn Date>		COMPANY: <Company Name>	
CHECKED: <Checked By>		DATE: <Checked Date>		TITLE: <Title>	
QUALITY CONTROL: <QC By>		DATE: <QC Date>		CODR: <Code>	SIZE: A0
RELEASED: <Released By>		DATE: <Release Date>		DRAWING NO: <Drawing Number><Revision>	
SCALE: <Scale>				SHEET 10 22	

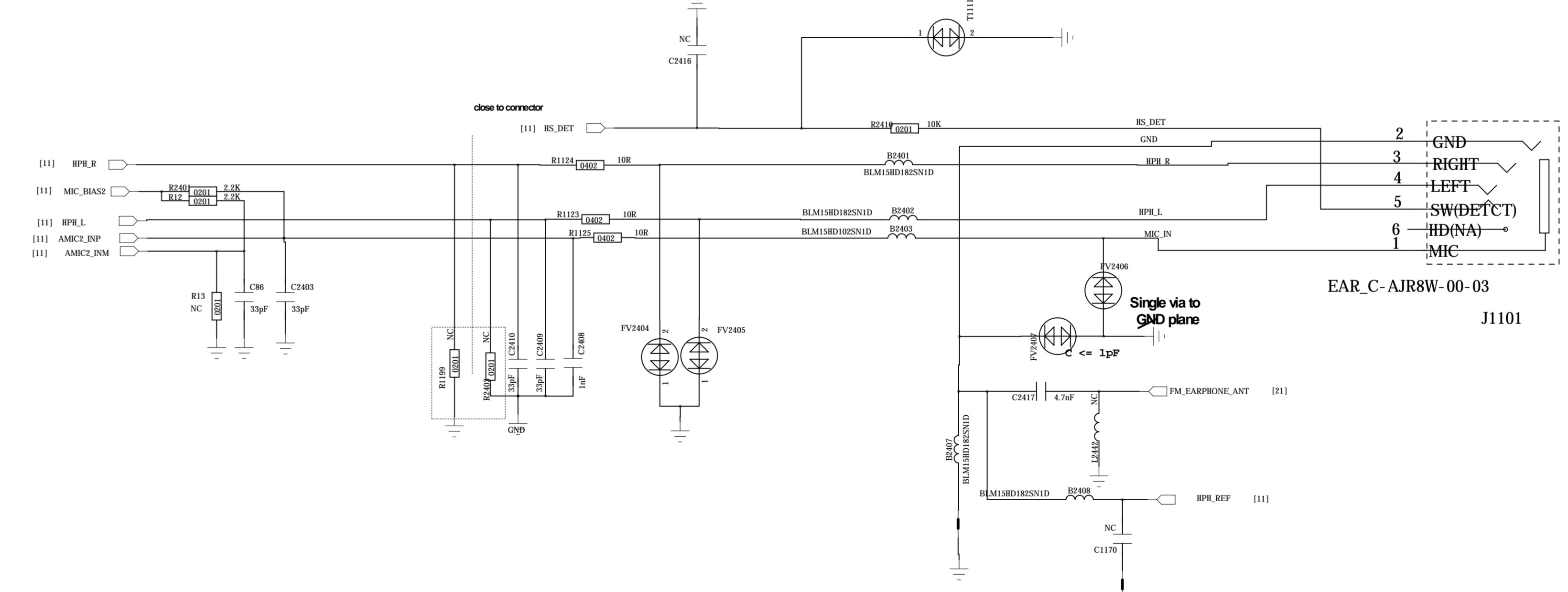
REVISION RECORD			
LTB	ECO NO.	APPROVED	DATE



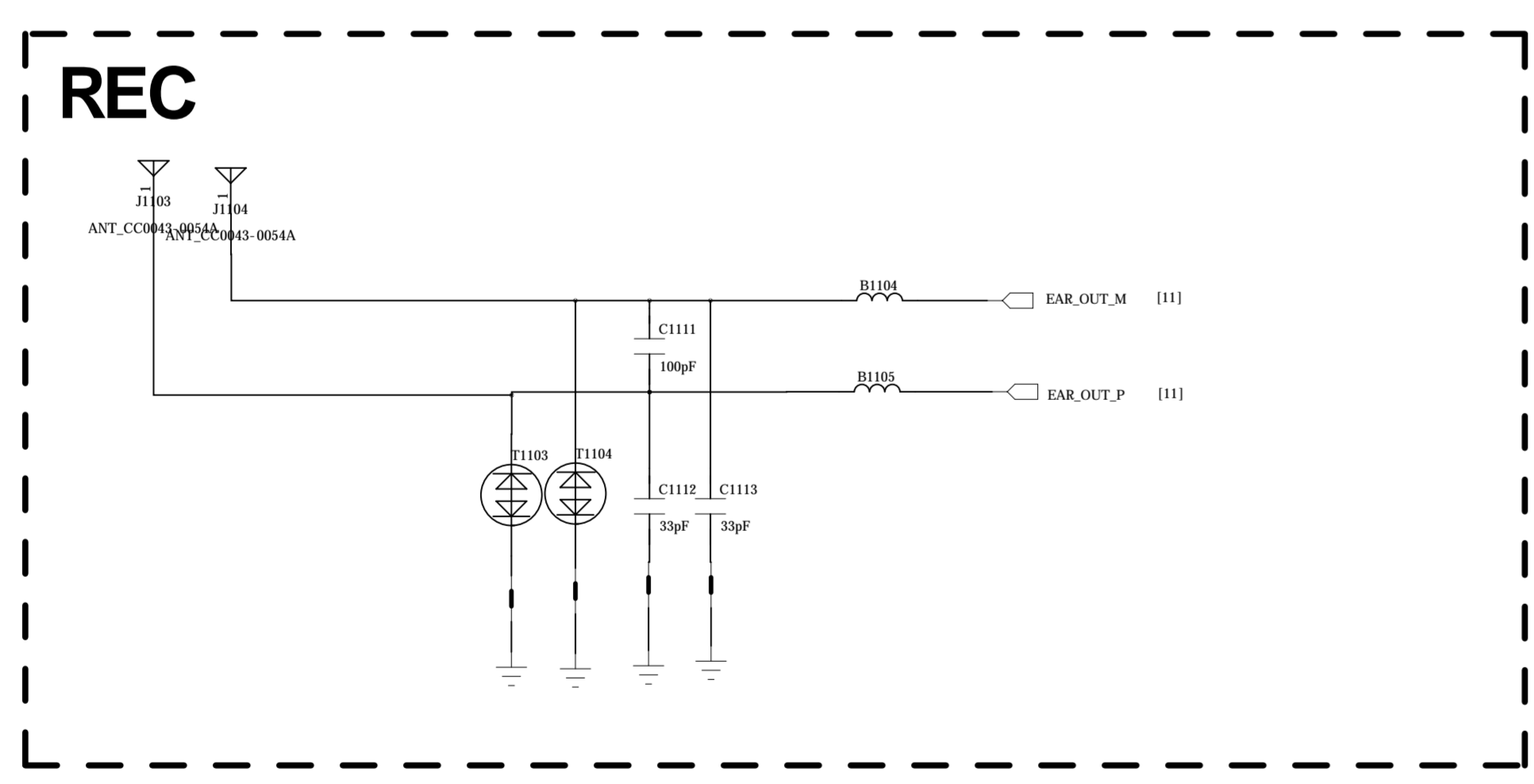
Earphone Audio



Note: Ferrite beads and their corresponding bypass capacitors on CDC_HPH_L_P, CDC_HPH_L_M and CDC_HPH_REF are needed to reduce noise generated by audio/FM concurrency



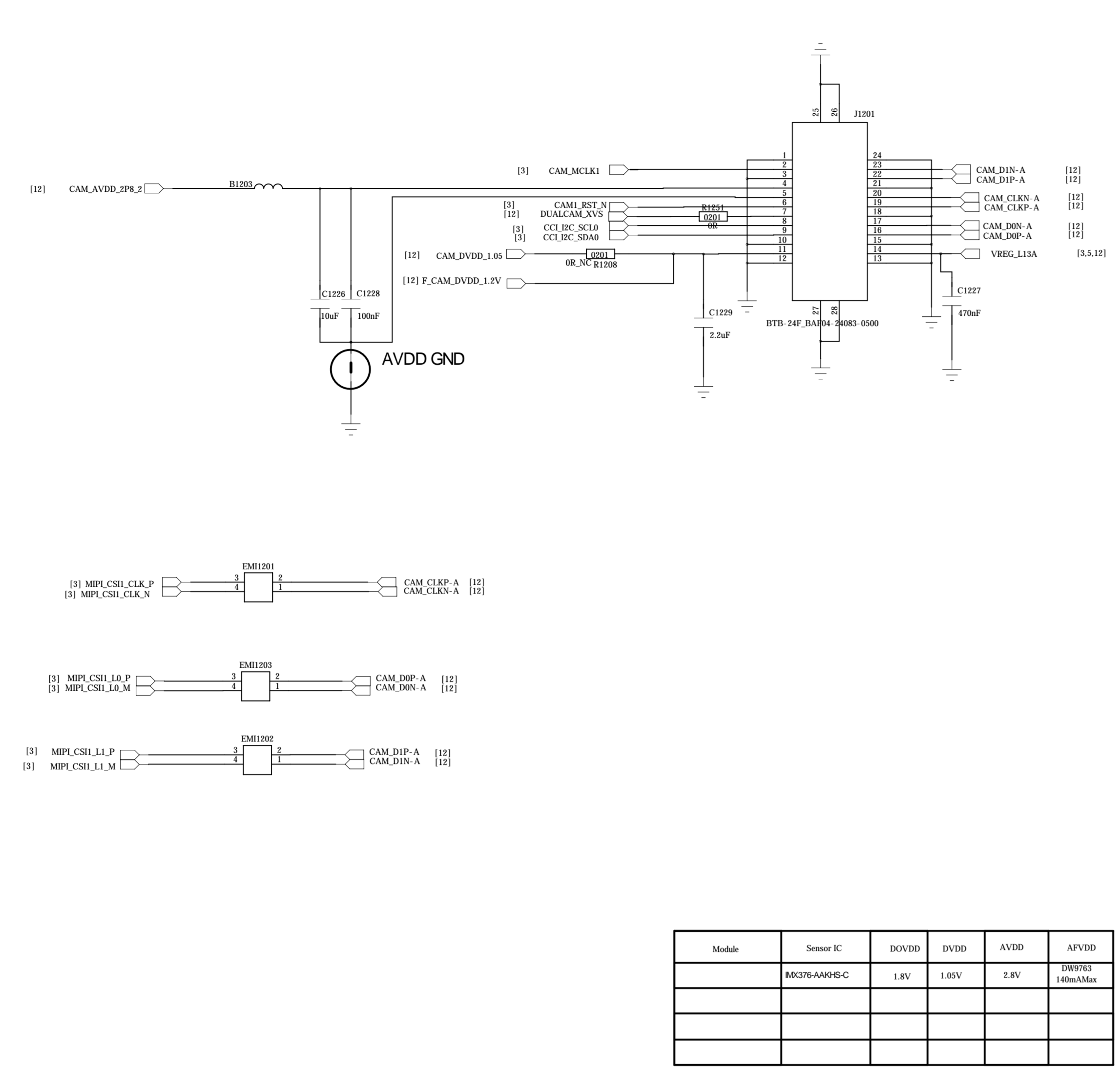
Note: Place B202, B203, C216, C217 close to headset jack connector
Note: For Cable detection



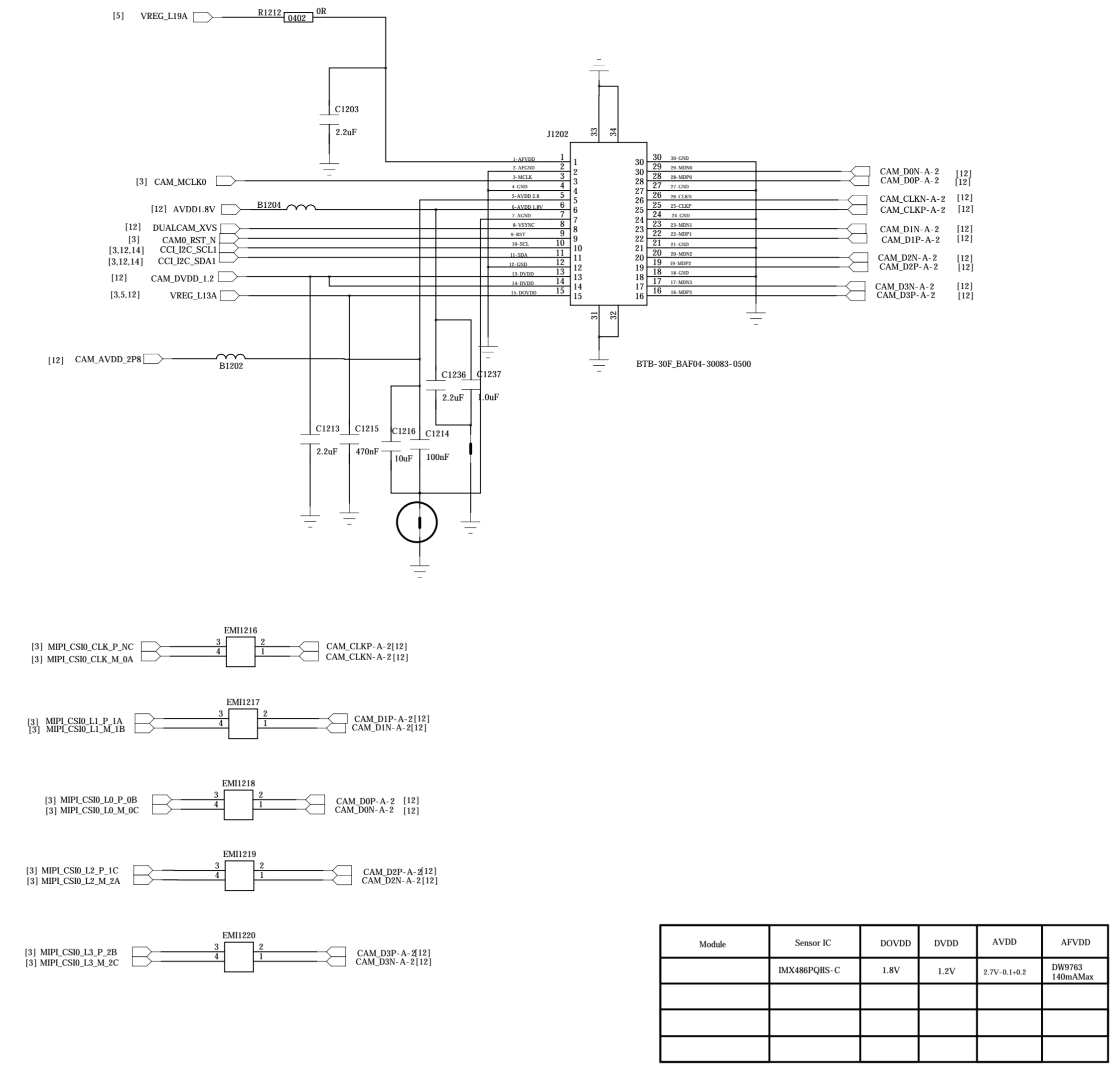
DRAWN: <Drawn By>		DATED: <Drawn Date>		COMPANY: <Company Name>	
CHECKED: <Checked By>		DATED: <Checked Date>		TITLE: <Title>	
QUALITY CONTROL: <QC By>		DATED: <QC Date>		CODE: <Code>	SIZE: A0
RELEASED: <Released By>		DATED: <Release Date>		DRAWING NO: <Drawing Number>	
SCALE: <Scale>				REV: <Revision>	
SHEET 18				22	

REVISION RECORD			
LR	ECO NO.	APPROVED	DATE

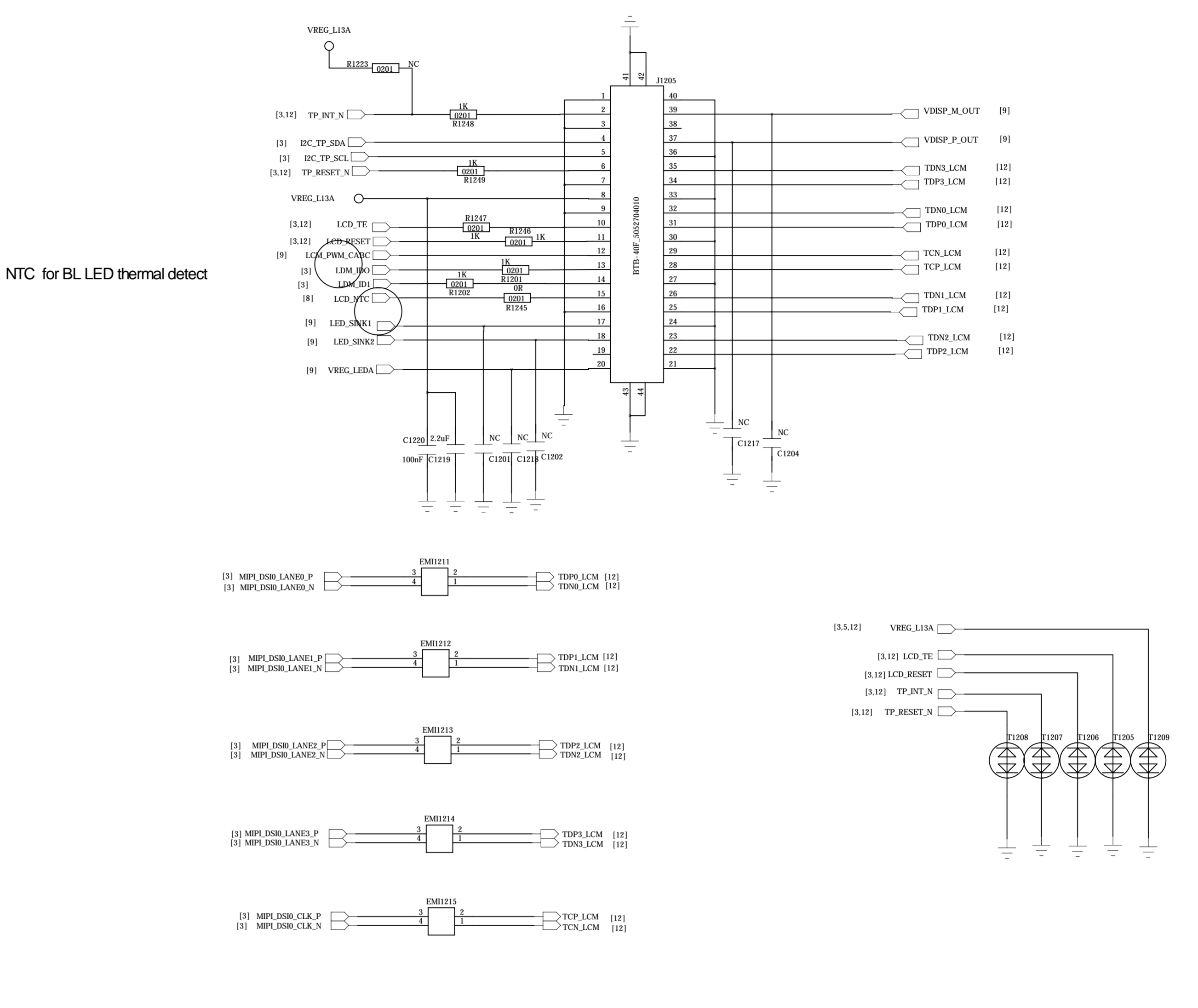
Main Camera A



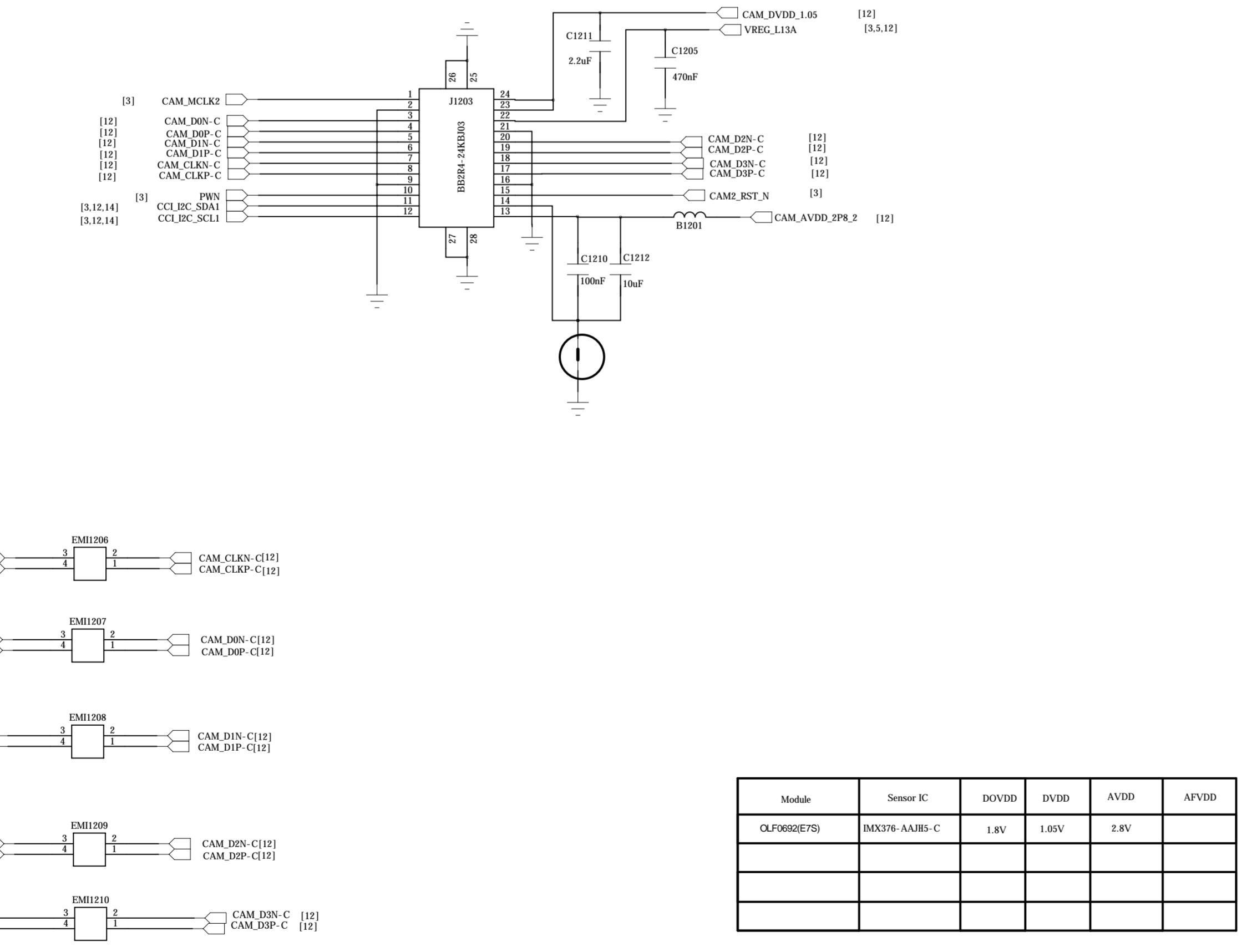
Main Camera B



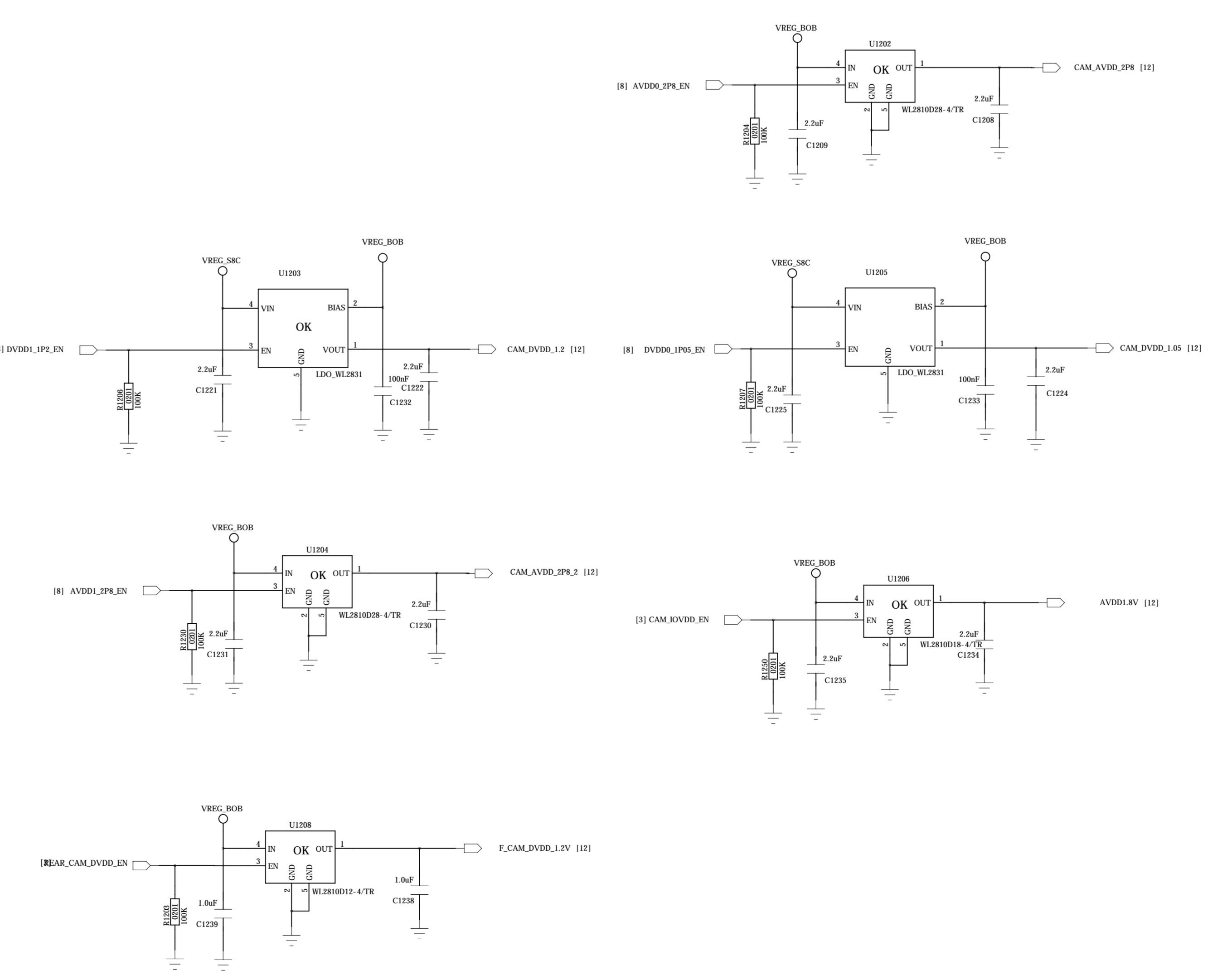
LCM



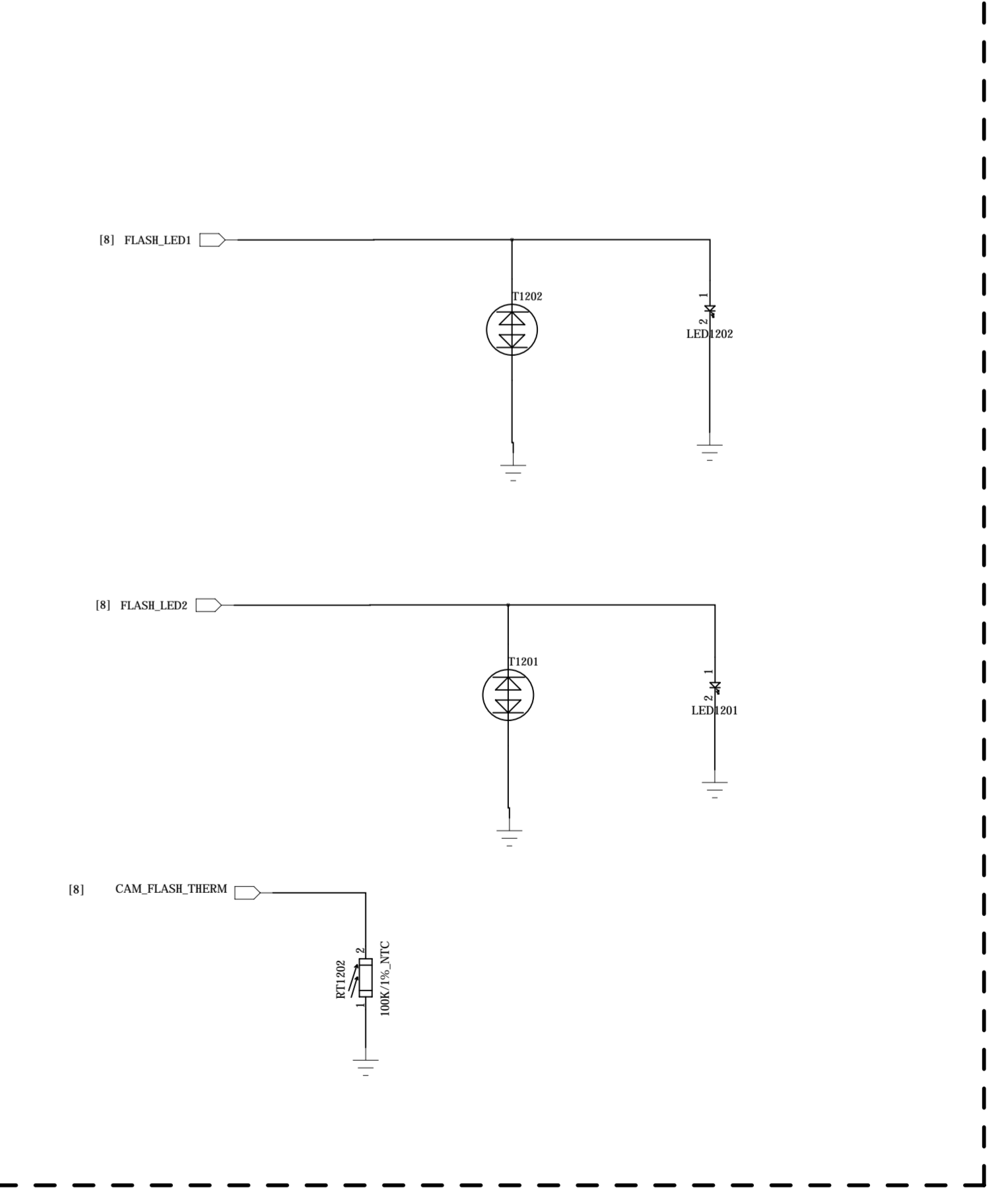
Front Camera



Camera Power



Flash Light



Schematic design notice of '63_PERI_CAMERA_KEYPAD' page.

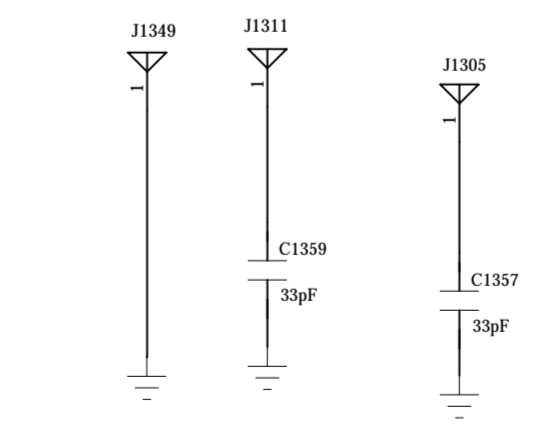
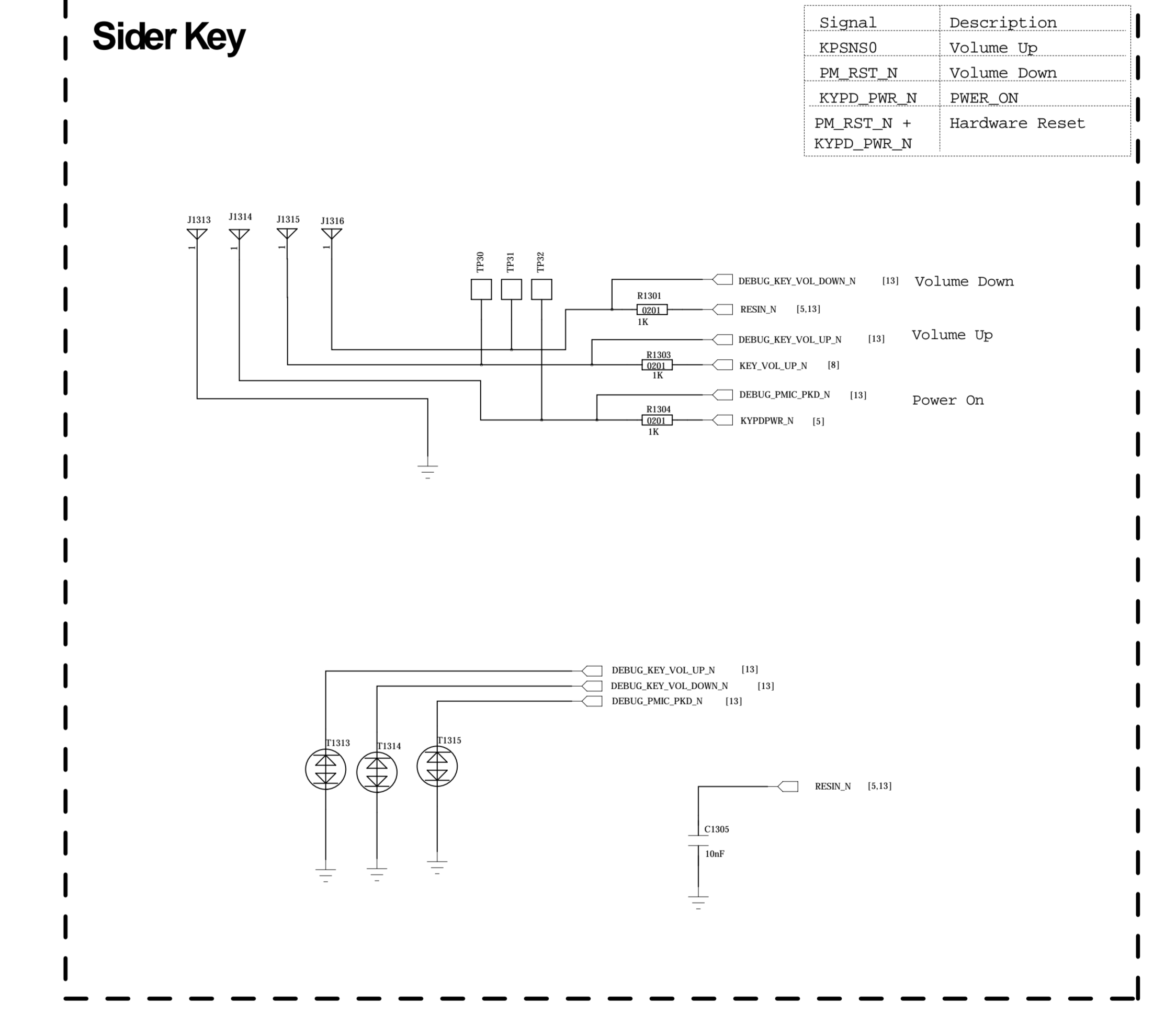
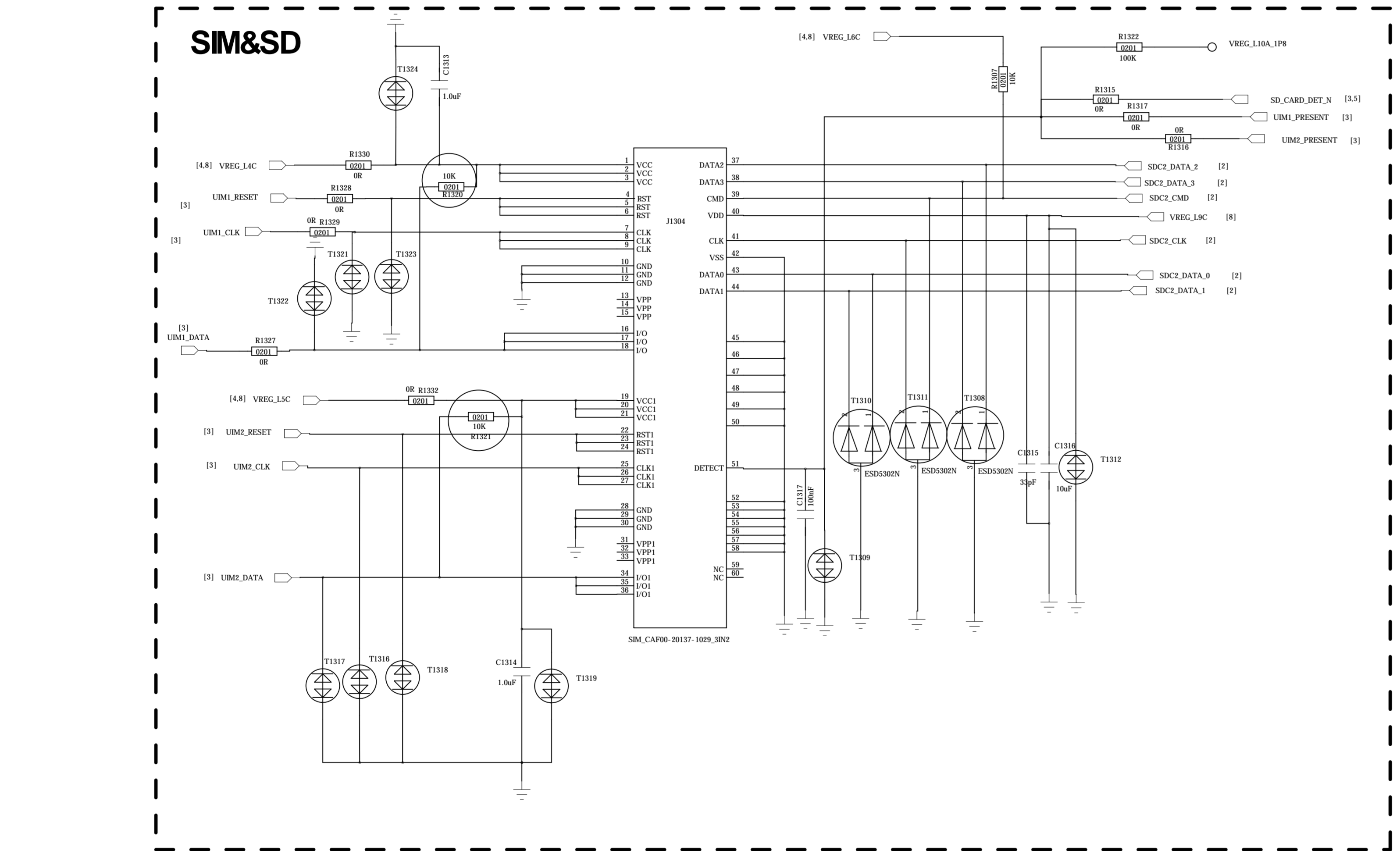
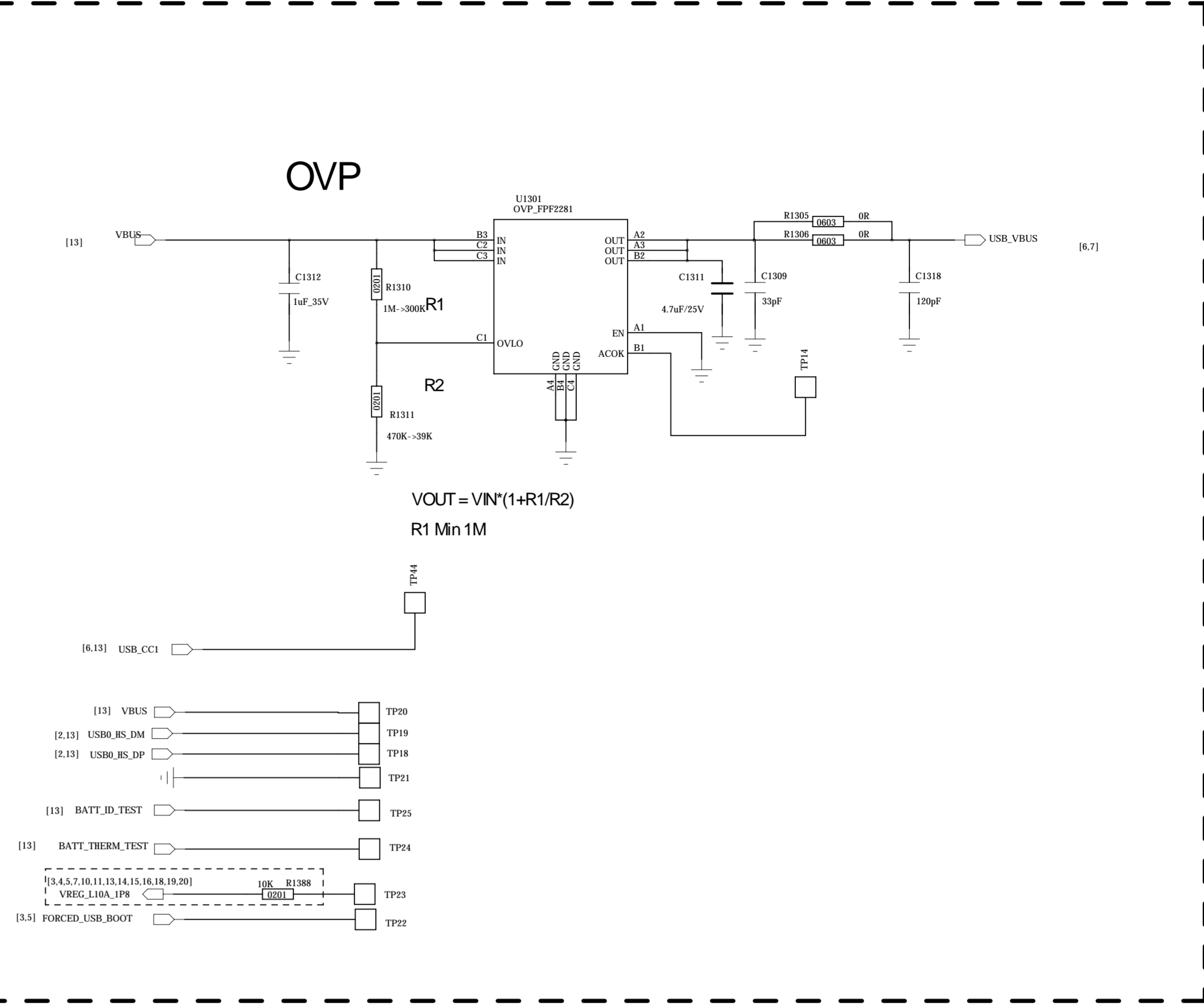
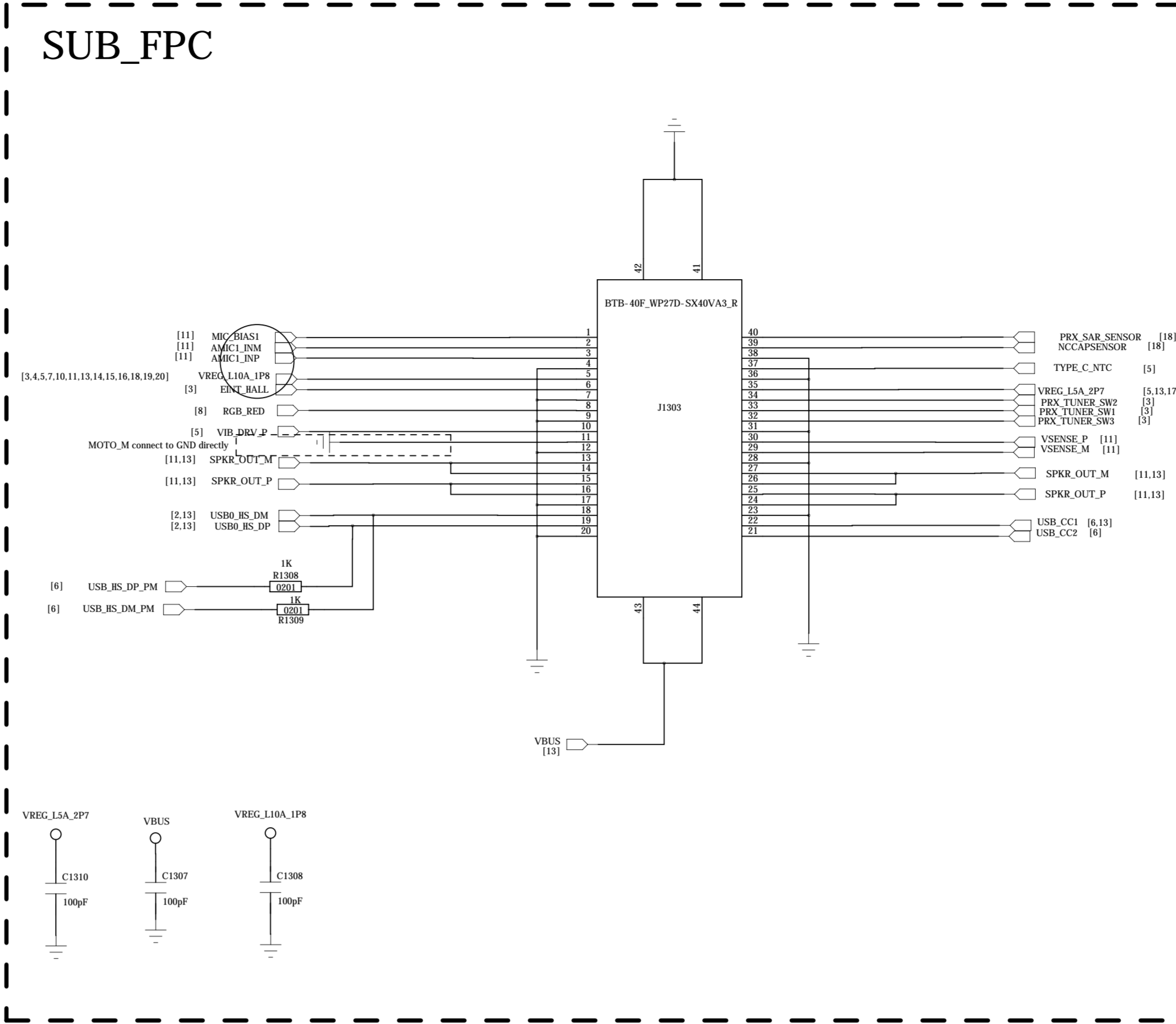
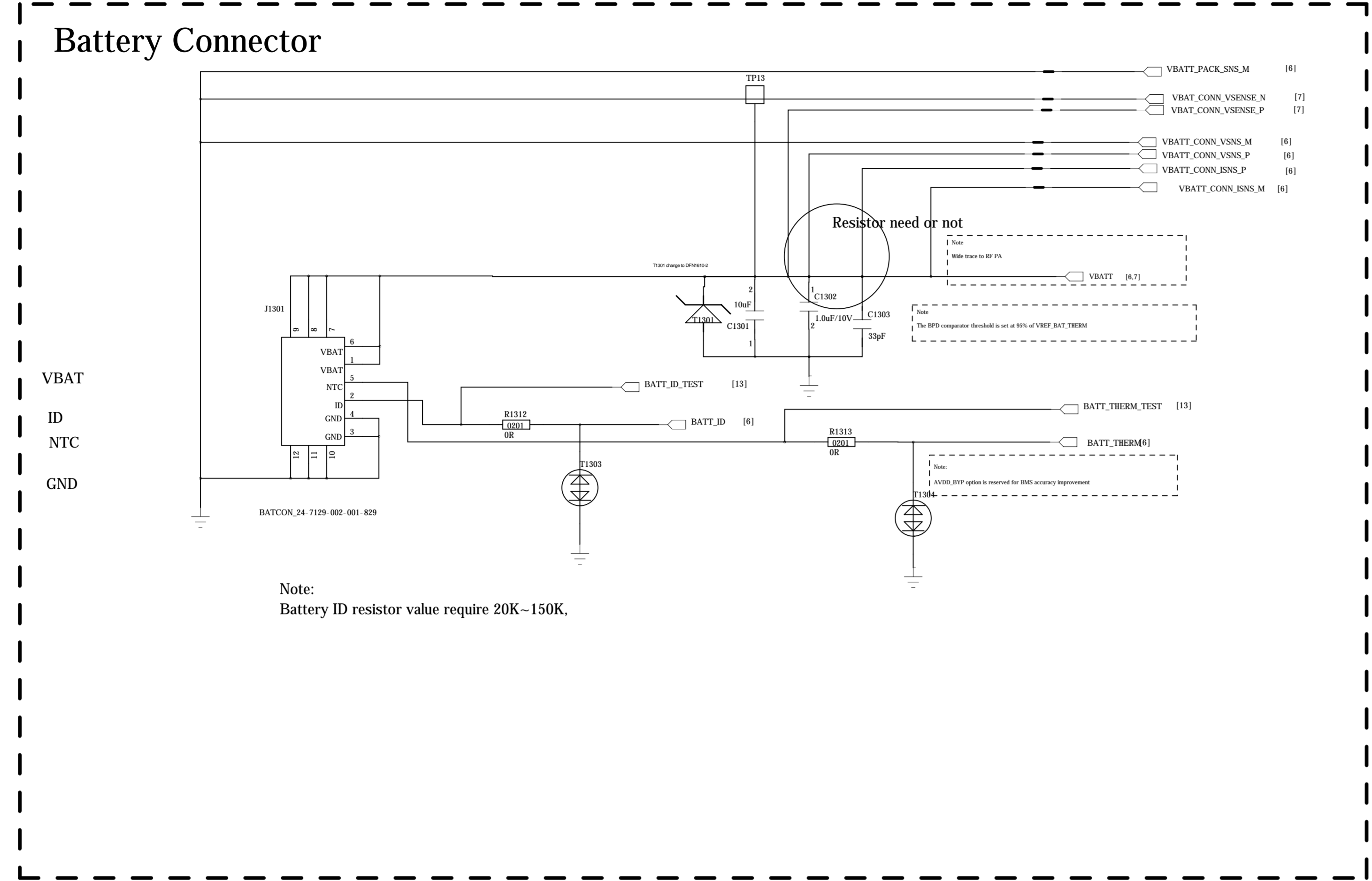
Note 62-1: The VCC of I2C_0 is pulled to 'VCAM_IO_PMU'.

Note 62-2: I2C control interface of front camera (with AF) must be assigned to I2C-2 bus when PIP/VIV feature is supported.

Note 62-3: Reserve a capacitor (27pF) on camera's MCLK and shunt it to GND to prevent GPS de-sense.

COMPANY: <Company Name>		TITLE: <Title>	
DRAWN: <Drawn By>	DATE: <Drawn Date>	CODE: <Code>	REV: <Revision>
CHECKED: <Checked By>	DATE: <Checked Date>	DRAWING NO: <Drawing Number>	
QUALITY CONTROL: <QC By>	DATE: <QC Date>	SCALE: <Scale>	
RELEASED: <Released By>	DATE: <Release Date>	SHEET 12 22	

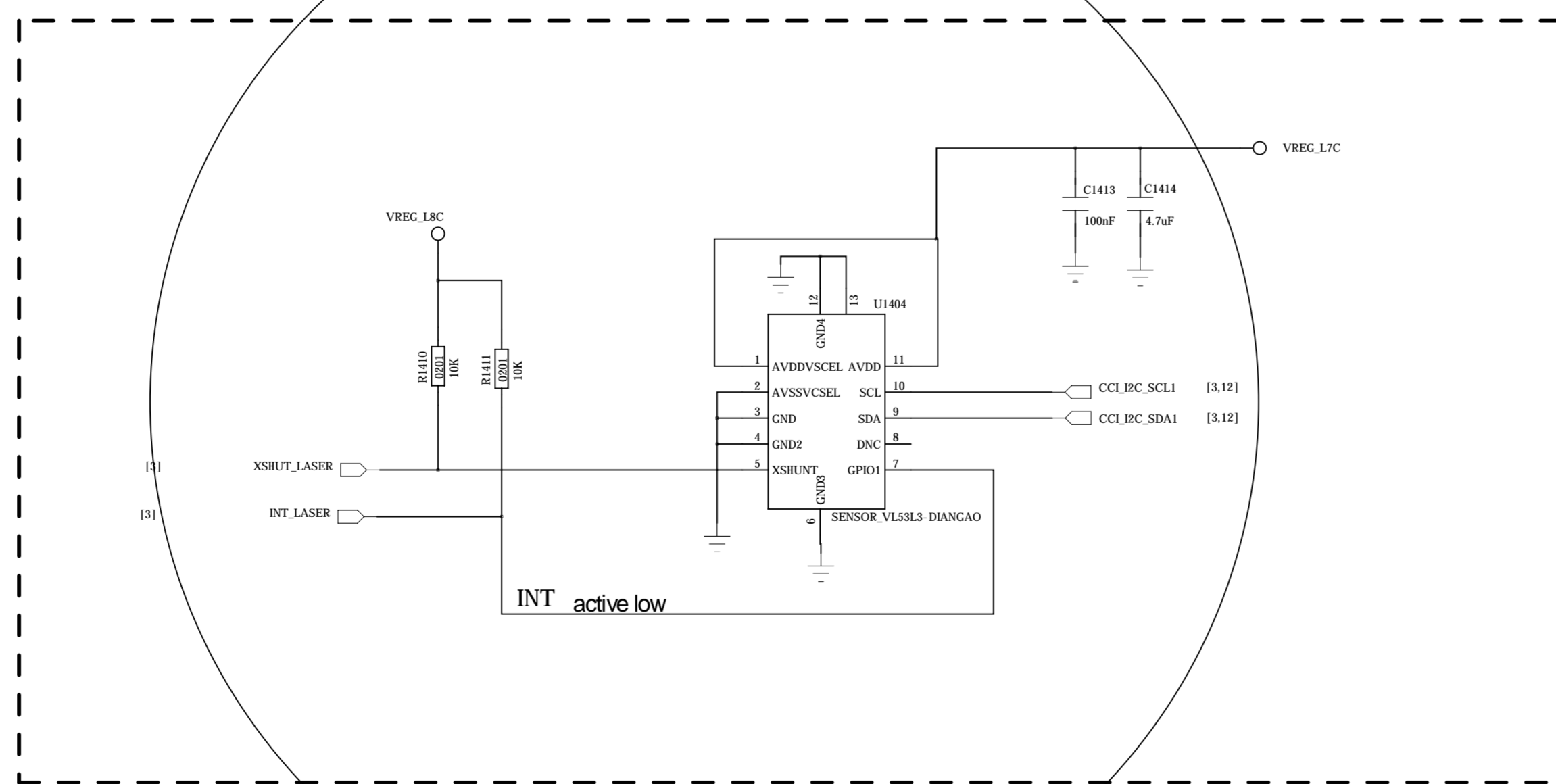
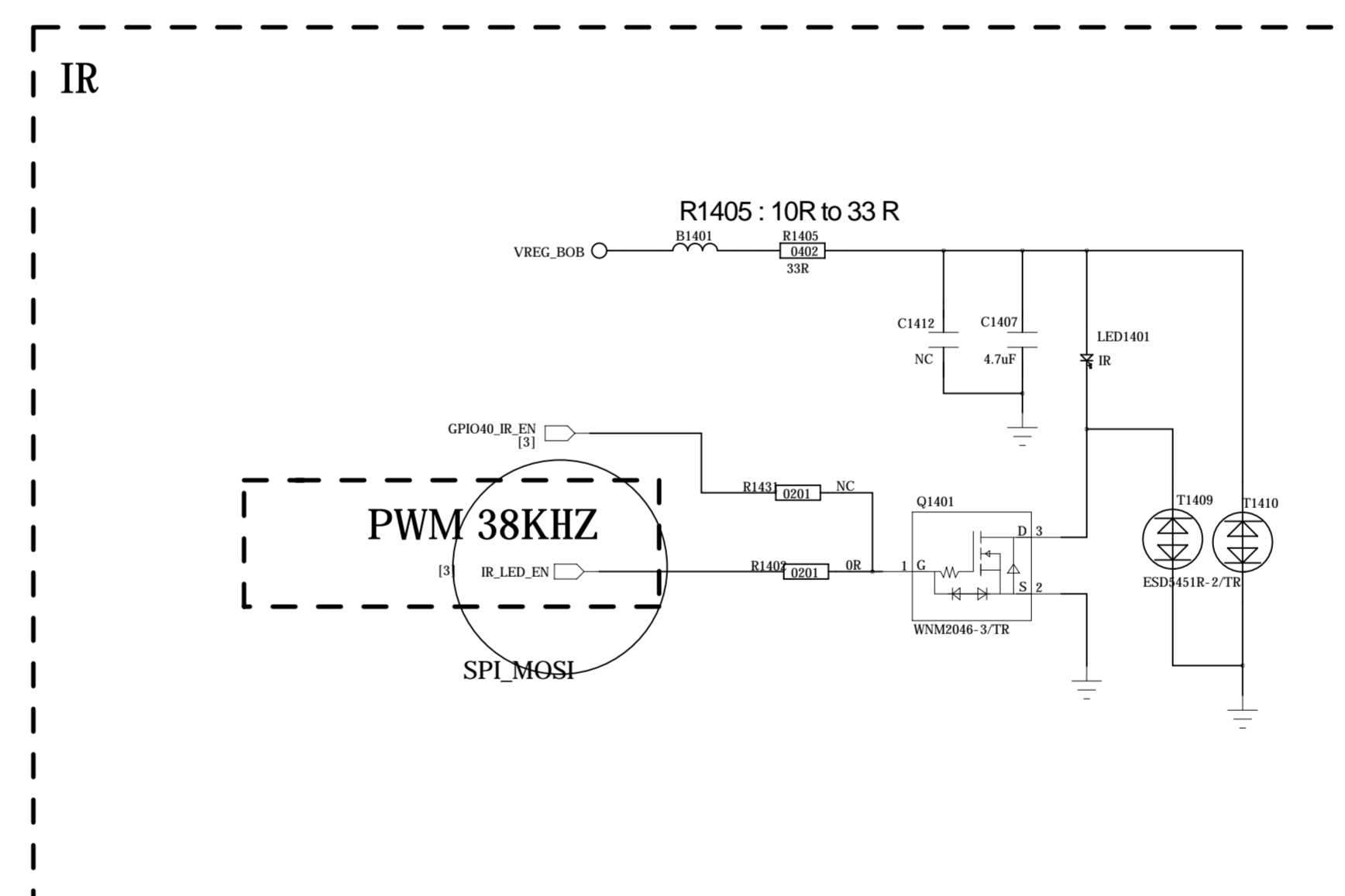
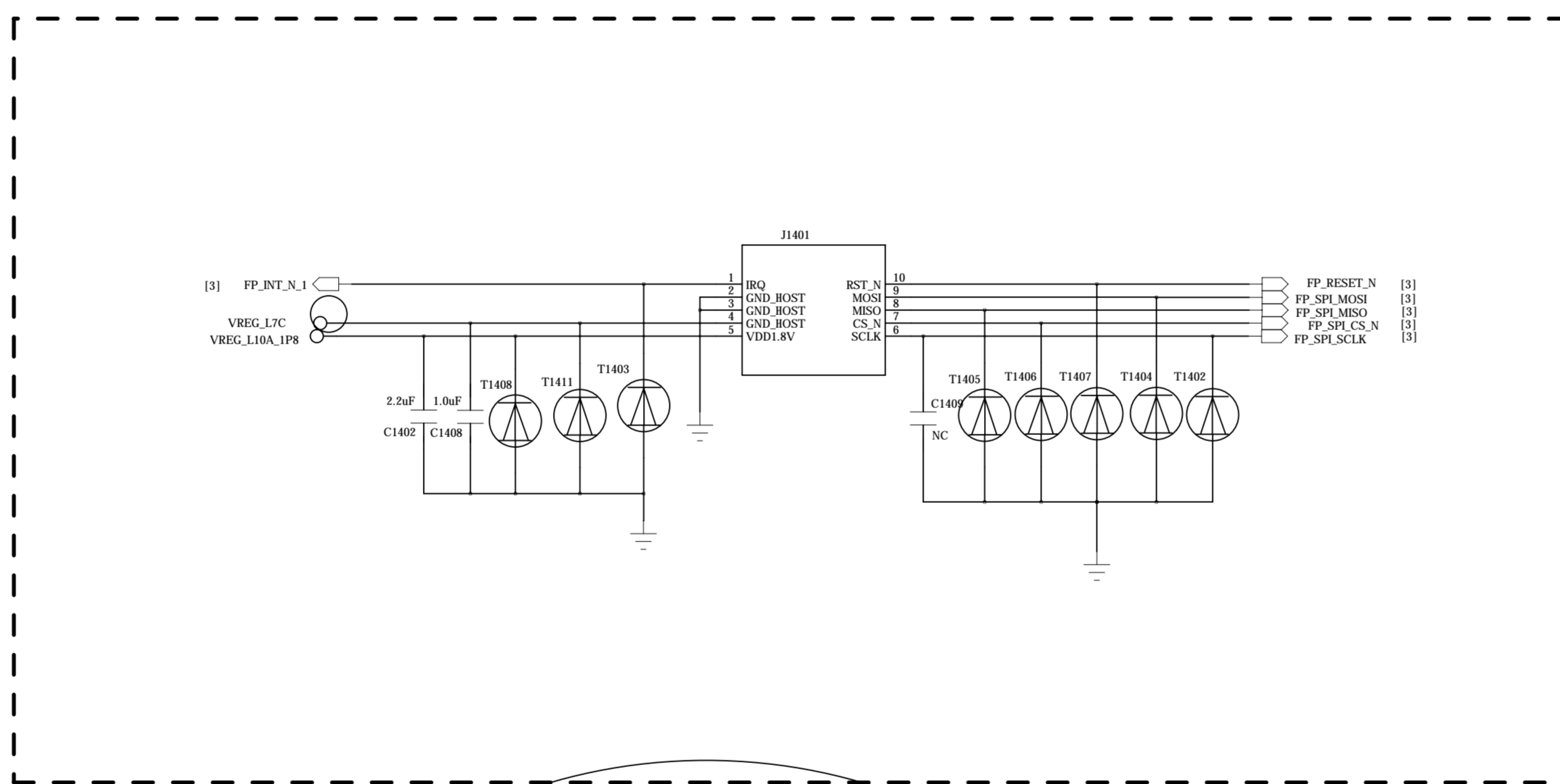
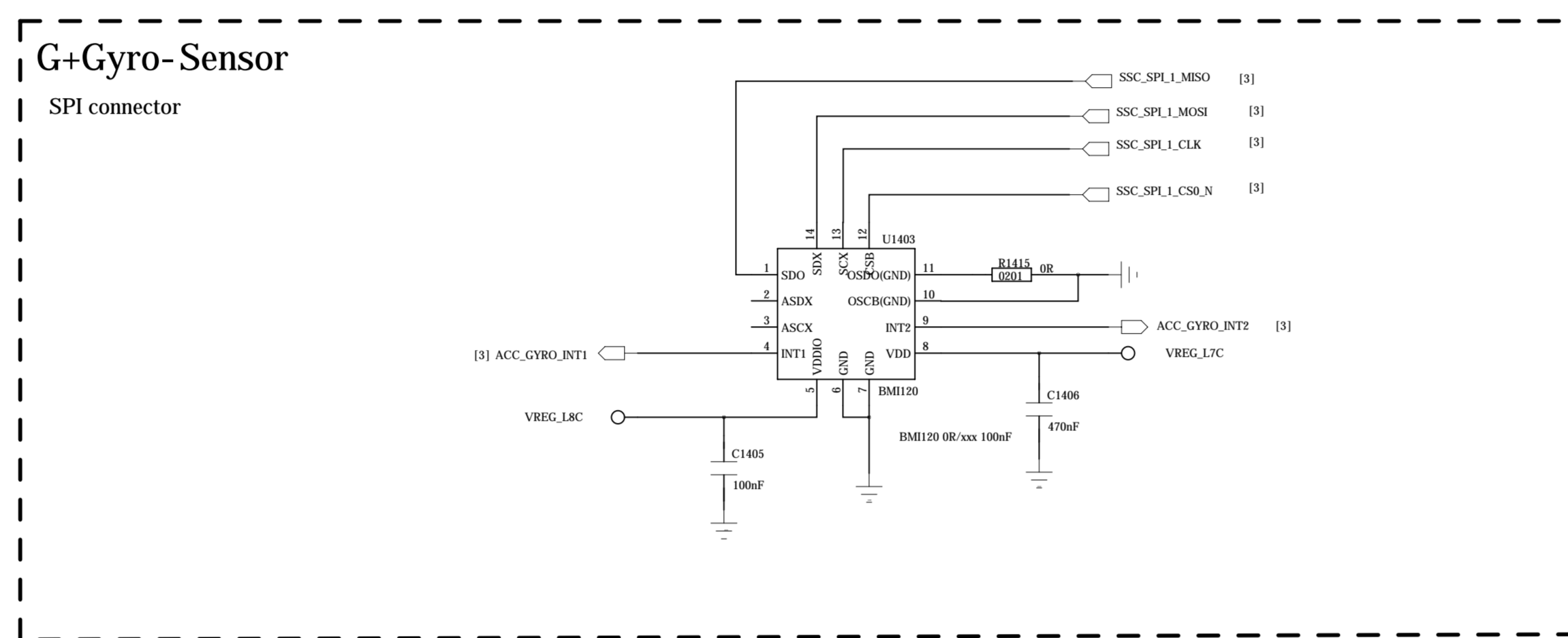
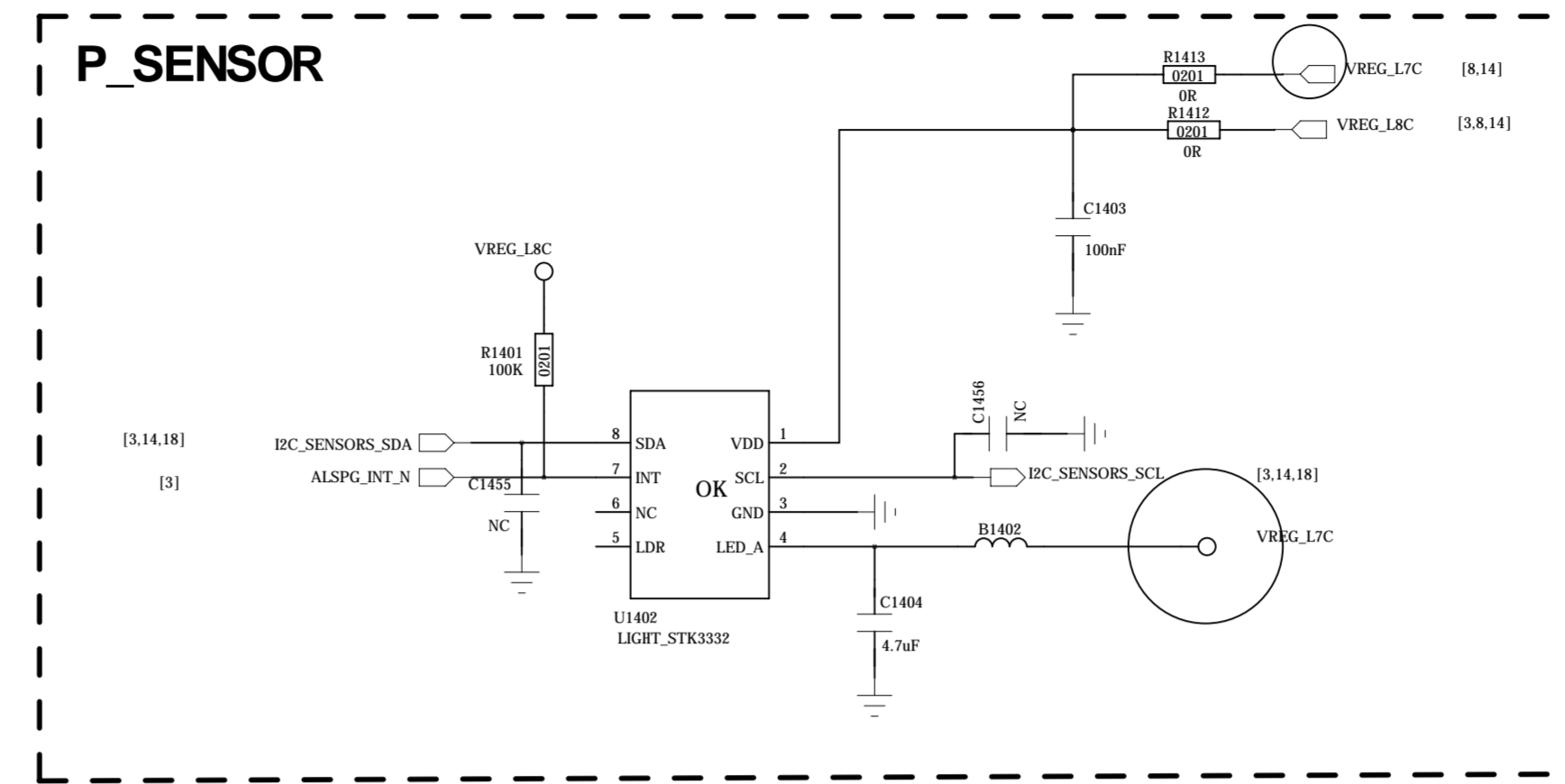
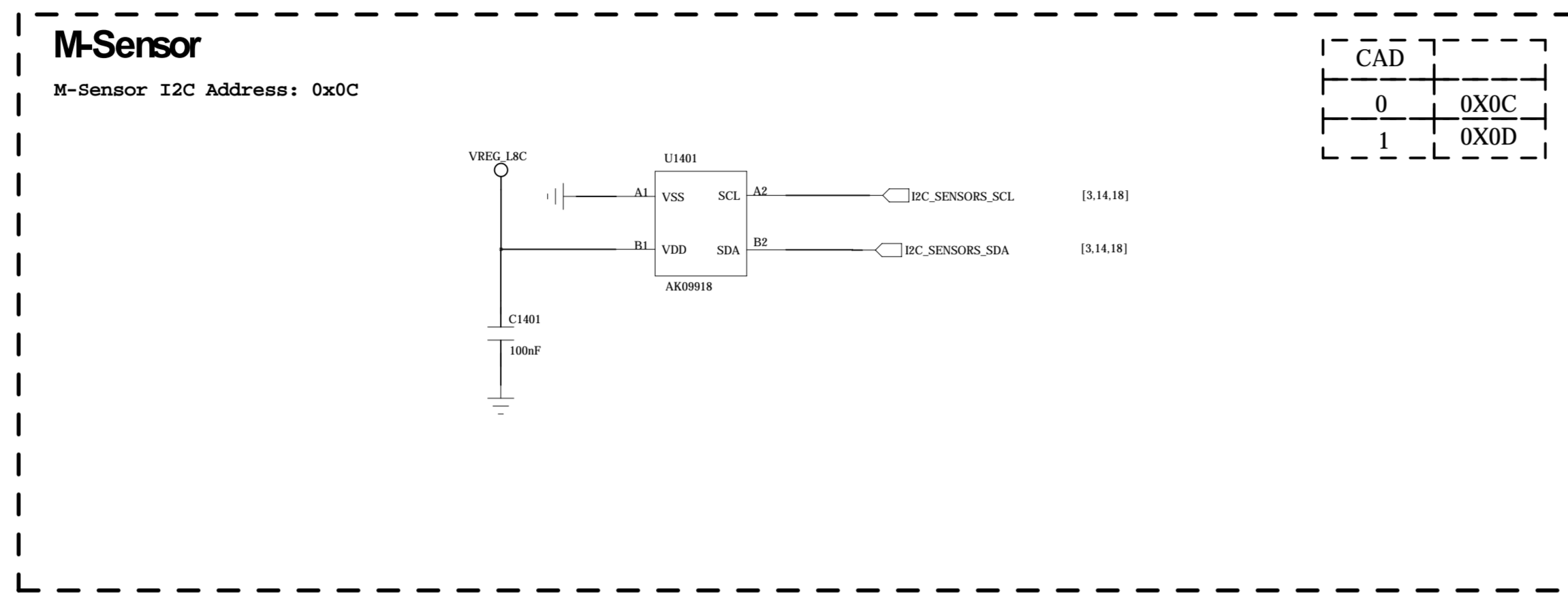
REVISION RECORD			
LT#	REV NO	APPROVED	DATE



COMPANY:		<Company Name>	
TITLE:		<Title>	
DRAWN:	<Drawn By>	DATE:	<Drawn Date>
CHECKED:	<Checked By>	DATE:	<Checked Date>
QUALITY CONTROL:	<QC By>	DATE:	<QC Date>
RELEASED:	<Released By>	DATE:	<Release Date>

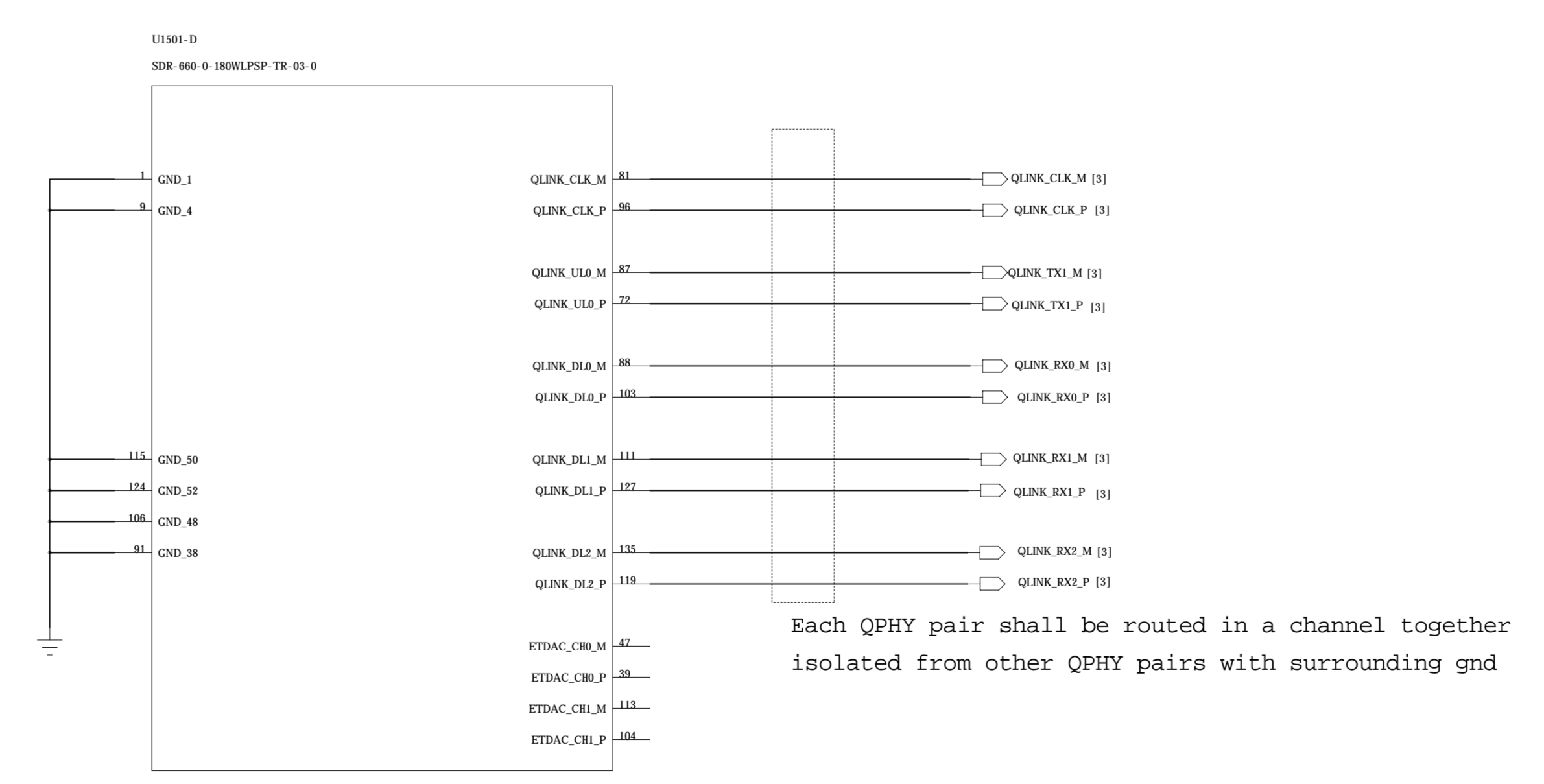
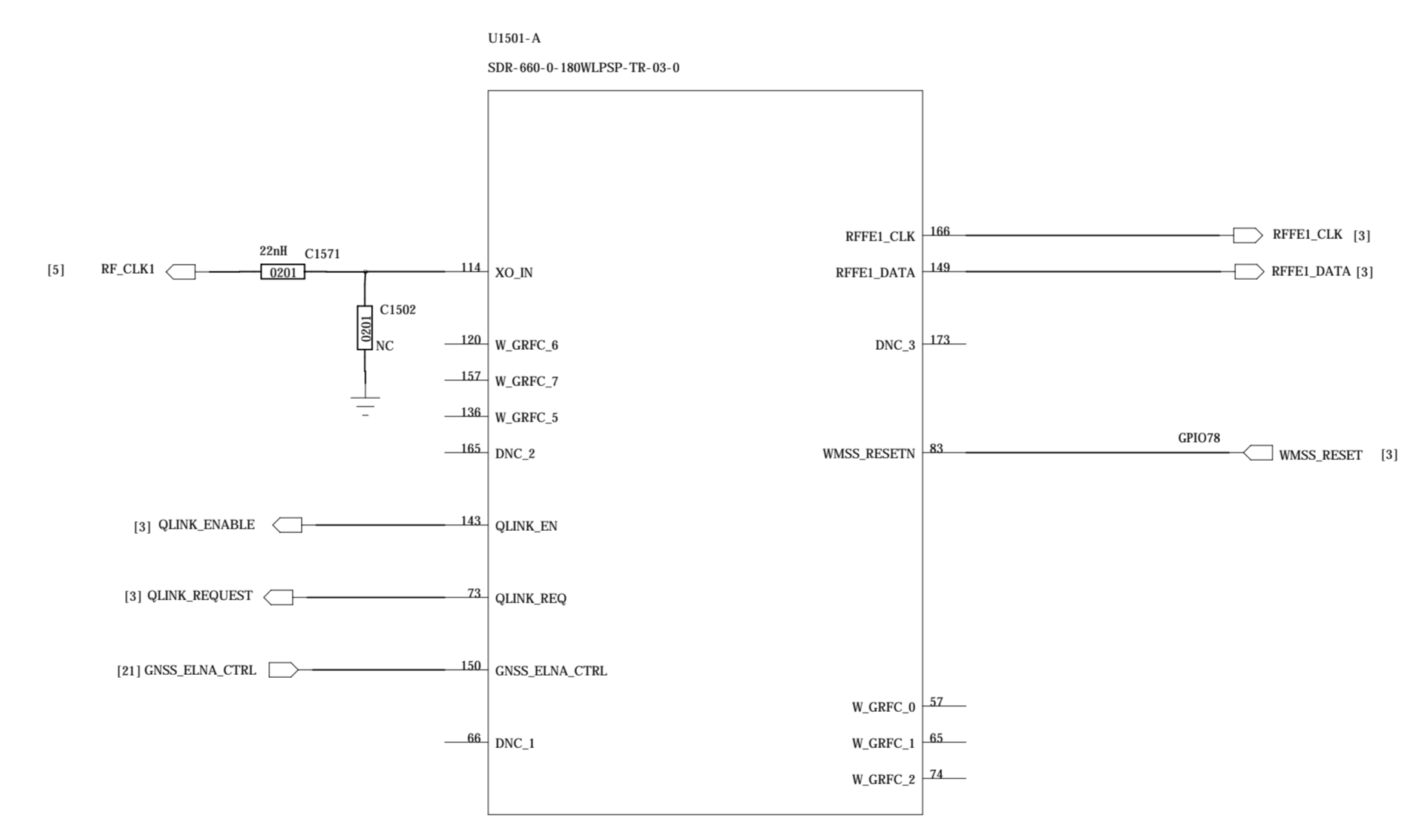
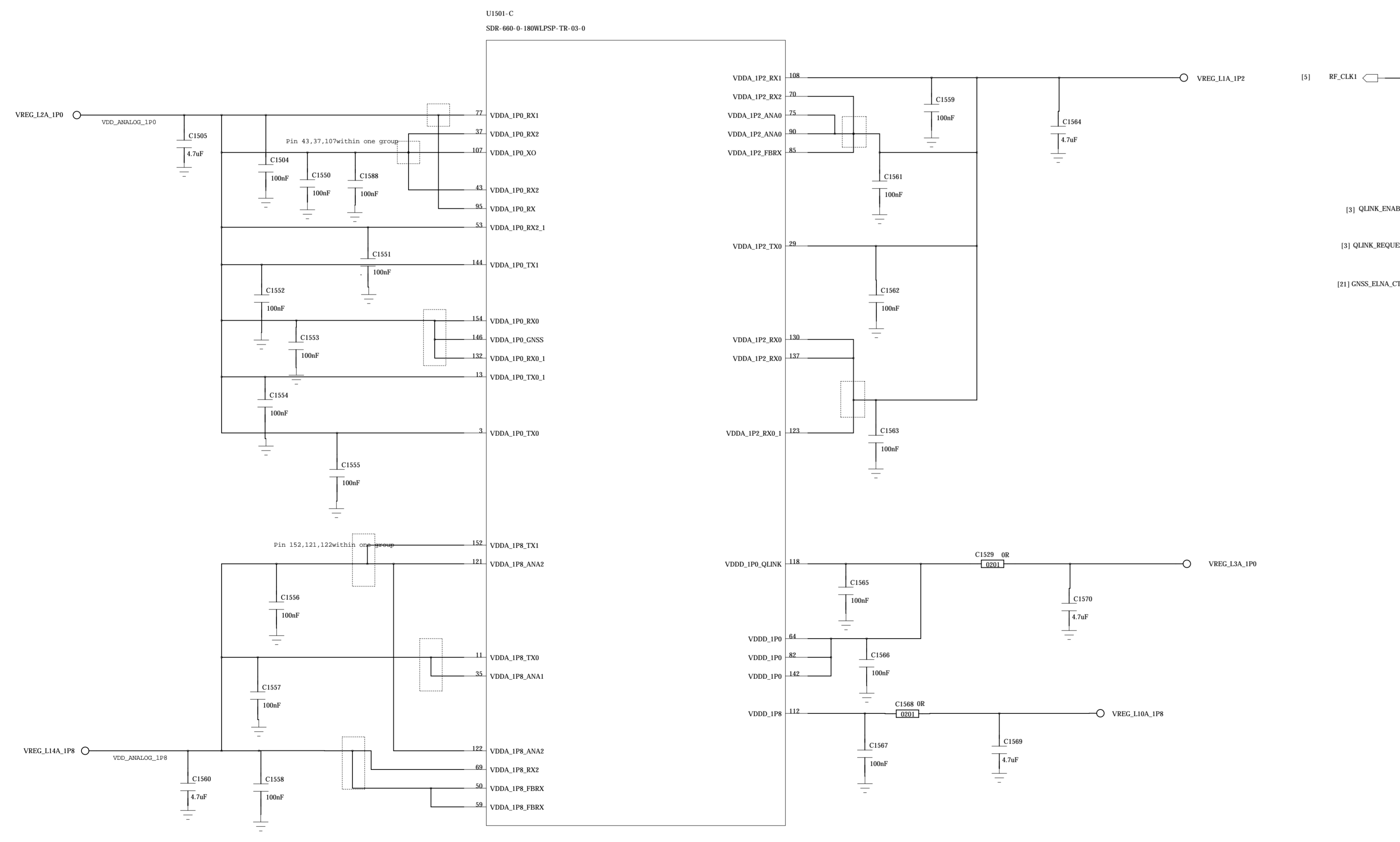
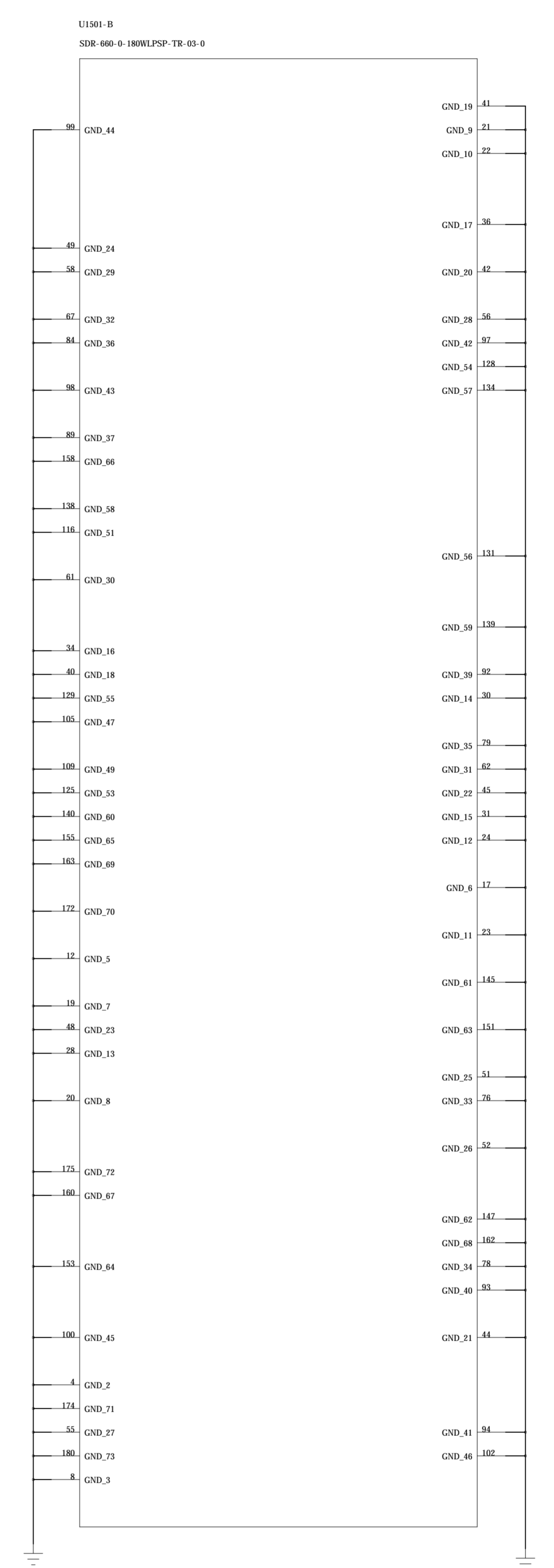
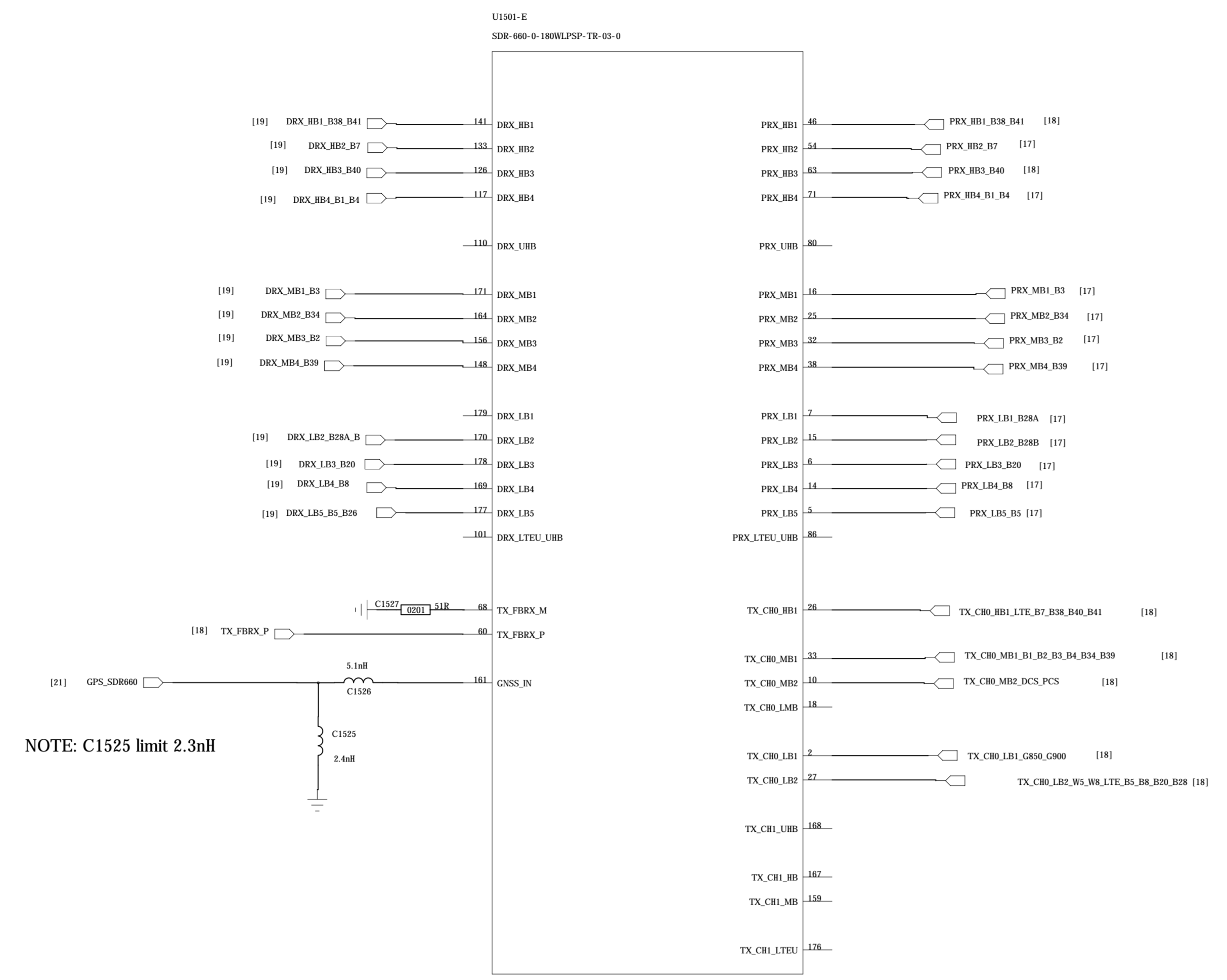
CODE:	SIZE:	DRAWING NO:	REV:
<Code>	A0	<Drawing Number>	<Revision>
SCALE:	<Scale>	SHEET:	18 / 22

REVISION RECORD			
LT#	ECO NO.	APPROVED	DATE



COMPANY: <Company Name>		TITLE: <Title>	
DESIGN: <Drawn By>	DATE: <Drawn Date>	CODE	SIZE
CHECKED: <Checked By>	DATE: <Checked Date>	DRAWING NO.	
QUALITY CONTROL: <QC By>	DATE: <QC Date>	REV.	
RELEASED: <Released By>	DATE: <Release Date>	SCALE: <Scale>	
SHEET 14		22	

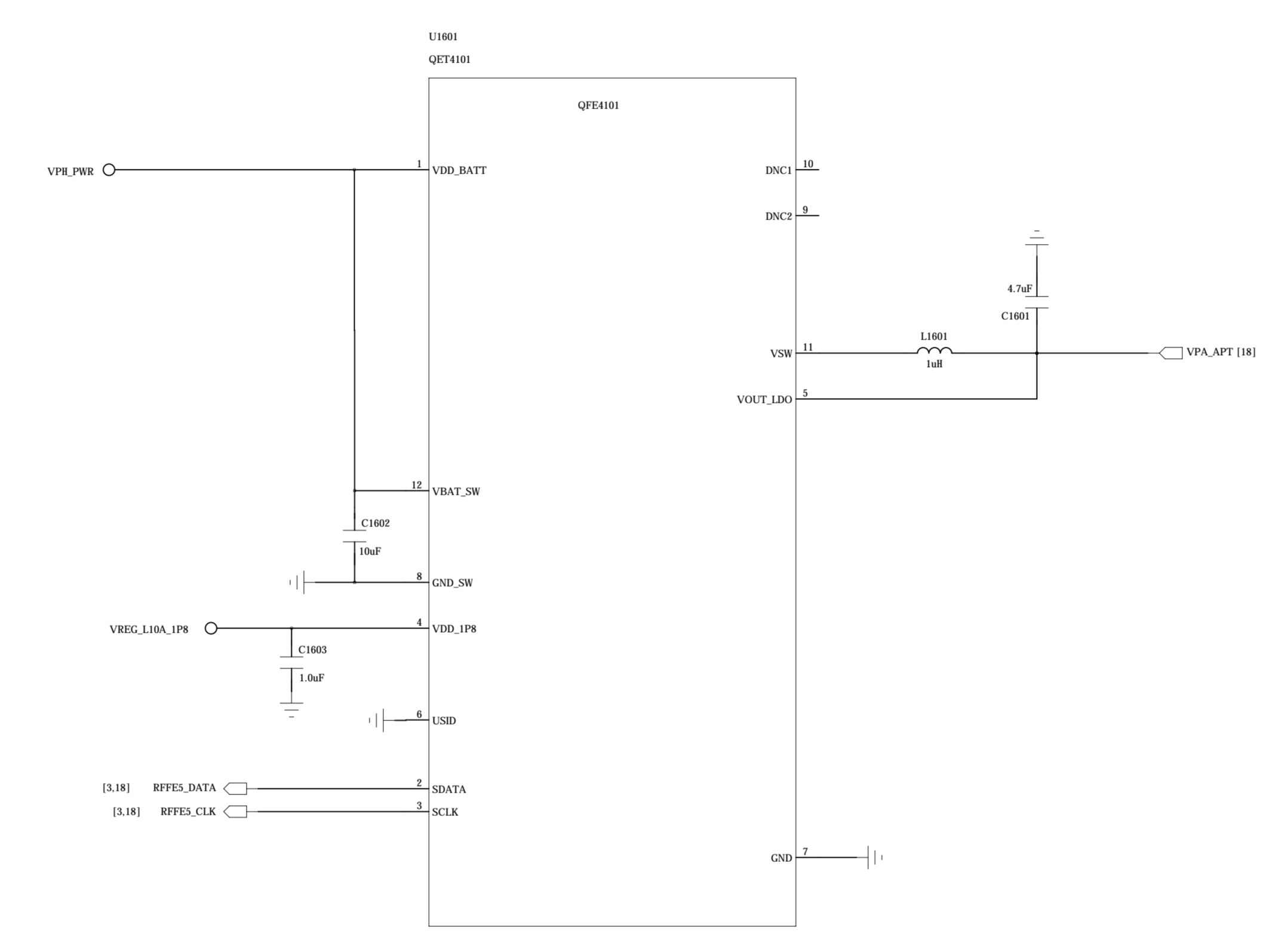
REVISION RECORD			
LT#	ECO NO.	APPROVED	DATE



QPHY_ETDAC_TEST

DRAWN: <Name>		DATED: <Date>		COMPANY: <Company Name>	
CHECKED: <Name>		DATE: <Date>		TITLE: <Title>	
QUALITY CONTROL: <Name>		DATE: <Date>		CODE: <Code>	SIZE: A0
RELEASED: <Name>		DATE: <Date>		DRAWING NO: <Drawing Number>Revision: <Revision>	
		SCALE: <Scale>		SHEET: 18 22	

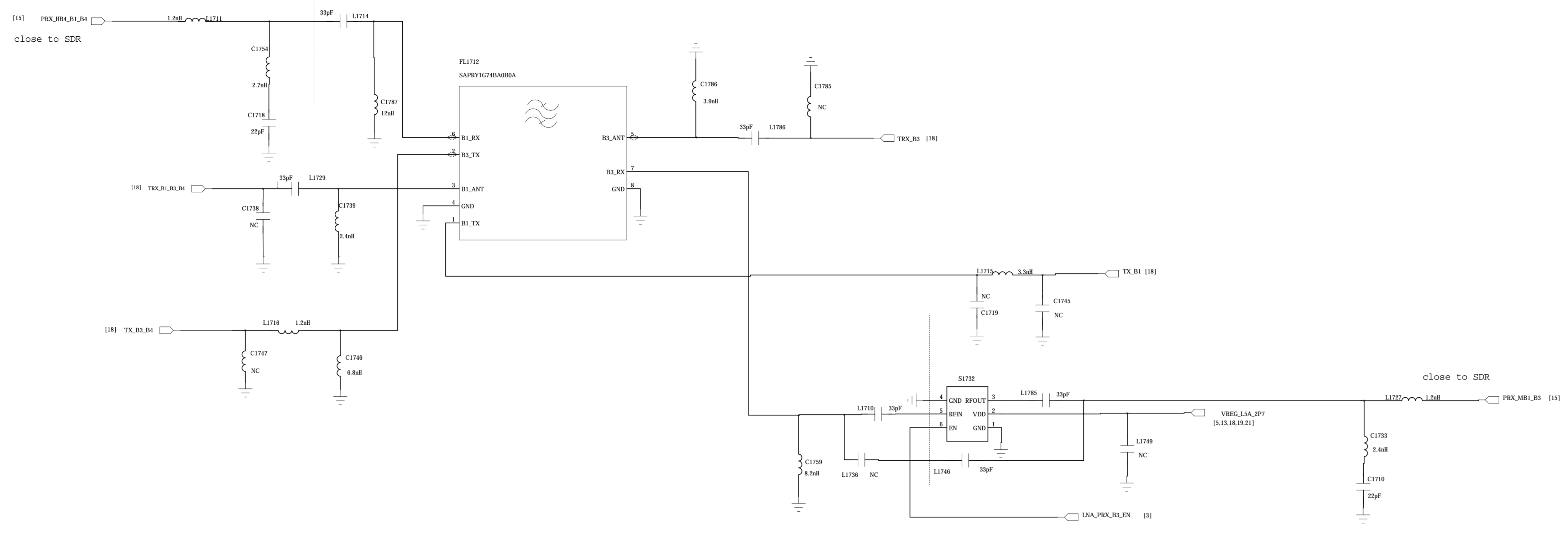
REVISION RECORD			
LT#	REV NO	APPROVED	DATE



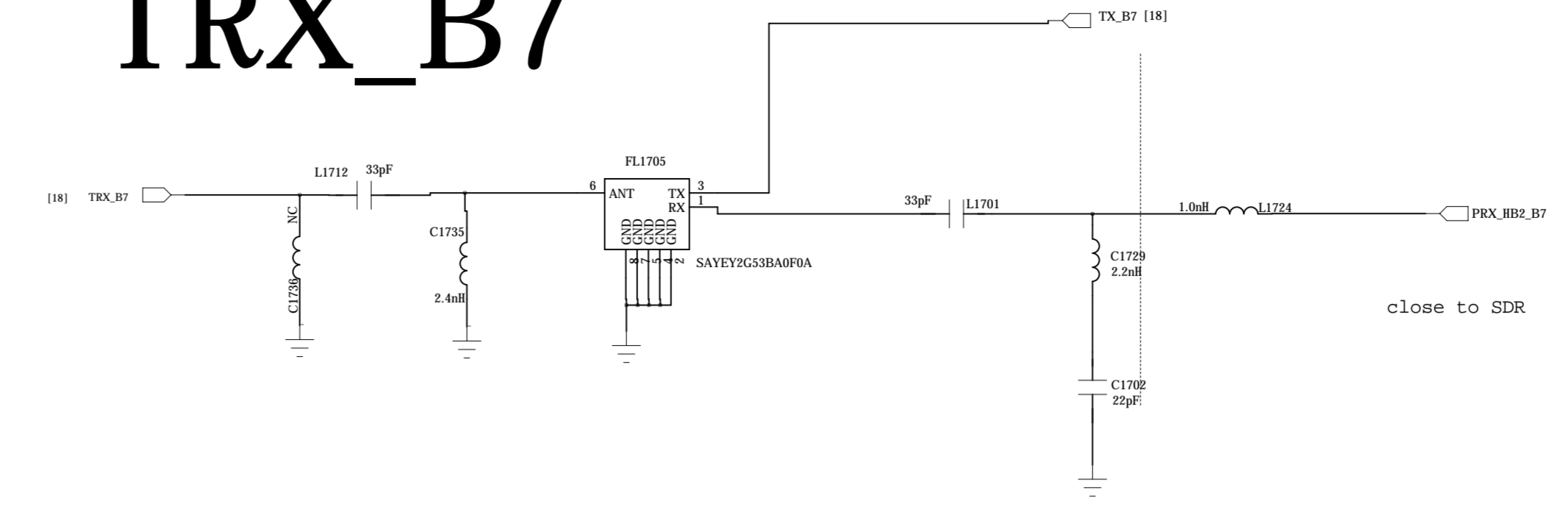
DRAWN: <Drawn By>		DATED: <Drawn Date>		COMPANY: <Company Name>			
CHECKED: <Checked By>		DATED: <Checked Date>		TITLE: <Title>			
QUALITY CONTROL: <QC By>		DATED: <QC Date>		CODE: <Code>	SIZE: A0	DRAWING NO: <Drawing Number>	REV: <Revision>
RELEASED: <Released By>		DATED: <Release Date>		SCALE: <Scale>		SHEET: 18 22	

REVISION RECORD			
LTN	ECO NO.	APPROVED	DATE

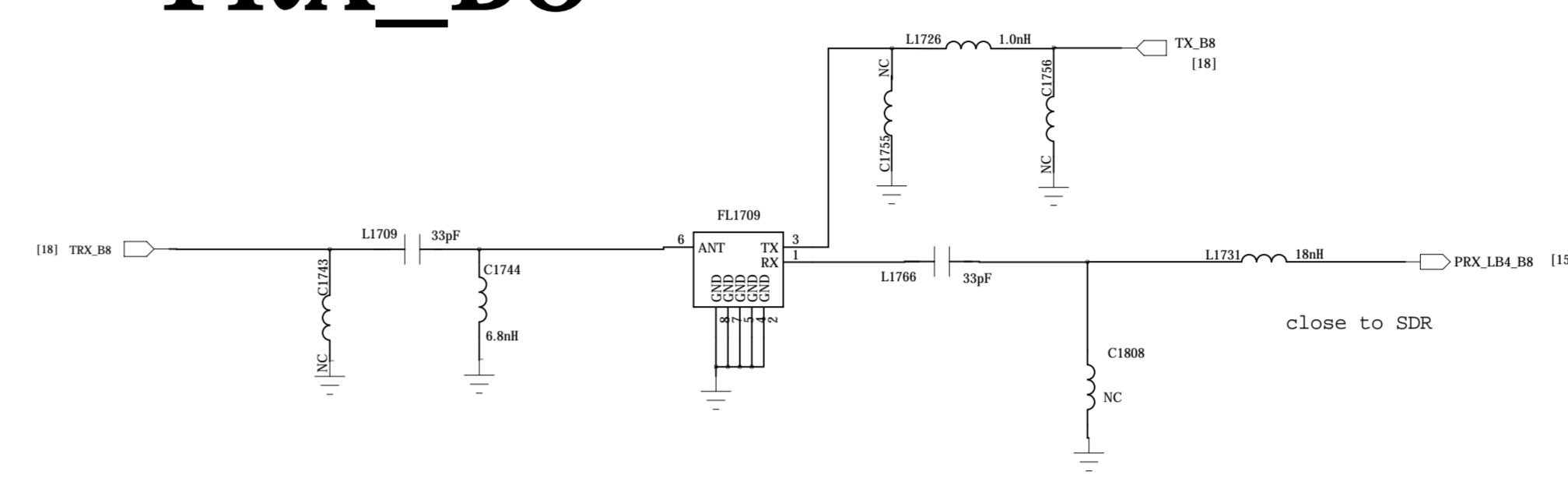
TRX_B1_B3_B4



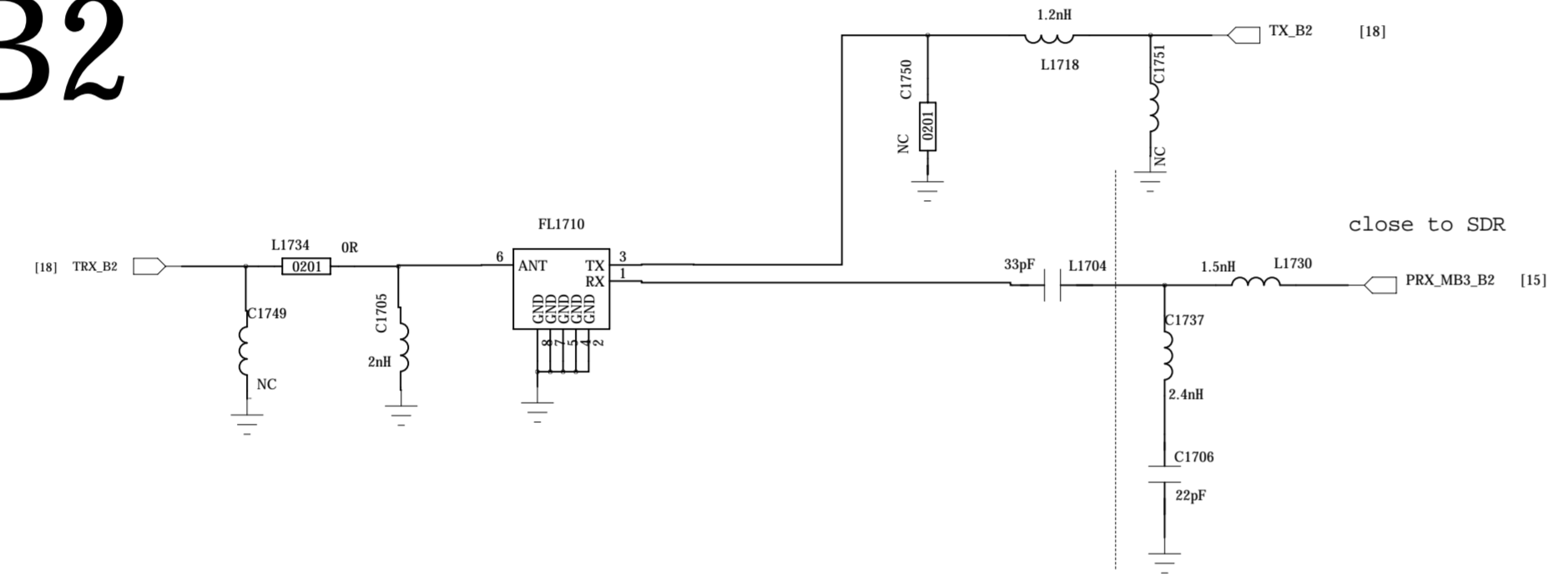
TRX_B7



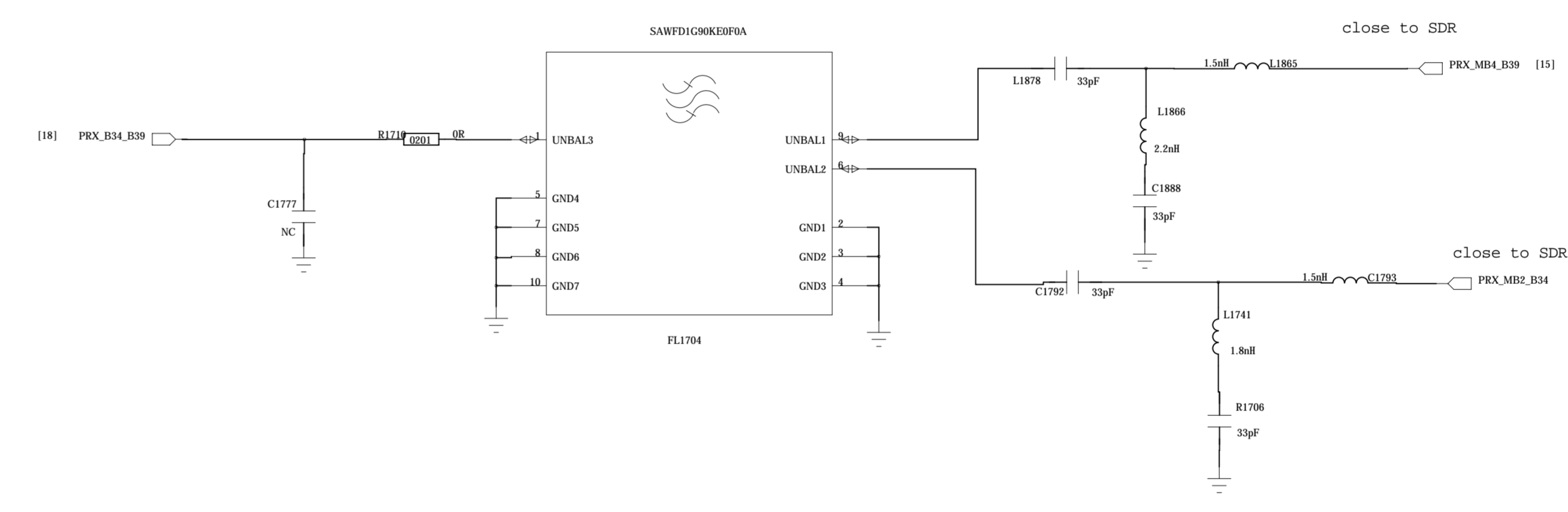
TRX_B8



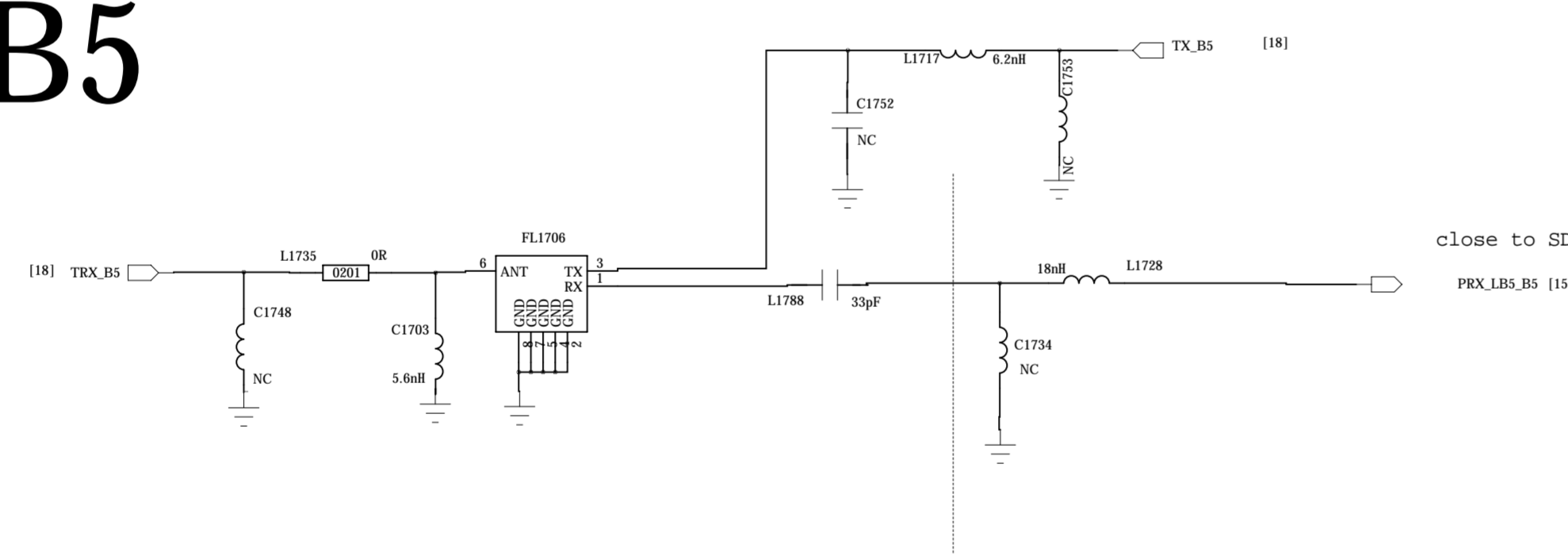
TRX_B2



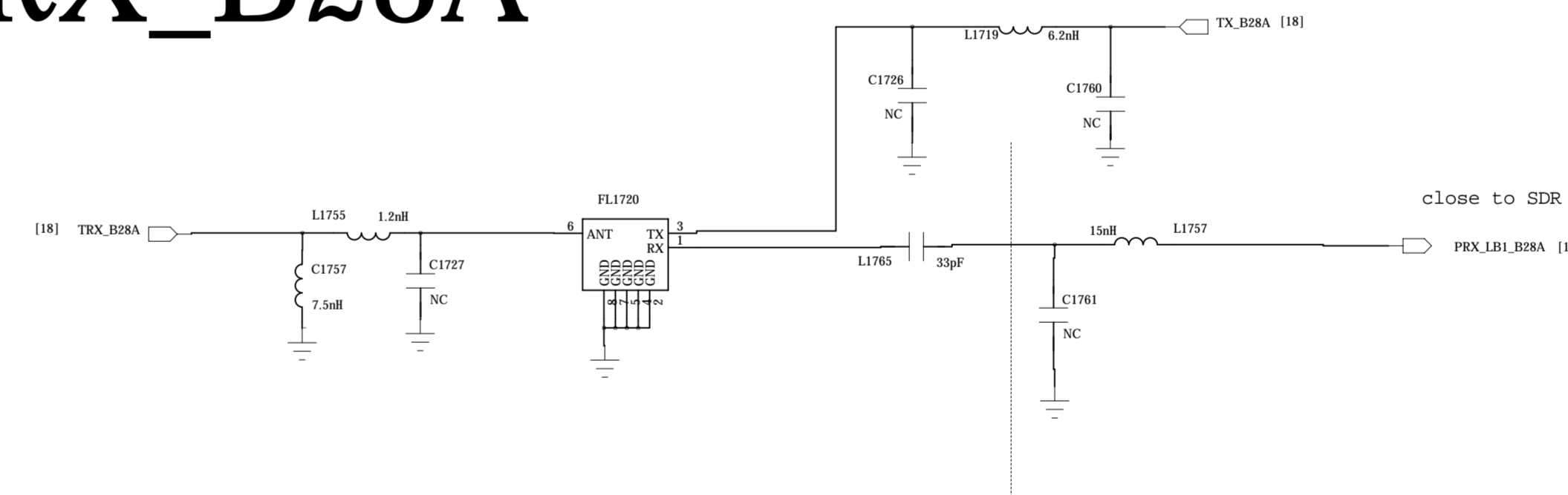
PRX_B34_B39



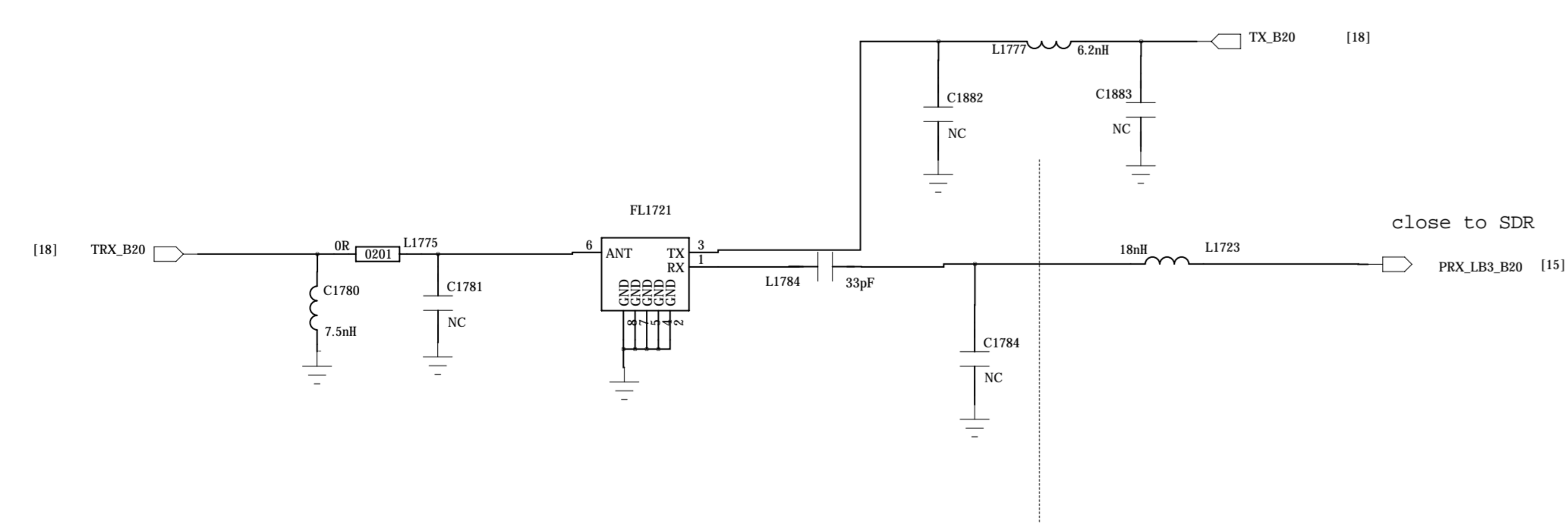
TRX_B5



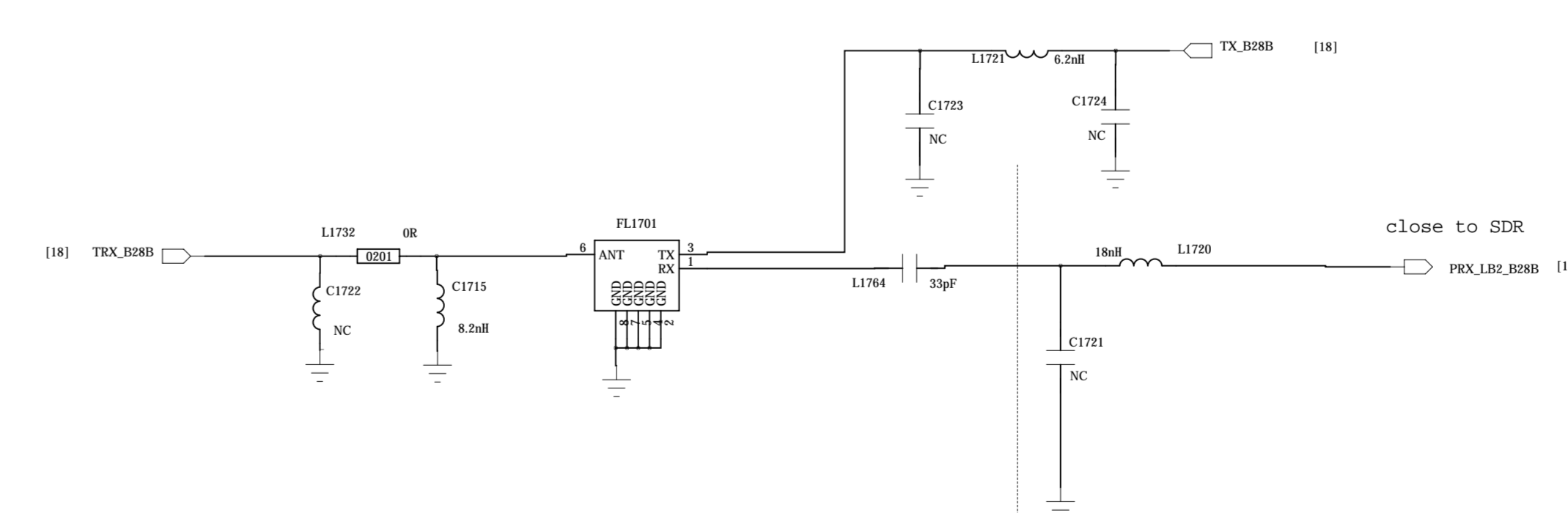
TRX_B28A



TRX_B20



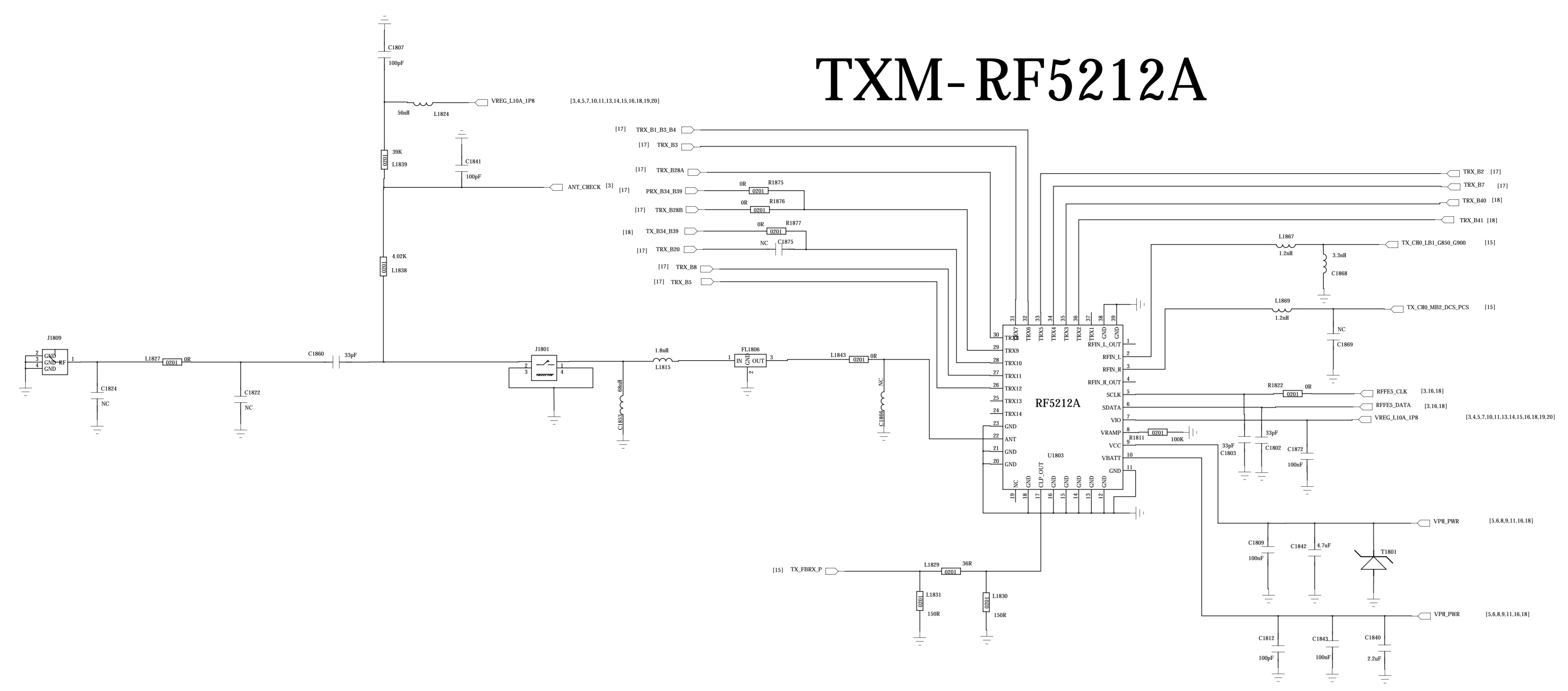
TRX_B28B



REVISION RECORD				COMPANY: <Company Name>			
DATE	DRAWN BY	DATE	CHECKED BY	CODE	SIZE	DEARING NO	REV
<Drawn Date>	<Drawn By>	<Checked Date>	<Checked By>	<Code>	A0	<Drawing Number>	<Revision>
<QC Date>	<QC By>	<Release Date>	<Release By>	SCALE: <Scale>			SHEET: 17 22

REVISION RECORD			
LTB	ECO NO	APPROVED	DATE

TXM-RF5212A



MMMB_PA

PRX_B41

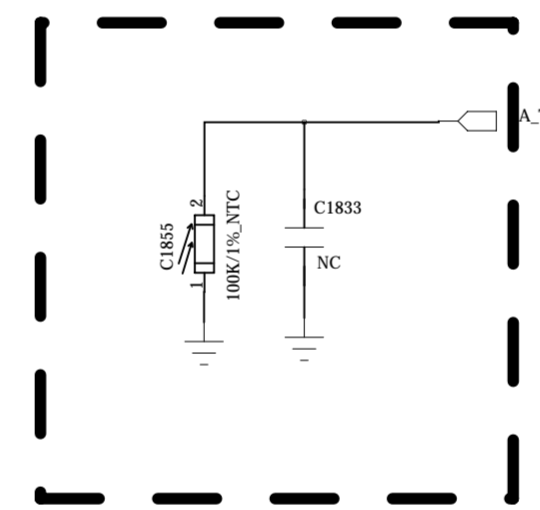
PRX_B40

TX_B7

TRX_B40

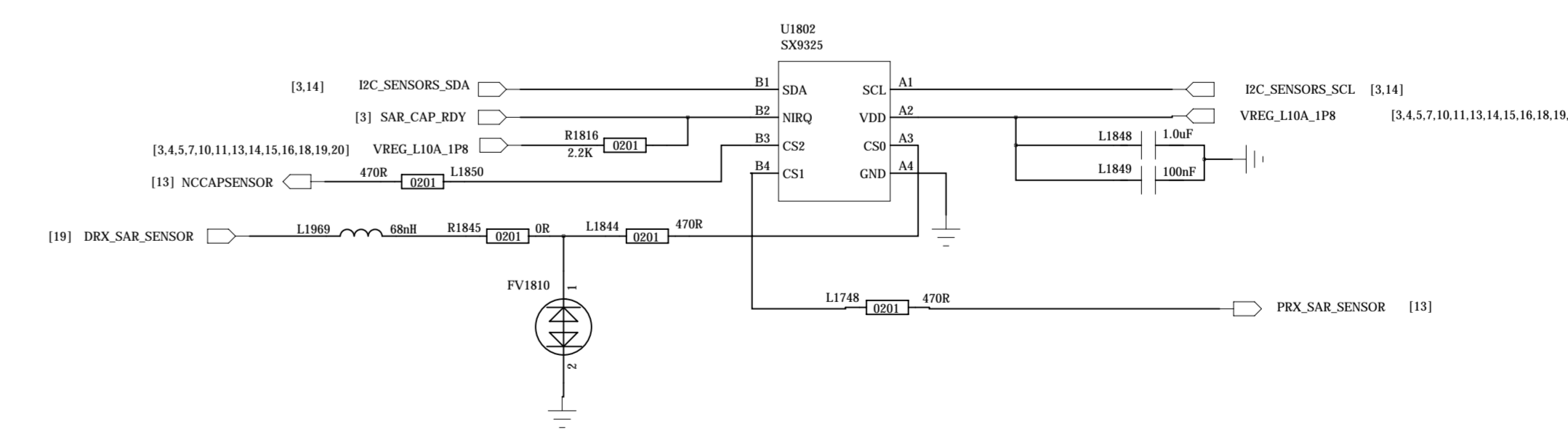
TRX_B41

TX_B34_B39



PA_THERMO

SAR_SENSOR



D

D

C

C

B

B

A

A

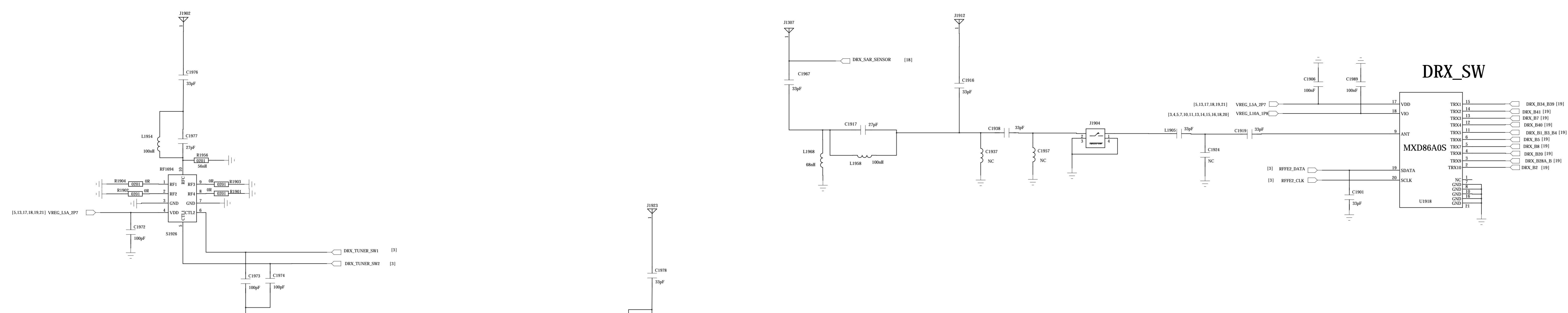
COMPANY: <Company Name>				TITLE: <Title>	
DRAWN: <Drawn By>	DATE: <Drawn Date>	CODE: <Code>	SIZE: A0	DRAWING NO: <Drawing Number>	REV: <Revision>
CHECKED: <Checked By>	DATE: <Checked Date>	QUALITY CONTROL: <QC By>	DATE: <QC Date>	SCALE: <Scale>	
RELEASED: <Released By>	DATE: <Release Date>	SHEET: 18		22	

REVISION RECORD			
LT#	ECO NO.	APPROVED	DATE

6 5 4 3 2 1

D

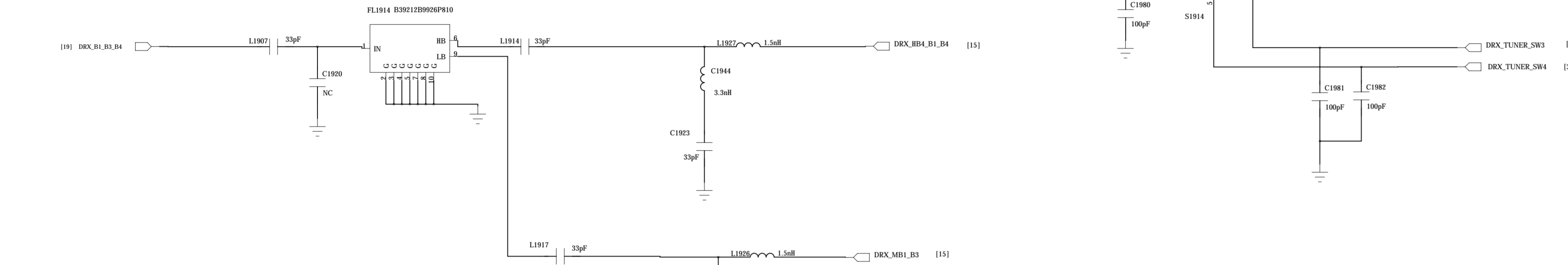
D



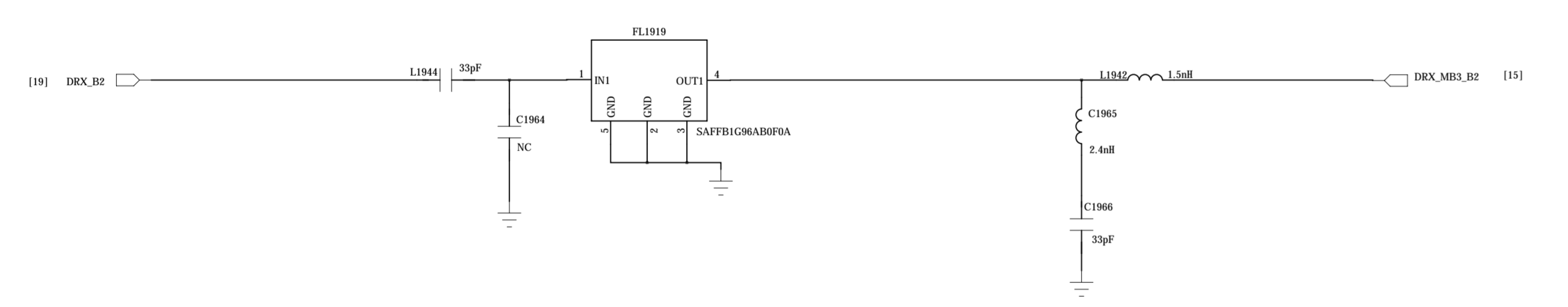
C

C

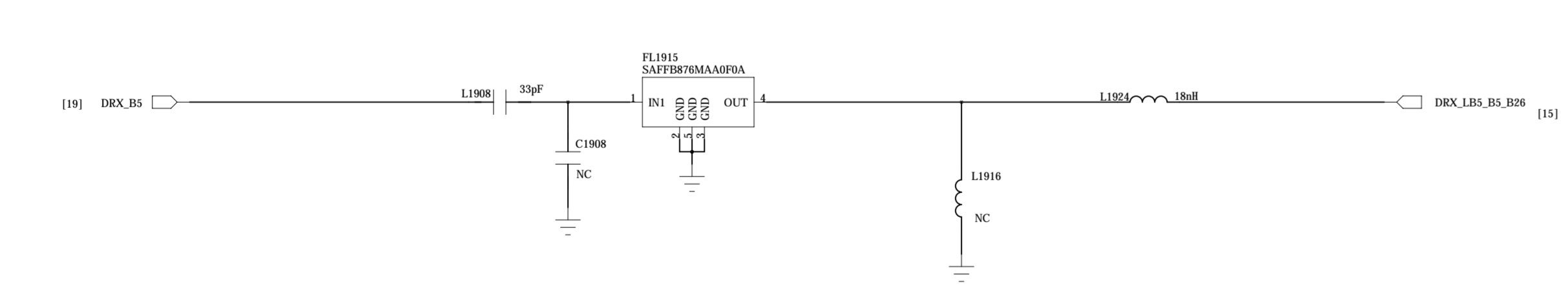
B1_B3_B4_DRX



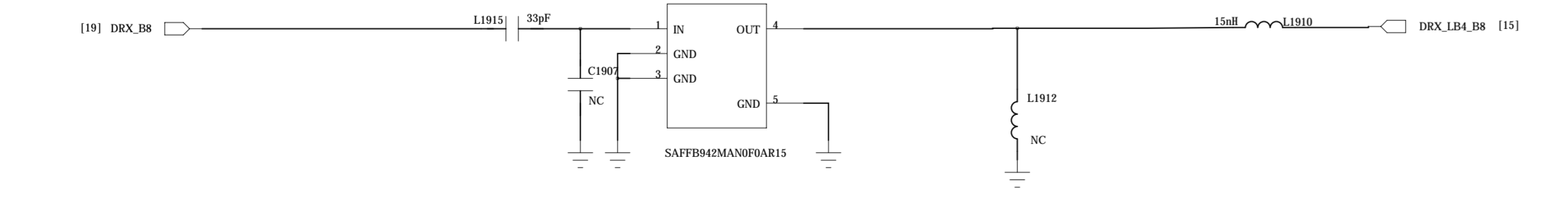
B2_DRX



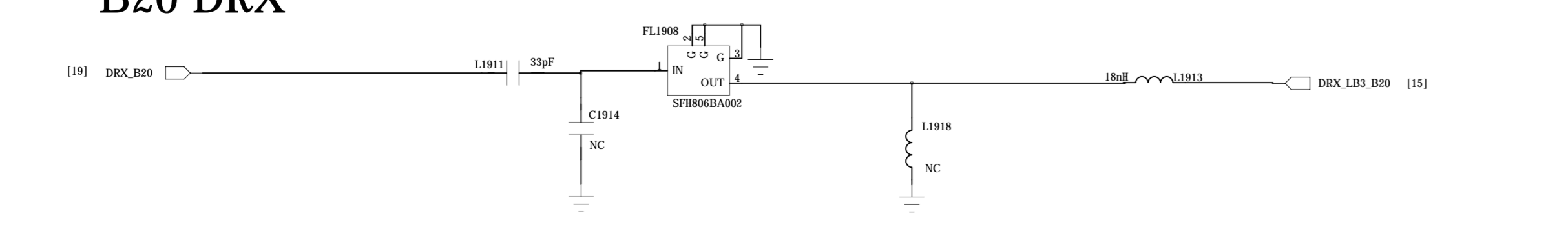
B5_DRX



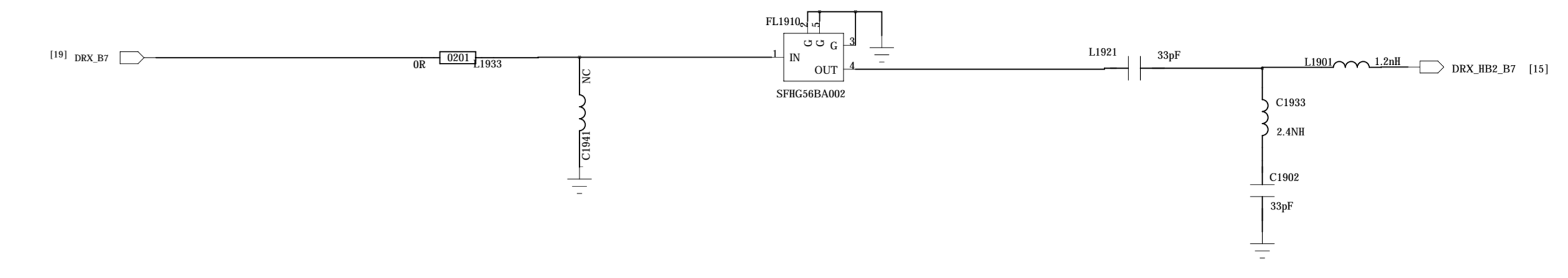
B8_DRX



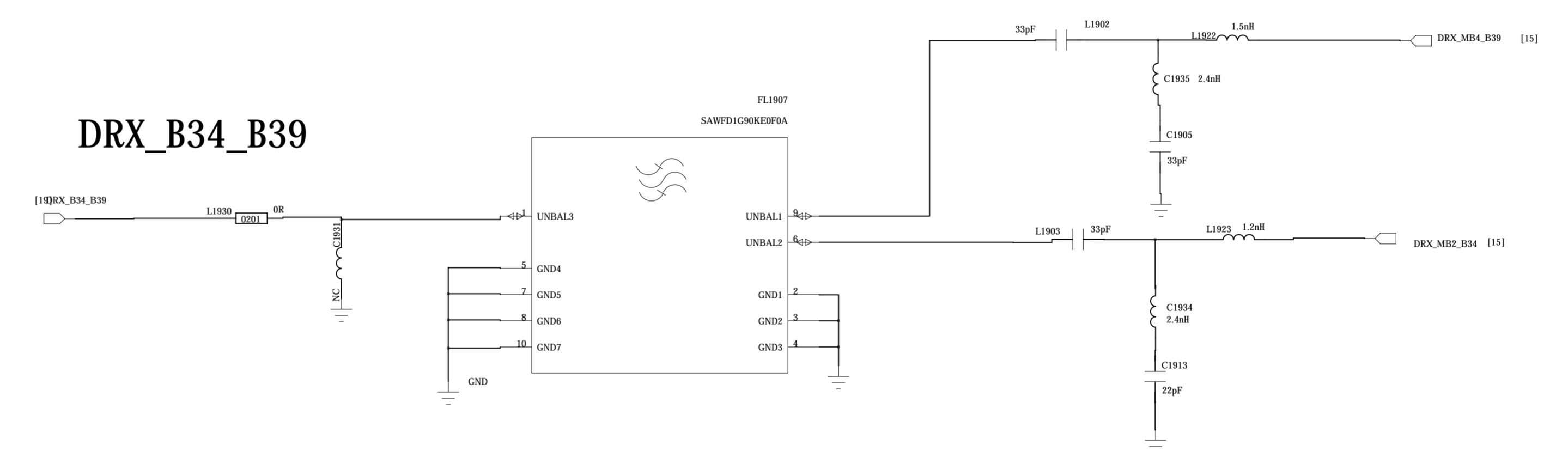
B20_DRX



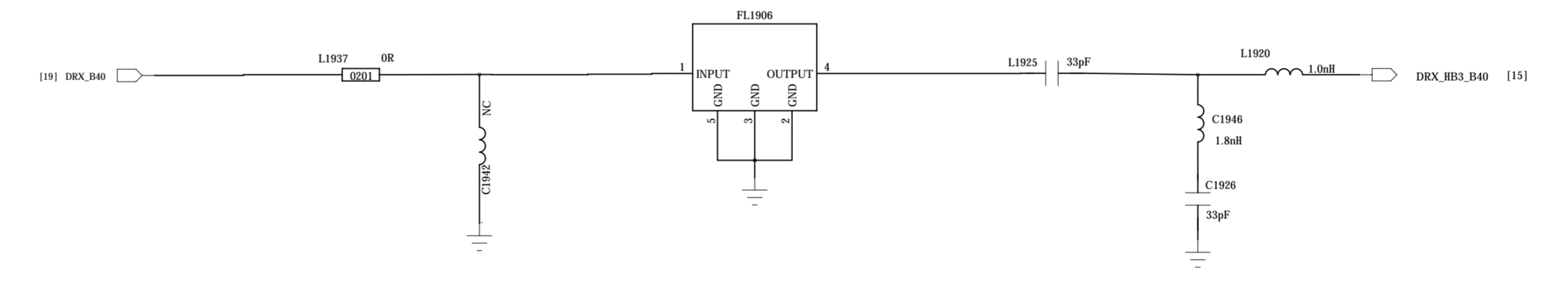
B7_DRX



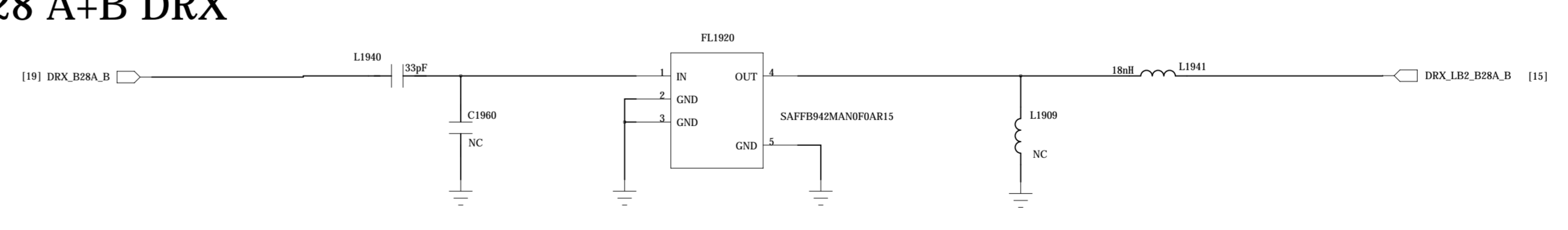
DRX_B34_B39



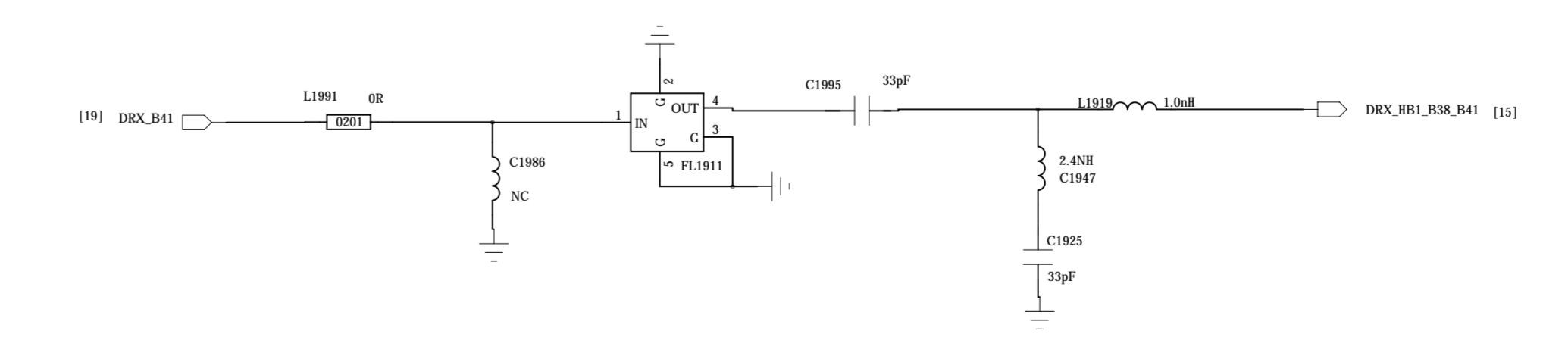
B40_DRX



B28 A+B DRX



DRX_B41_120M



B

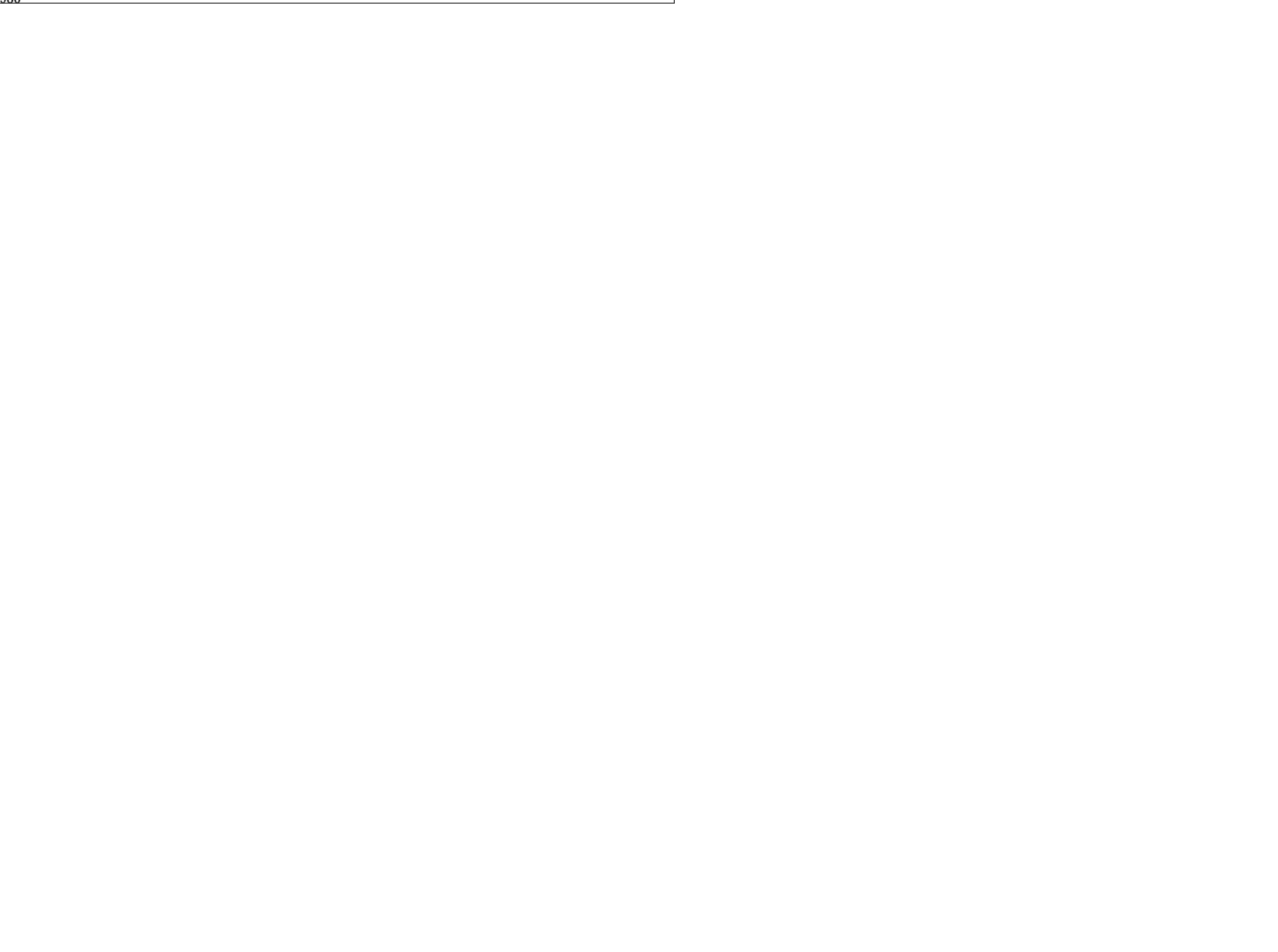
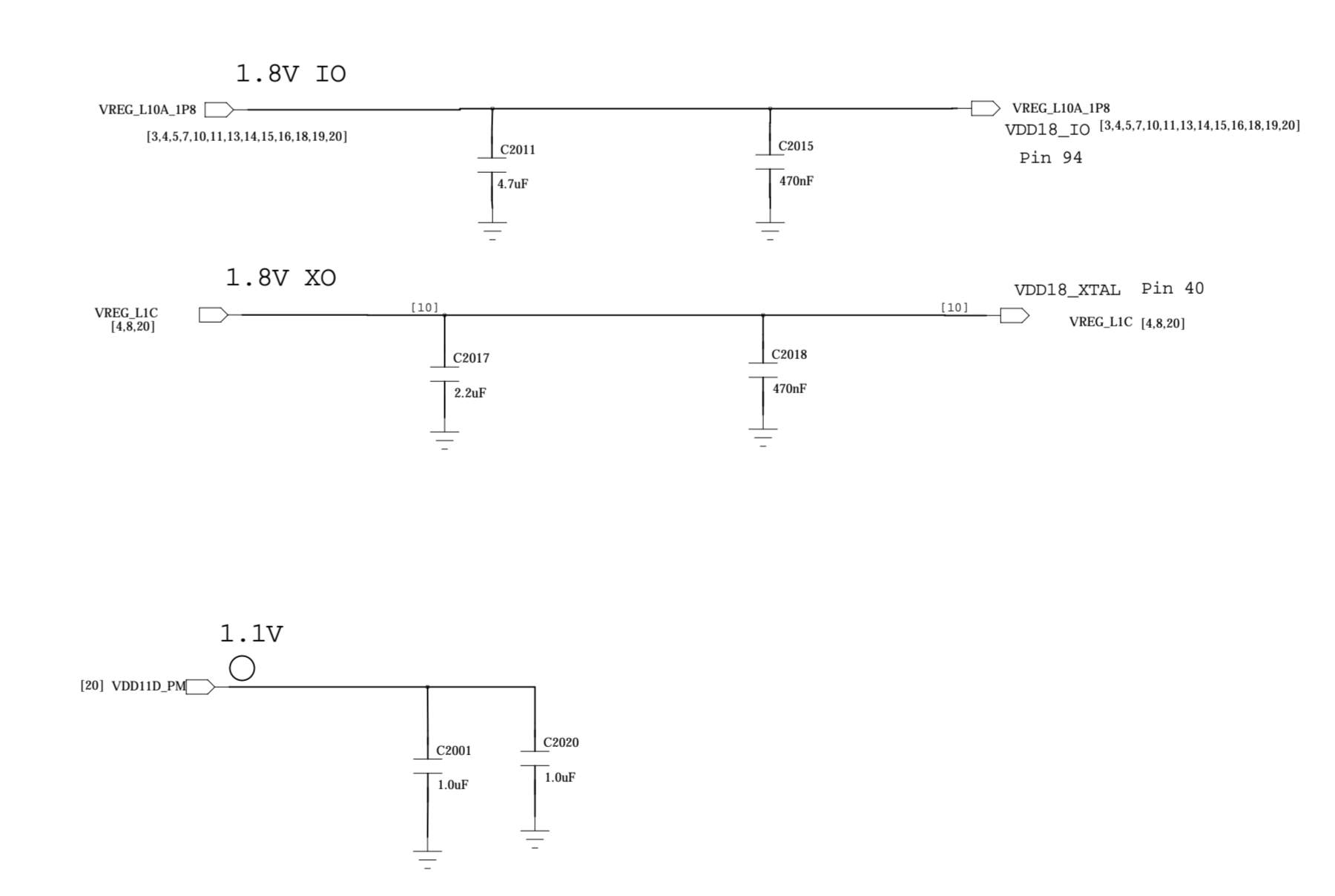
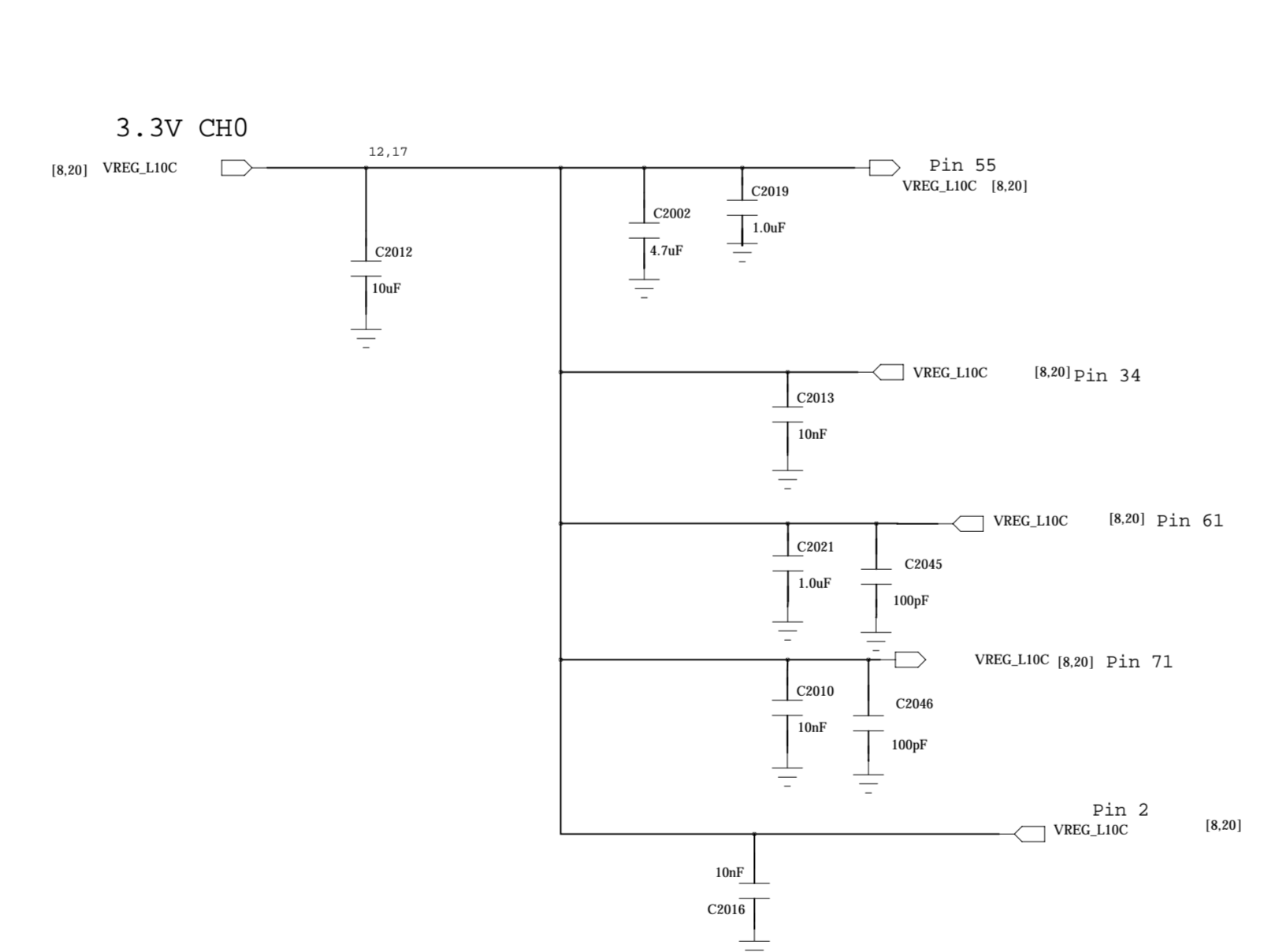
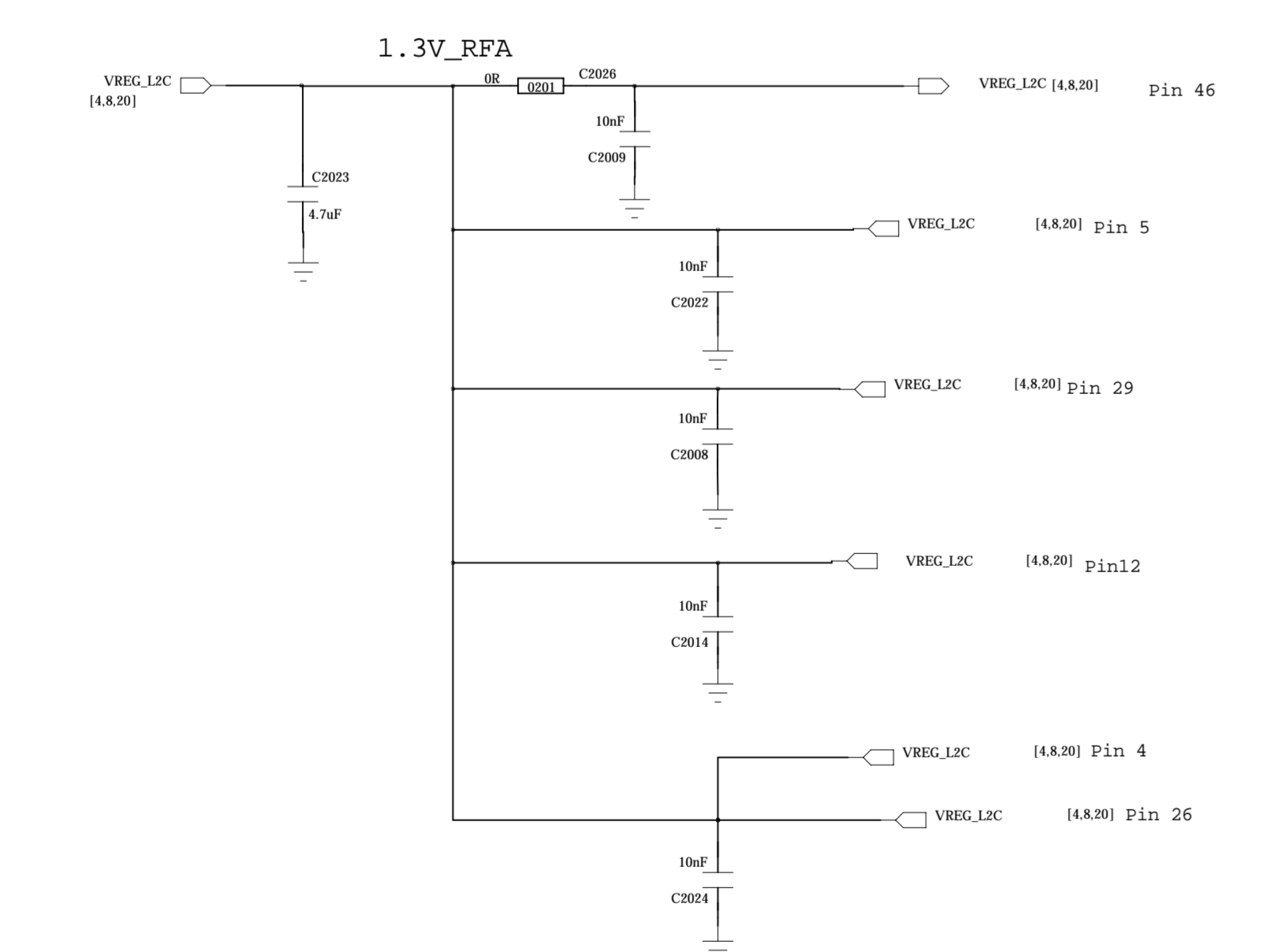
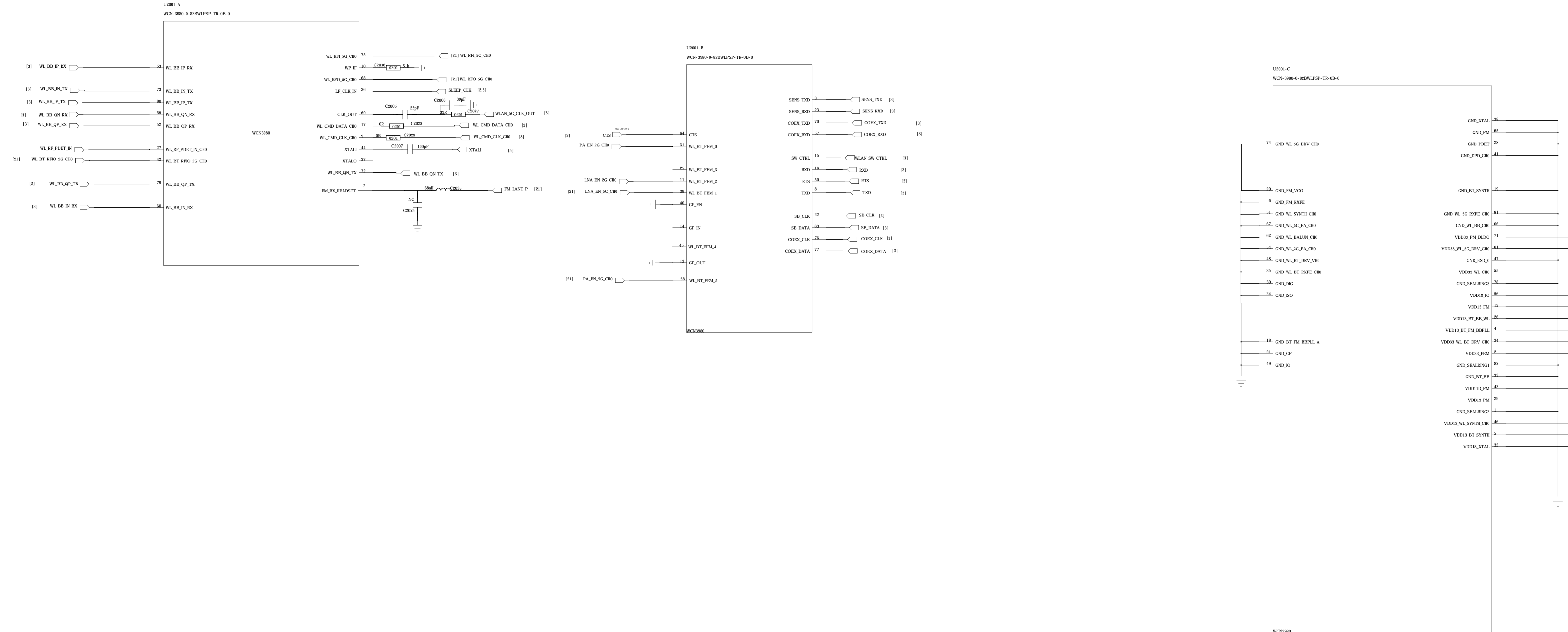
B

A

A

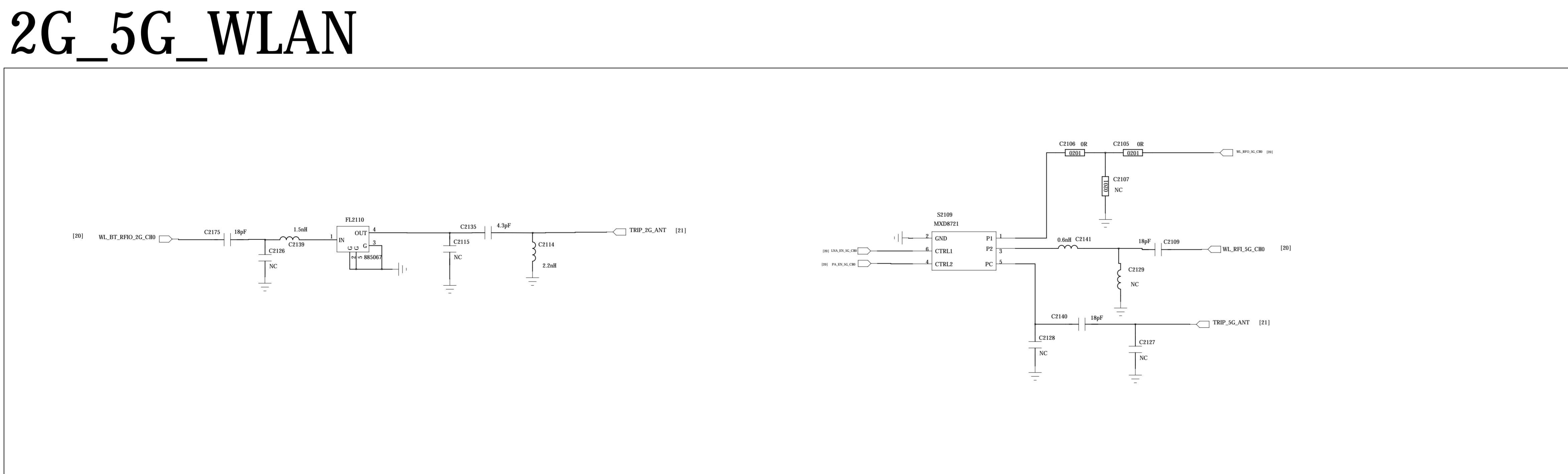
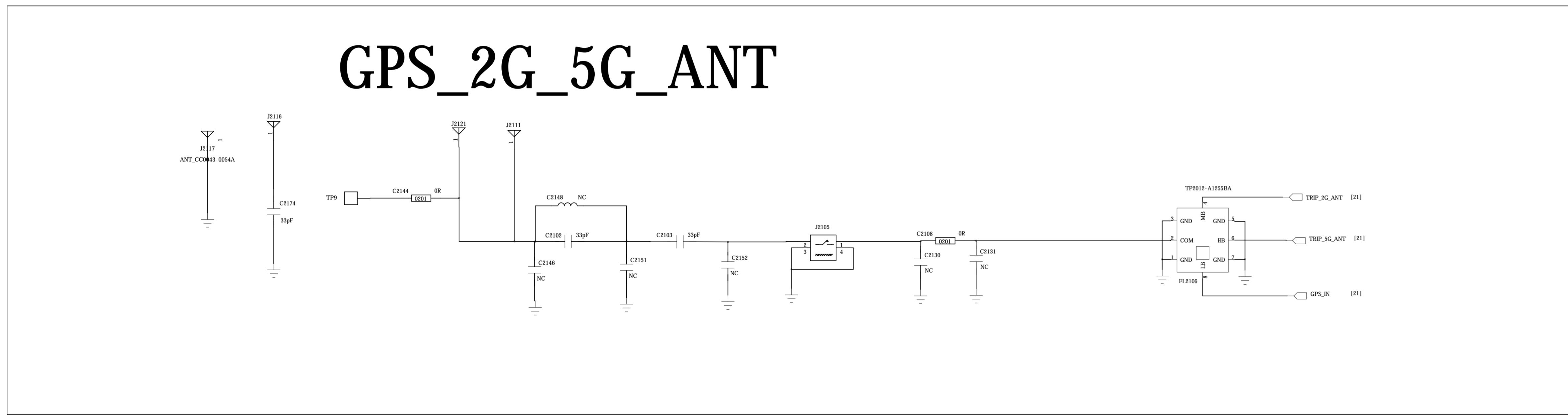
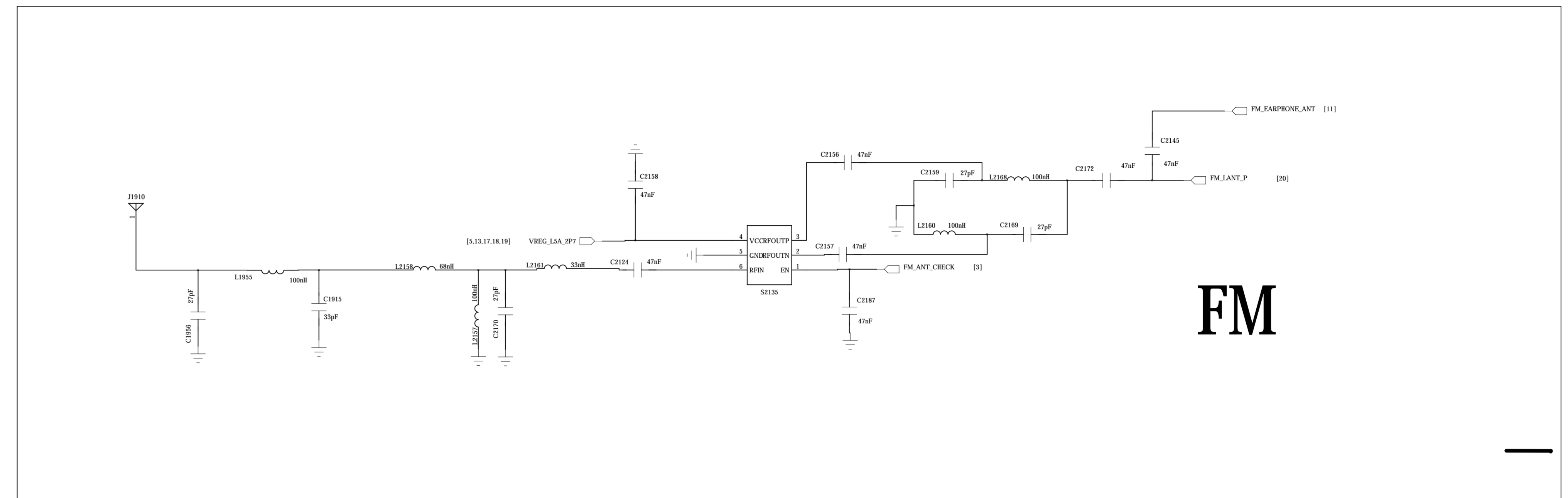
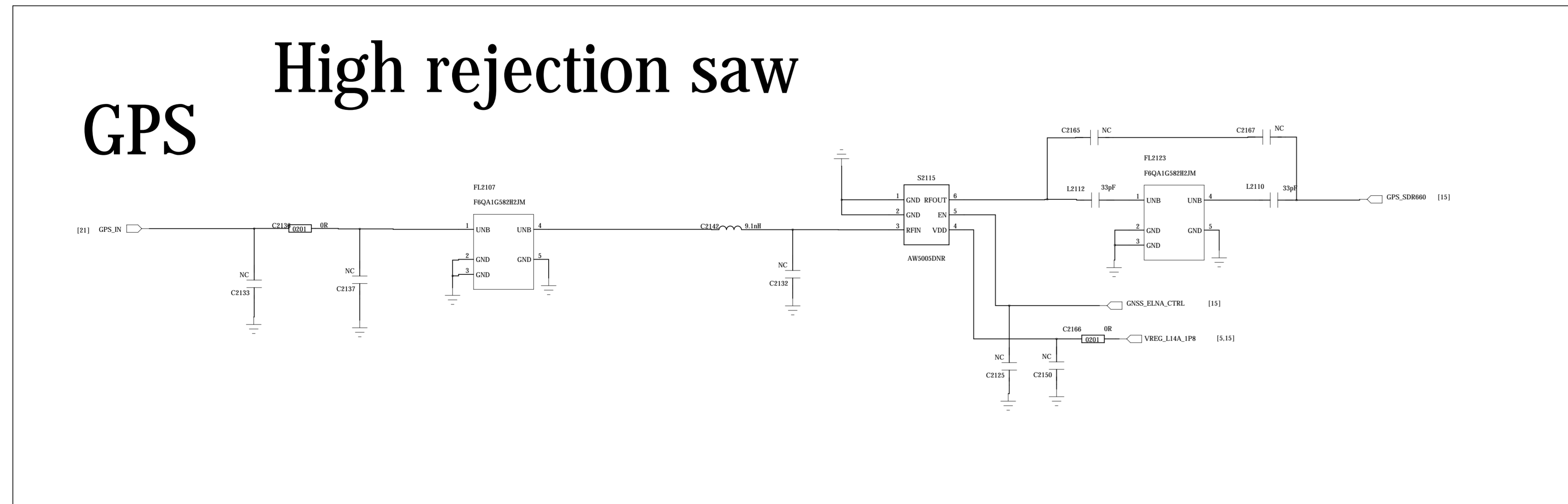
COMPANY: <Company Name>		TITLE: <Title>	
DRAWN: <Drawn By>	DATE: <Drawn Date>	CODE: <Code>	SIZE: A0
CHECKED: <Checked By>	DATE: <Checked Date>	DRAWING NO: <Drawing Number>	
QUALITY CONTROL: <QC By>	DATE: <QC Date>	REVISION: <Revision>	
RELEASED: <Released By>	DATE: <Release Date>	SCALE: <Scale>	SHEET: 19 / 22

REVISION RECORD			
LT#	ECO NO.	APPROVED	DATE



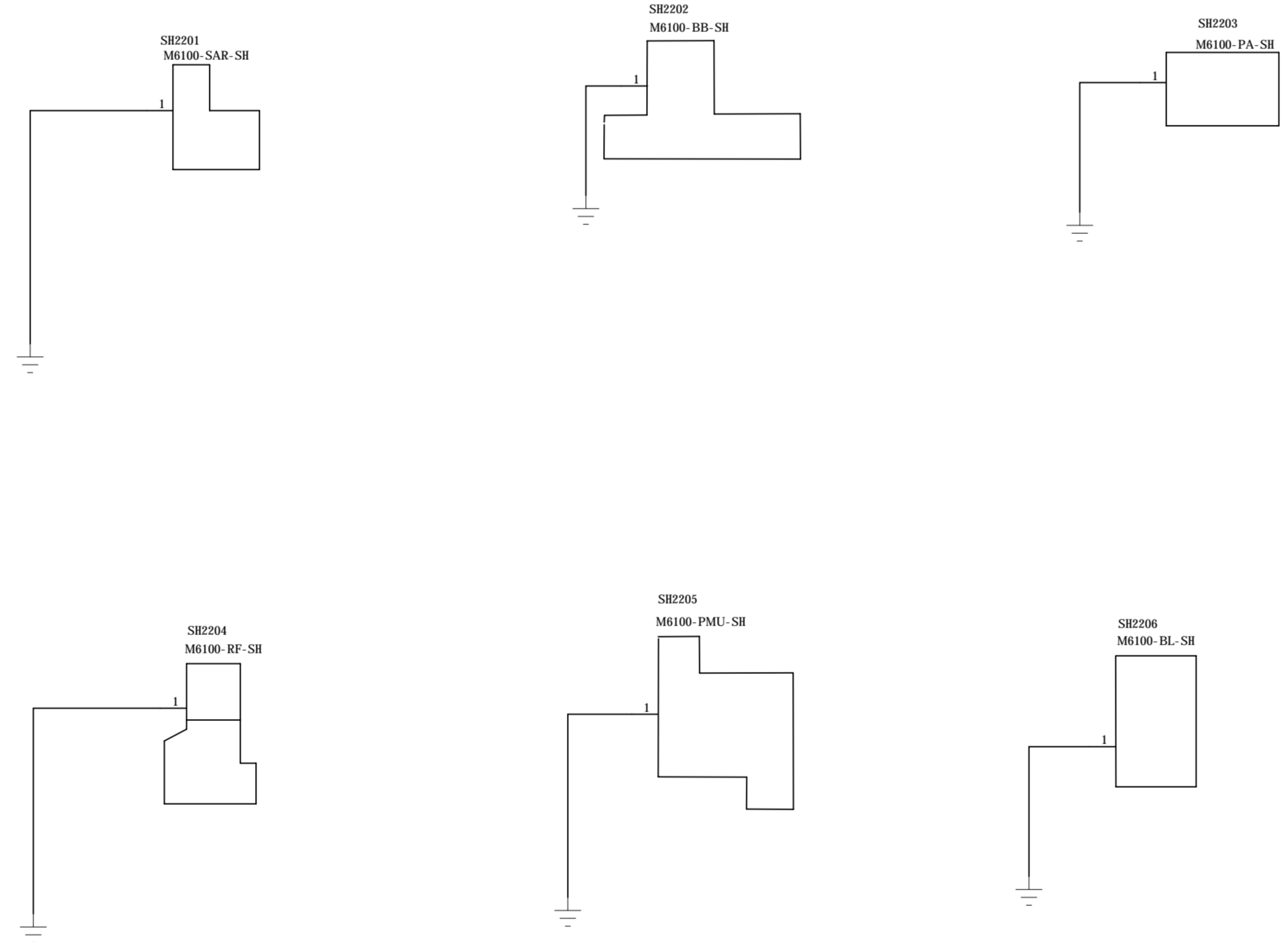
COMPANY		<Company Name>	
TITLE		<Title>	
DRAWN:	<Drawn By>	DATED:	<Drawn Date>
CHECKED:	<Checked By>	ENTERED:	<Checked Date>
QUALITY CONTROL:	<QC By>	DATED:	<QC Date>
RELEASED:	<Released By>	DATED:	<Release Date>
CODE:	<Code>	SIZE:	<Scale>
DRAWING NO.:	A0 <Drawing Number>	REV.:	<Revision>
SHEET		20	22

REVISION RECORD			
LTR	ECD NO.	APPROVED	DATE



DRAWN: <Drawn By>		DATED: <Drawn Date>		COMPANY: <Company Name>	
CHECKED: <Checked By>		DATED: <Checked Date>		TITLE: <Title>	
QUALITY CONTROL: <QC By>		DATED: <QC Date>		CODE: <Code>	SIZE: A0
RELEASED: <Released By>		DATED: <Release Date>		DRAWING NO: <Drawing Number> Revision: <Revision>	
SCALE: <Scale>				SHEET: 24 / 22	

REVISION RECORD			
LT#	ECO NO.	APPROVED	DATE



VIETMOBILE.VN

DRAWN: <Drawn By>		DATE: <Drawn Date>		COMPANY: <Company Name>	
CHECKED: <Checked By>		DATE: <Checked Date>		TITLE: <Title>	
QUALITY CONTROL: <QC By>		DATE: <QC Date>		CODE: <Code>	SIZE: A0
RELEASED: <Released By>		DATE: <Release Date>		DRAWING NO: <Drawing Number> Revision: <Revision>	
SCALE: <Scale>				SHEET 22 22	