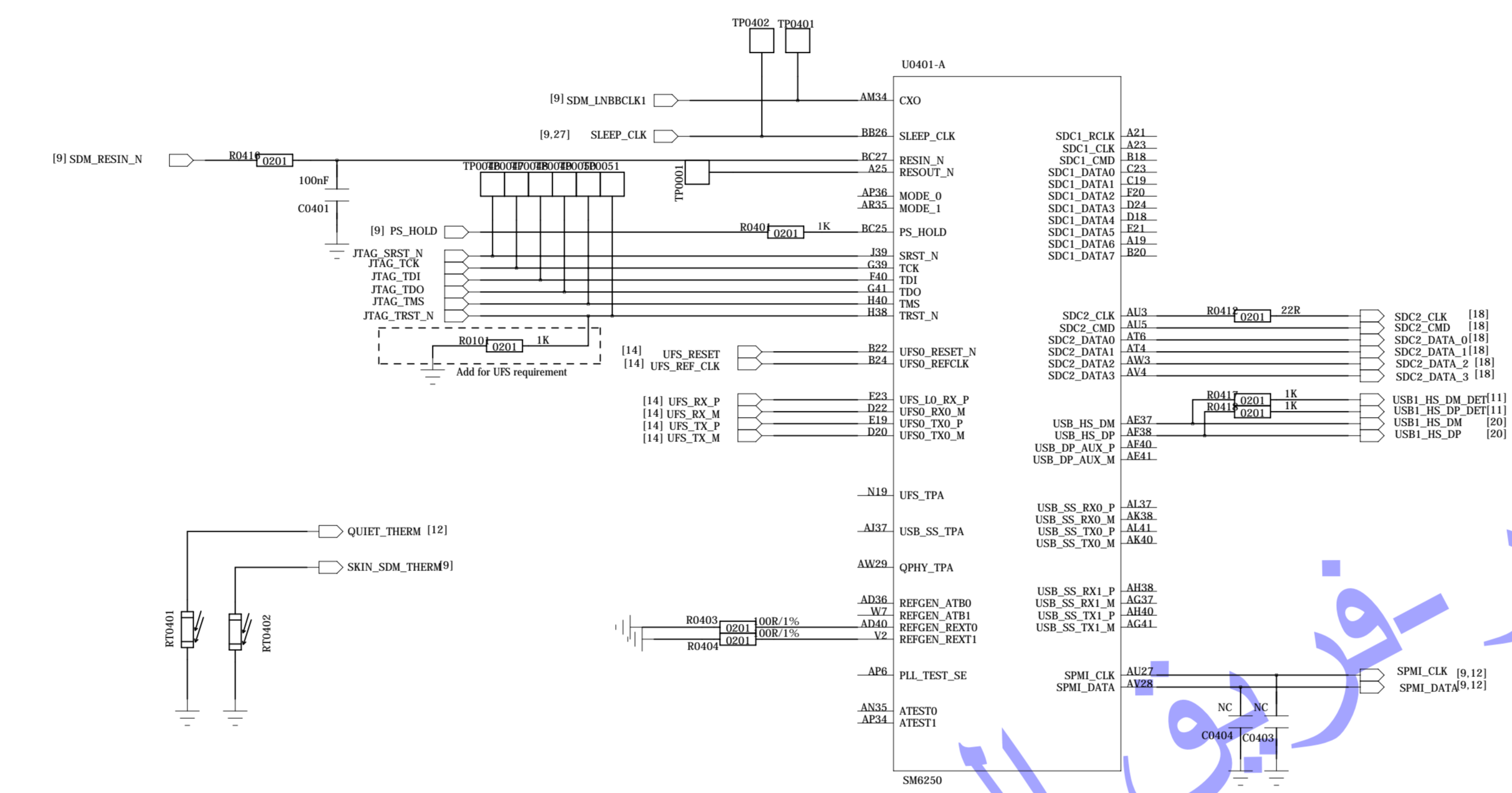


REVISION RECORD			
LR	REV NO.	APPROVED	DATE



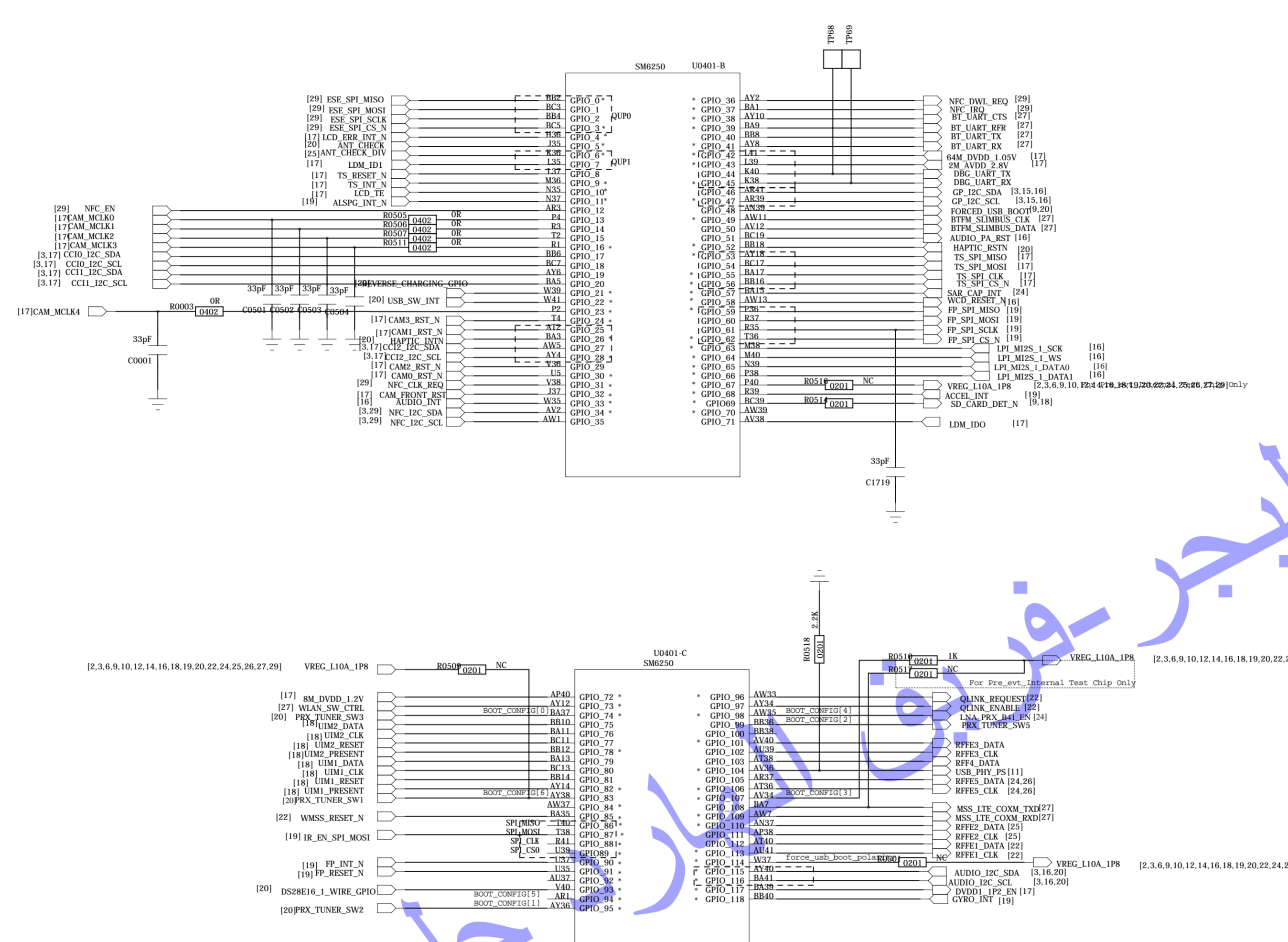
علي البجر فريف الهارد طب نك

DRAWN: <Drawn By>		DATED: <Drawn Date>		CODE		SIZE	DRAWING NO.	REV.
CHECKED: <Checked By>		DATED: <Checked Date>		CODE		SIZE	DRAWING NO.	REV.
QUALITY CONTROL: <QC By>		DATED: <QC Date>		CODE		SIZE	DRAWING NO.	REV.
RELEASED: <Released By>		DATED: <Release Date>		SCALE: <Scale>		SHEET: 1 of 30		

COMPANY: <Company Name>
TITLE: <Title>

<Code> A0<Drawing Number>Revision

REVISION RECORD			
LR	ECO NO	APPROVED	DATE

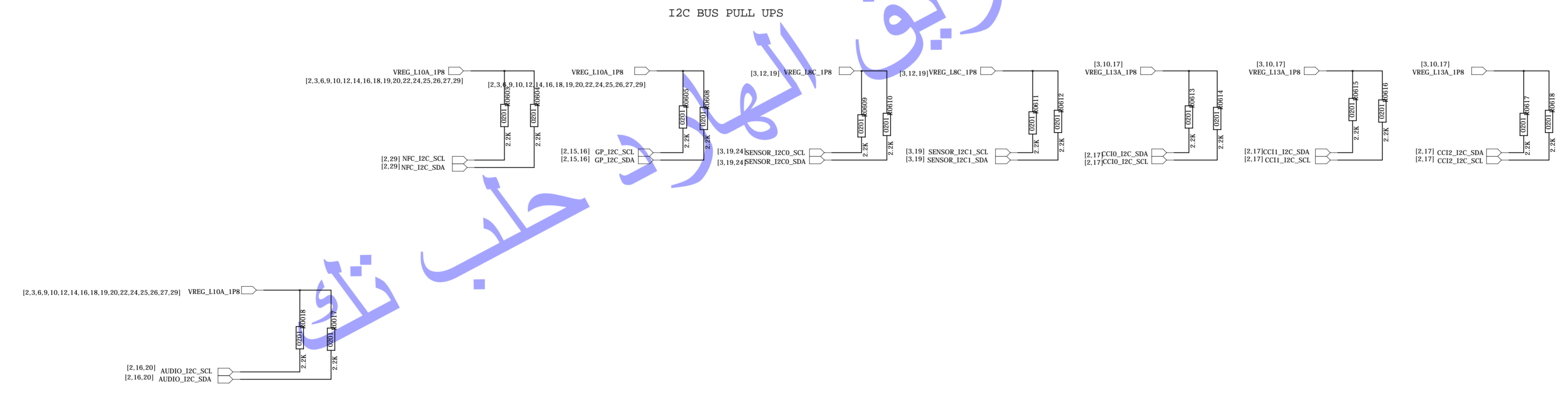
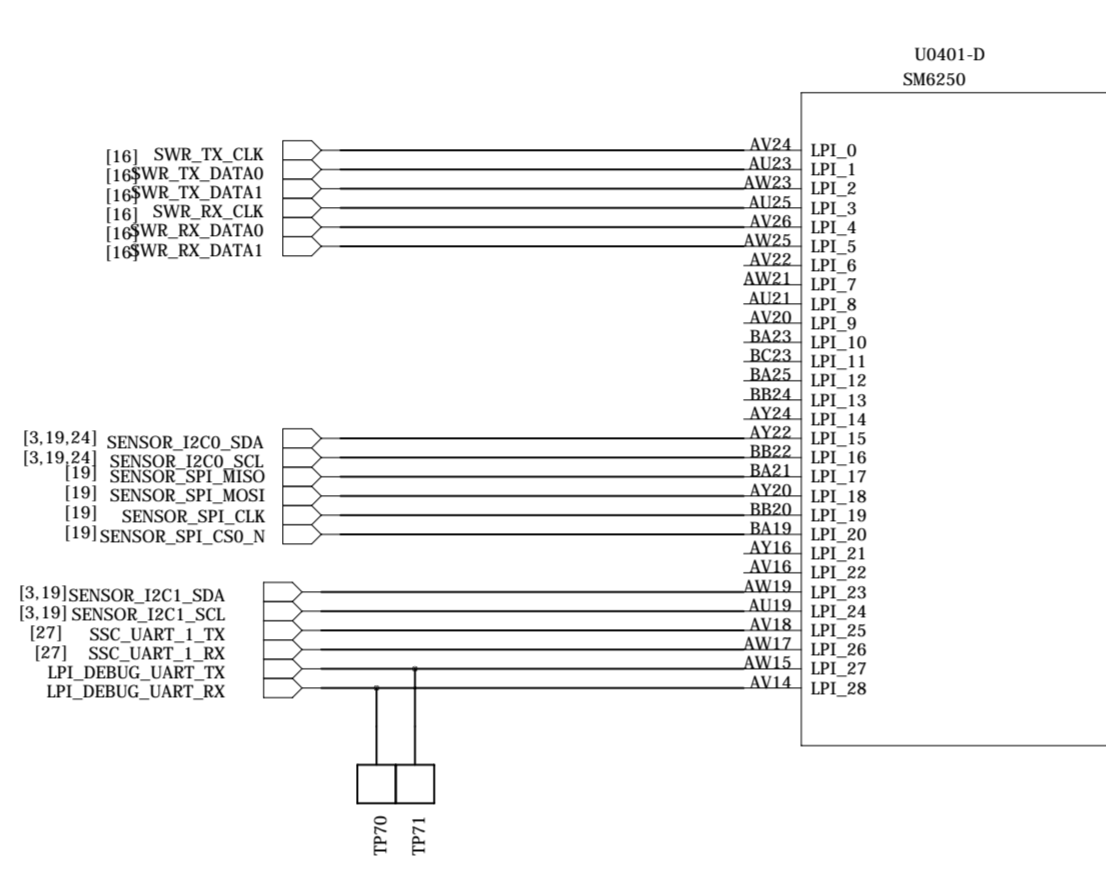


علي البجر فور انك

حطب نك

DRAWN		DATE		COMPANY	
<Drawn By>		<Drawn Date>		<Company Name>	
CHECKED		DATE		TITLE	
<Checked By>		<Checked Date>		<Title>	
QUALITY CONTROL	DATE	CODE	SIZE	DRAWING NO	REV
<QC By>	<QC Date>	<Code>	A0	<Drawing Number>	<Revision>
RELEASED	DATE	SCALE		SHEET 2x 30	
<Released By>	<Release Date>				

REVISION REQUIRED			
ITM	ECO NO	APPROVED	DATE



علي البجر فريق المهندسين
حطاب نظام

DRAWN		DATE		COMPANY	
<Drawn By>	<Drawn Date>	<Company Name>		TITLE	
CHECKED		DATE		DRAWING NO.	
<Checked By>	<Checked Date>	CODE	SIZE	<Code>	A0<Drawing NumberRevision>
QUALITY CONTROL		DATE		SCALE	
<QC By>	<QC Date>	<Scale>		SHEET 3 of 30	
RELEASED		DATE		SCALE	
<Released By>	<Release Date>	<Scale>		SHEET 3 of 30	

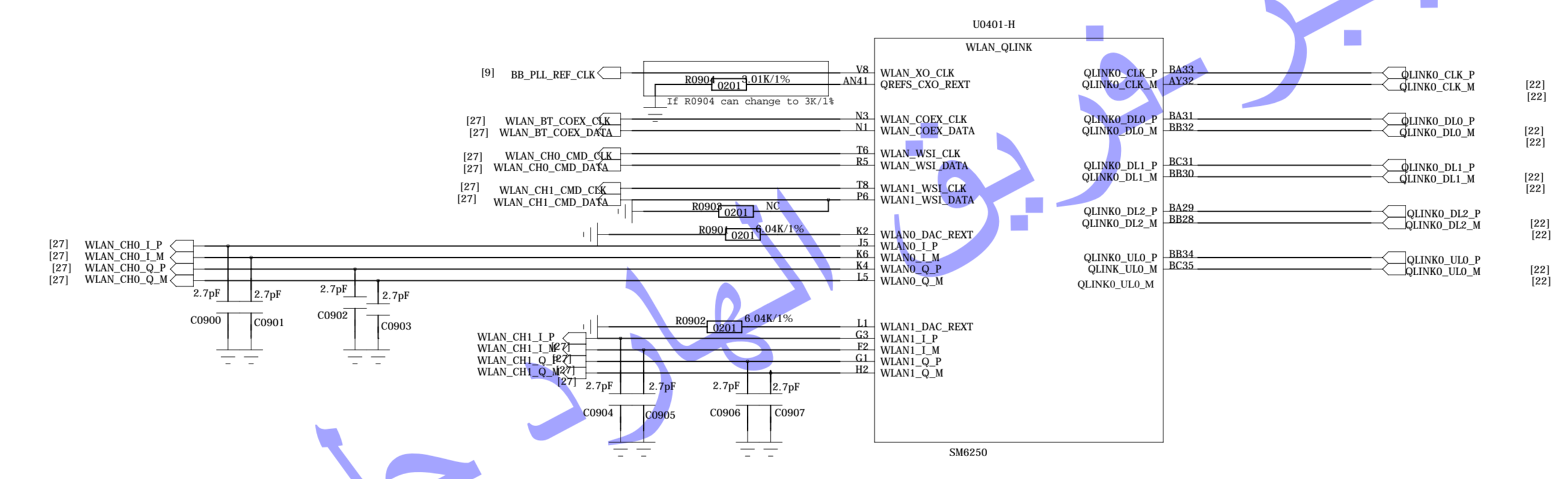
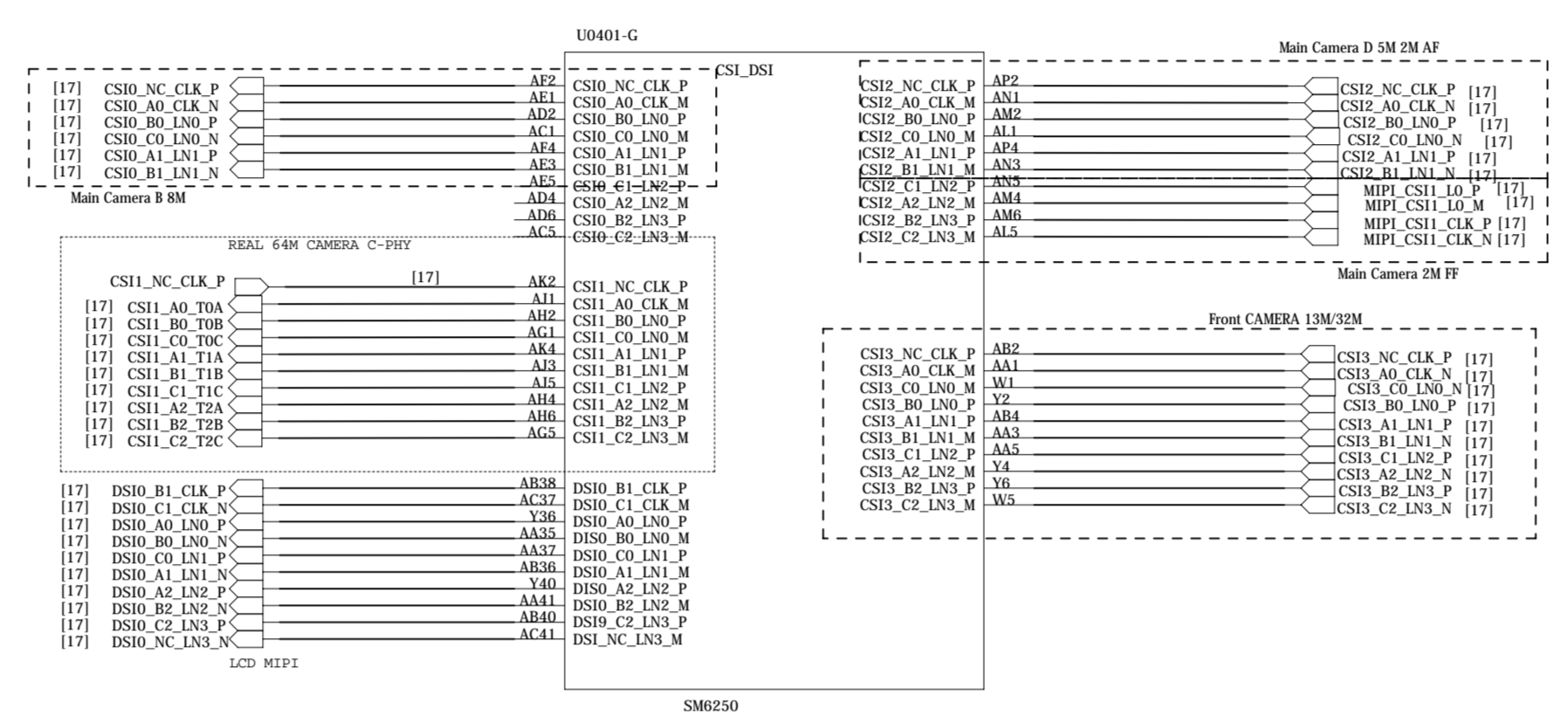
REVISION RECORD			
LR	ECO NO.	APPROVED	DATE



لايجر فريف الهارد طب نك

DRAWN: <Drawn By>		DATED: <Drawn Date>		COMPANY: <Company Name>	
CHECKED: <Checked By>		DATED: <Checked Date>		TITLE: <Title>	
QUALITY CONTROL: <QC By>		DATED: <QC Date>		CODE: <Code>	SIZE: A0
RELEASED: <Released By>		DATED: <Release Date>		SCALE: <Scale>	DRAWING NO. <Drawing Number>
				REV: <Revision>	SHEET: 4 of 30

REVISION RECORD			
REV	ECO NO.	APPROVED	DATE



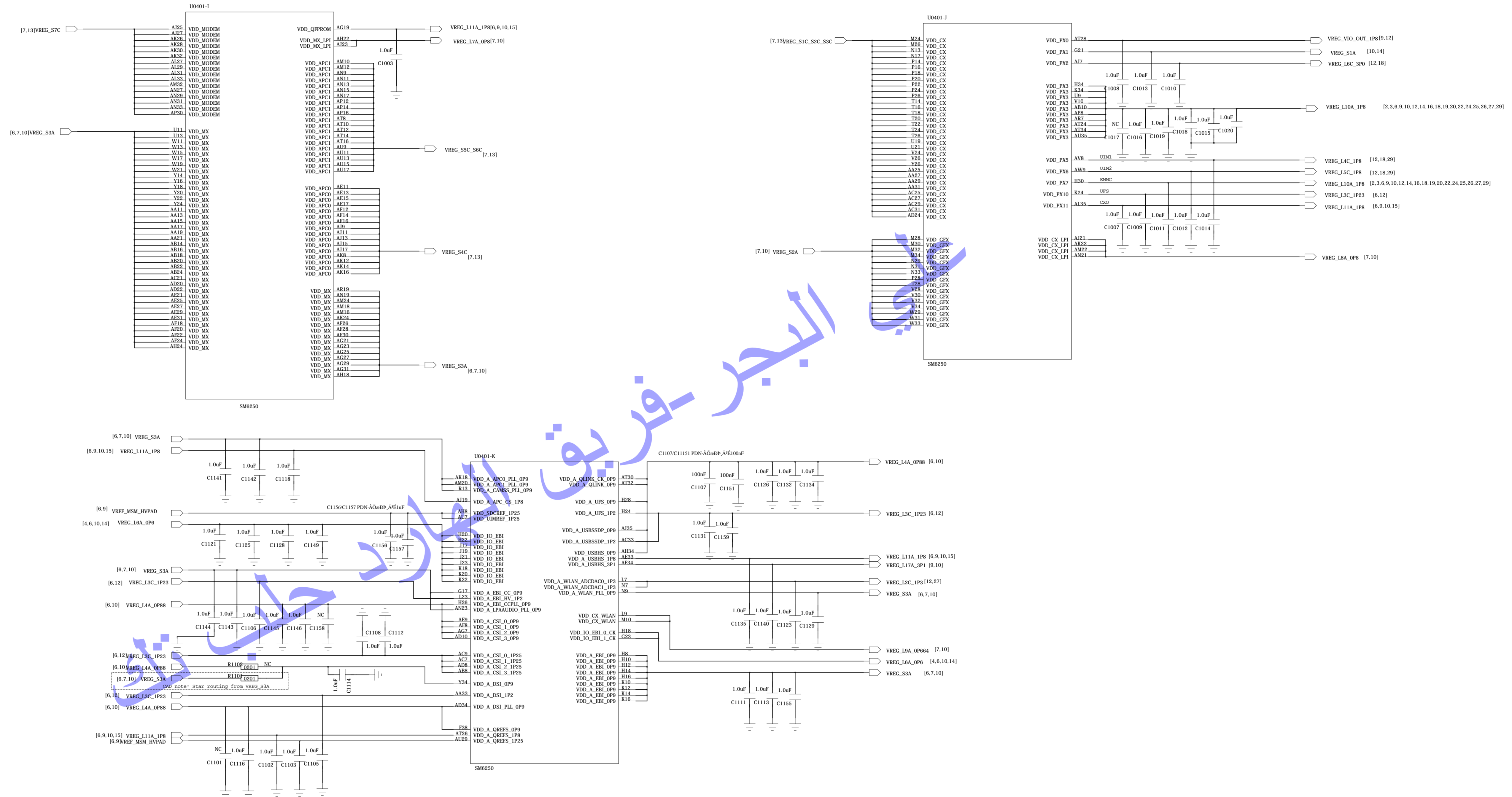
علي البحري
عبدالمجيد حبيب نوك

COMPANY: <Company Name>

TITLE: <Title>

DRAWN	DATE	CHECKED	DATE	QUALITY CONTROL	DATE	RELEASED	DATE	SCALE	DRAWING NO.	REV.
<Drawn By>	<Drawn Date>	<Checked By>	<Checked Date>	<QC By>	<QC Date>	<Released By>	<Release Date>	<Scale>	A0<Drawing Number>	<Revision>

REVISION RECORD			
REV	ECO NO	APPROVED	DATE



البحر فريف

البحر فريف

DRAWN: <Drawn By>		DATE: <Drawn Date>		COMPANY: <Company Name>	
CHECKED: <Checked By>		DATE: <Checked Date>		TITLE: <Title>	
QUANTITY CONTROL:	DATE: <QC Date>	CODE:	SIZE:	DRAWING NO:	REV:
RELEASED: <Released By>	DATE: <Release Date>	SCALE: <Scale>		SHEET: 6x 30	

<Code> A0- Drawing Number Revision

REVISION RECORD			
LR	ECO NO.	APPROVED	DATE



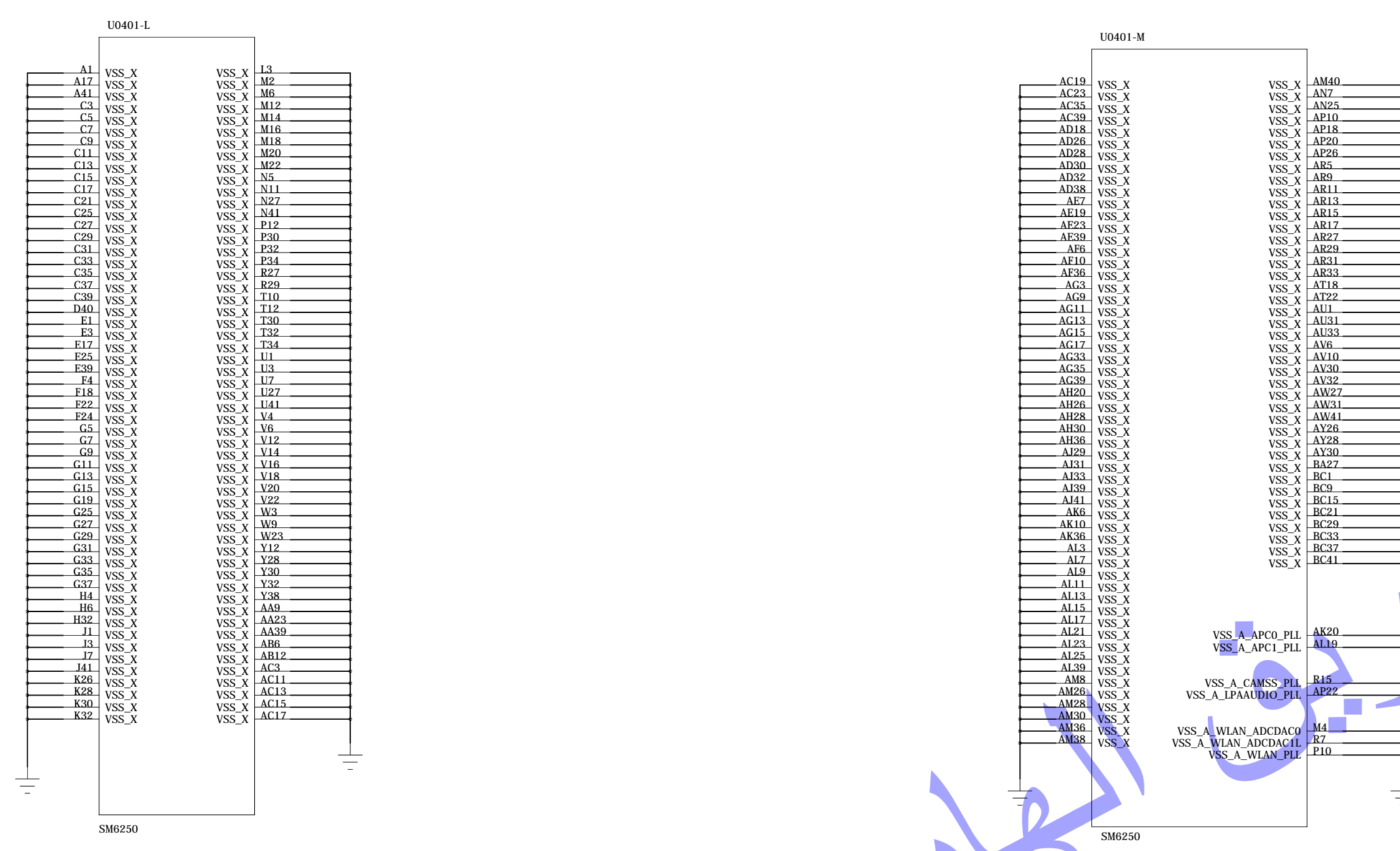
علي الجبر فريف الماركتا

COMPANY: <Company Name>

TITLE: <Title>

DRAWN: <Drawn By>	DATE: <Drawn Date>	CODE	SIZE	DRAWING NO.	REV.
CHECKED: <Checked By>	DATE: <Checked Date>				
QUALITY CONTROL: <QC By>	DATE: <QC Date>	<Code>	A0	Drawing Number	Revision
RELEASED: <Released By>	DATE: <Release Date>	SCALE: <Scale>	SHEET: 7 of 30		

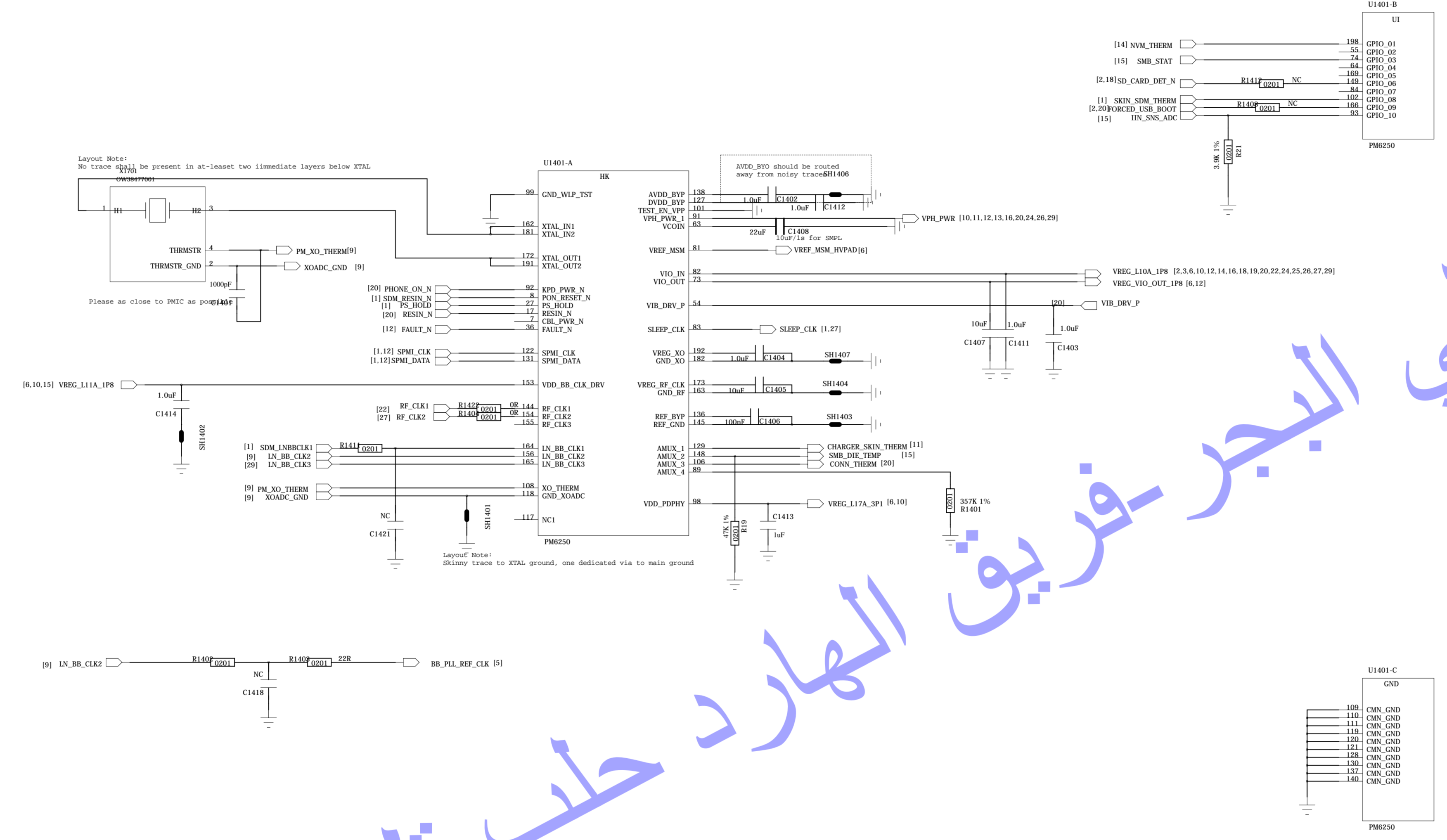
REVISION RECORD			
LT#	REV. NO.	APPROVED	DATE



علي البجر فريخ النهار د حطب نك

DRAWN: <Drawn By>		DATE: <Drawn Date>		COMPANY: <Company Name>			
CHECKED: <Checked By>		DATE: <Checked Date>		TITLE: <Title>			
QUALITY CONTROL: <QC By>		DATE: <QC Date>		CODE:	SIZE:	DRAWING NO.:	REV:
RELEASED: <Released By>		DATE: <Release Date>		SCALE: <Scale>		A0<Drawing Number>Revision	
						SHEET	8 of 30

REVISION RECORD			
REV	REV NO.	APPROVED	DATE



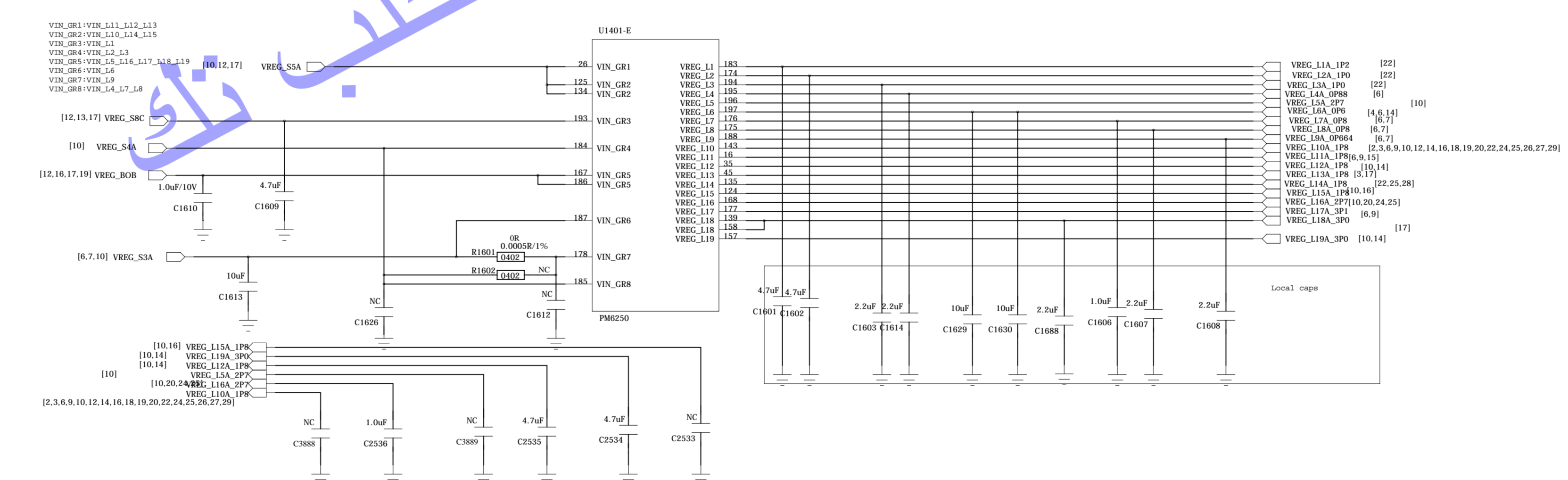
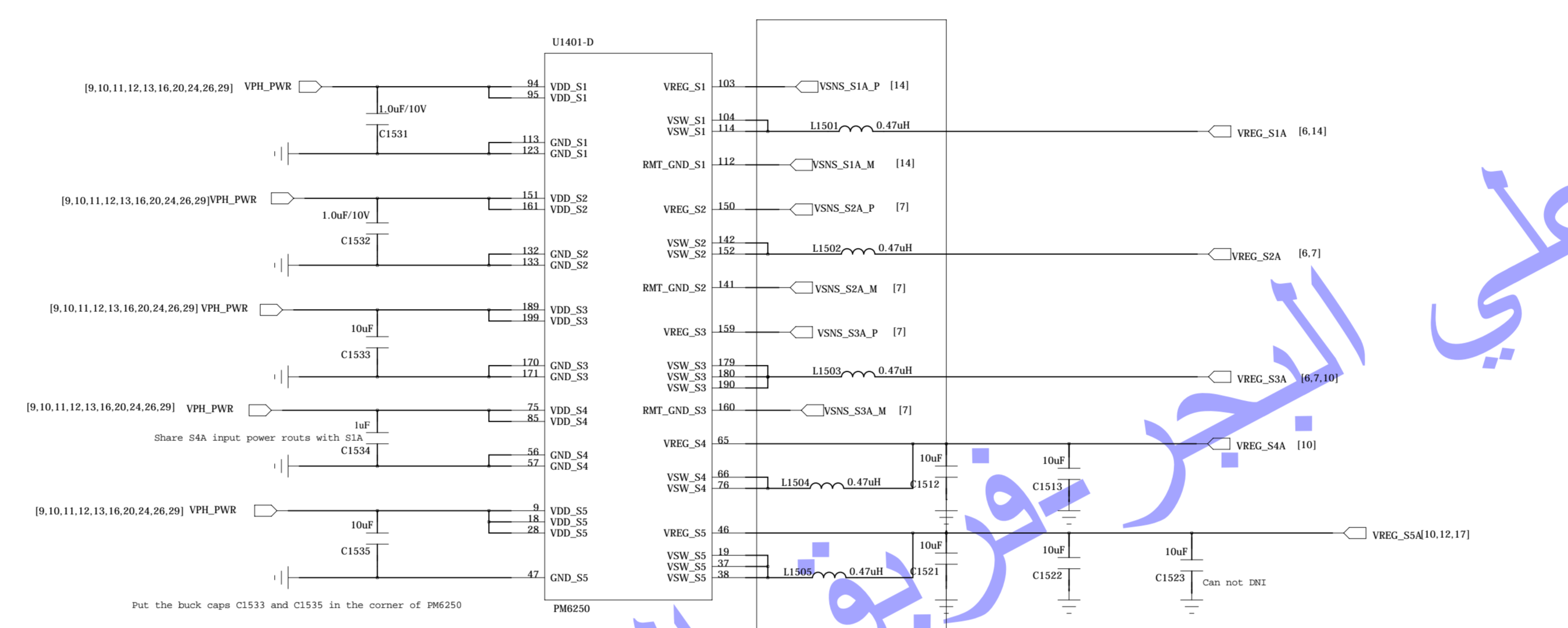
علي البجر فريف الهارد طب نك

COMPANY: <Company Name>

TITLE: <Title>

DRAWN: <Drawn By>	DATE: <Drawn Date>	CODE: <Code>	SIZE: A0	DRAWING NO: <Drawing Number>	REV: <Revision>
CHECKED: <Checked By>	DATE: <Checked Date>				
QUALITY CONTROL: <QC By>	DATE: <QC Date>				
RELEASED: <Released By>	DATE: <Release Date>	SCALE: <Scale>			

REVISION RECORD			
LTB	ECO No.	APPROVED	DATE



Pseudo symbols allow users to place the LDO output capacitor physically/electrically far from the LDO output, near the load. The routing R55, R56 between the PMIC pin and the remote cap should meet the designer LDO specs. All PMIC LDOs are considered pseudo-coupled unless it has internal PMIC load. If an internal PMIC load, the output cap must be placed close to the PMIC. Required capacitance for each LDO type can be found in app note PMIC07531-12.

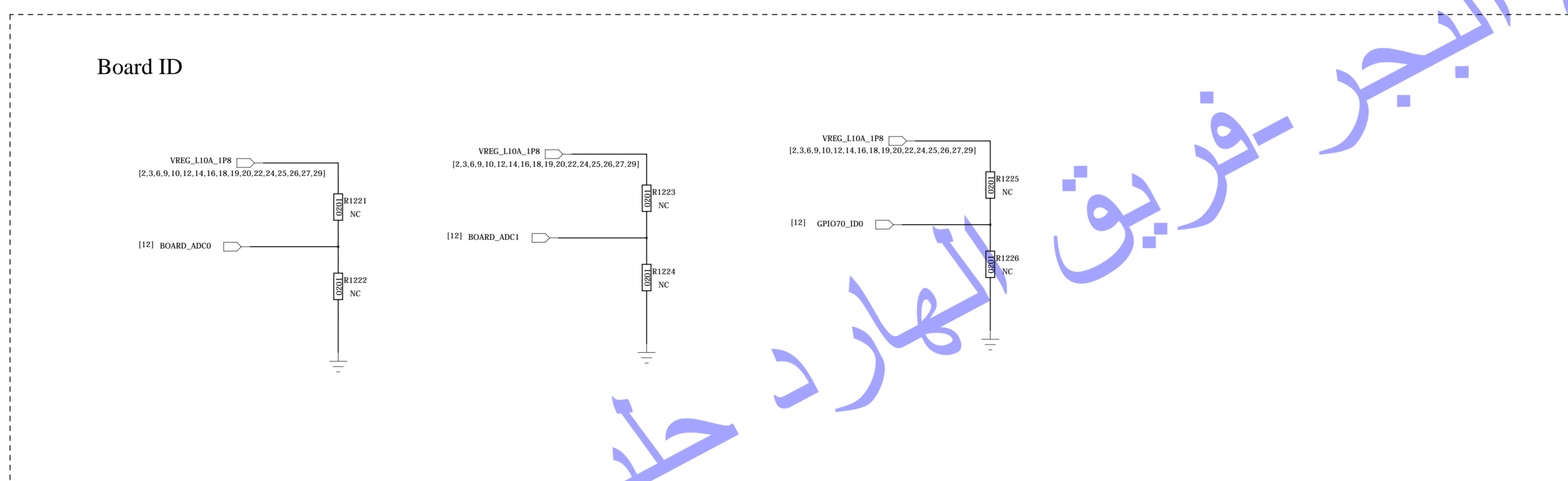
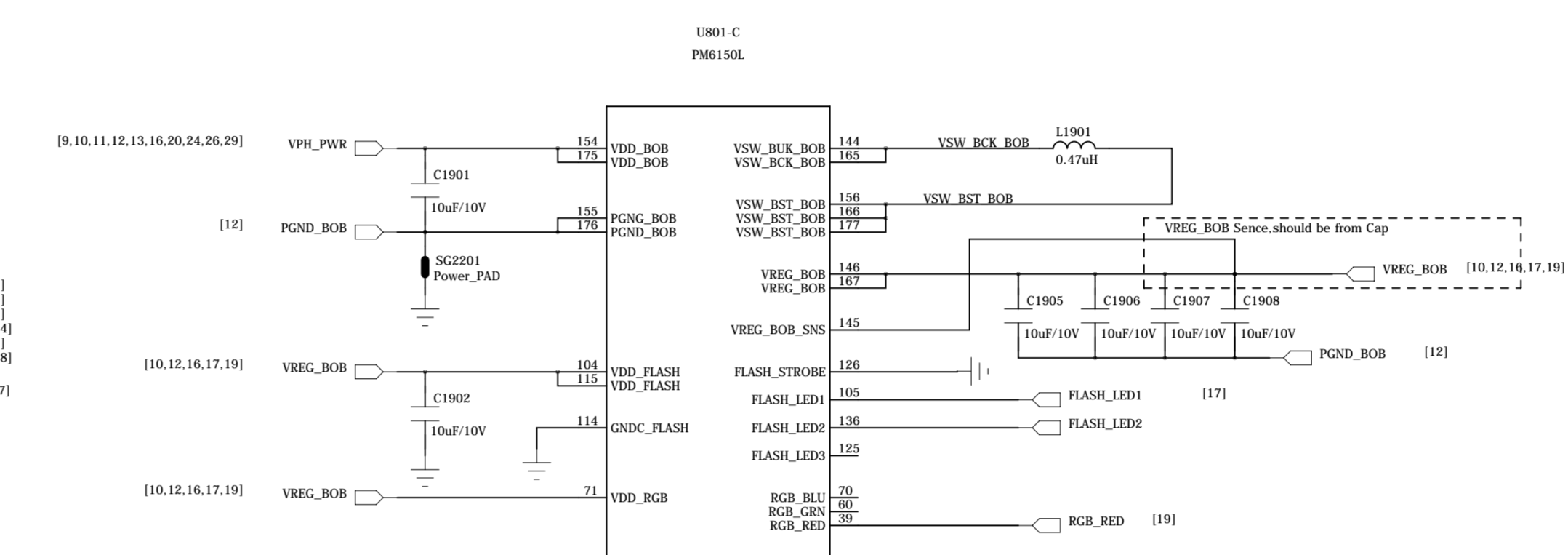
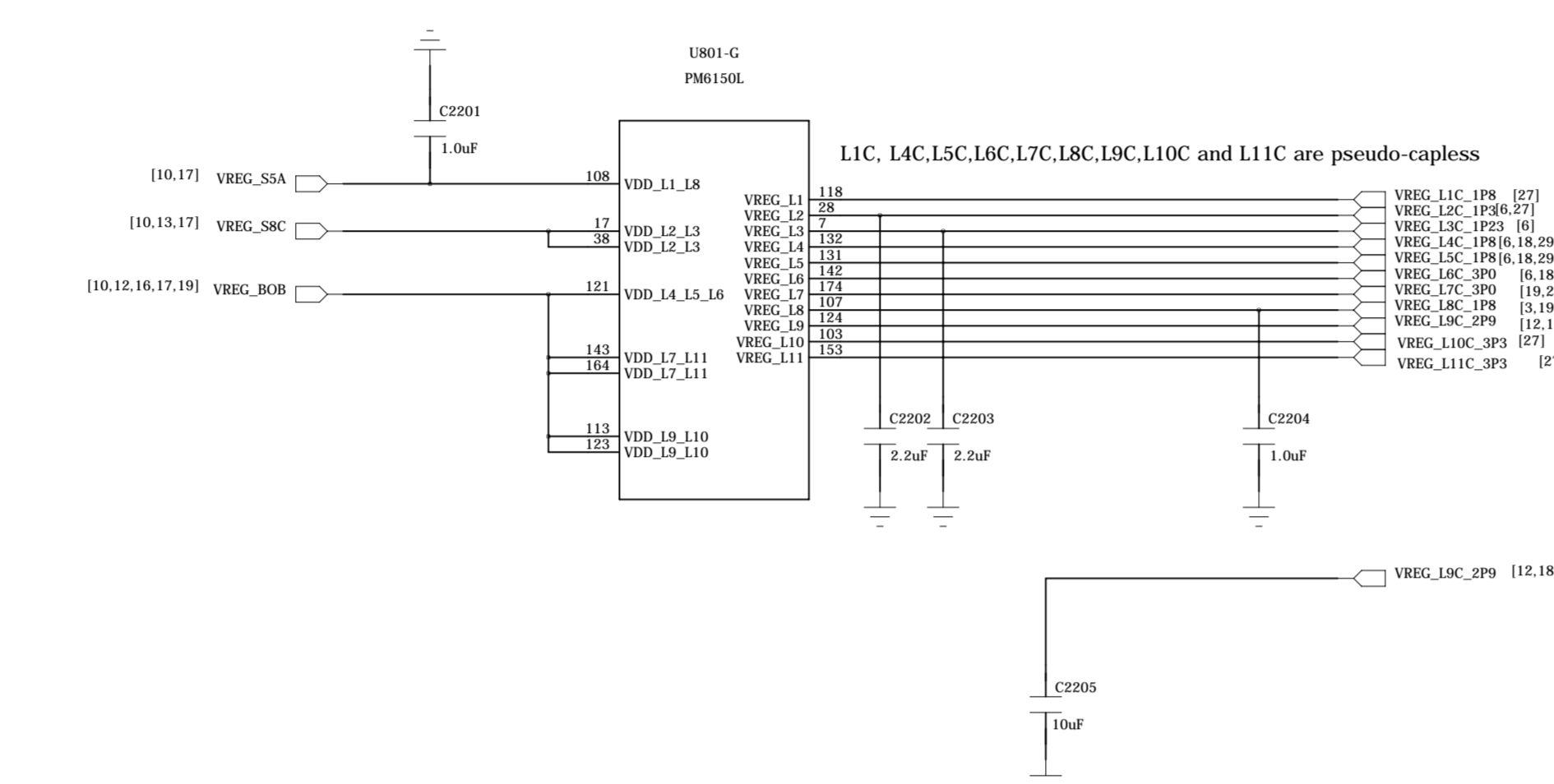
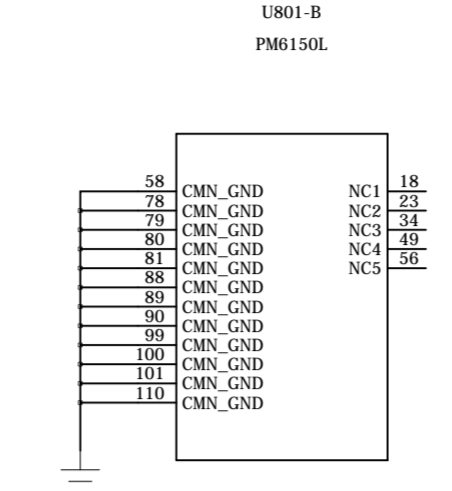
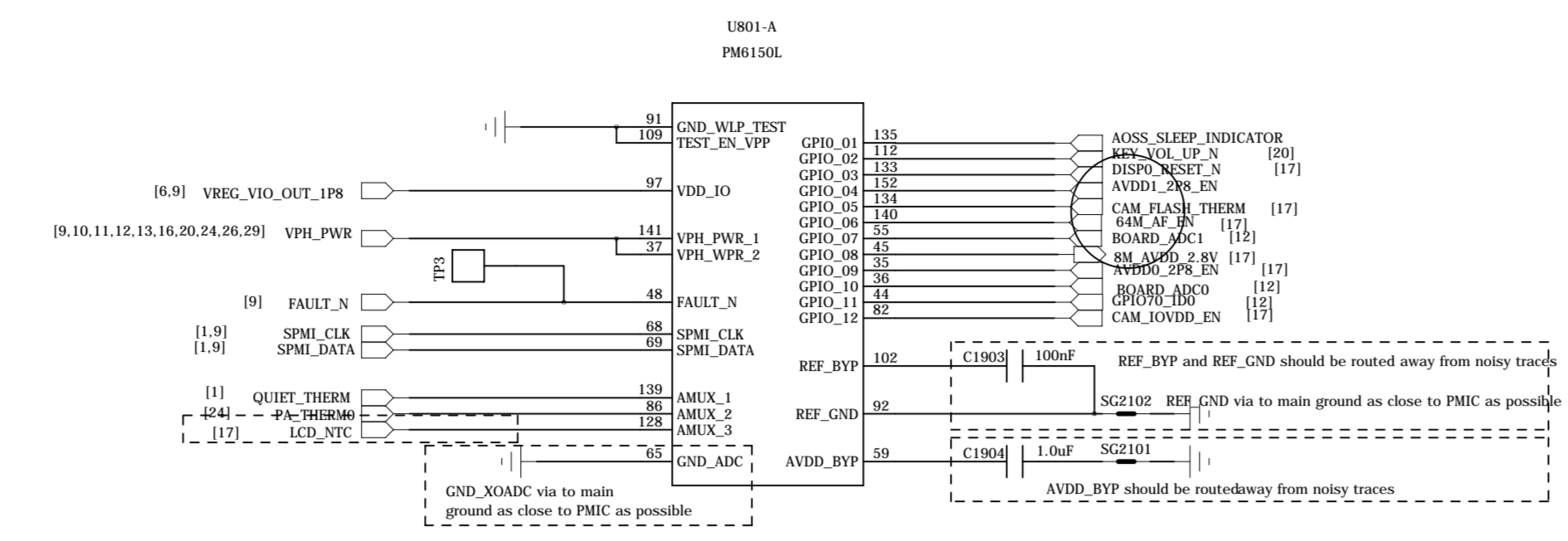
علي البجر
مفتوح الهارد
طبيب نطق

COMPANY: <Company Name>

TITLE: <Title>

DRAWN: <Drawn By>	DATED: <Drawn Date>	CODE	SIZE	DRAWING NO.	REV
CHECKED: <Checked By>	DATED: <Checked Date>	< Code >	A0	Drawing Number	Revision
QUALITY CONTROL: <QC By>	DATED: <QC Date>				
RELEASED: <Released By>	DATED: <Release Date>	SCALE: <Scale>	SHEET 10 30		

REVISION RECORD			
REV	ECO NO.	APPROVED	DATE



علي البجر فريف الهارد طب نك

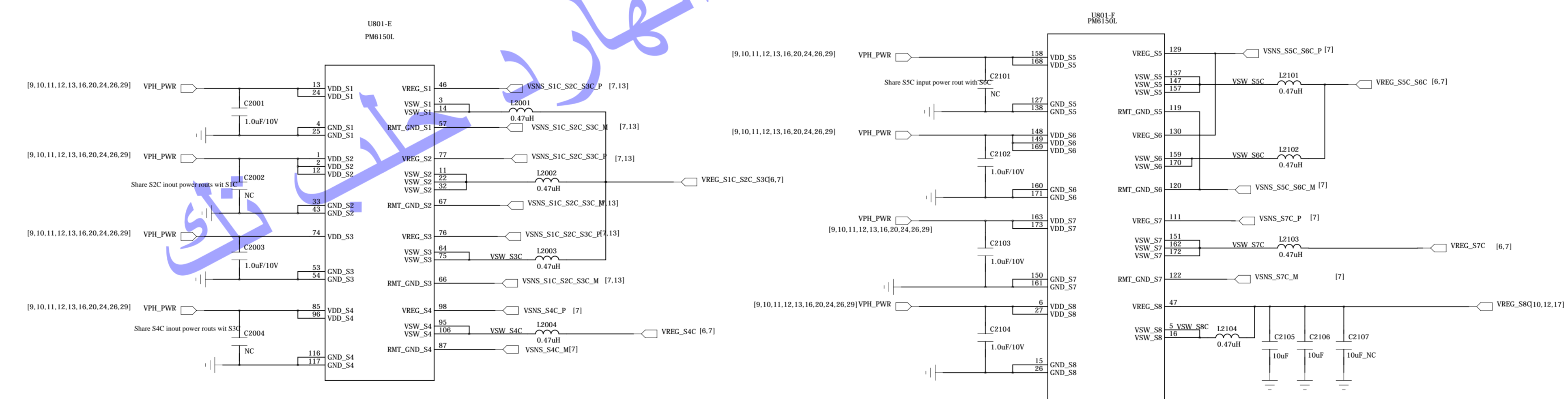
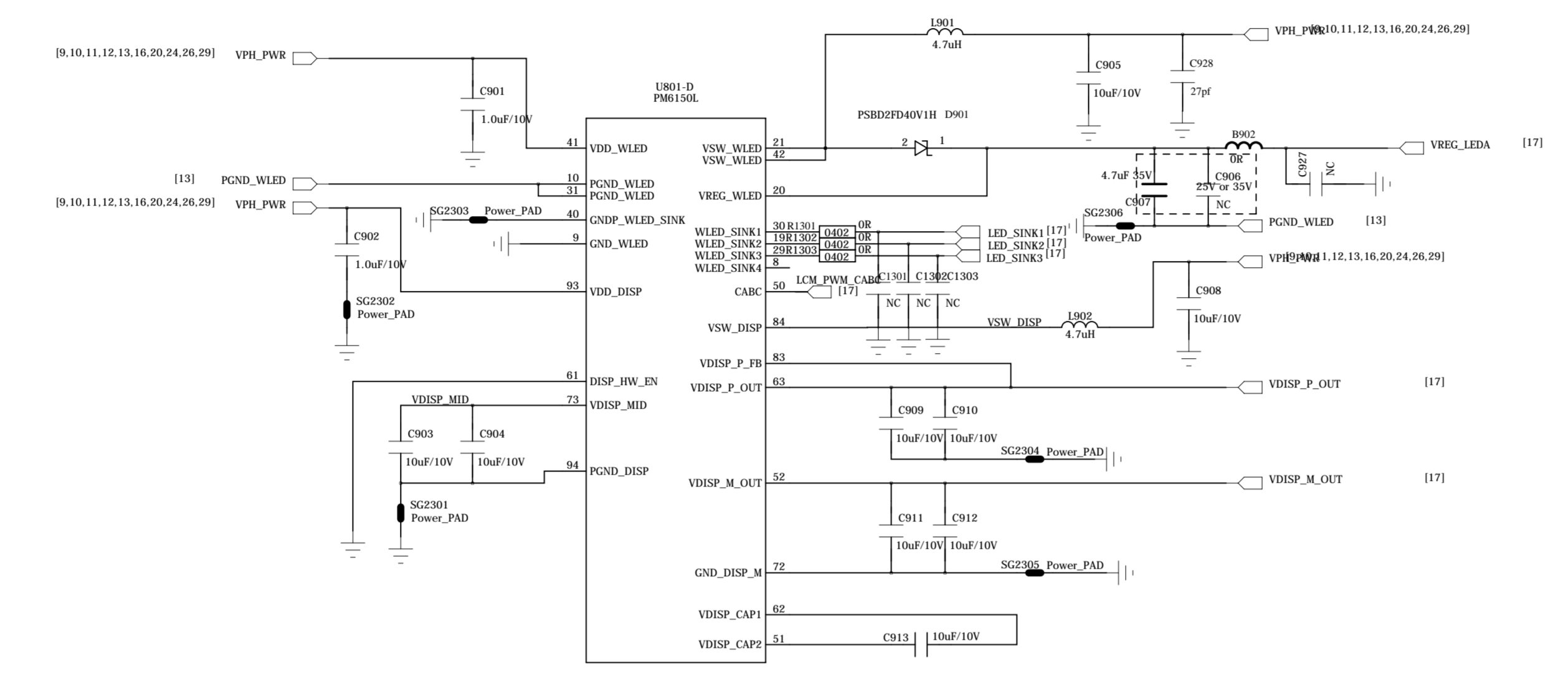
COMPANY: <Company Name>

TITLE: <Title>

DRAWN: <Drawn By>	DATE: <Drawn Date>	CODE:	SIZE:	DRAWING NO:	REV:
CHECKED: <Checked By>	DATE: <Checked Date>				
QUALITY CONTROL: <QC By>	DATE: <QC Date>				
RELEASED: <Released By>	DATE: <Release Date>	SCALE: <Scale>			

<Code> A0<Drawing Number>Revision

REVISION RECORD			
REV	ECO NO.	APPROVED	DATE



علي البجر فريق الهارد واري

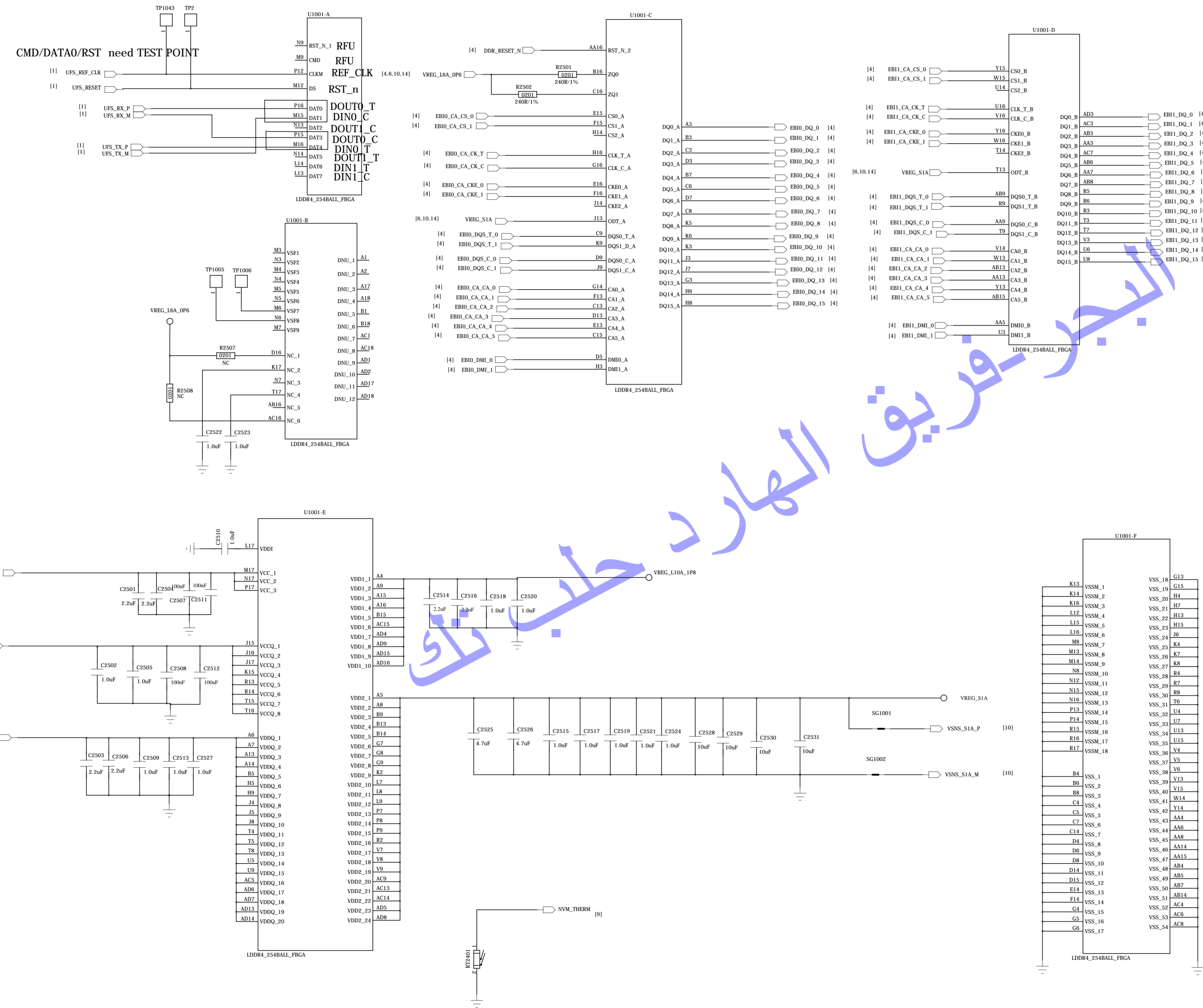
COMPANY: <Company Name>

TITLE: <Title>

DESIGN	DRAWN	DATE	CODE	SIZE	DRAWING NO.	REV.
<Drawn By>	<Drawn Date>					
<Checked By>	<Checked Date>					
QUALITY CONTROL	DATE					
<QC By>	<QC Date>					
RELEASED	DATE					
<Released By>	<Release Date>					

SCALE: <Scale> SHEET: 18 30

REVISION RECORD			
LTB	ECO NO	APPROVED	DATE



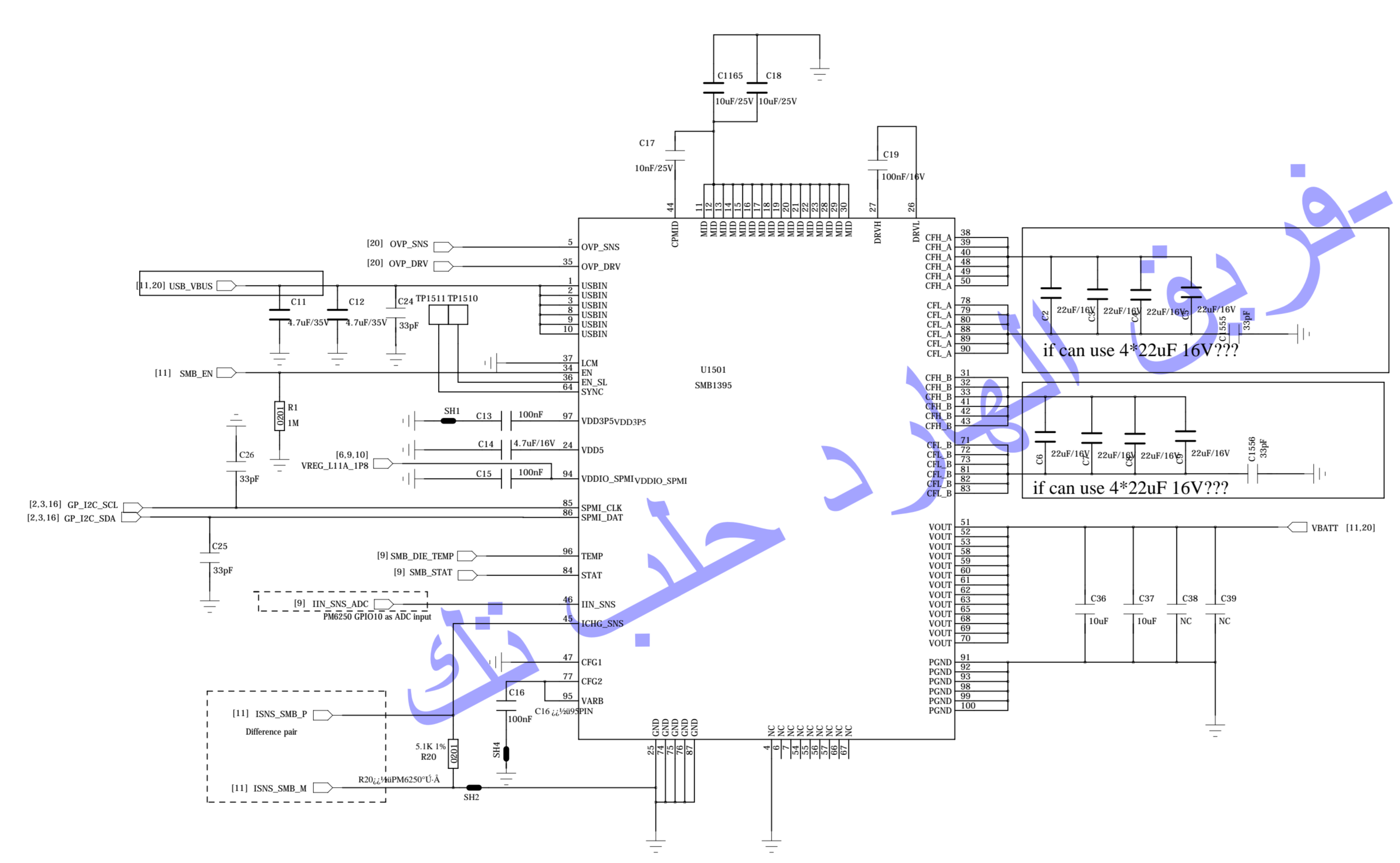
علي الجبور فريق الهارد طلب تظ

COMPANY: <Company Name>

TITLE: <Title>

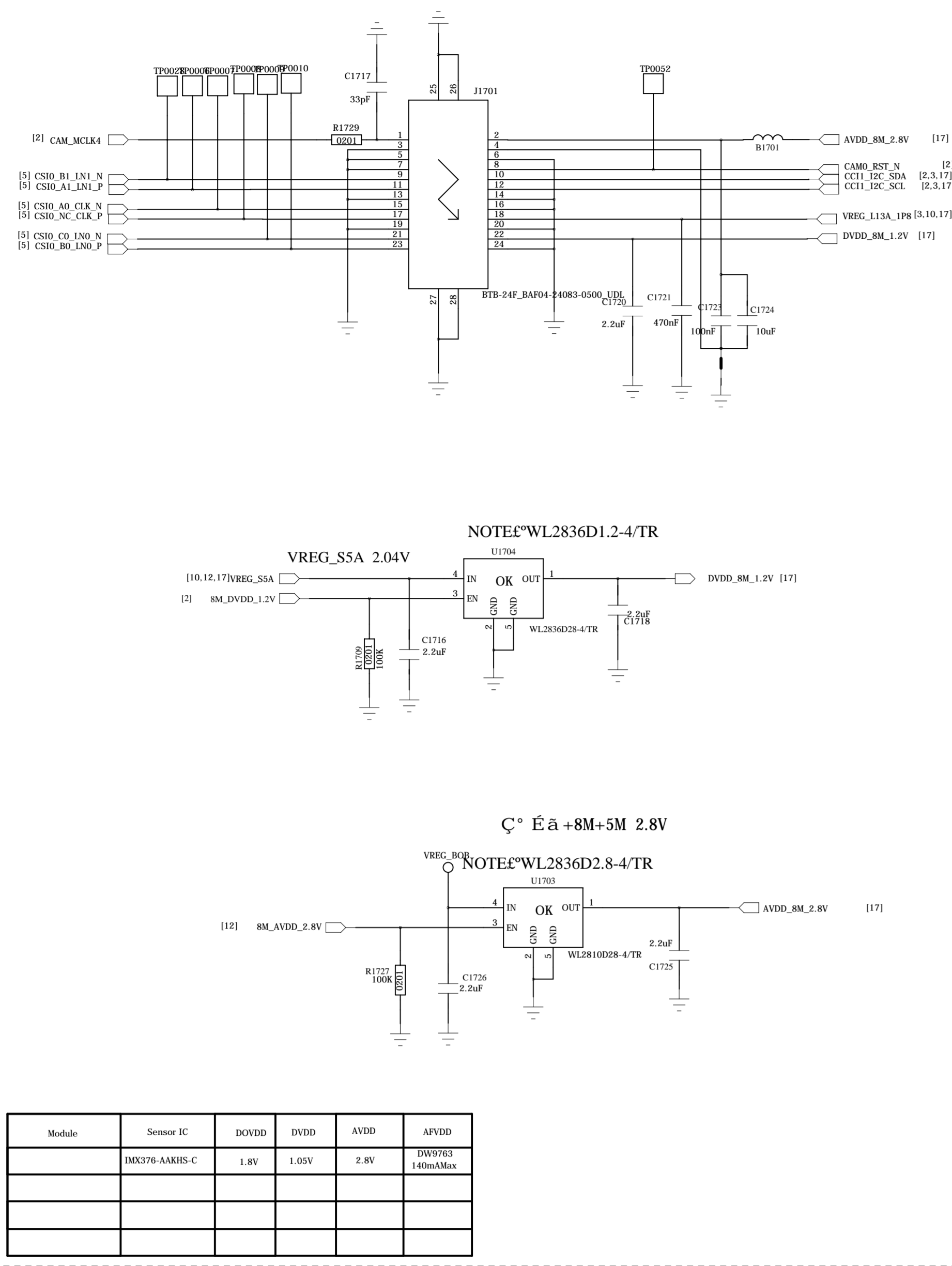
DRAWN: <Drawn By>	DATE: <Drawn Date>	CODE	SIZE	DRAWING NO.	REV.
CHECKED: <Checked By>	DATE: <Checked Date>	<Code>	A0	Drawing Number	Revision
QUALITY CONTROL: <QC By>	DATE: <QC Date>	SCALE: <Scale>	SHEET 14 30		
RELEASED: <Released By>	DATE: <Release Date>				

REVISION RECORD			
REV	ECO NO.	APPROVED	DATE

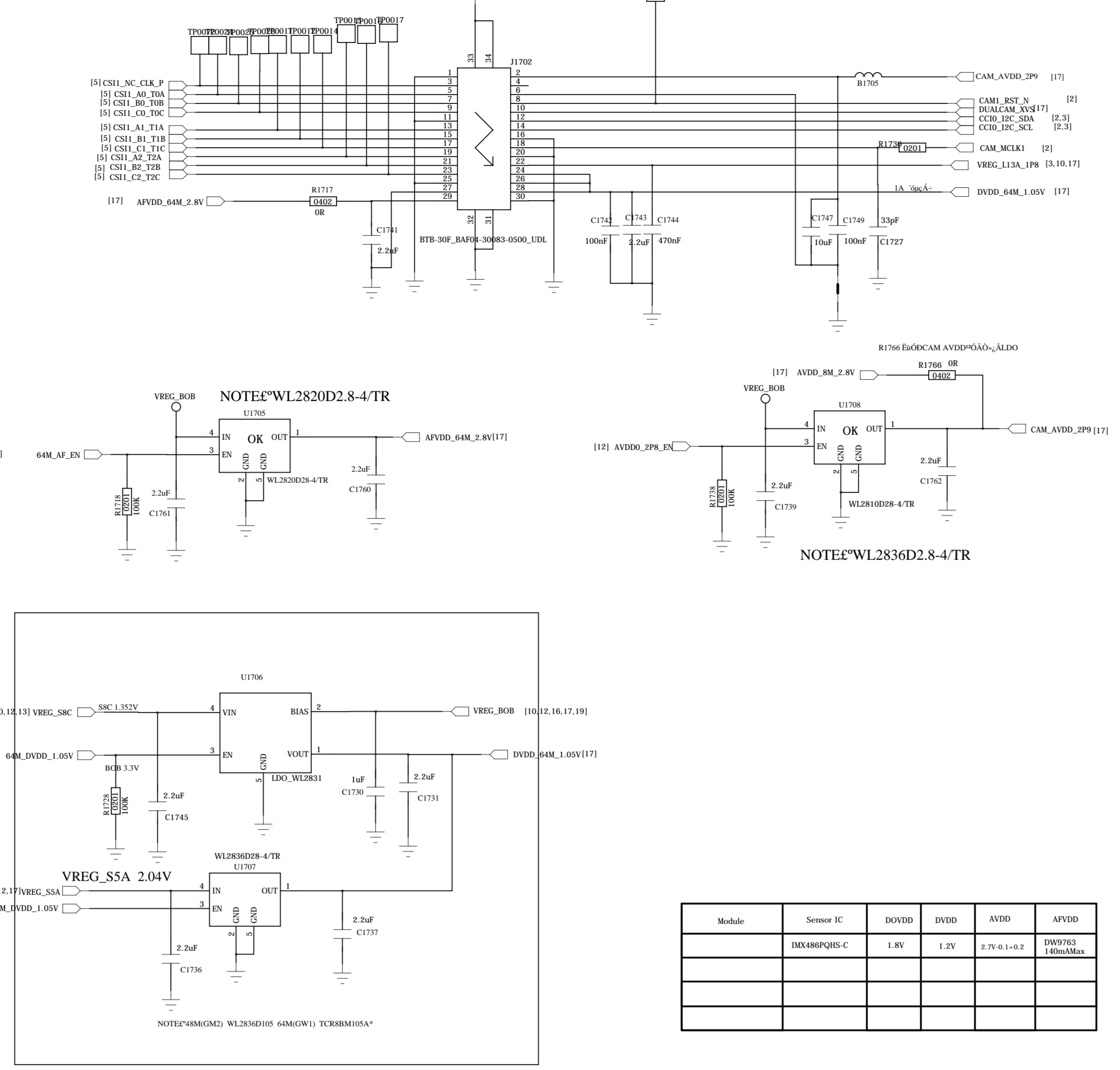


DRAWN: <Drawn By>		DATE: <Drawn Date>		COMPANY: <Company Name>	
CHECKED: <Checked By>		DATE: <Checked Date>		TITLE: <Title>	
QUALITY CONTROL: <QC By>		DATE: <QC Date>		CODE: <Code>	SIZE: A0
RELEASED: <Released By>		DATE: <Release Date>		DRAWING NO: <Drawing Number>	
		SCALE: <Scale>		REV: <Revision>	

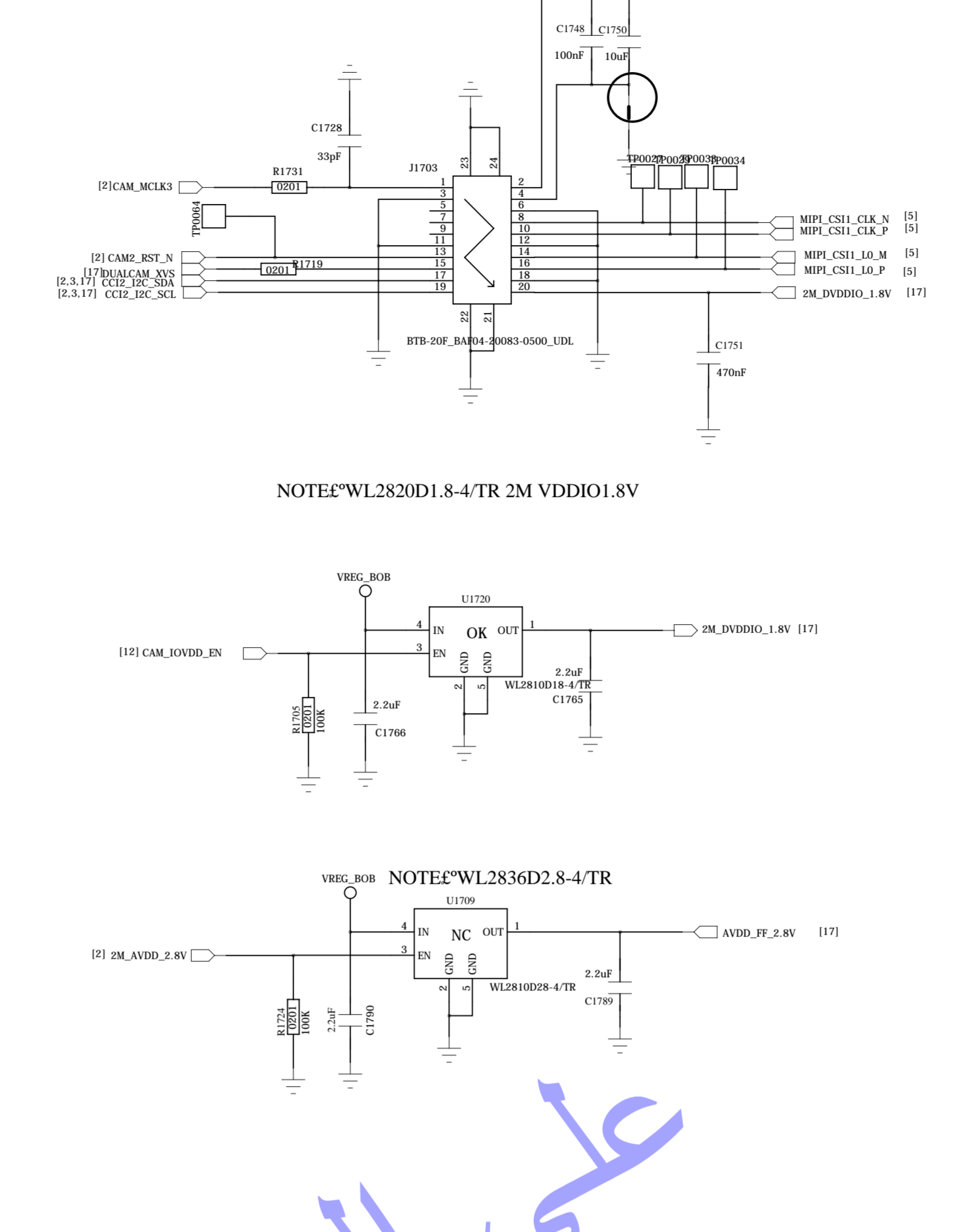
Main Camera B 8M



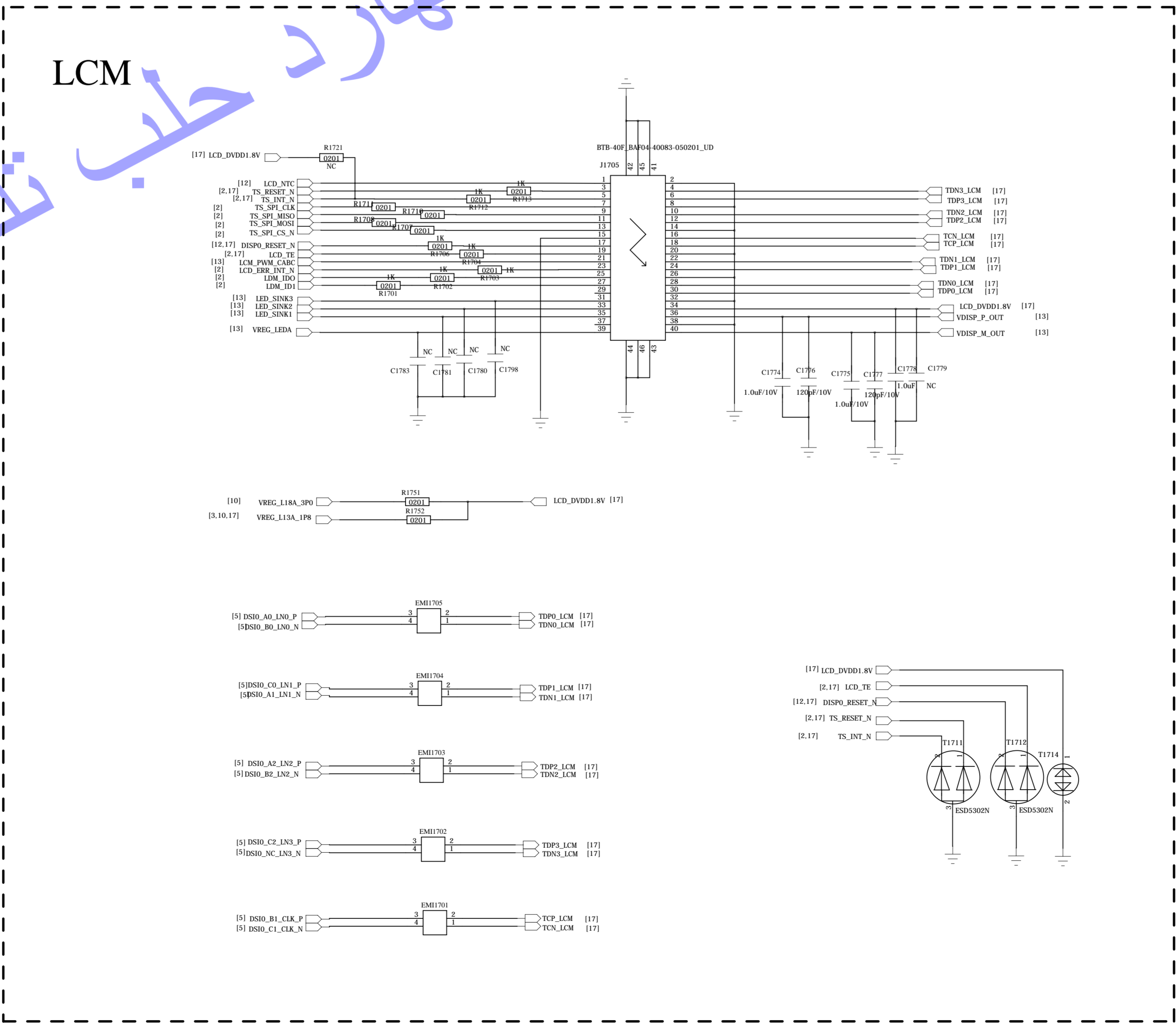
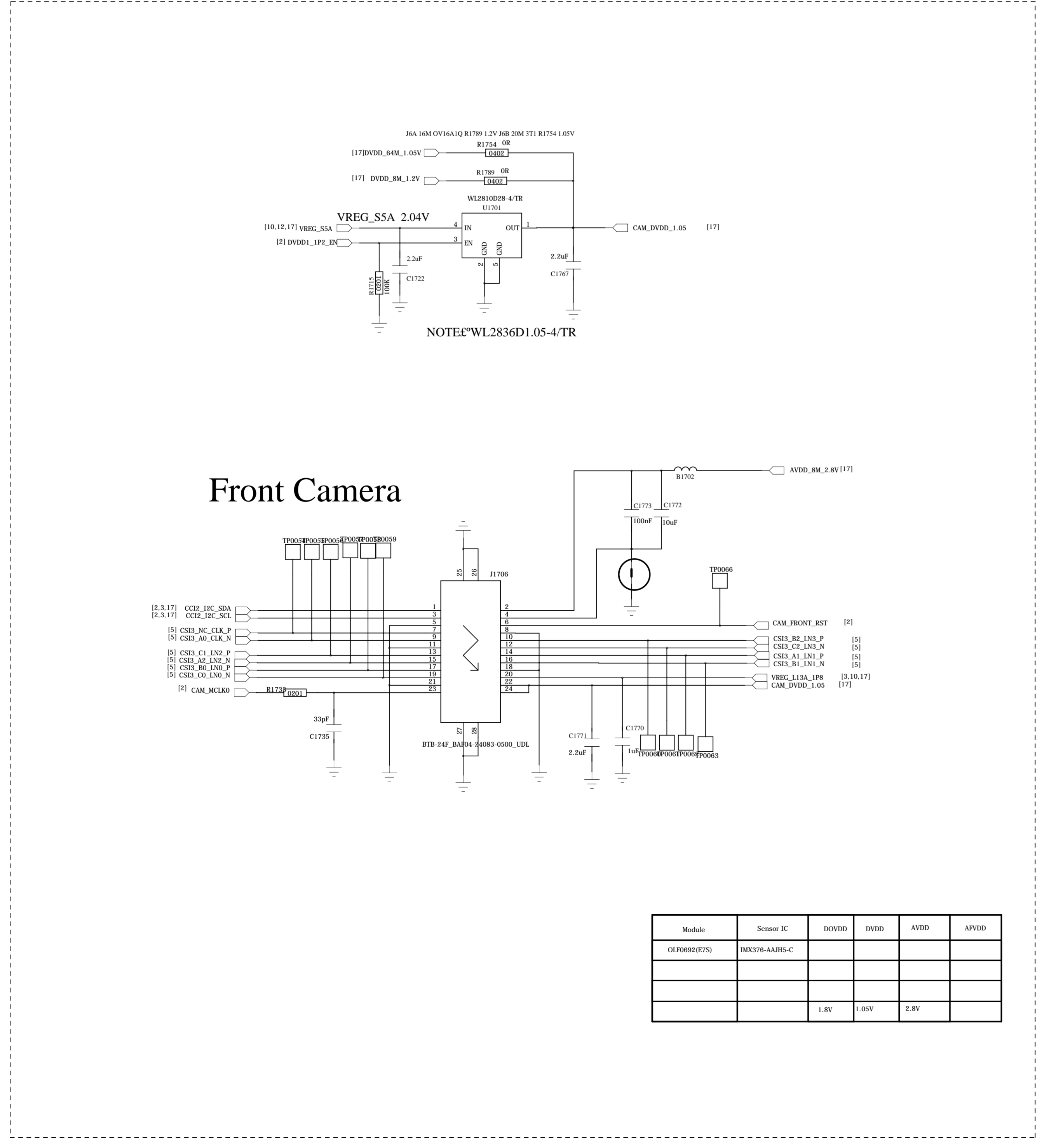
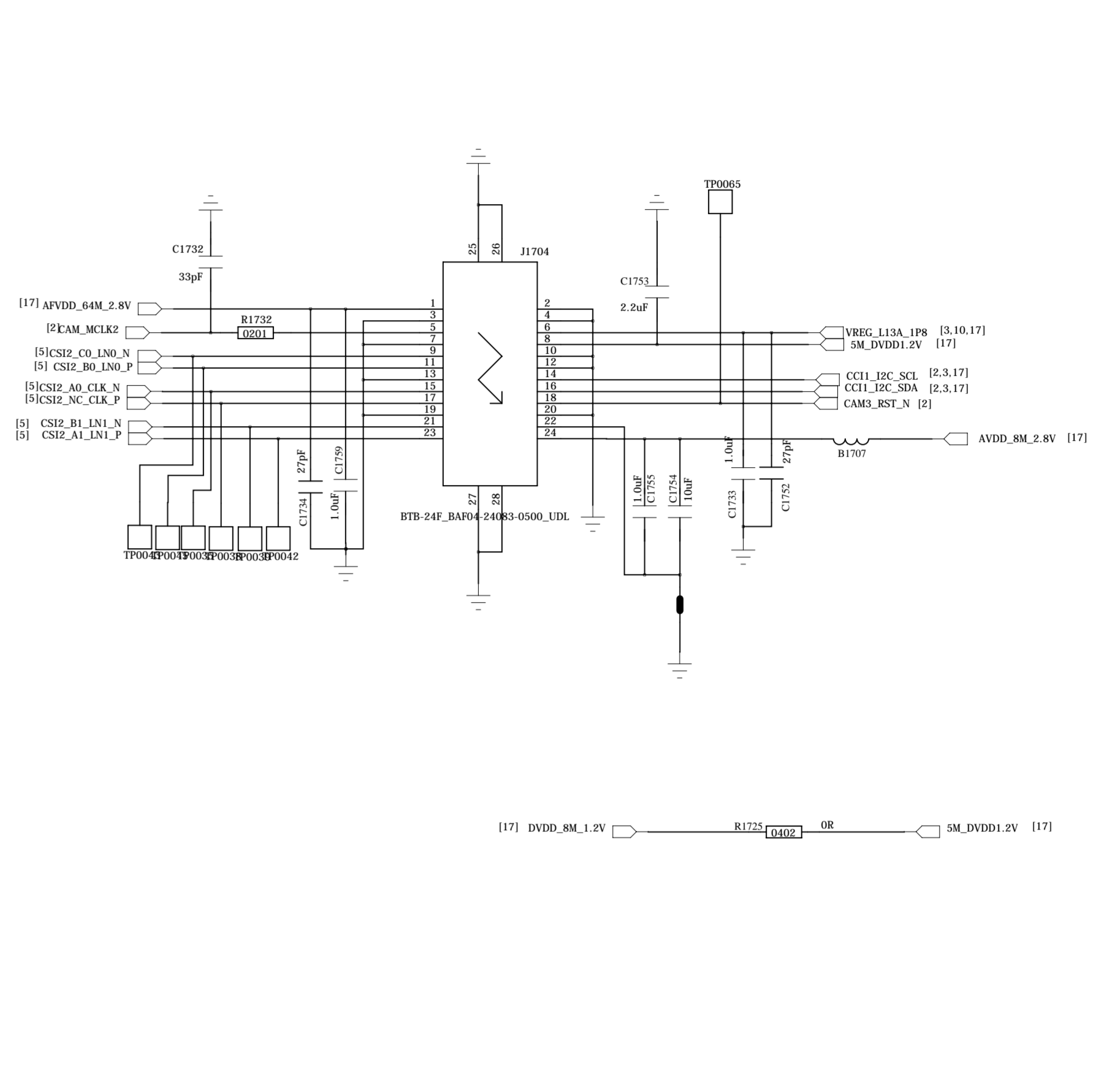
Main Camera A 64M



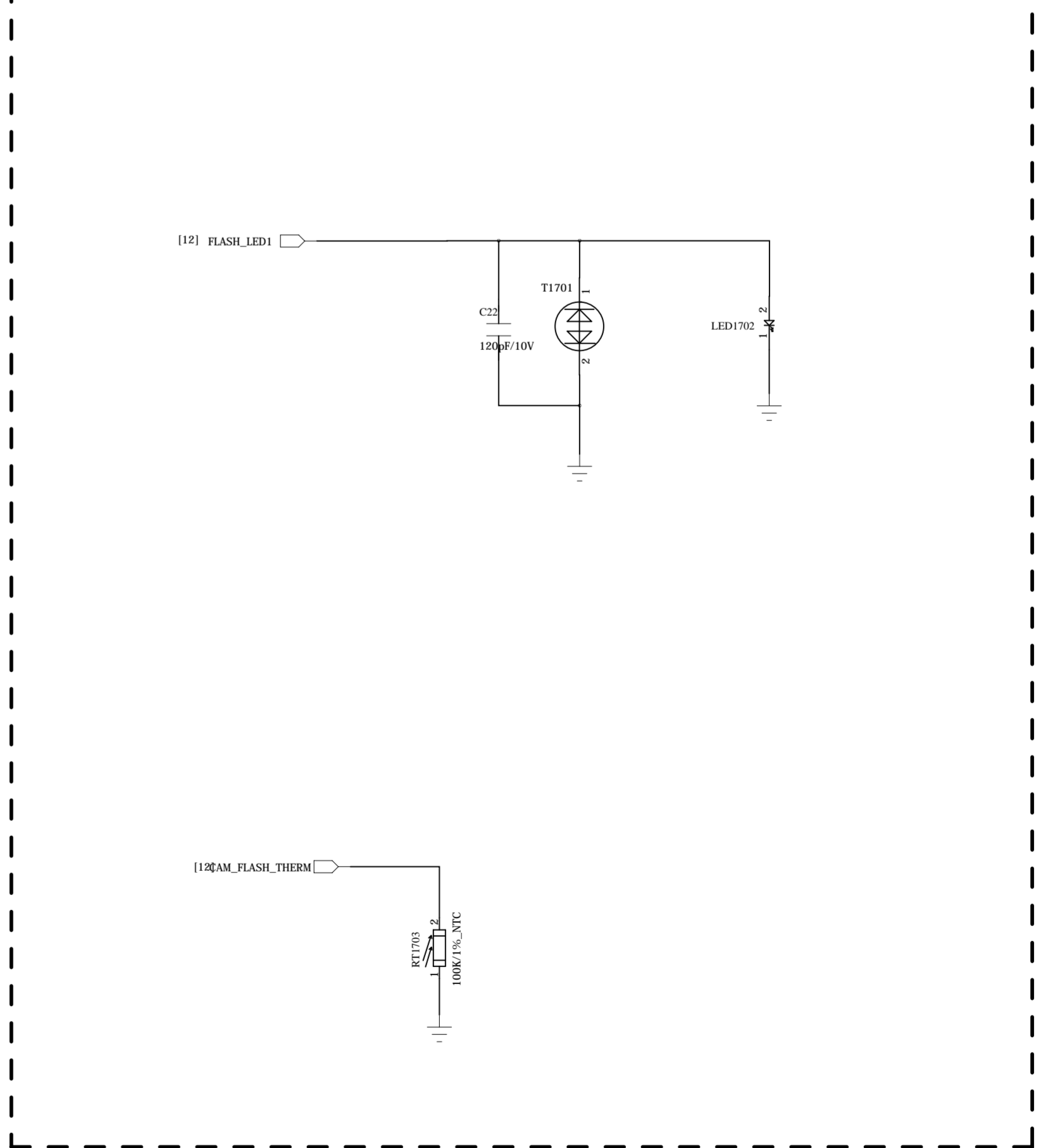
Main Camera C 2M 2M FF



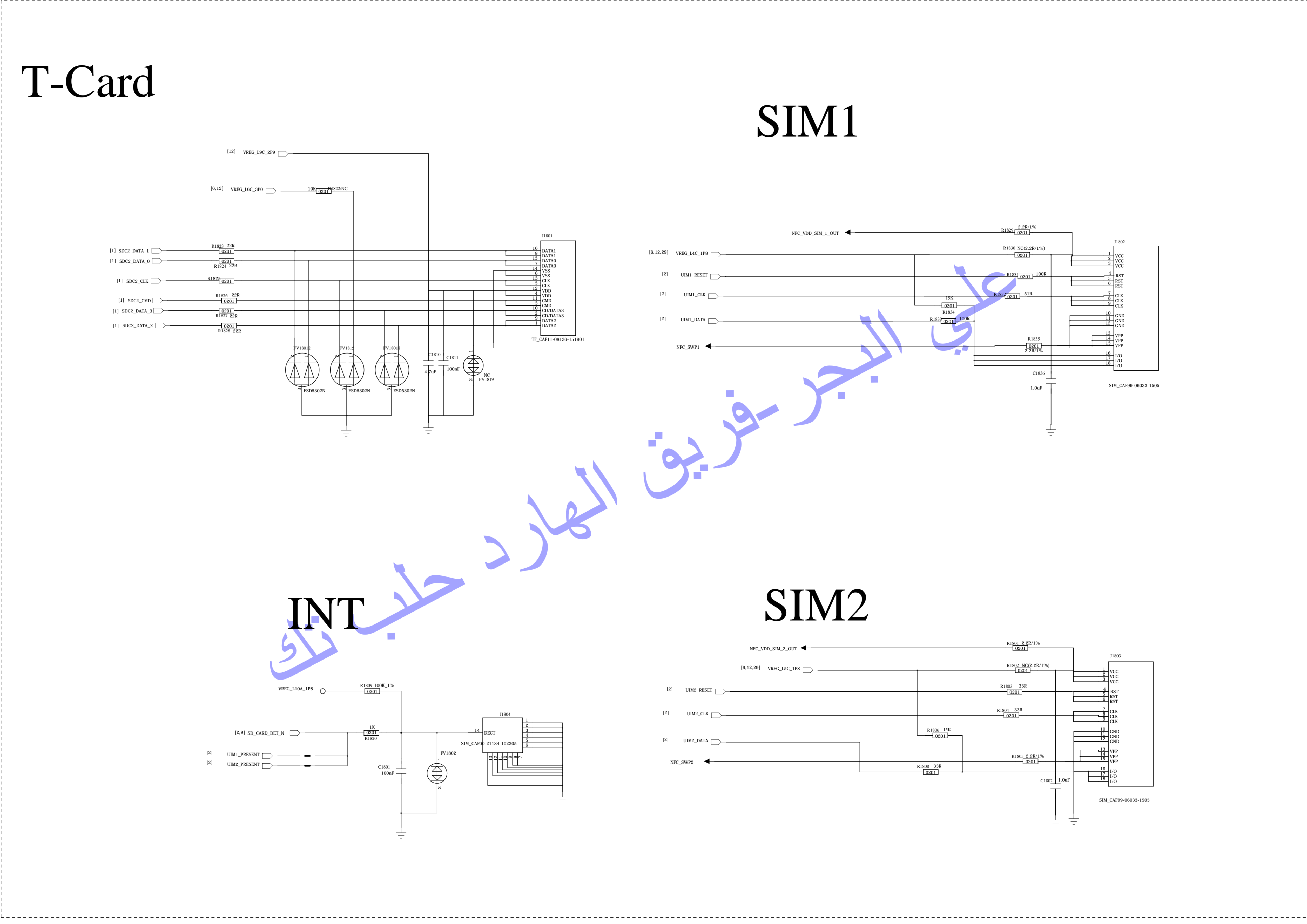
Main Camera D 5M 2M AF



Flash Light



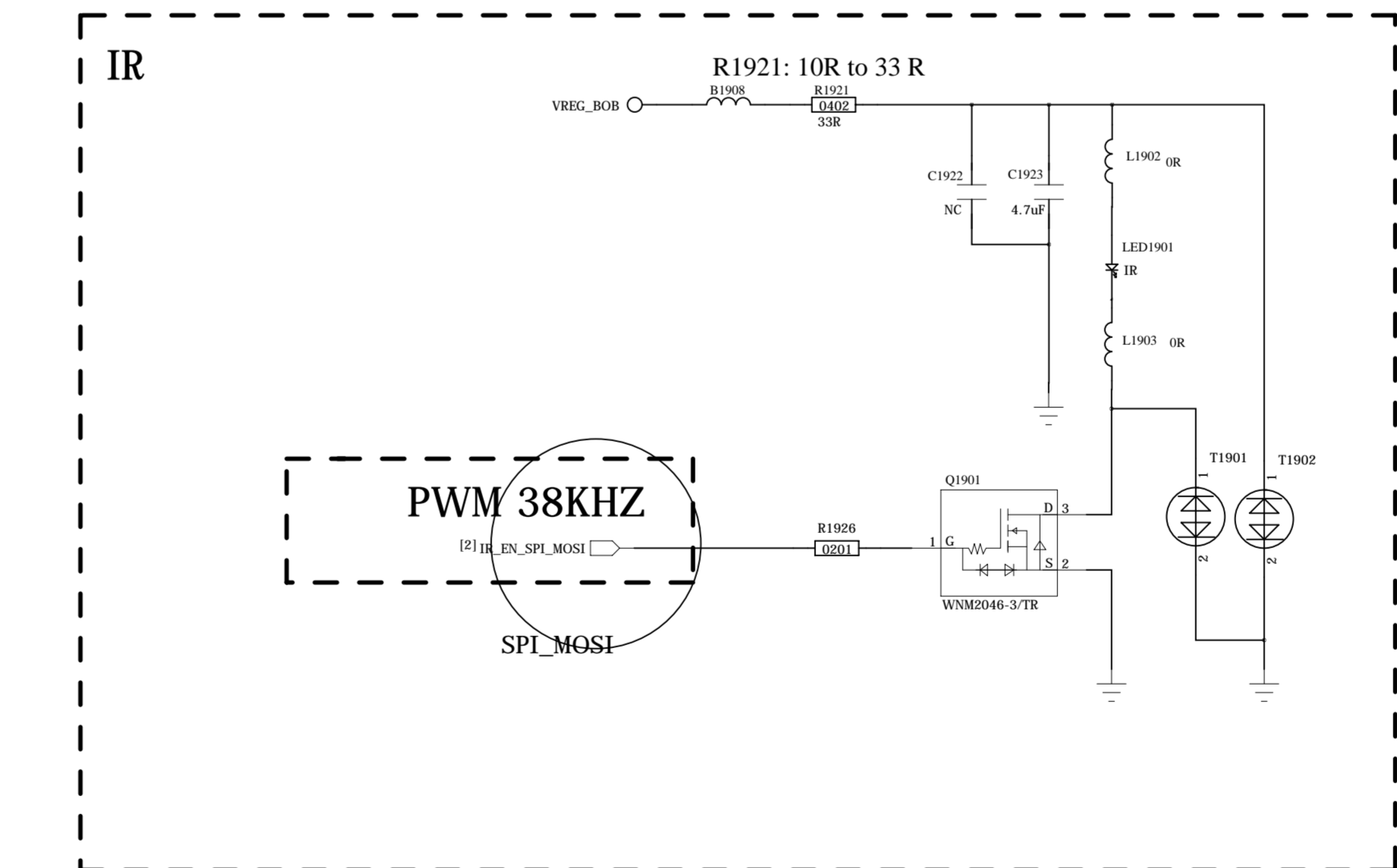
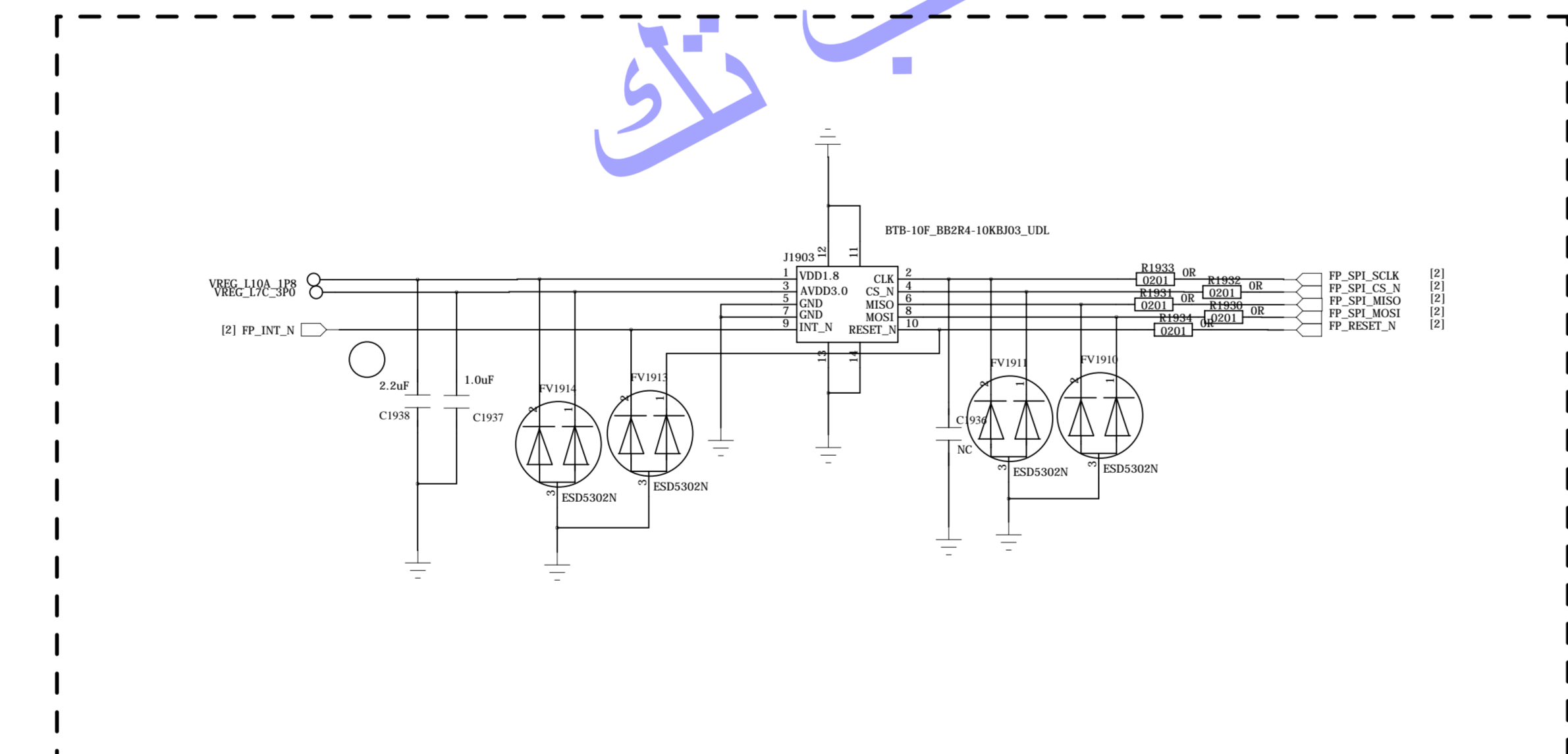
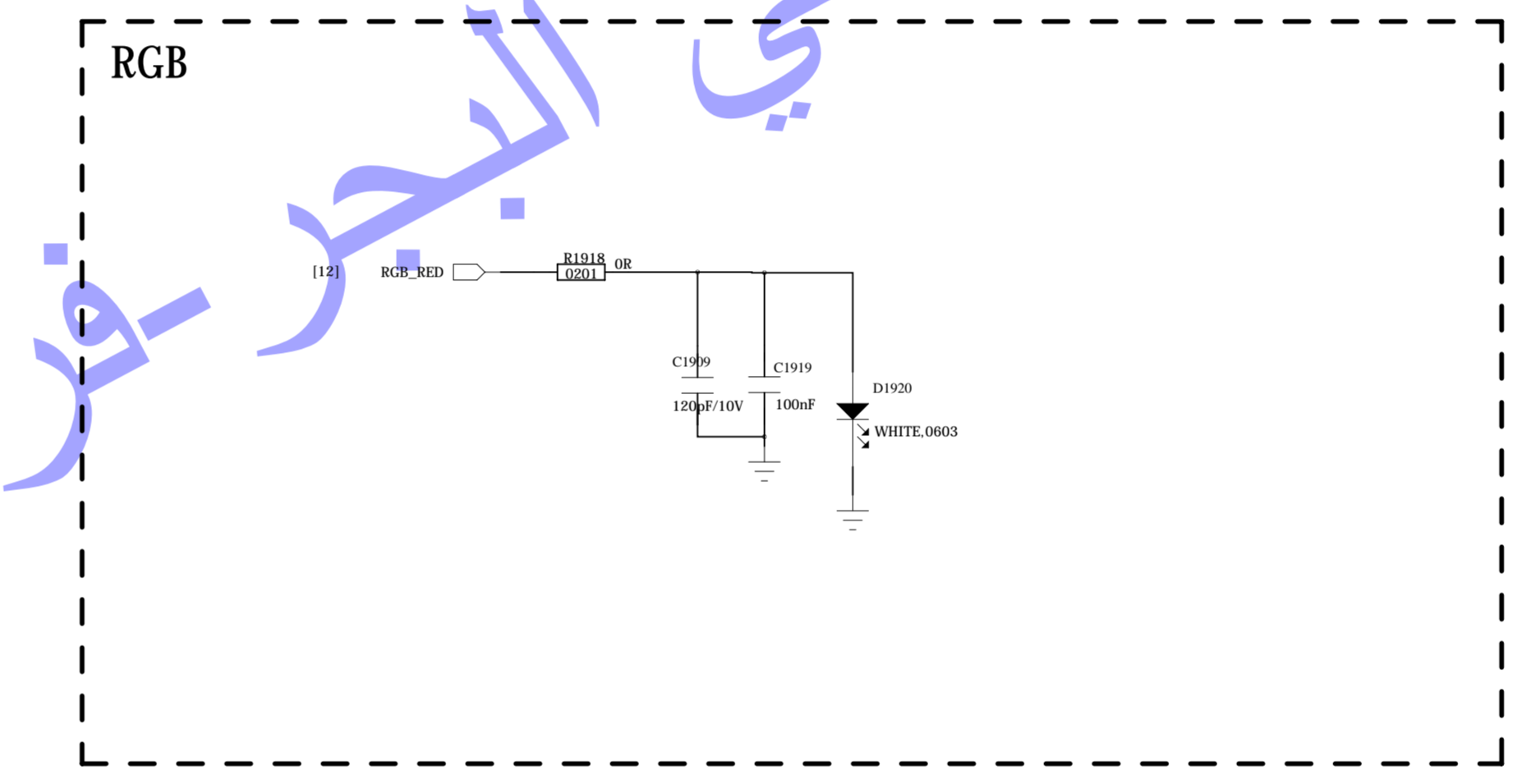
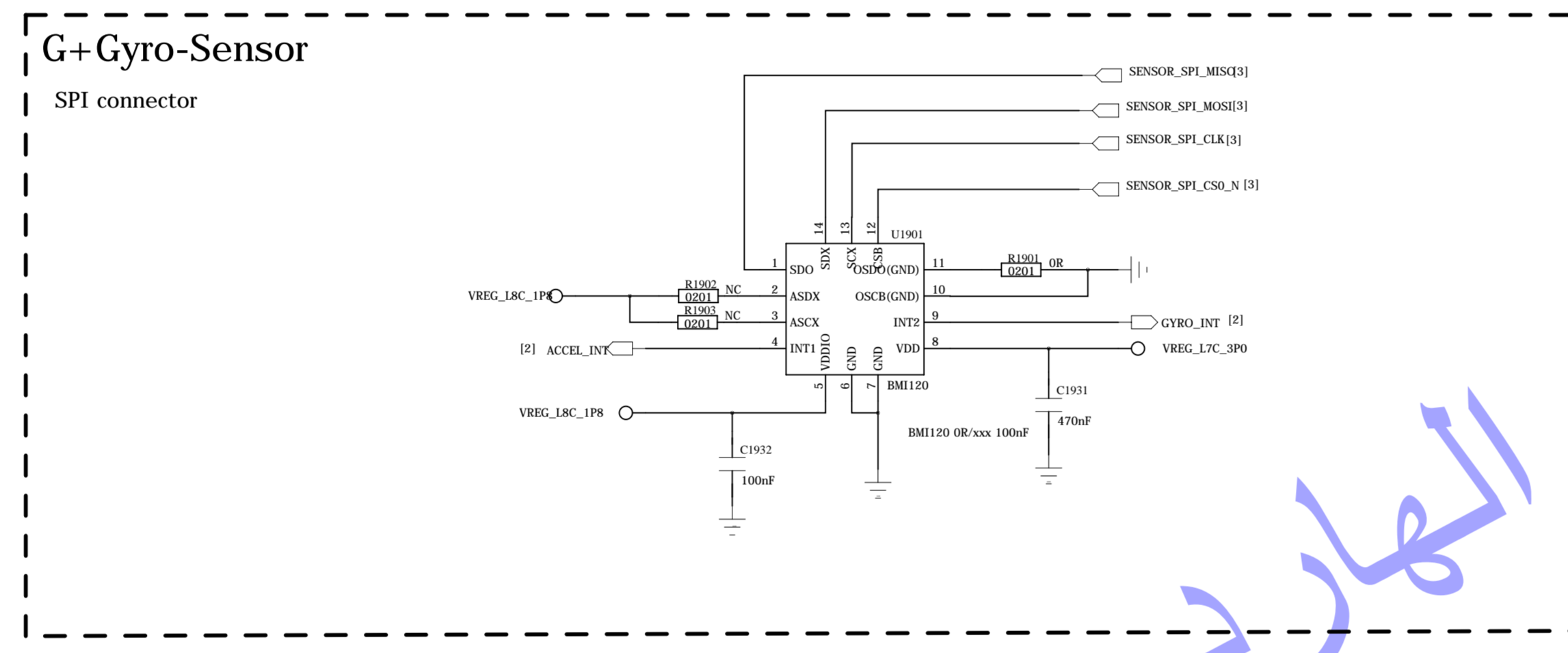
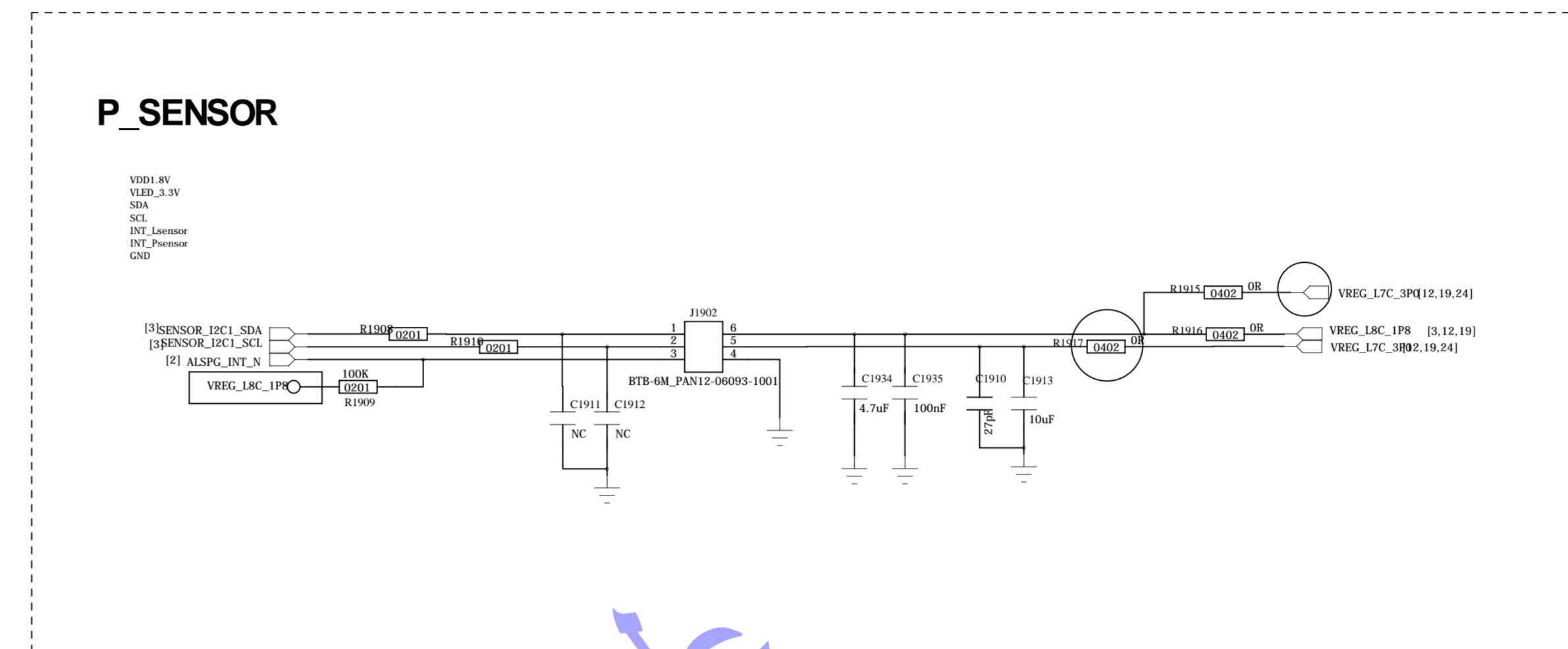
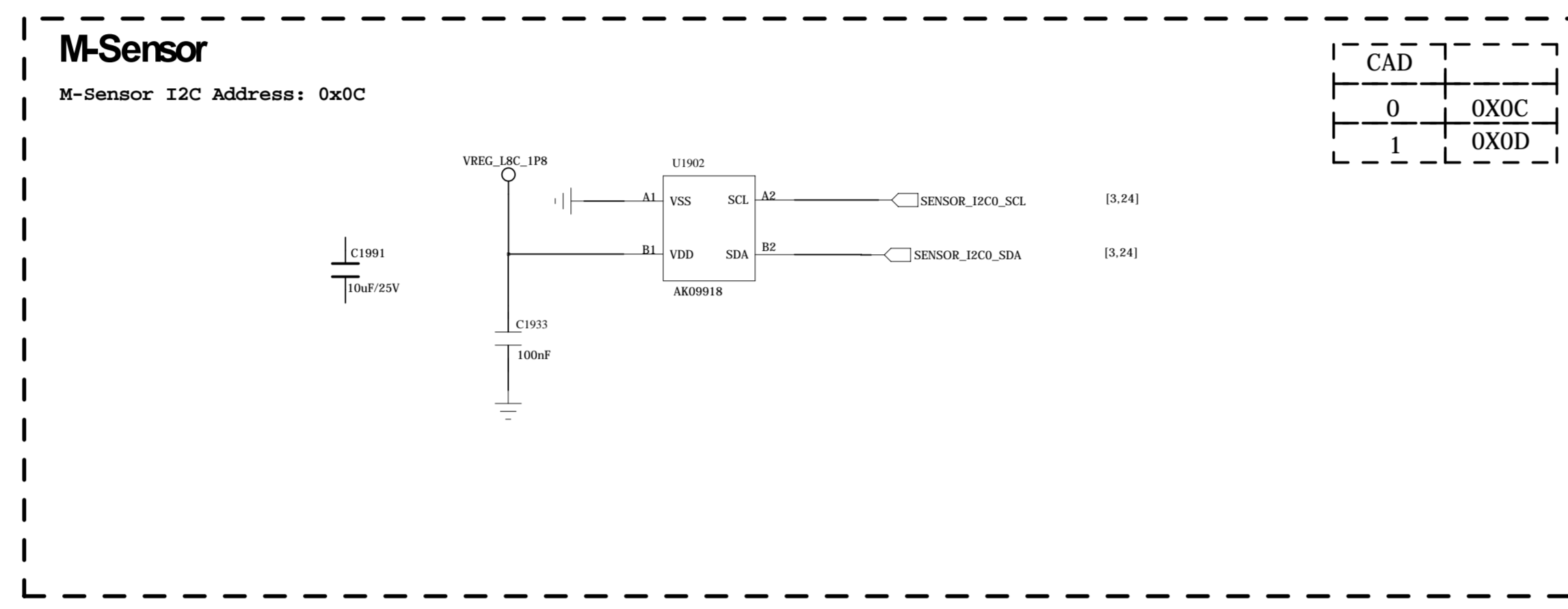
REVISION RECORD			
ITER	REV. NO.	APPROVED	DATE



علي البجر فريق الهارد طب ناك
 INT

DRAWN: <Drawn By>		DATE: <Drawn Date>		COMPANY: <Company Name>	
CHECKED: <Checked By>		DATE: <Checked Date>		TITLE: <Title>	
QUALITY CONTROL: <QC By>		DATE: <QC Date>		CODE: <Code>	SIZE: A0
RELEASED: <Released By>		DATE: <Release Date>		DRAWING NO: <Drawing Number>	
		SCALE: <Scale>		REV: <Revision>	
				SHEET 18 OF 30	

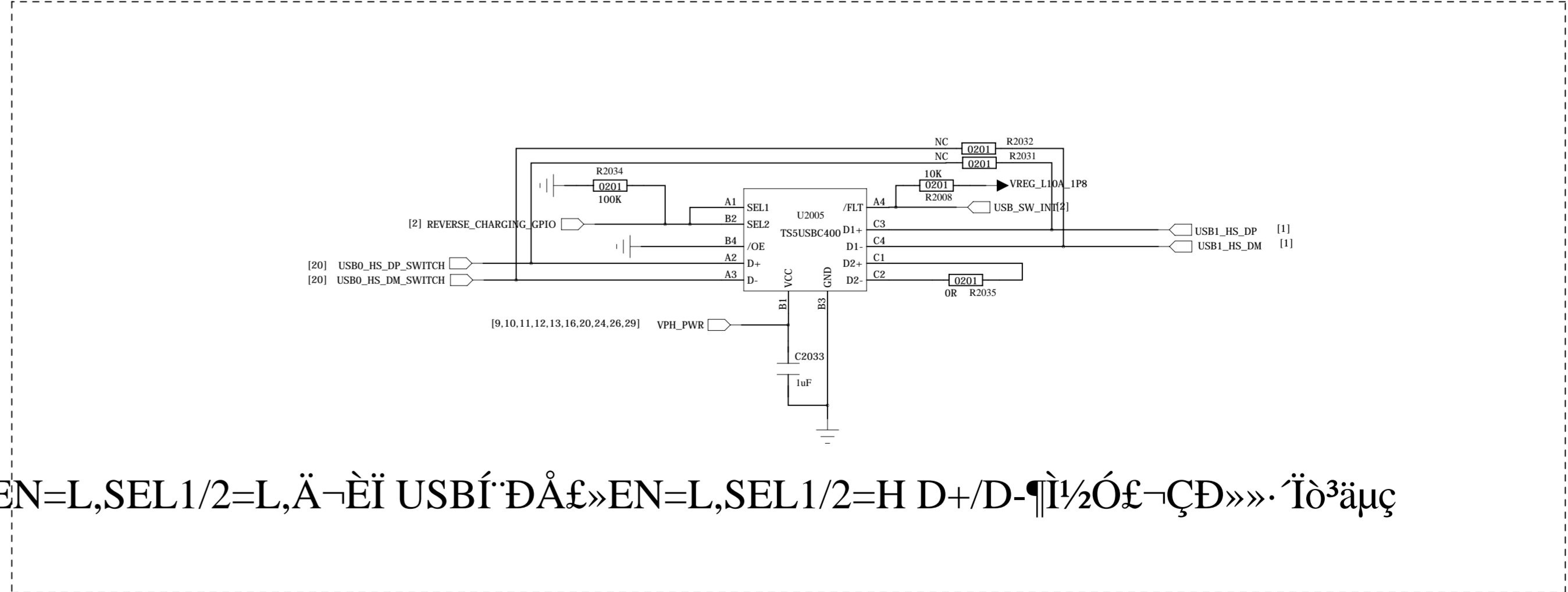
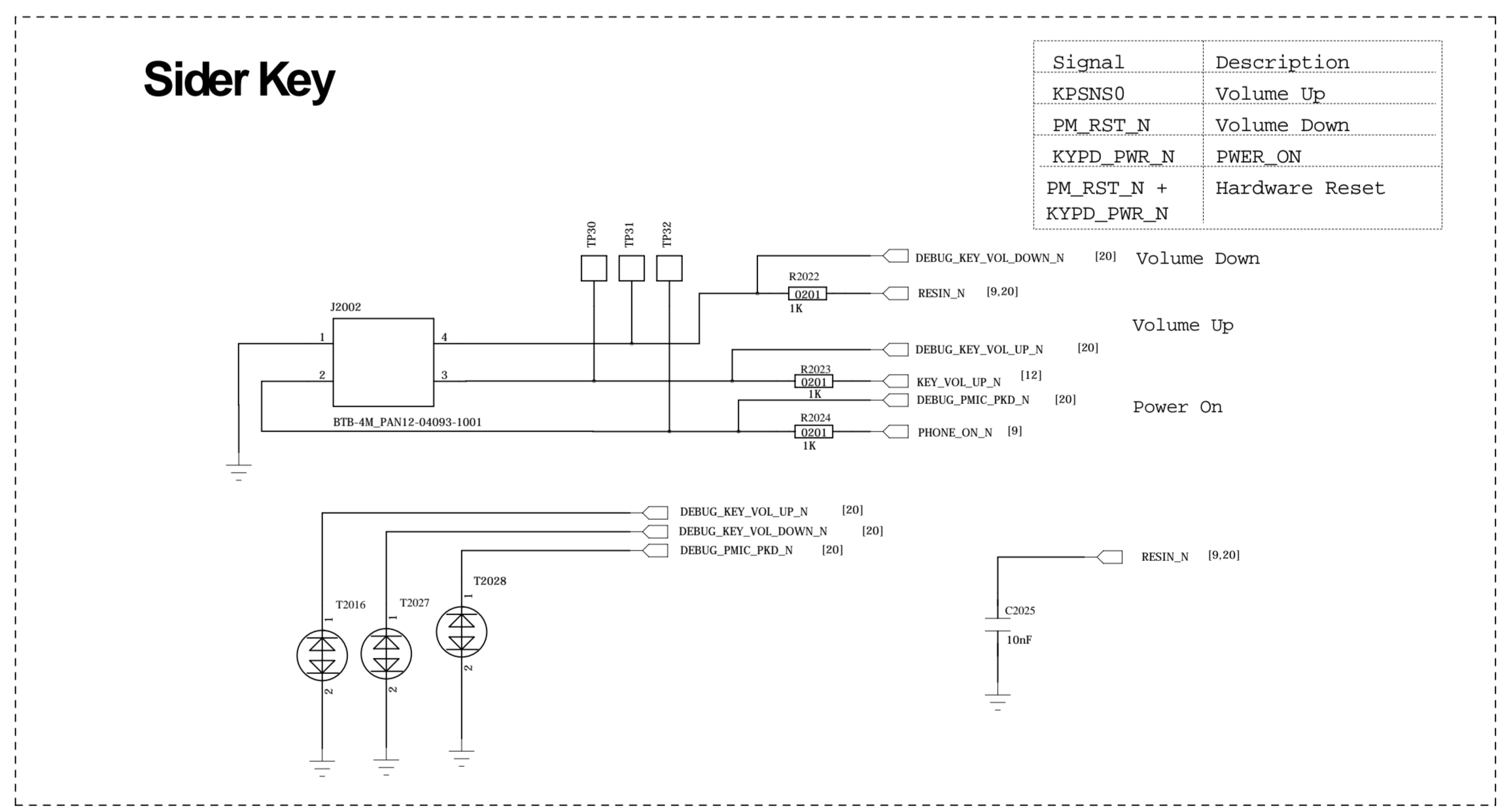
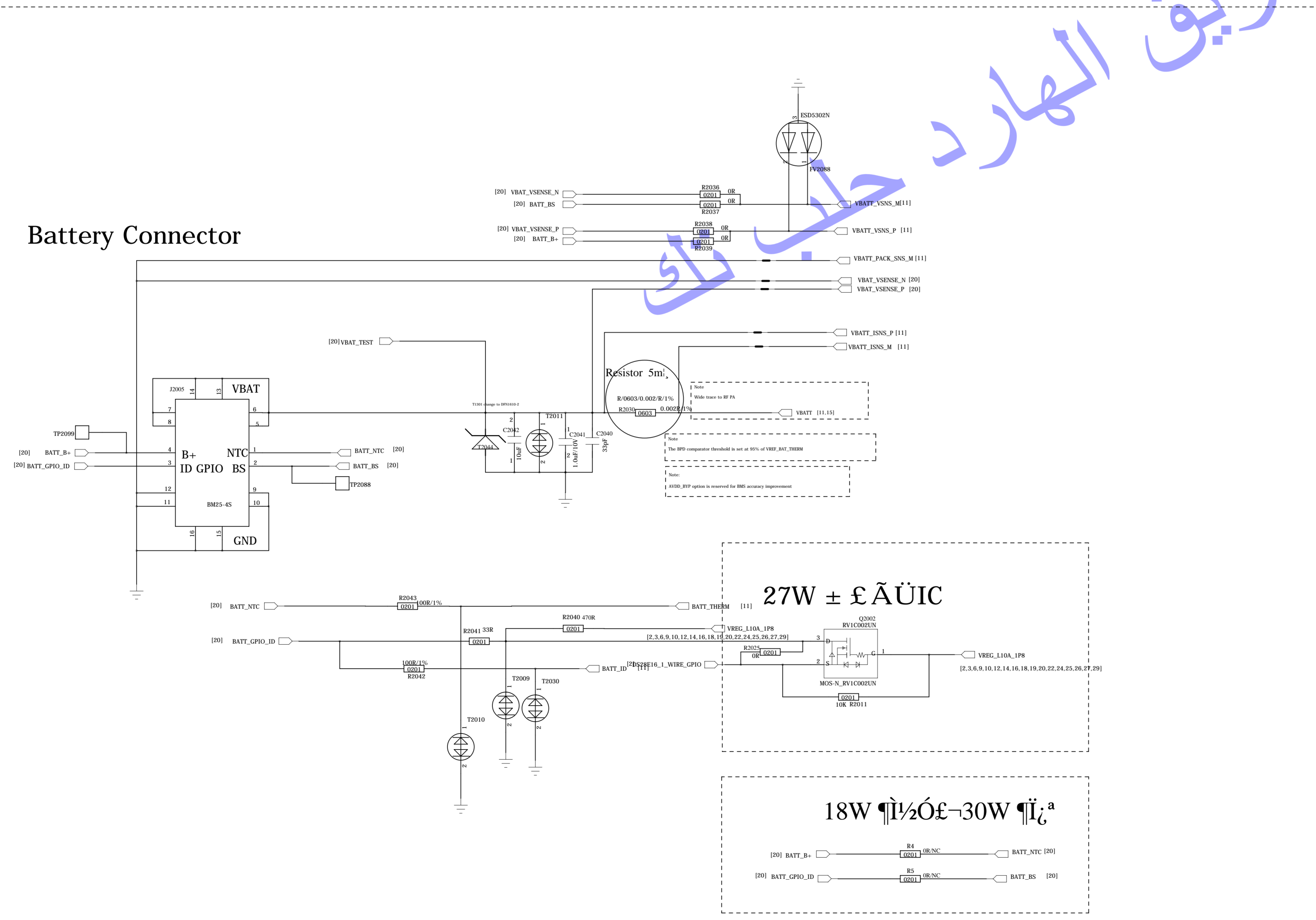
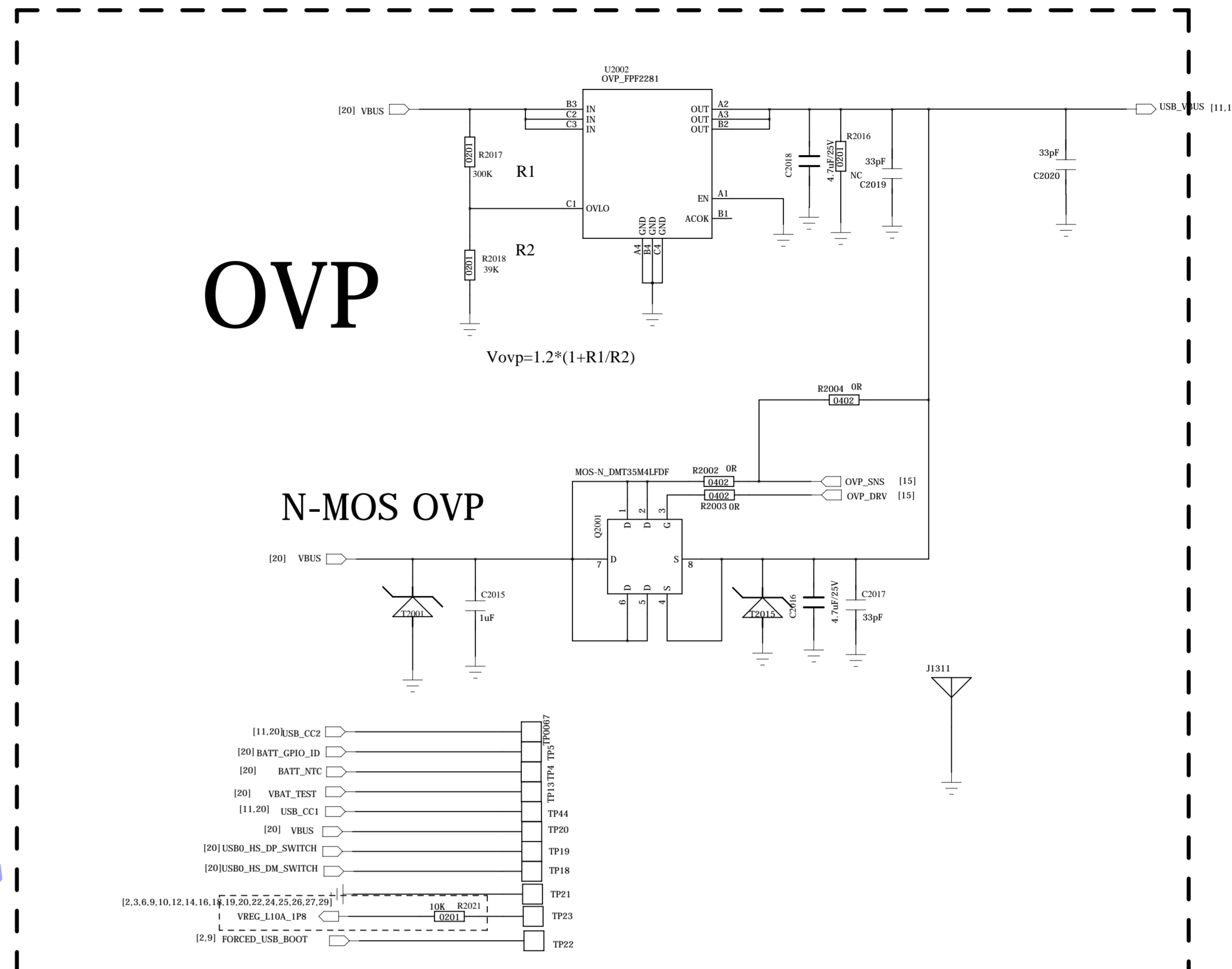
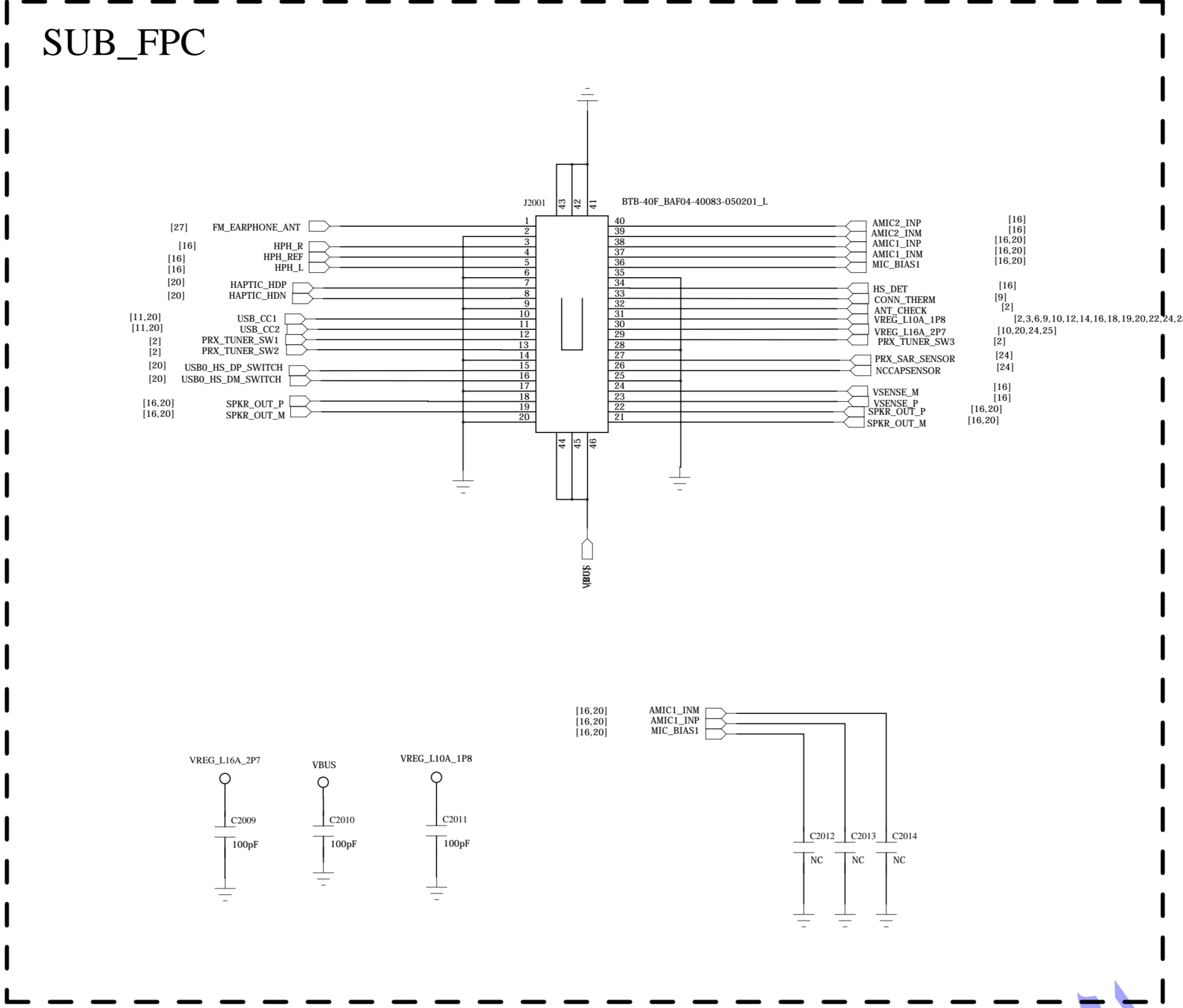
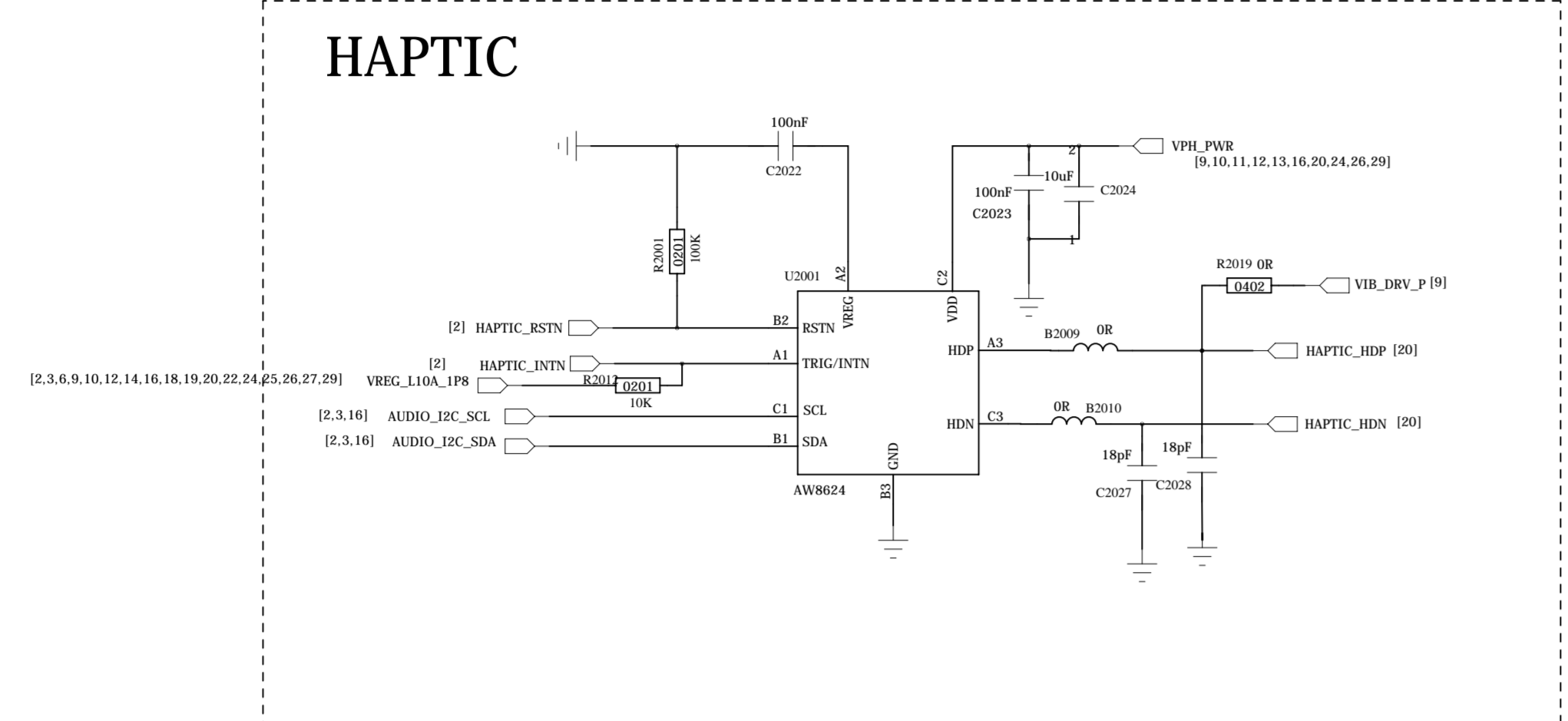
REVISION RECORD			
LT#	ECO NO.	APPROVED	DATE



علي الطير فريق الهارد طب نك

DRAWN: <Drawn By>		DATE: <Drawn Date>		COMPANY: <Company Name>			
CHECKED: <Checked By>		DATE: <Checked Date>		TITLE: <Title>			
QUALITY CONTROL: <QC By>		DATE: <QC Date>		CODE: <Code>	SIZE: A0	DRAWING NO: <Drawing Number>	REV: <Revision>
RELEASED: <Released By>		DATE: <Release Date>		SCALE: <Scale>		SHEET 19 30	

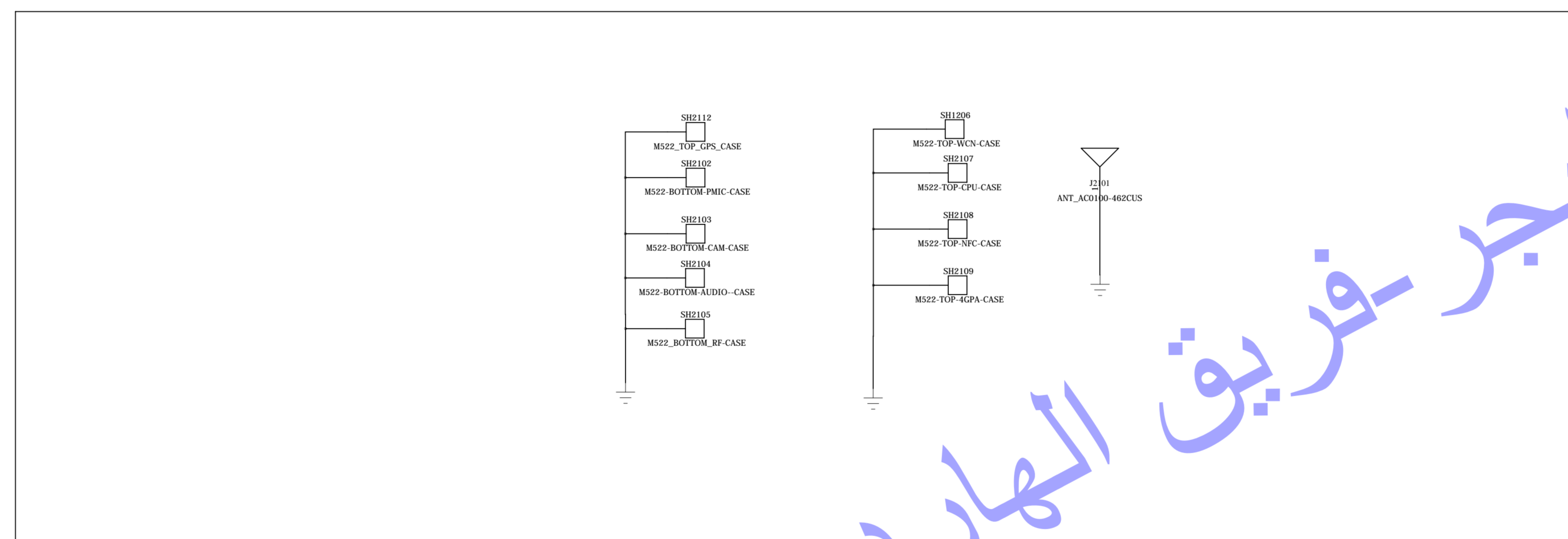
REVISION RECORD			
LTB	ECO NO	APPROVED	DATE



EN=L,SEL1/2=L,Ä-ÈÏ USBÍ ÐÁε»EN=L,SEL1/2=H D+/D-¶½Óε-ÇÐ»»·Ïò³αµç

COMPANY: <Company Name>			
TITLE: <Title>			
DRAWN: <Drawn By>	DATE: <Drawn Date>	CODE	SIZE
CHECKED: <Checked By>	DATE: <Checked Date>	DRAWING NO.	REV.
QUALITY CONTROL: <QC By>	DATE: <QC Date>	<Code> A0<Drawing Number>Revision>	
RELEASED: <Released By>	DATE: <Release Date>	SCALE:	SHEET: 29 30

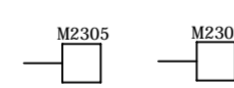
REVISION RECORD			
ITM	REV. NO.	APPROVED	DATE



علي البجير فريق الهارد طب نك

BAD MARK POINT

MARK POINT

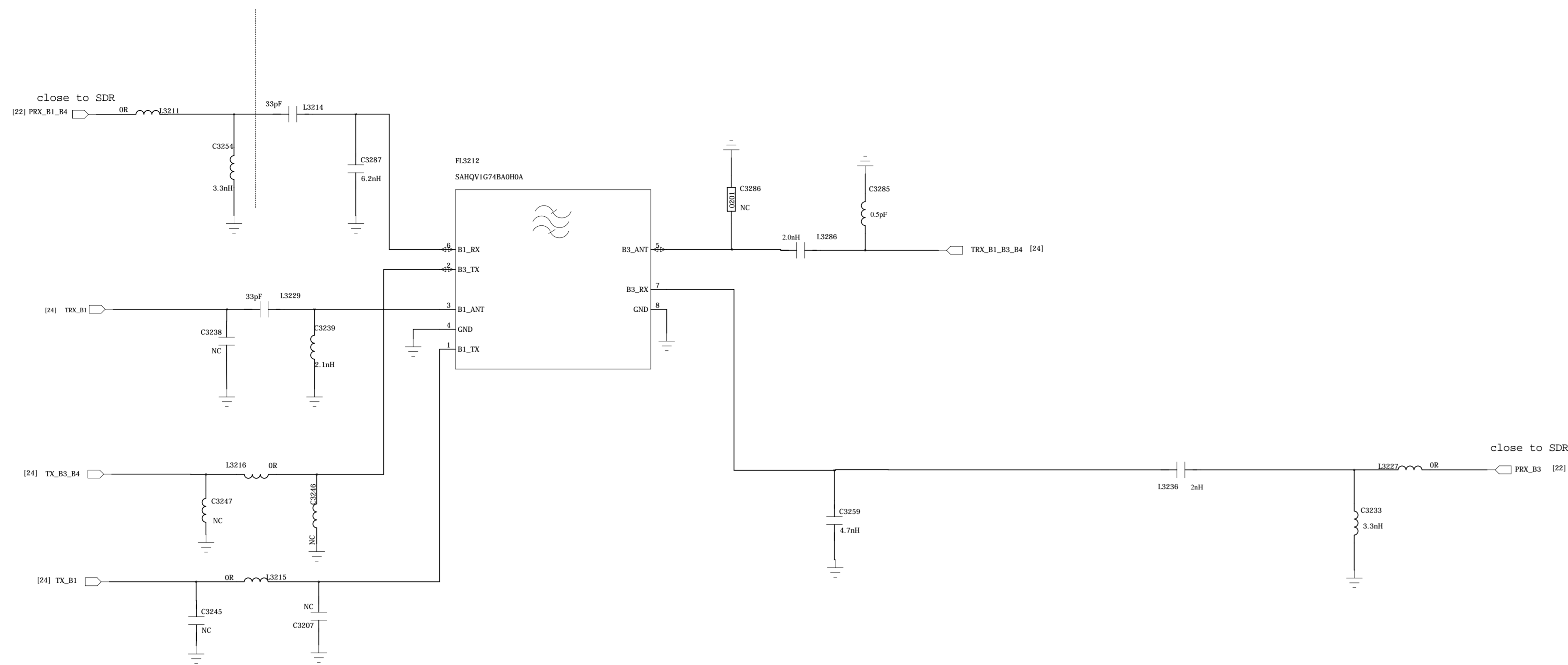


COMPANY: <Company Name>

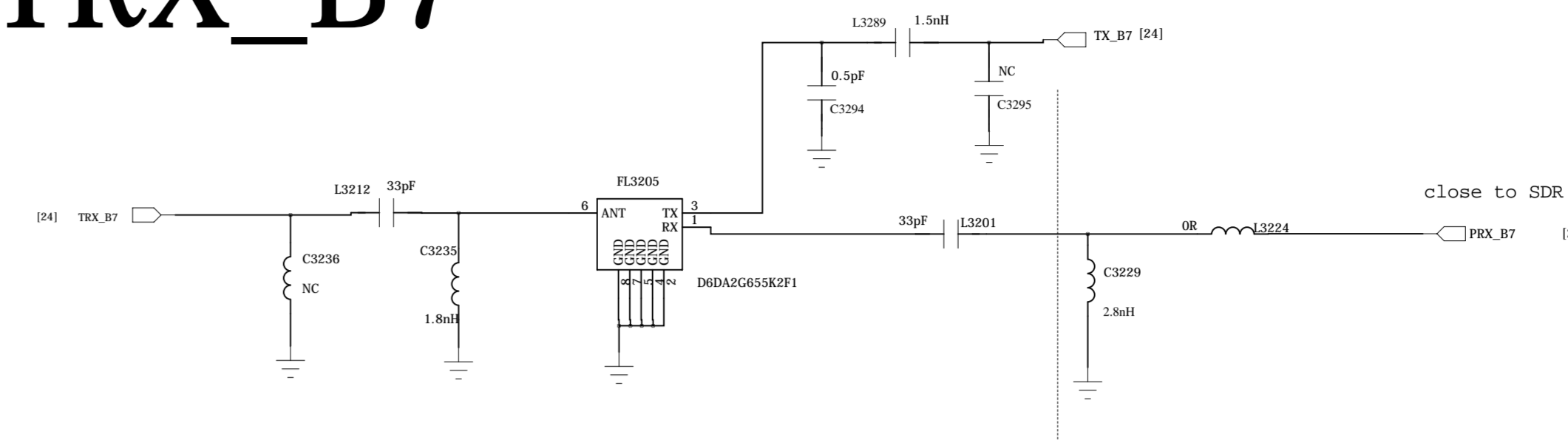
TITLE: <Title>

DESIGN: <Drawn By>	DATE: <Drawn Date>	CODE:	SIZE:	DRAWING NO.:	REV.:
CHECKED: <Checked By>	DATE: <Checked Date>	<Code> A0<Drawing Number>Revision>			
QUALITY CONTROL: <QC By>	DATE: <QC Date>				
RELEASED: <Released By>	DATE: <Release Date>	SCALE: <Scale>	SHEET 2# 30		

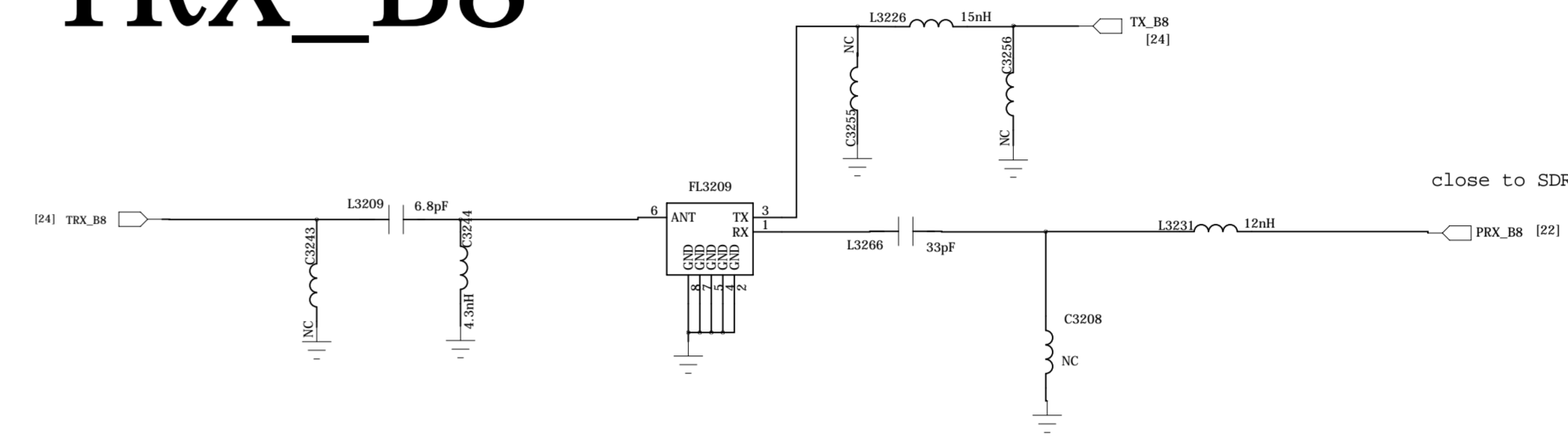
TRX_B1_B3_B4



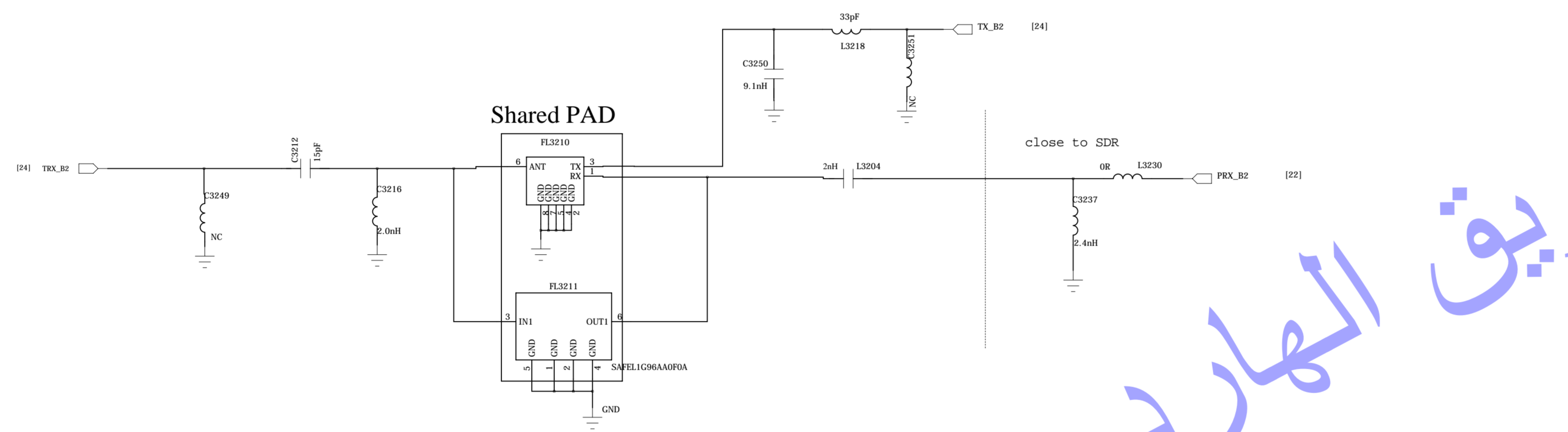
TRX_B7



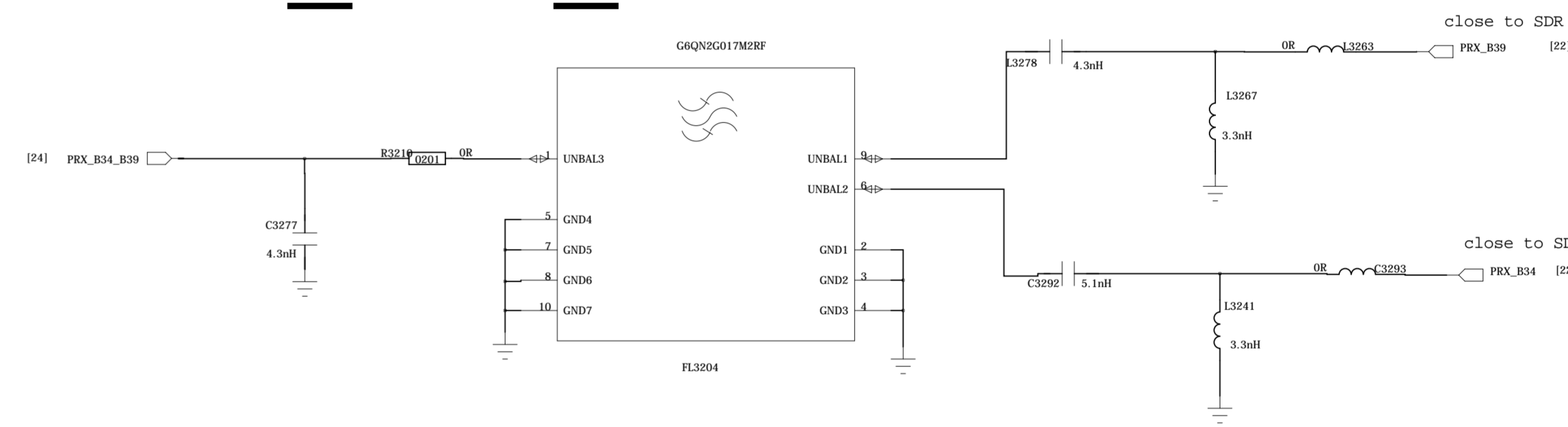
TRX_B8



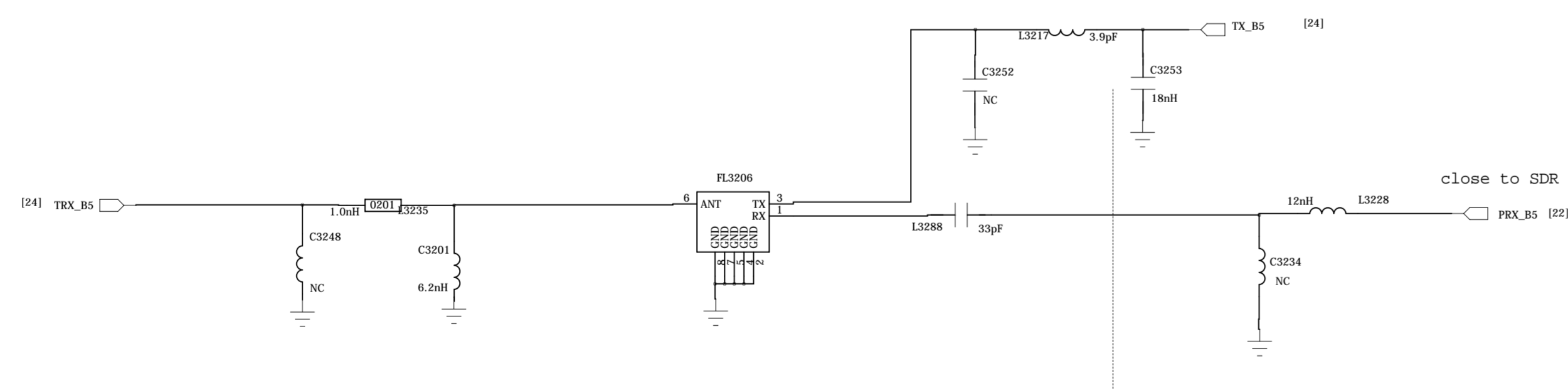
TRX_B2



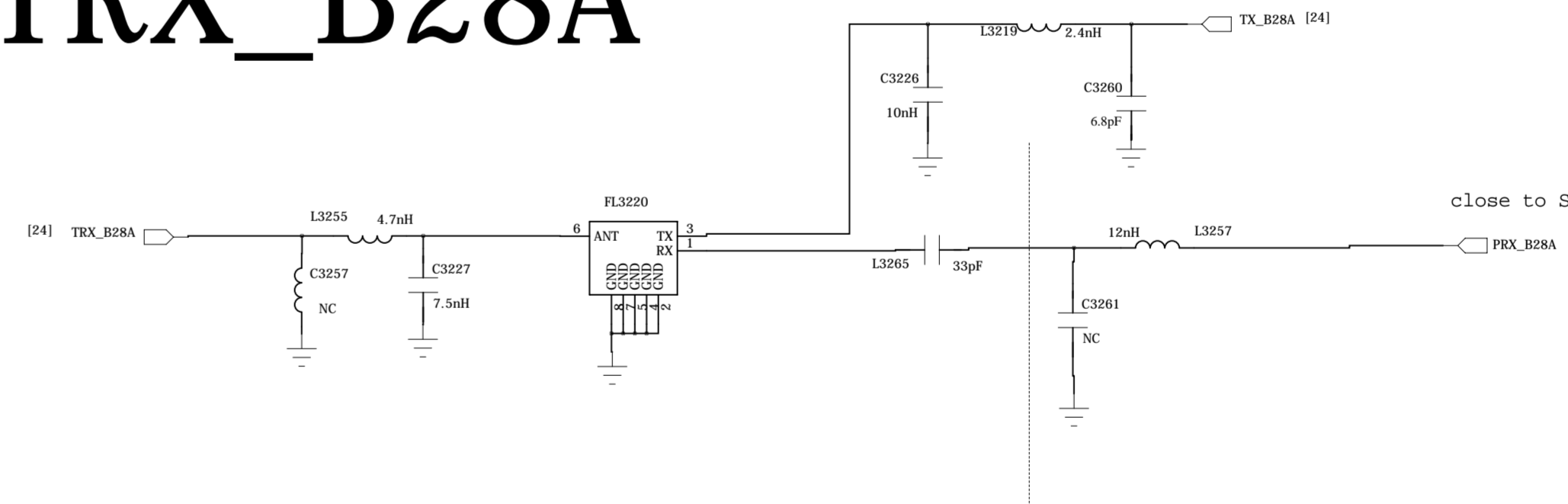
PRX_B34_B39



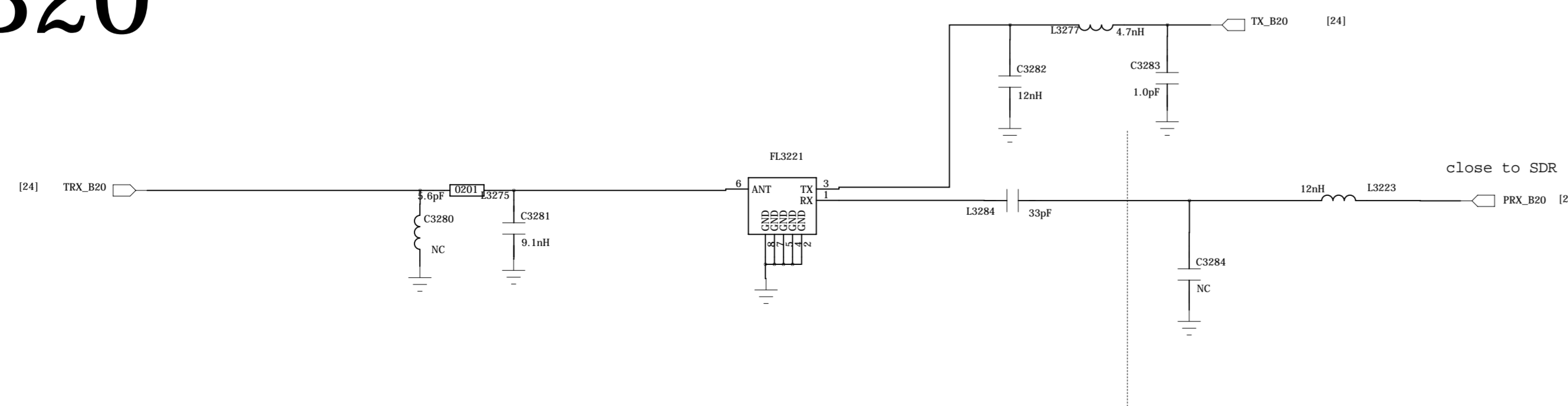
TRX_B5



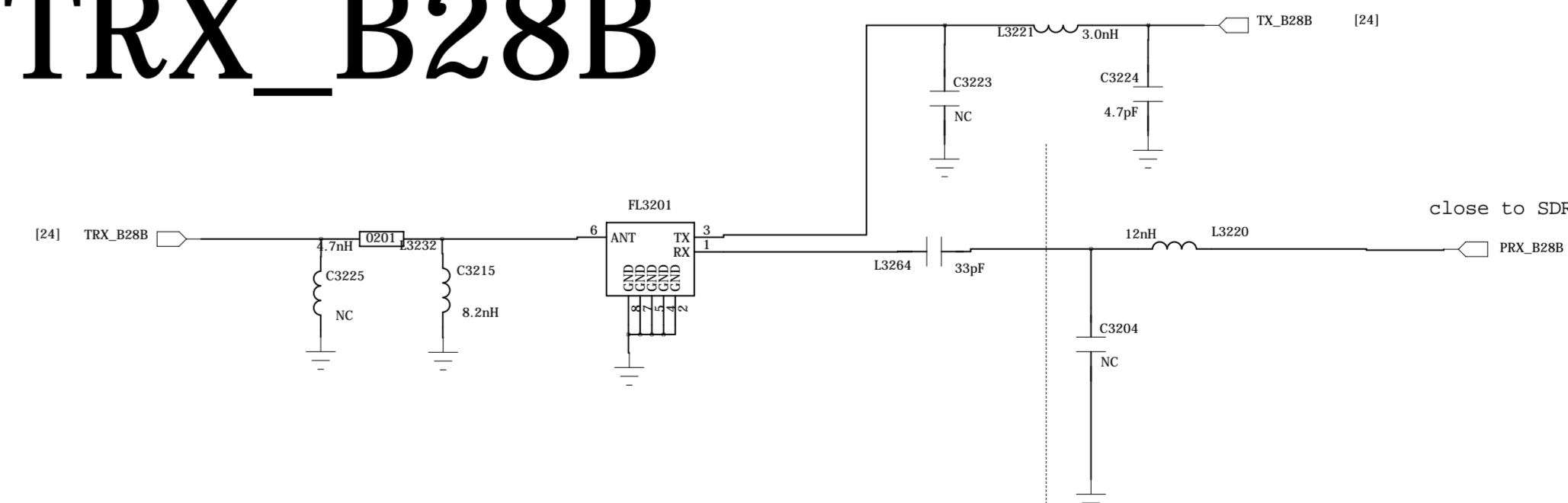
TRX_B28A



TRX_B20



TRX_B28B

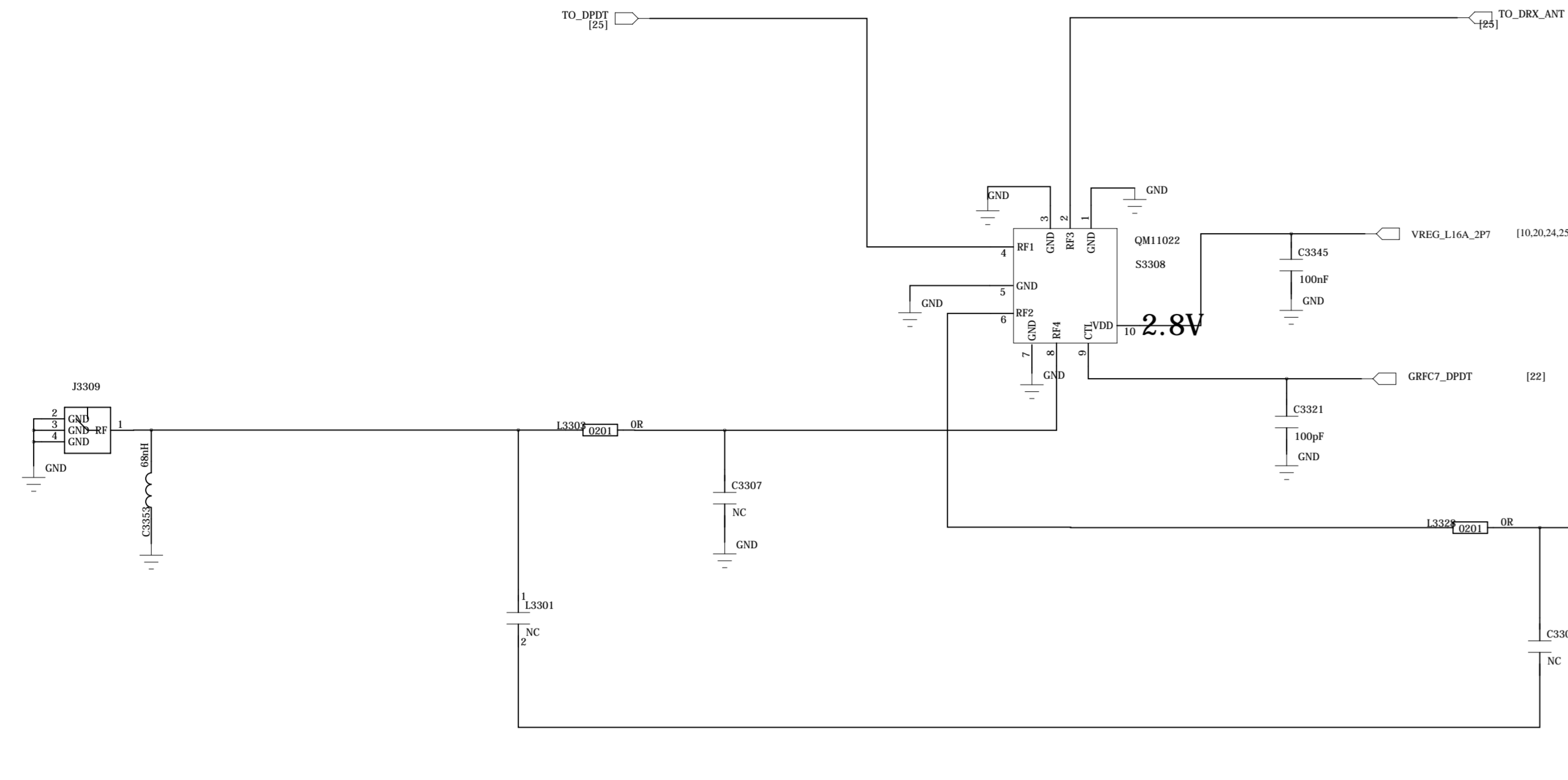


عليه السلام
 طاهر بن فريوق
 الهارد طب نوك

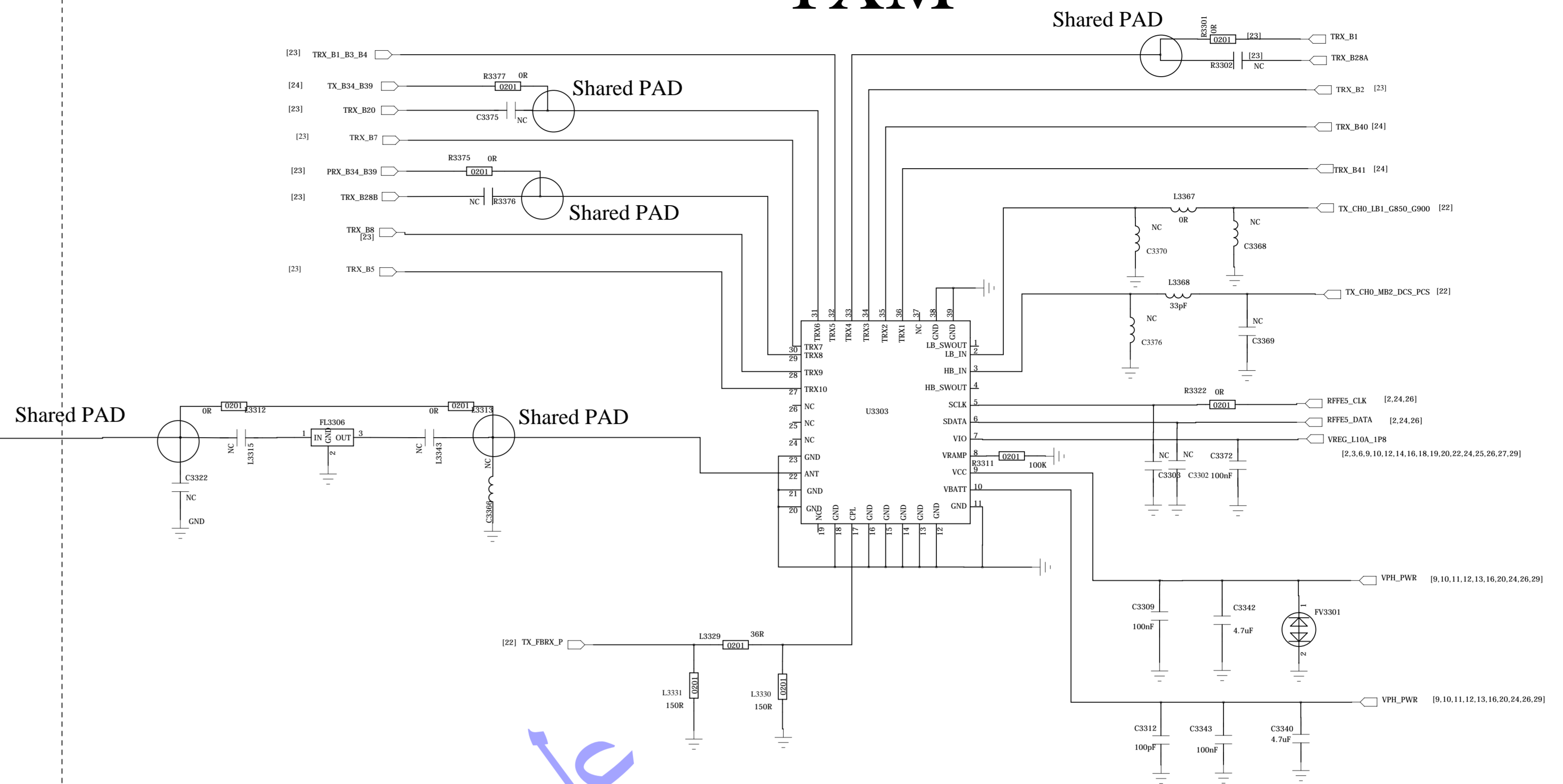
COMPANY:		<Company Name>	
TITLE:		20_LTE_DUPLEXER	
CODE:	SIZE:	DRAWING NO.:	REV:
<Code>	A0	<Drawing Number>	<Revision>
DRAWN:	DATE:	CHECKED:	DATE:
LiuMengya	-Drawn Date-		
DATE:	CHECKED DATE:	SCALE:	SCALE:
SHEET: 23		80	

REVISION RECORD			
ITER	ECO NO.	APPROVED	DATE

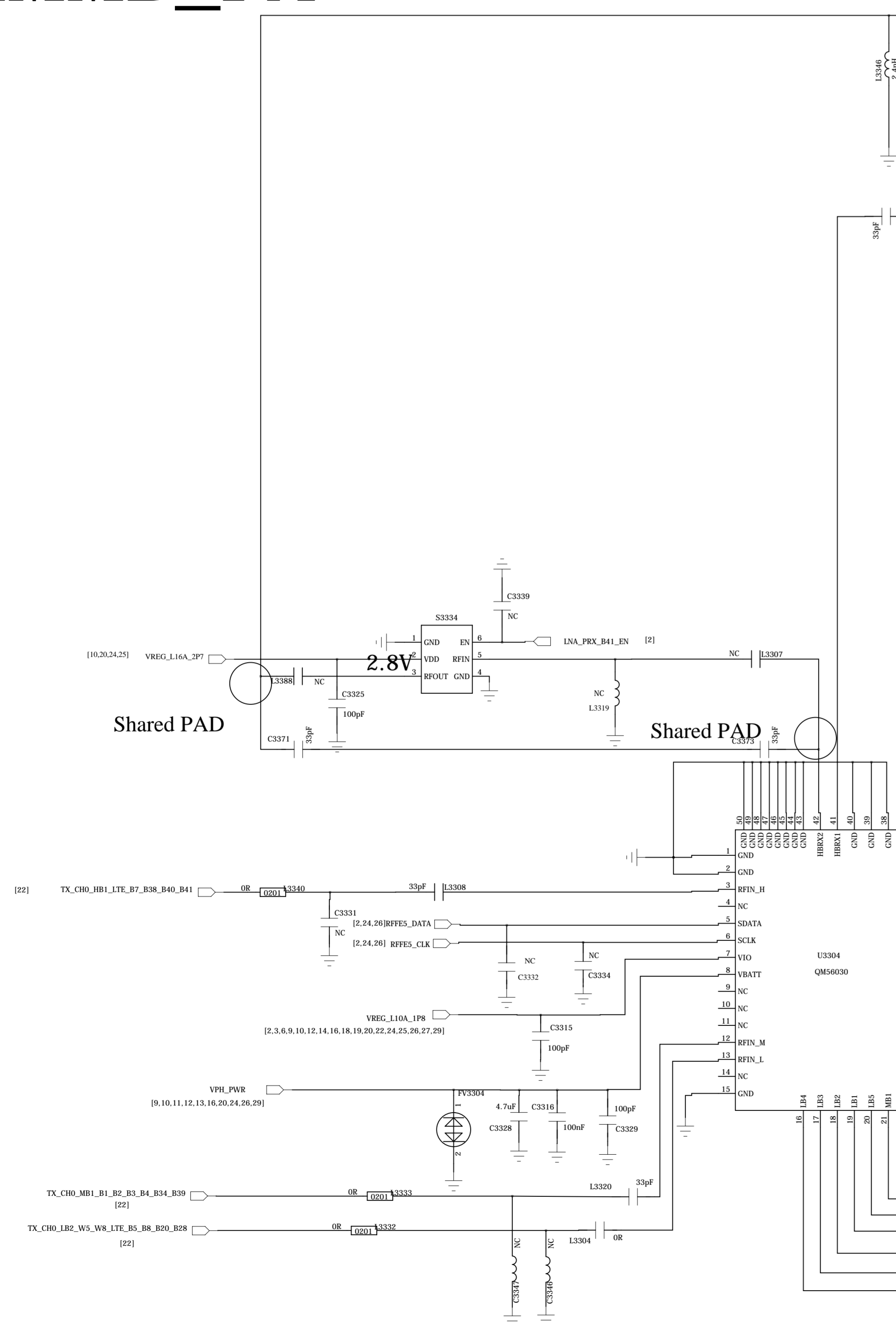
DPDT



TXM



MMMB_PA



PRX_B41

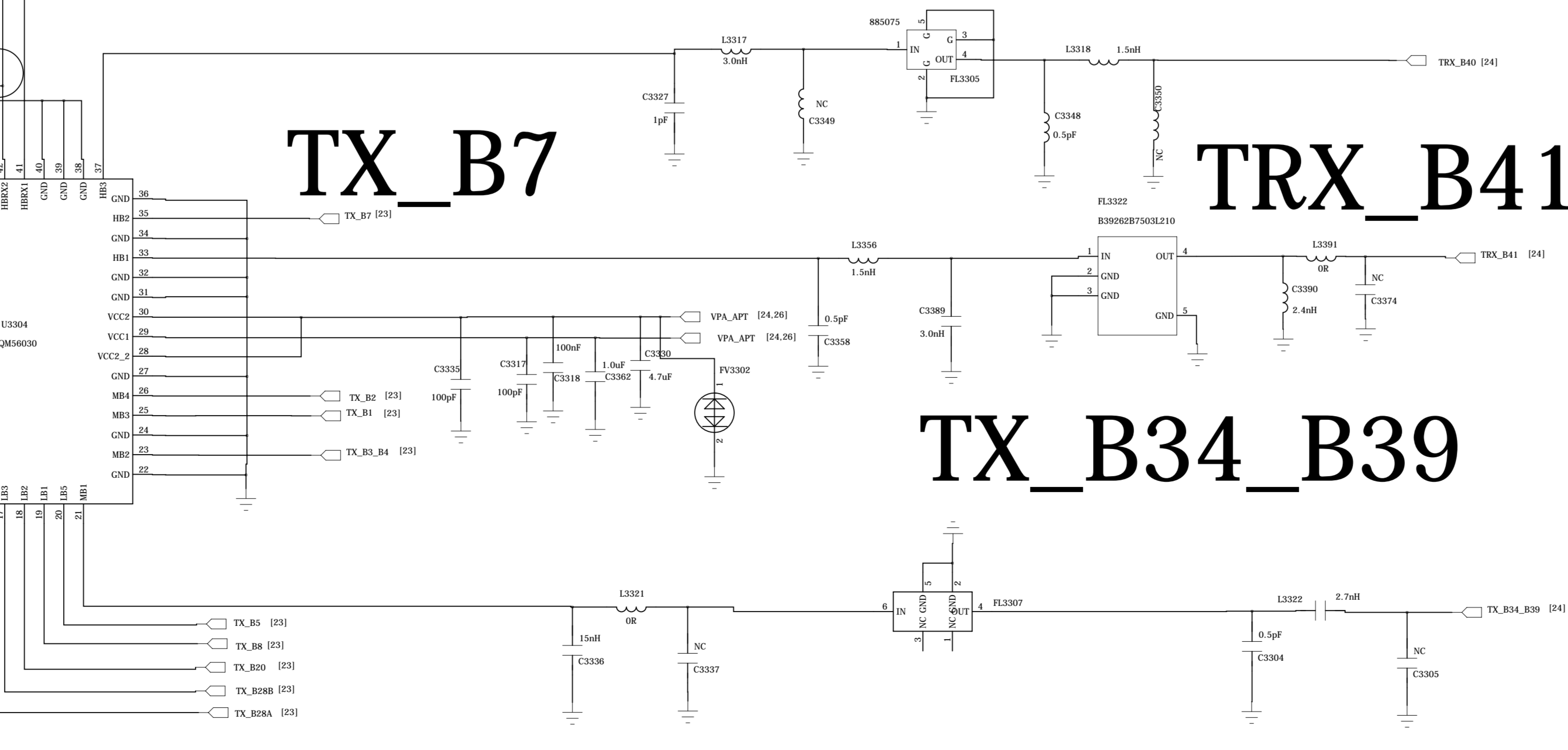
PRX_B40

TRX_B40

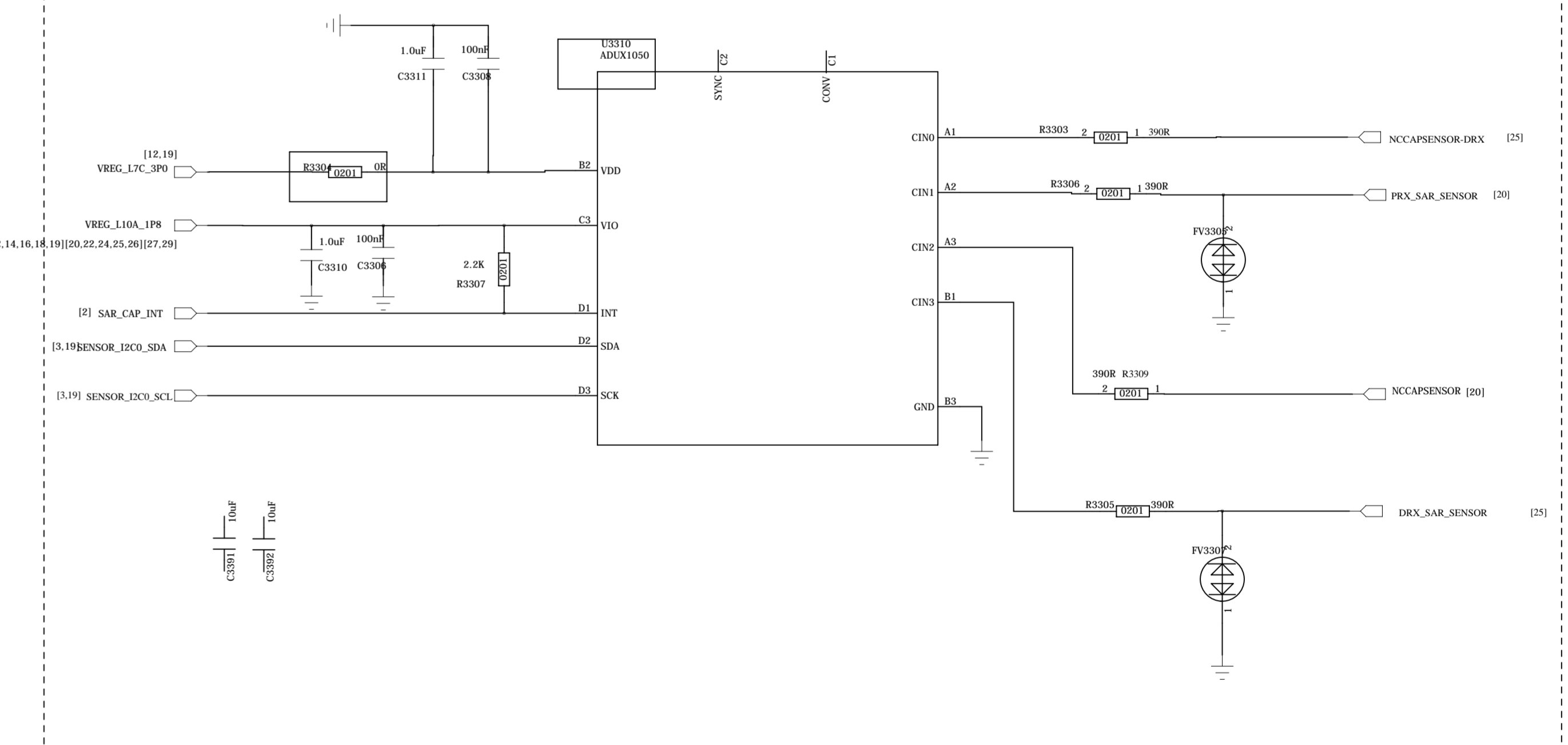
TX_B7

TRX_B41

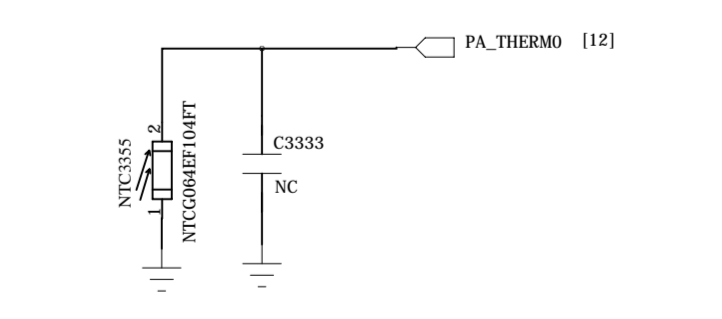
TX_B34_B39



SAR_SENSOR



PA_THERMO

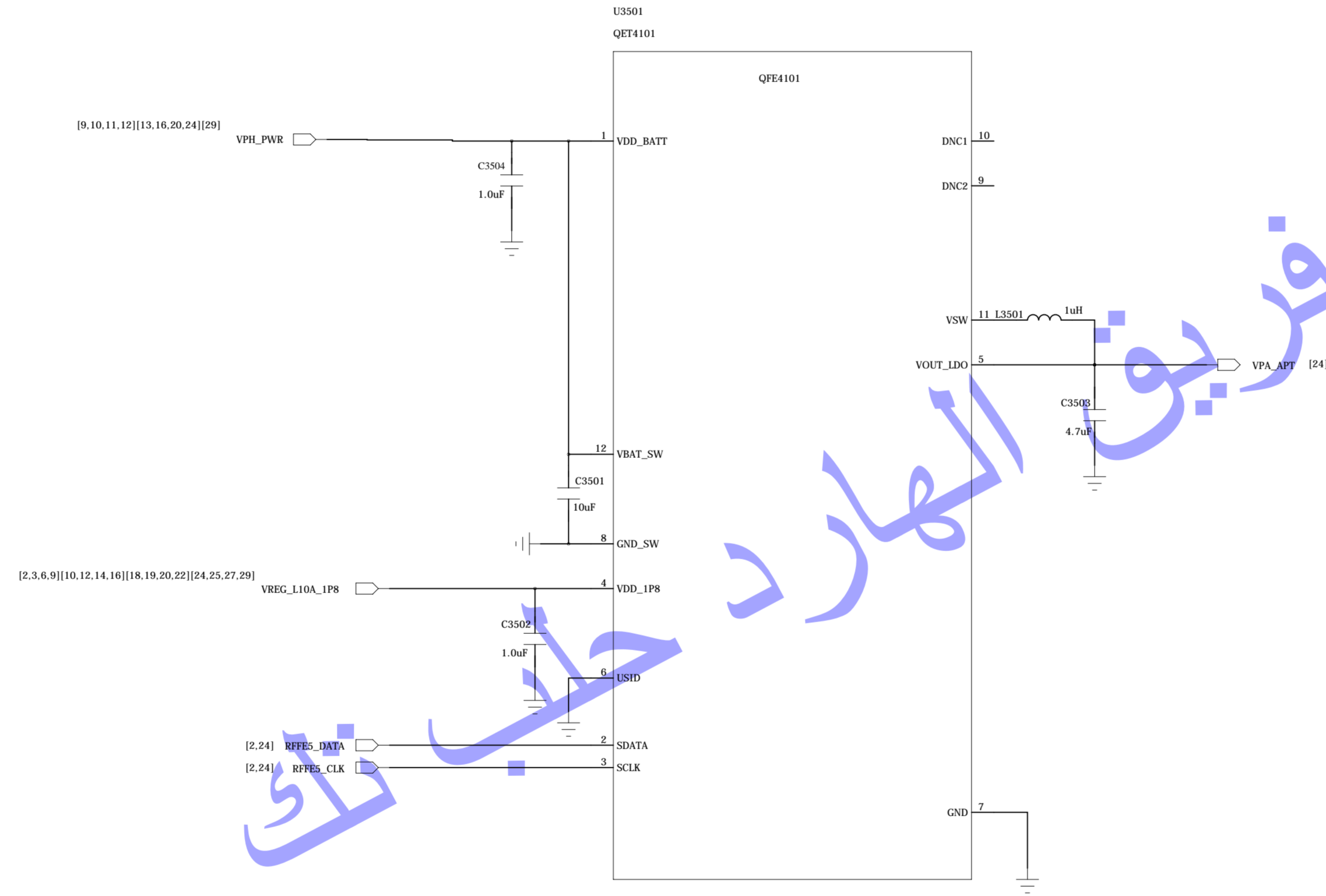


علي البجر فريق الهاردوير

COMPANY: <Company Name>		TITLE: <Title>	
DRAWN: <Drawn By>	DATE: <Drawn Date>	CODE: <Code>	SIZE: <Scale>
CHECKED: <Checked By>	DATE: <Checked Date>	CODE: <Code>	SIZE: <Scale>
QUALITY CONTROL: <QC By>	DATE: <QC Date>	DRAWING NO. <Drawing Number>	
RELEASED: <Released By>	DATE: <Release Date>	REV: <Revision>	

REVISION RECORD			
LT#	REV. NO.	APPROVED	DATE

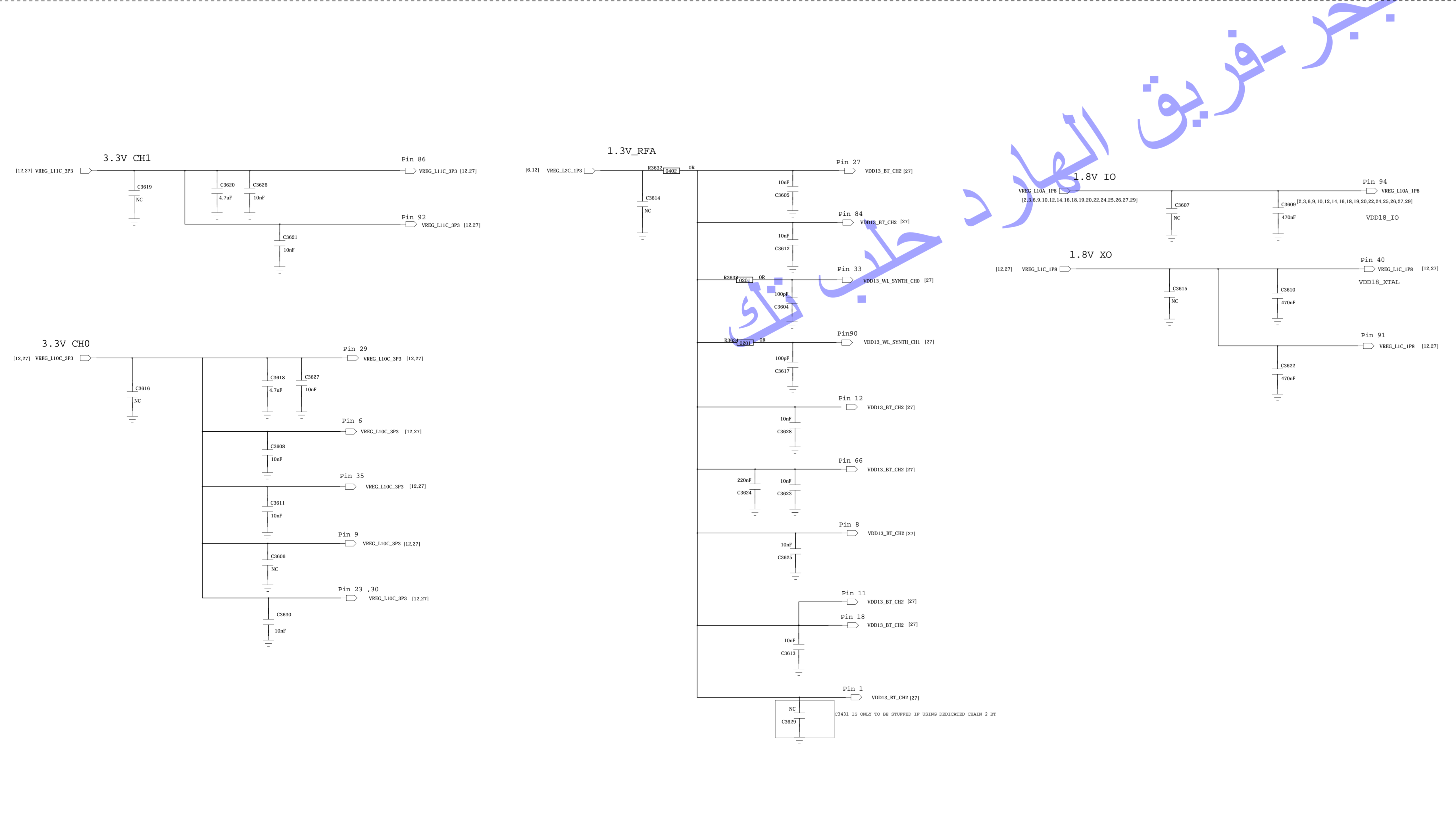
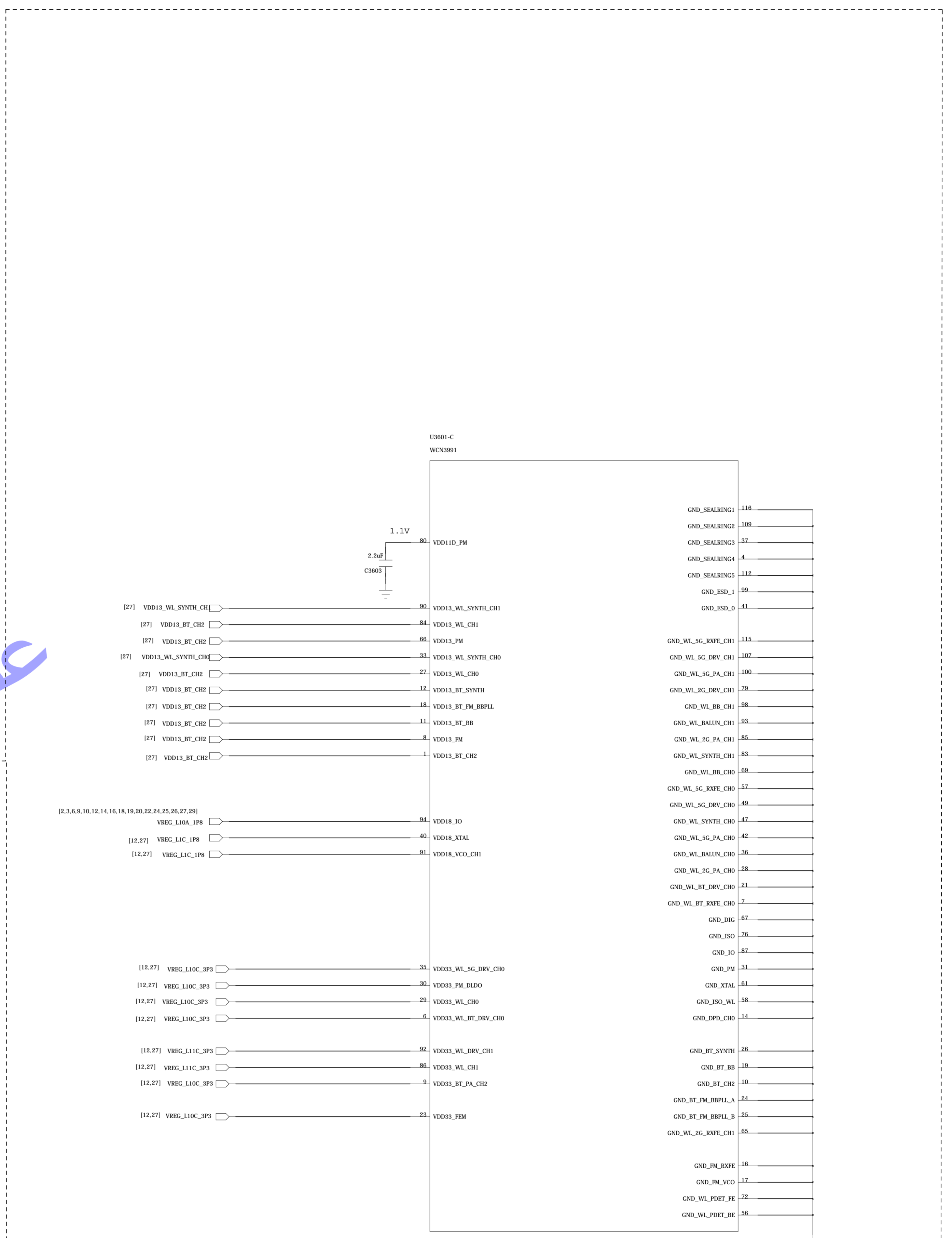
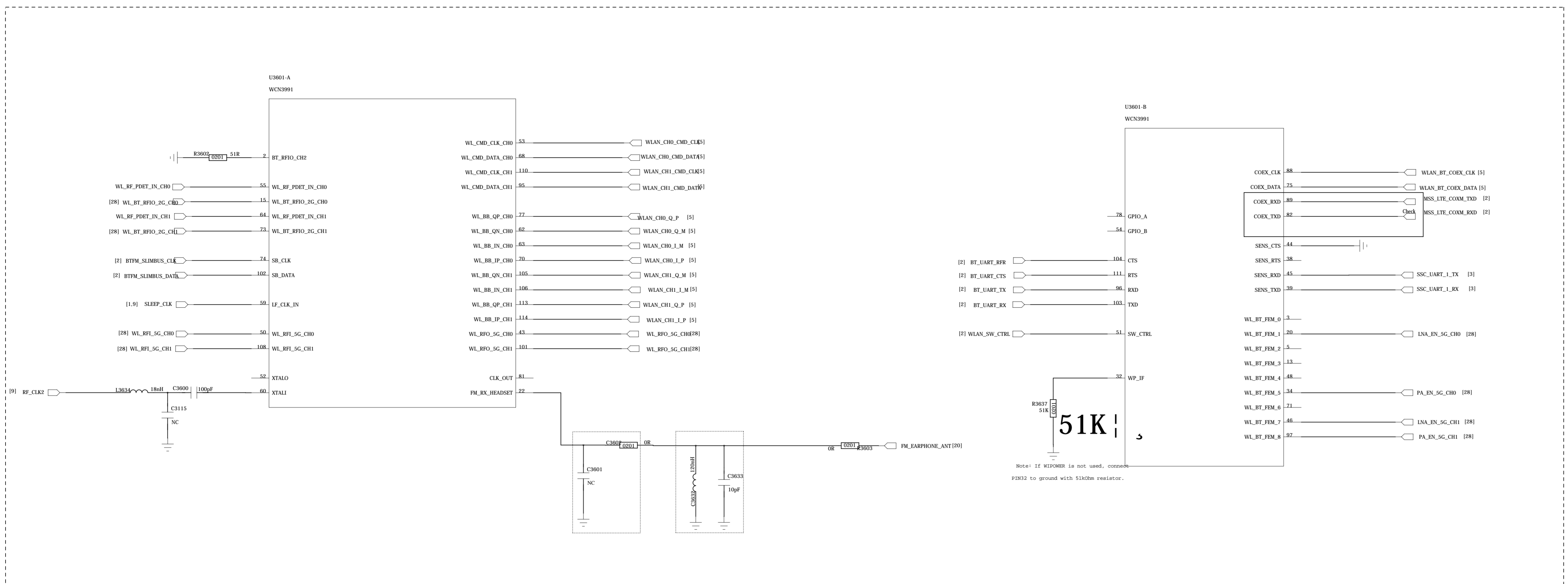
APT



علي البجر فريق الهارد جاب نك

DRAWN:		DATED:		COMPANY:		DRAWING NO.		REV.	
<Drawn By>		<Drawn Date>		<Company Name>					
CHECKED:		DATE:		TITLE:					
<Checked By>		<Checked Date>		<Title>					
QUALITY CONTROL:		DATE:		CODE:		SIZE:		SCALE:	
<QC By>		<QC Date>		<Code>		A0		Drawing Number Revision	
RELEASED:		DATE:		SCALE:				SHEET: 28 30	
<Released By>		<Release Date>		<Scale>					

REVISION RECORD			
LT#	REV NO	APPROVED	DATE



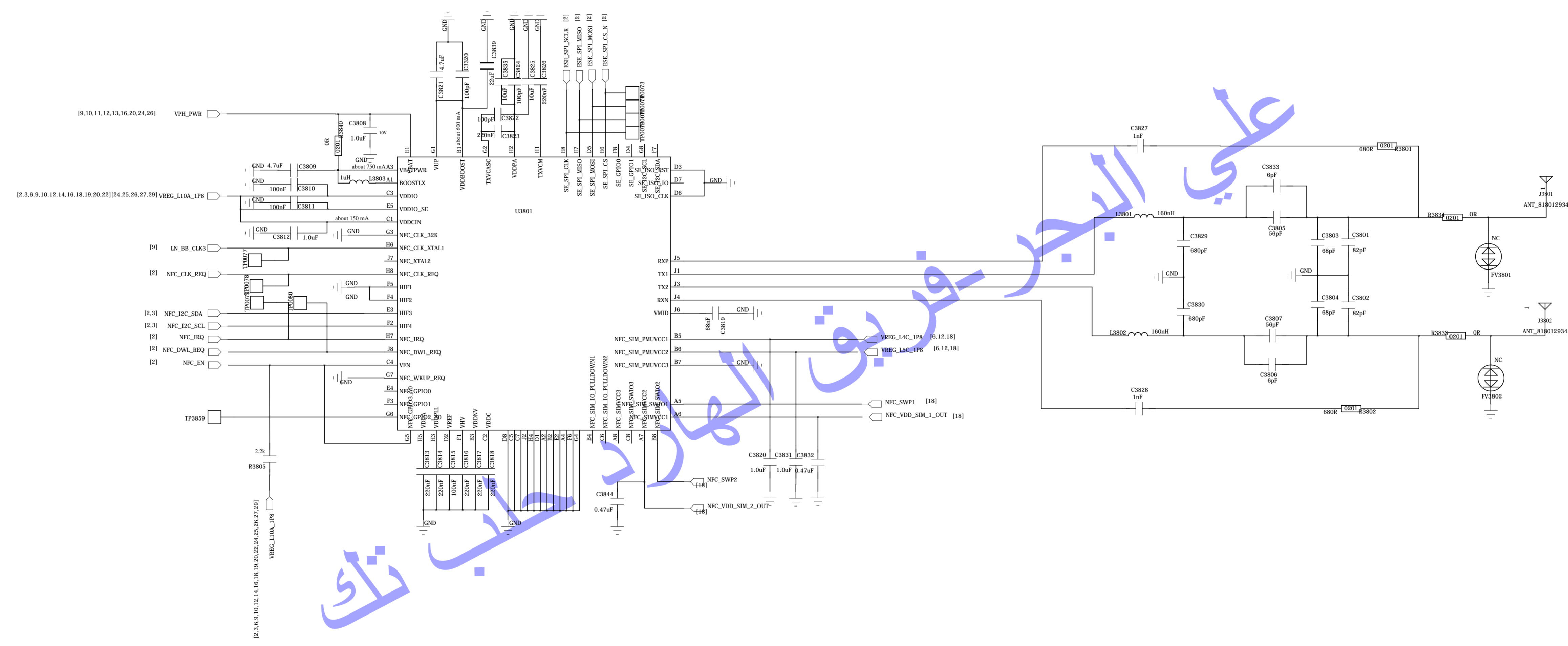
علي البجر فريق الهارد

COMPANY: <Company Name>	
TITLE: <Title>	
DRAWN: <Drawn By>	DATE: <Drawn Date>
CHECKED: <Checked By>	DATE: <Checked Date>
QUALITY CONTROL: <QC By>	DATE: <QC Date>
RELEASED: <Released By>	DATE: <Release Date>

CODE: <Code>	SIZE: <Scale>	DRAWING NO: <Drawing Number>	REV: <Revision>
A00-Drawing Number Revision			
SHEET: 28			TOTAL: 30

REVISION RECORD			
ITR	ECO NO.	APPROVED	DATE

NFC



علي الجبر
مفتي
طالب نظام

DRAWN: <Drawn By>		DATE: <Drawn Date>		COMPANY: <Company Name>		TITLE: <Title>	
CHECKED: <Checked By>	DATE: <Checked Date>	CODE: <Code>	SIZE: A0	DRAWING NO: <Drawing Number>	REV: <Revision>	SCALE: <Scale>	
QUALITY CONTROL: <QC By>	DATE: <QC Date>	SHEET: 29		30			
RELEASED: <Released By>	DATE: <Release Date>						

A1-B1

1.LCD POWER change to L18A

2.del R3308

REVISION RECORD			
ITK	ECO NO	APPROVED	DATE

علي البجر فريق الهارد طب نك

COMPANY: <Company Name>

TITLE: <Title>

DRAWN: <Drawn By>	DATE: <Drawn Date>	CODE:	SIZE:	DRAWING NO:	REV:
CHECKED: <Checked By>	DATE: <Checked Date>	< Code >	A0<Drawing Number	Revision>	
QUALITY CONTROL: <QC By>	DATE: <QC Date>				
RELEASED: <Released By>	DATE: <Release Date>	SCALE: <Scale>			SHEET 30 30